



US00D651175S

(12) **United States Design Patent**  
**Liang-Hsu et al.**

(10) **Patent No.:** **US D651,175 S**  
(45) **Date of Patent:** **\*\* Dec. 27, 2011**

- (54) **SOCKET WITH A PULL RING**
- (76) Inventors: **Kuo Liang-Hsu**, New Taipei (TW);  
**Susan James**, Pomona, CA (US); **Zheng Wei**, Dongguan (CN)
- (\*\*) Term: **14 Years**
- (21) Appl. No.: **29/391,334**
- (22) Filed: **May 6, 2011**
- (51) **LOC (9) Cl.** ..... **13-03**
- (52) **U.S. Cl.** ..... **D13/139.1**
- (58) **Field of Classification Search** ..... D13/138.1,  
D13/138.2, 139.1–139.8, 137.1–137.4, 133,  
D13/107, 108, 110, 146, 147, 154, 174, 177;  
D8/353, 350; 363/15, 34, 146; 439/93, 105,  
439/106, 535, 620.15, 620.21, 620.3, 620.31,  
439/907, 908, 919, 650, 651, 652, 653, 654,  
439/655, 692; 174/494, 53, 55, 59, 66; 320/111,  
320/114, 115; 307/150, 151  
See application file for complete search history.

- D242,464 S 11/1976 Acosta
- 4,042,292 A 8/1977 Chensky
- 4,210,377 A 7/1980 La Voque
- 4,307,924 A 12/1981 Gibbs
- D270,628 S 9/1983 Bobrovniczky
- D294,018 S 2/1988 Poliak
- 4,778,400 A 10/1988 Jacobs
- D301,462 S 6/1989 Drew
- D348,431 S 7/1994 Hoffman et al.
- D349,276 S 8/1994 Hoffman et al.
- D355,162 S 2/1995 Karman
- 5,409,397 A 4/1995 Karman
- D360,401 S 7/1995 Chen
- 5,551,882 A 9/1996 Whiteman, Jr. et al.

(Continued)

*Primary Examiner* — Angela J Lee  
(74) *Attorney, Agent, or Firm* — John K. Buche; Buche & Associates, P.C.

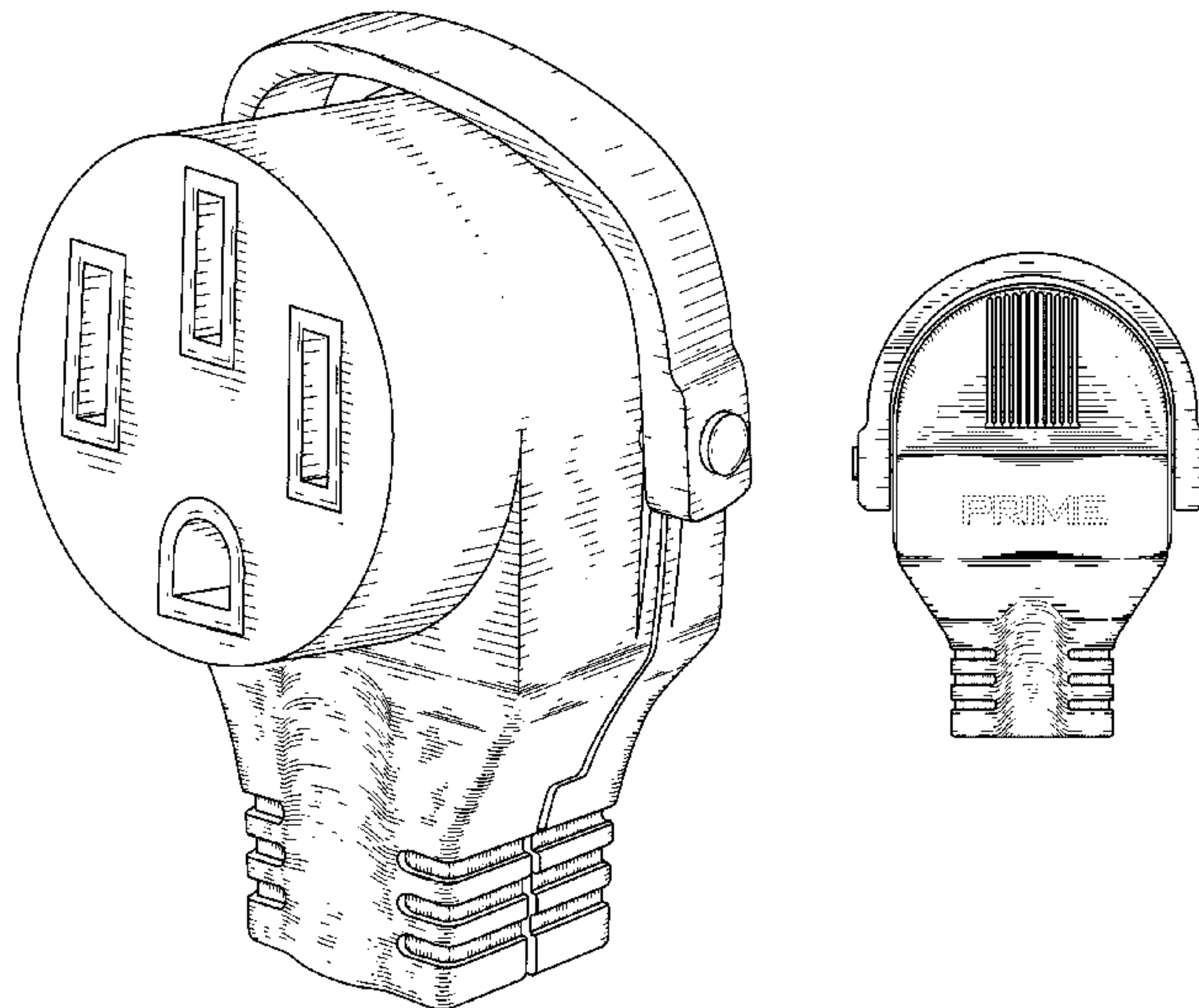
(57) **CLAIM**  
The ornamental design for socket with a pull ring, as shown and described.

**DESCRIPTION**

FIG. 1 is a perspective view of a socket with a pull ring. FIG. 2 is a front view of the socket with a pull ring of FIG. 1. FIG. 3 is a back view of the socket with a pull ring of FIG. 1. FIG. 4 is a top view of the socket with a pull ring of FIG. 1. FIG. 5 is a bottom view of the socket with a pull ring of FIG. 1. FIG. 6 is a left side view of the socket with a pull ring of FIG. 1; and, FIG. 7 is a right side view of the socket with a pull ring of FIG. 1. In the figures, trademarks are shown in dashed lines and do not form part of the claimed design. The portions of the socket with a pull ring shown in broken lines form no part of the claimed design.

**1 Claim, 3 Drawing Sheets**

- (56) **References Cited**
- U.S. PATENT DOCUMENTS
- 1,714,763 A 5/1929 Boysen
- 1,749,623 A 3/1930 Zinman
- D88,337 S 11/1932 Massey
- 2,030,115 A 2/1936 Muldoor
- 2,224,547 A 12/1940 Ludwig
- D148,105 S 12/1947 Gossard
- D155,149 S 9/1949 Gossard
- 2,507,092 A 5/1950 Cline
- D159,196 S 7/1950 Englar
- D179,343 S 12/1956 Gombar
- D185,163 S 5/1959 Miller
- 2,977,564 A 3/1961 Civitelli et al.
- 3,008,115 A 11/1961 Oakes
- 3,160,947 A 12/1964 Sunderlin
- 3,431,535 A 3/1969 Munyon
- D241,649 S 9/1976 Andersen, Jr.



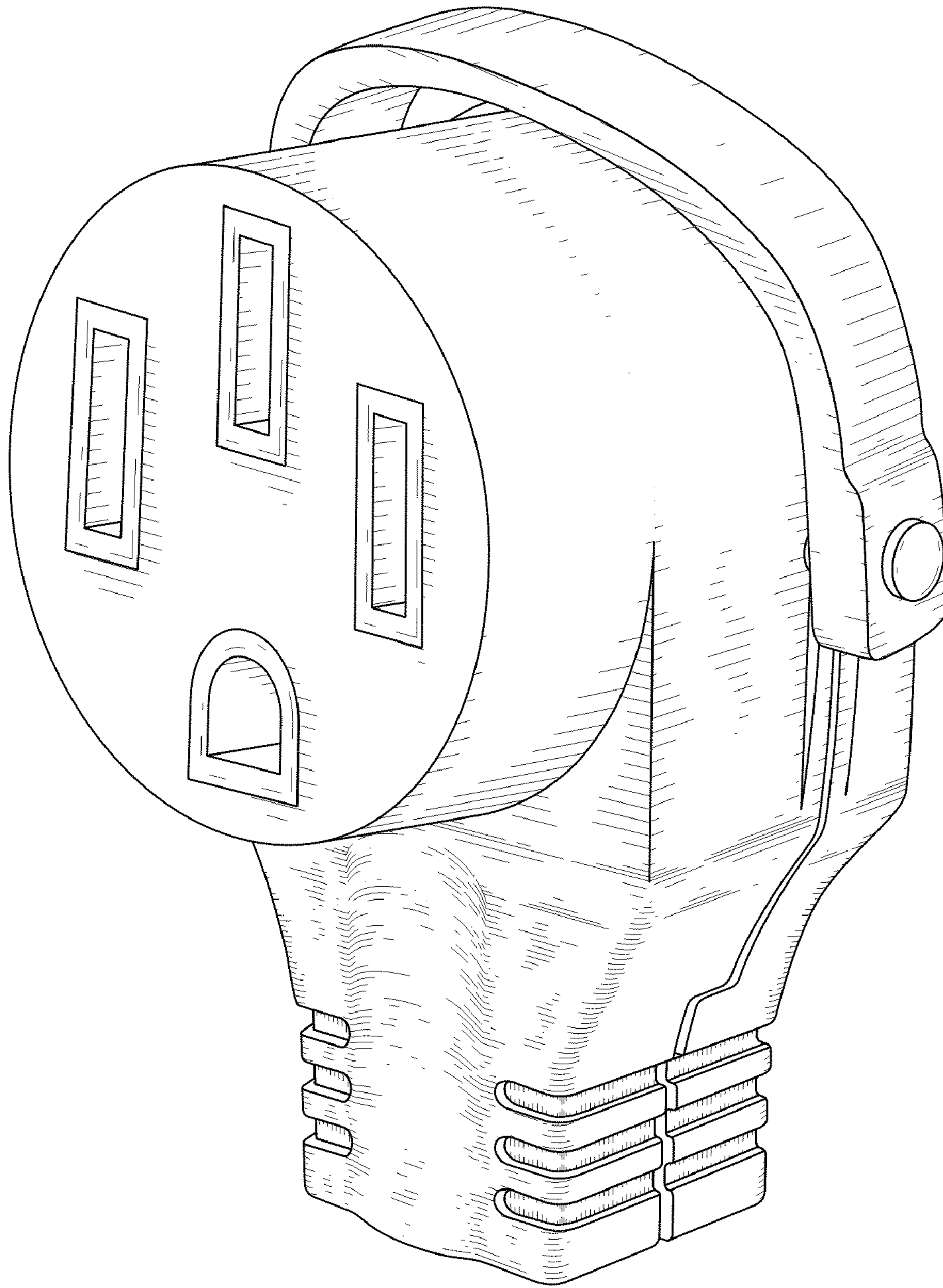
# US D651,175 S

Page 2

## U.S. PATENT DOCUMENTS

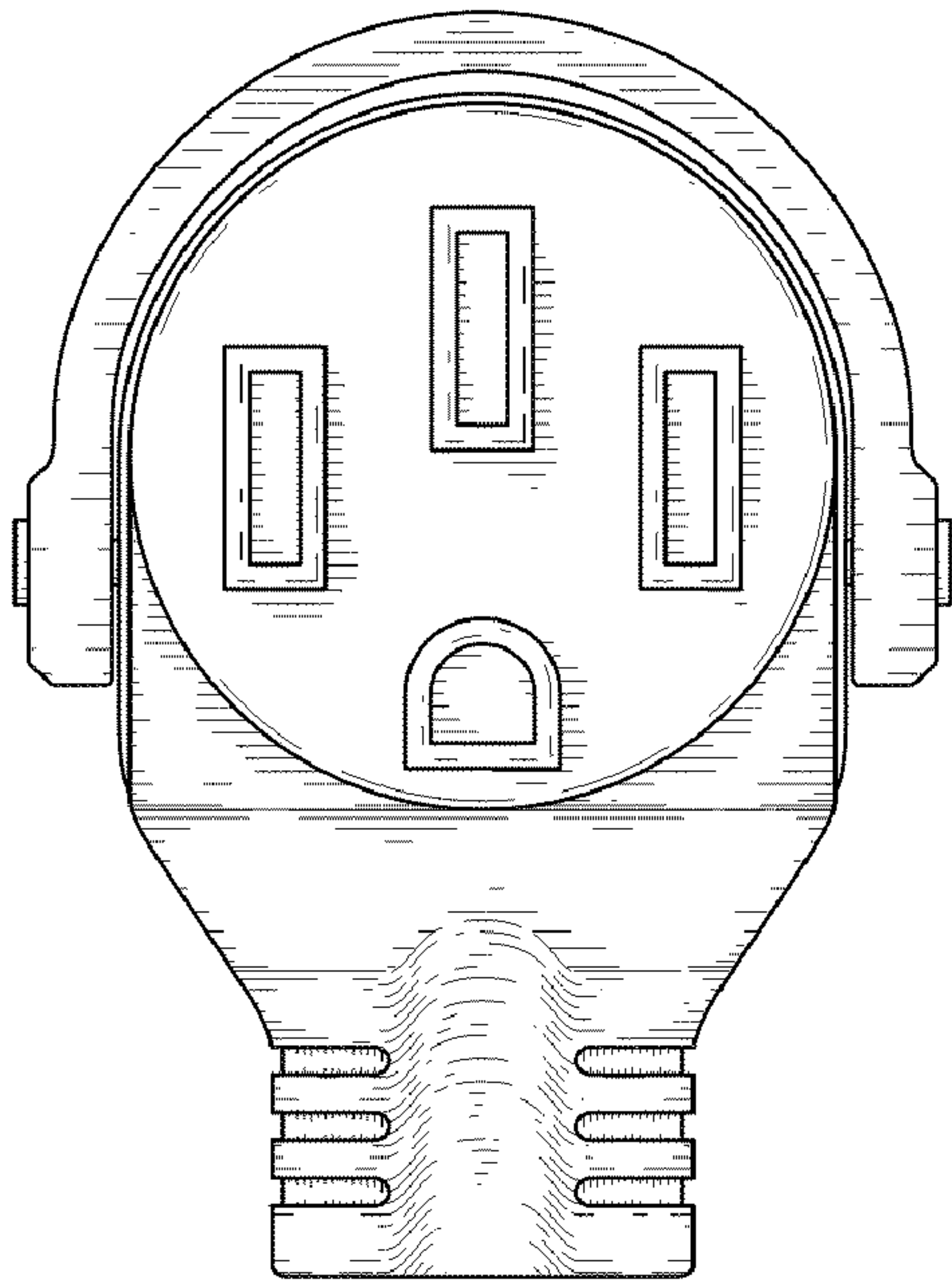
5,567,181	A	10/1996	Lentz et al.				
D375,291	S	11/1996	Cheung				
D375,720	S	11/1996	Cheung				
5,591,043	A	1/1997	Kenney				
D379,964	S *	6/1997	Maddock et al.	.....	D13/138.1		
5,679,014	A	10/1997	Lan-Jen				
5,752,850	A	5/1998	Ziegler				
D401,556	S *	11/1998	Stekelenburg	.....	D13/138.2		
D404,984	S	2/1999	Skinner				
D405,759	S	2/1999	Carmo et al.				
D409,567	S	5/1999	Carmo et al.				
D413,570	S	9/1999	Intveld				
D421,960	S *	3/2000	Savicki et al.	.....	D13/138.2		
6,071,142	A	6/2000	Blackman				
D430,848	S	9/2000	Davi et al.				
D431,027	S	9/2000	Armstrong				
D445,090	S	7/2001	Payne et al.				
D467,545	S *	12/2002	Wang	.....	D13/138.1		
D474,744	S	5/2003	Wu				
D483,723	S	12/2003	Adachi et al.				
D485,239	S	1/2004	Whalin et al.				
D492,254	S	6/2004	Nakashima et al.				
D511,748	S	11/2005	Caine				
6,986,665	B2	1/2006	Schauz et al.				
7,052,309	B1	5/2006	Chen				
7,063,558	B1	6/2006	Chen				
D537,410	S *	2/2007	Yuen	.....	D13/110		
7,179,105	B1	2/2007	Hung				
D549,650	S	8/2007	Russell et al.				
D549,651	S	8/2007	Mancari et al.				
7,255,568	B1	8/2007	Wu				
D553,570	S *	10/2007	Peck	.....	D13/138.2		
D559,184	S	1/2008	Russel et al.				
D562,766	S *	2/2008	Yang	.....	D13/110		
D564,964	S	3/2008	Caine et al.				
D576,552	S	9/2008	Caine et al.				
D586,296	S *	2/2009	Liu	.....	D13/138.2		
D592,139	S *	5/2009	Wu	.....	D13/138.2		
D592,141	S	5/2009	Mancari et al.				
D594,417	S	6/2009	Ho'o et al.				
D602,434	S	10/2009	Mancari et al.				
D613,248	S	4/2010	Wu				
D635,515	S *	4/2011	Atwell et al.	.....	D13/138.2		
D638,359	S *	5/2011	Atwell et al.	.....	D13/138.2		
2007/0032109	A1	2/2007	Hung				

\* cited by examiner

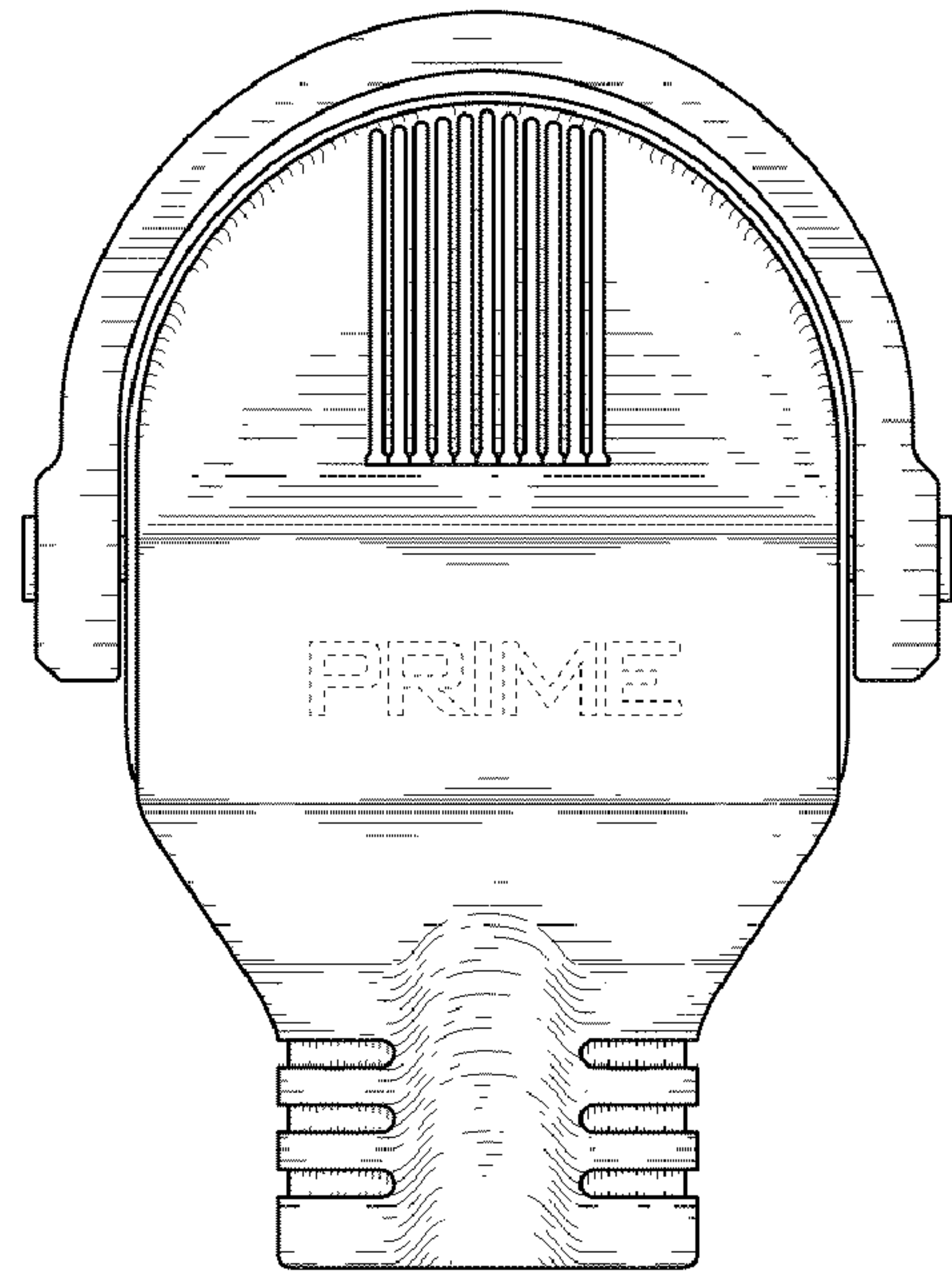


**FIG. 1**

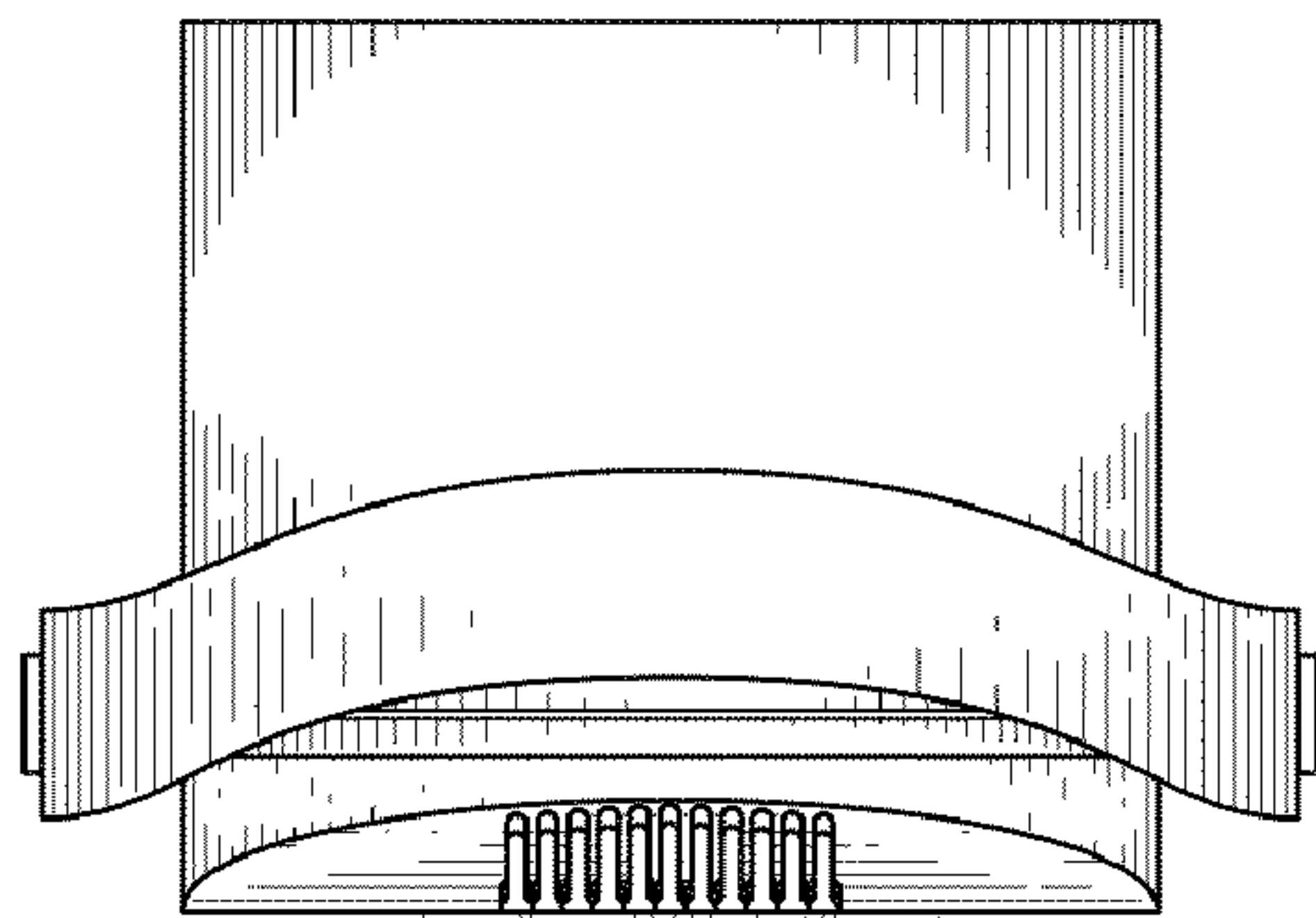




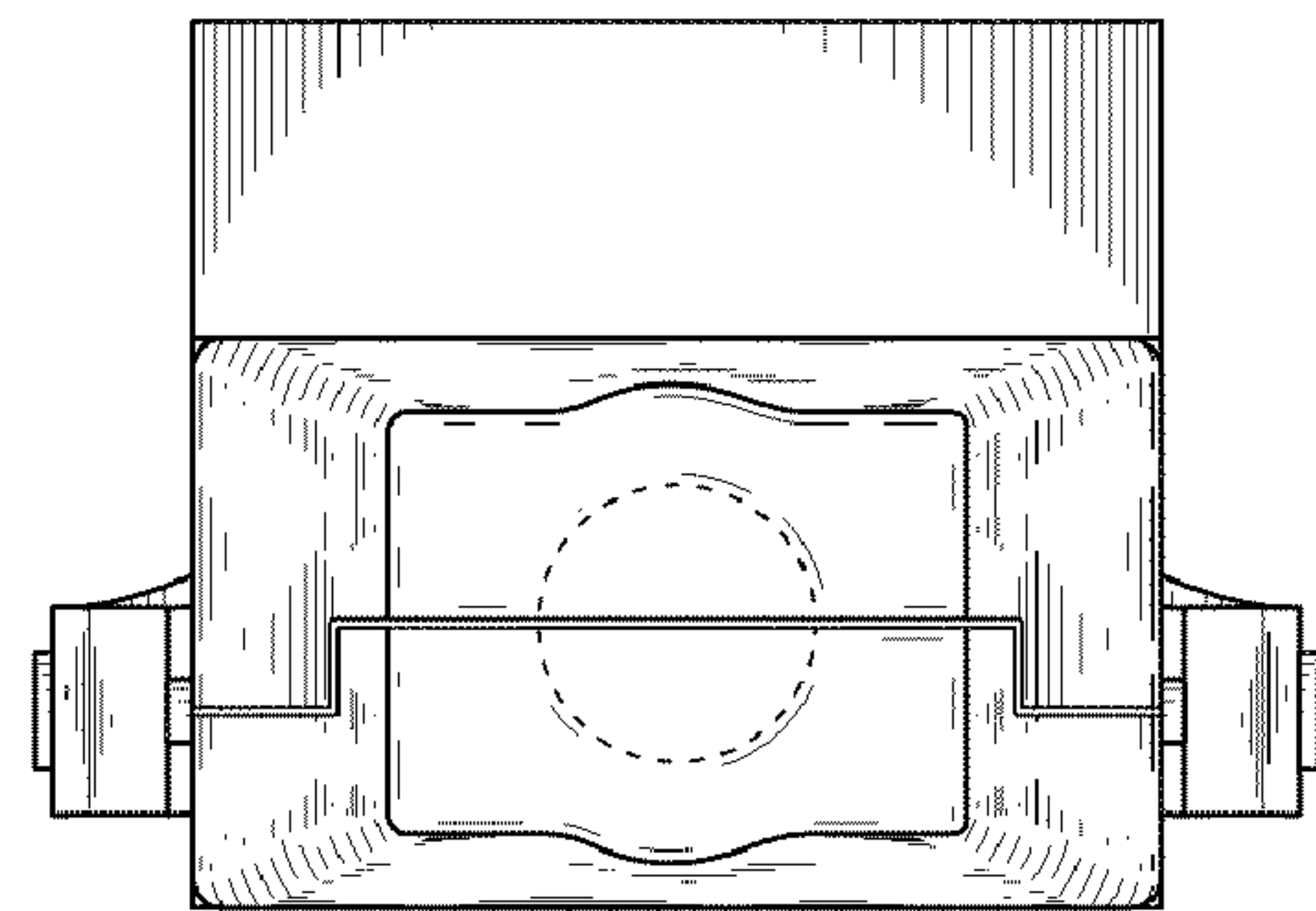
**FIG. 2**



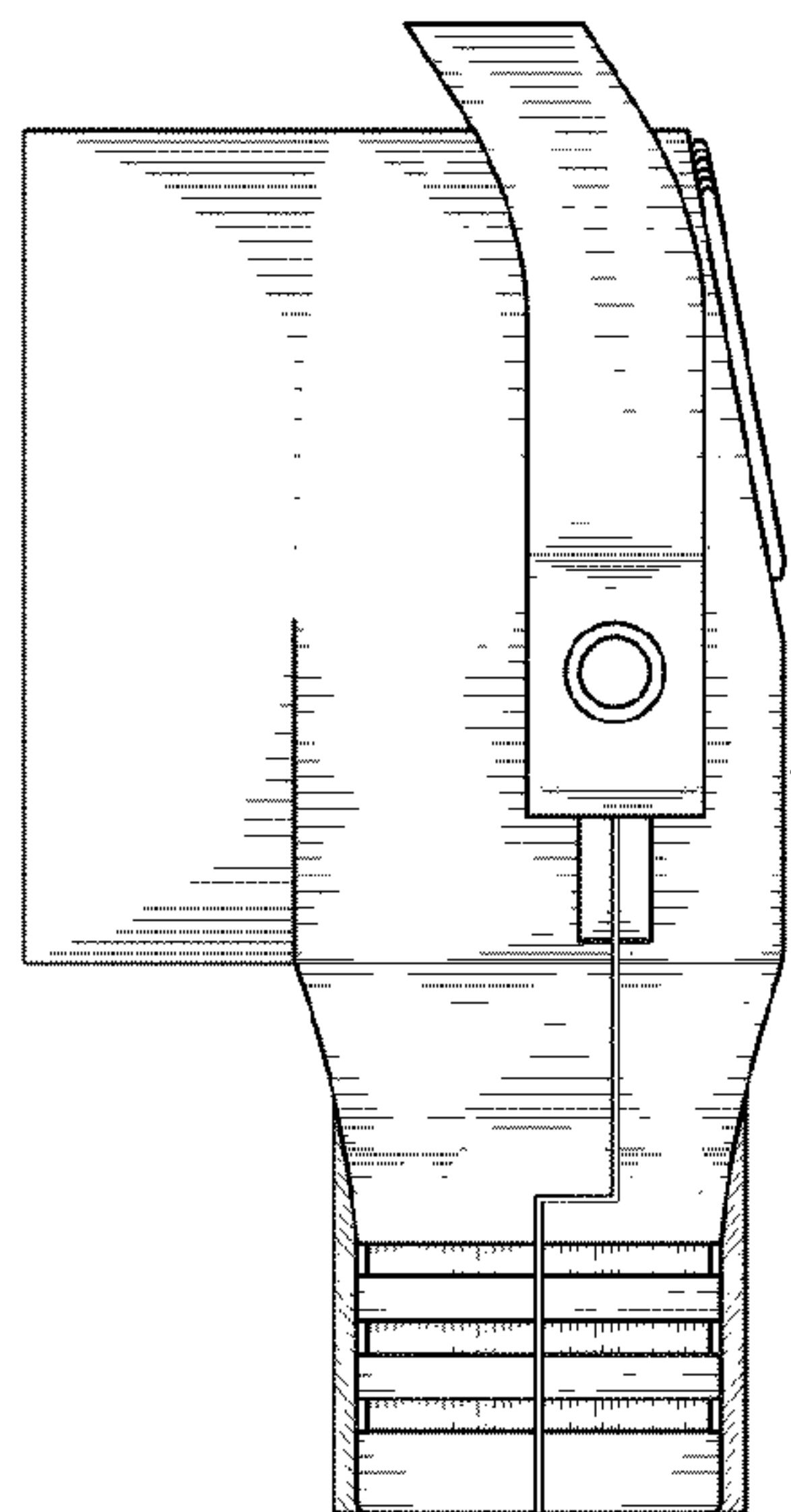
**FIG. 3**



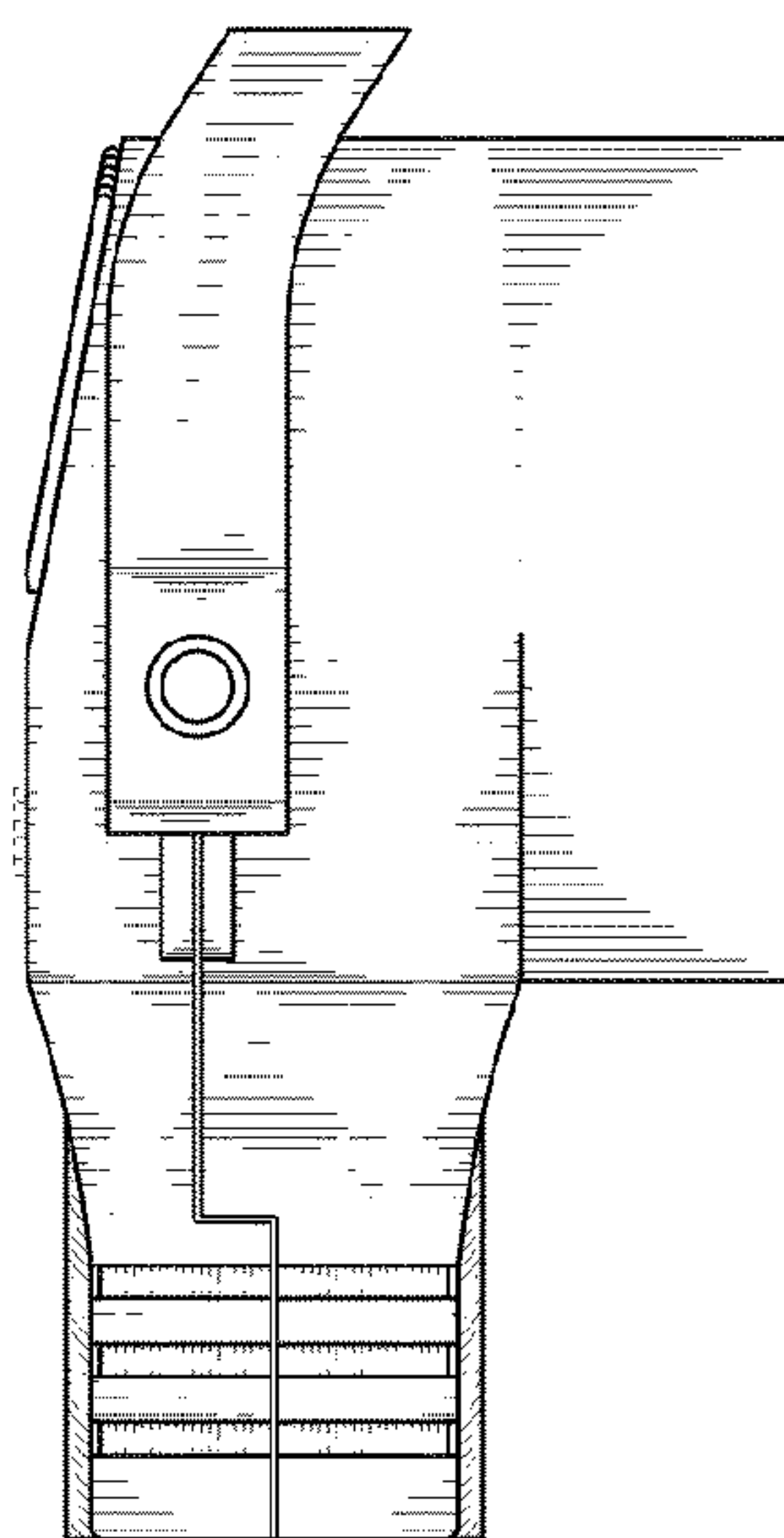
**FIG. 4**



**FIG. 5**



**FIG. 6**



**FIG. 7**