



US00D651173S

(12) **United States Design Patent**
Osada et al.

(10) **Patent No.:** **US D651,173 S**

(45) **Date of Patent:** **** Dec. 27, 2011**

(54) **LAMP SOCKET**

(75) Inventors: **Takeshi Osada**, Yokosuka (JP); **Shigeru Osawa**, Yokosuka (JP); **Yuichiro Takahara**, Yokosuka (JP); **Toshifumi Masuda**, Yokosuka (JP); **Karl-Wilhelm Vogt**, Arnsberg (DE); **Freddi Plikun**, Arnsberg (DE)

(73) Assignees: **Toshiba Lighting & Technology Corp.**, Kanagawa (JP); **BJB GmbH & Co. KG**, Arnsberg (DE)

(**) Term: **14 Years**

(21) Appl. No.: **29/382,192**

(22) Filed: **Dec. 30, 2010**

(51) **LOC (9) Cl.** **13-03**

(52) **U.S. Cl.** **D13/134**

(58) **Field of Classification Search** D13/123, D13/133, 134, 136, 179; 165/80.3, 104.33, 165/151, 122, 185; 257/706, 707, 718-722; 361/687, 695, 697, 700, 702, 704, 709, 710, 361/711, 719; 362/294

See application file for complete search history.

(56) **References Cited**

U.S. PATENT DOCUMENTS

D602,868	S	*	10/2009	Vogt et al.	D13/134
D602,869	S	*	10/2009	Vogt et al.	D13/134
D623,593	S	*	9/2010	Osada et al.	D13/134
D627,296	S	*	11/2010	Vogt et al.	D13/134

* cited by examiner

Primary Examiner — Thomas Johannes

(74) *Attorney, Agent, or Firm* — Wiley Rein LLP; Scott A. Felder

(57) **CLAIM**

The ornamental design for a lamp socket, as shown and described.

DESCRIPTION

FIG. 1 is a perspective view showing our new design; FIG. 2 is a front elevation view thereof; FIG. 3 is a right side elevation view thereof; FIG. 4 is a left side elevation view thereof; FIG. 5 is a top plan view thereof; FIG. 6 is a rear elevation view thereof; FIG. 7 is a bottom plan view thereof; and, FIG. 8 is a cross sectional view of the lamp socket shown on FIG. 3, taken along line 8-8.

1 Claim, 8 Drawing Sheets

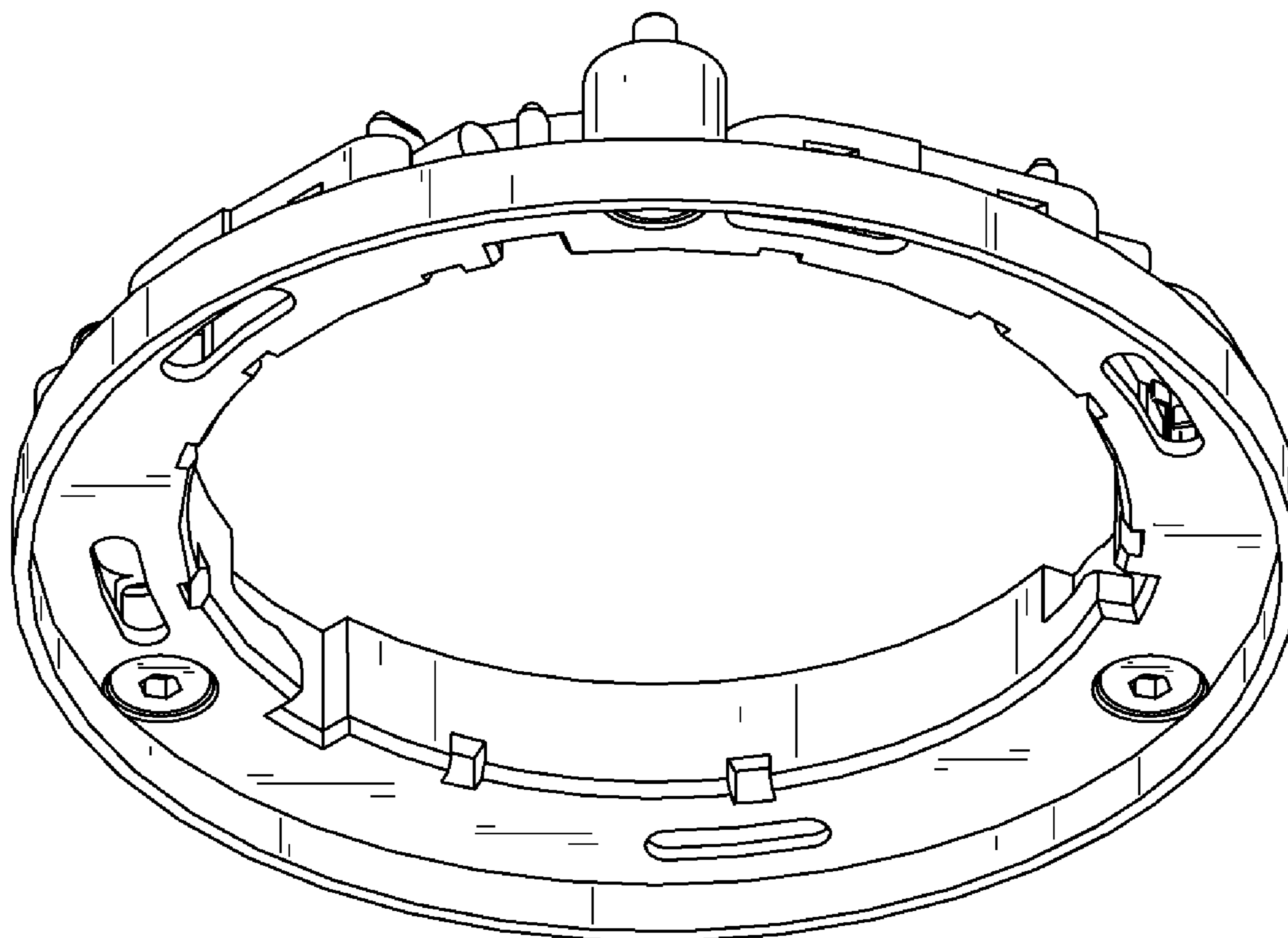


Fig. 1

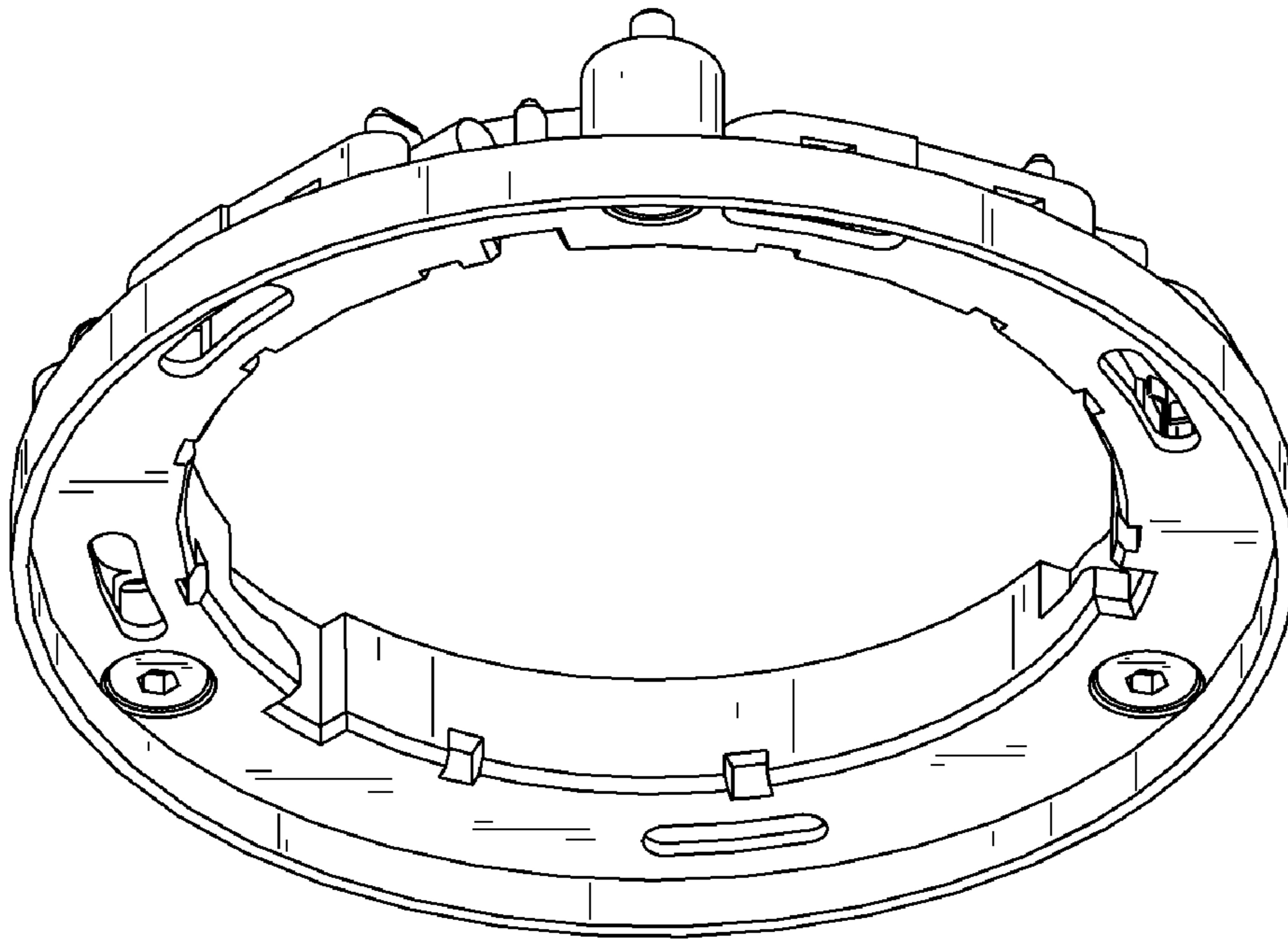


Fig. 2

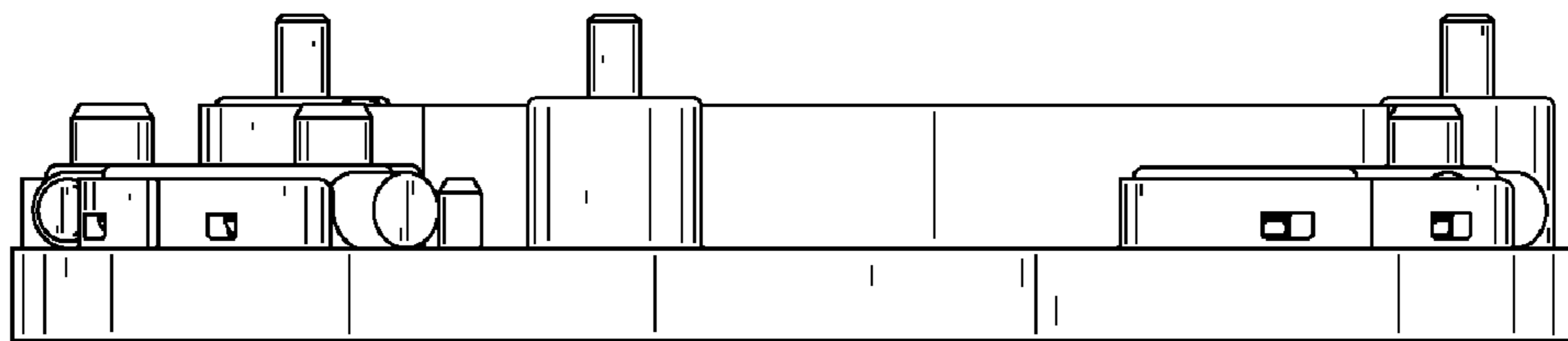


Fig. 3

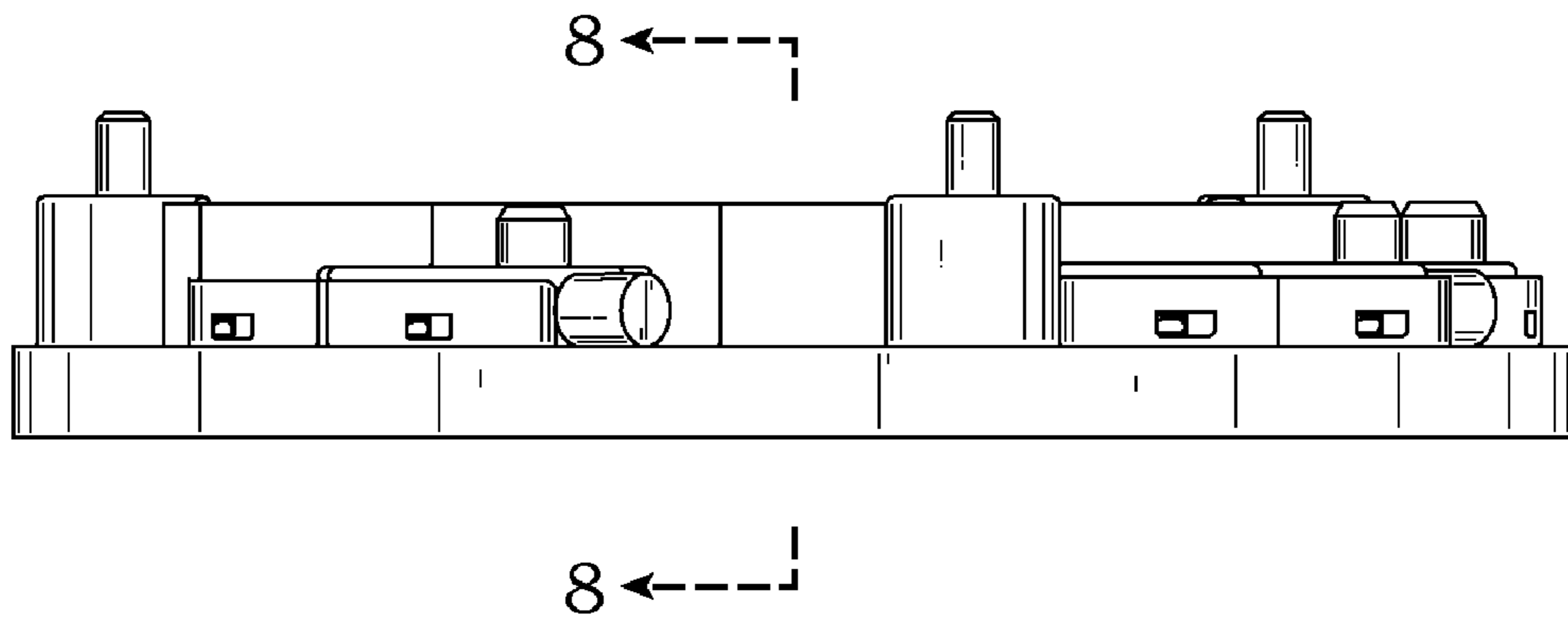


Fig. 4

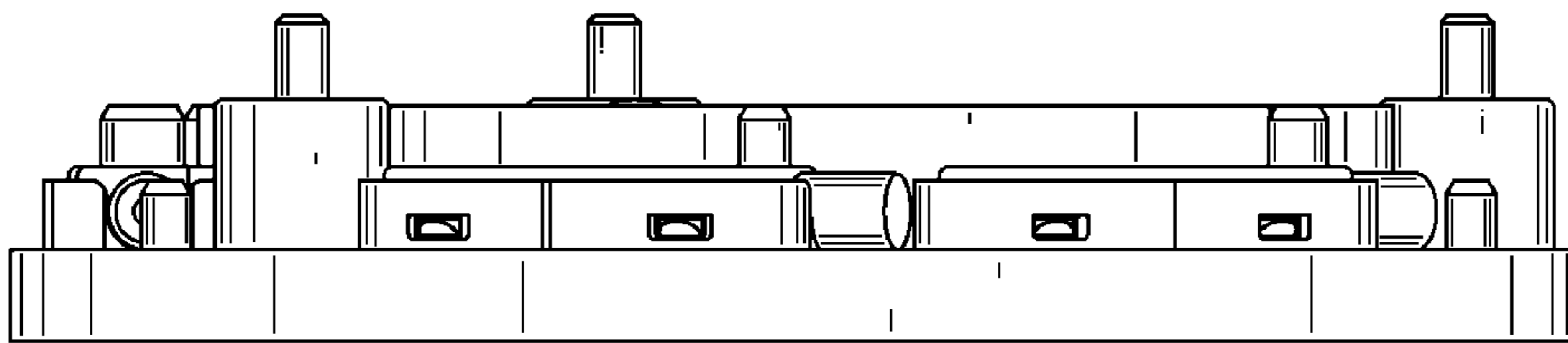


Fig. 5

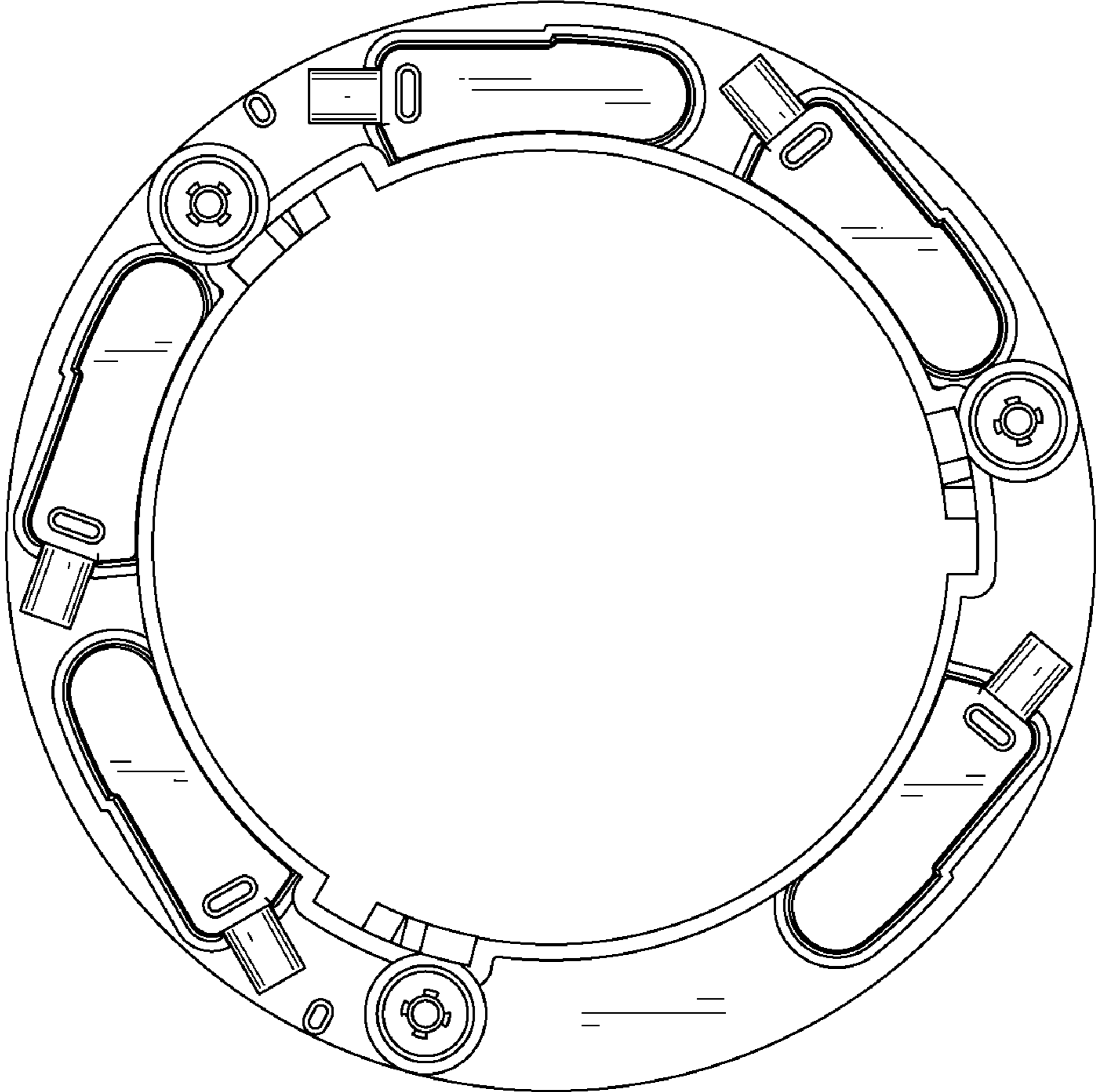


Fig. 6

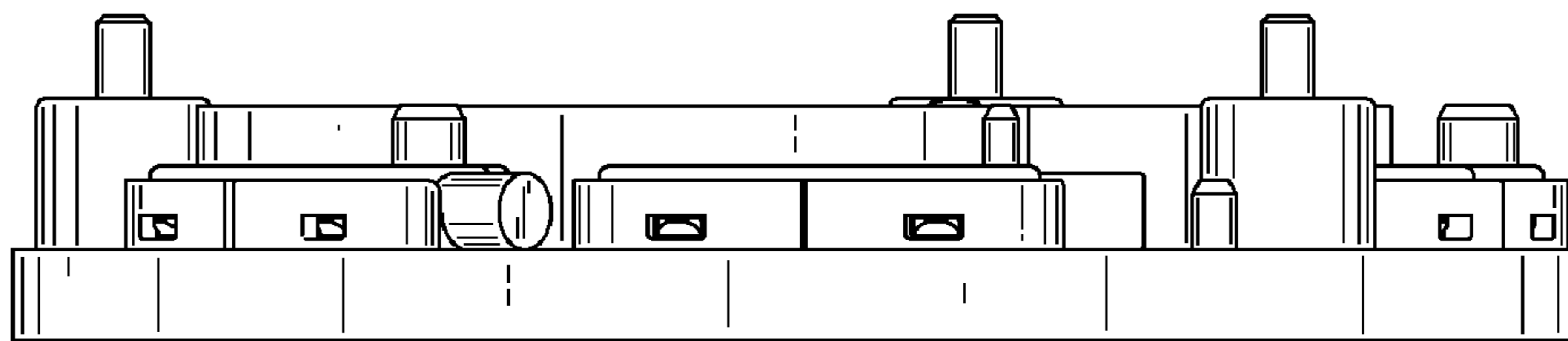


Fig. 7

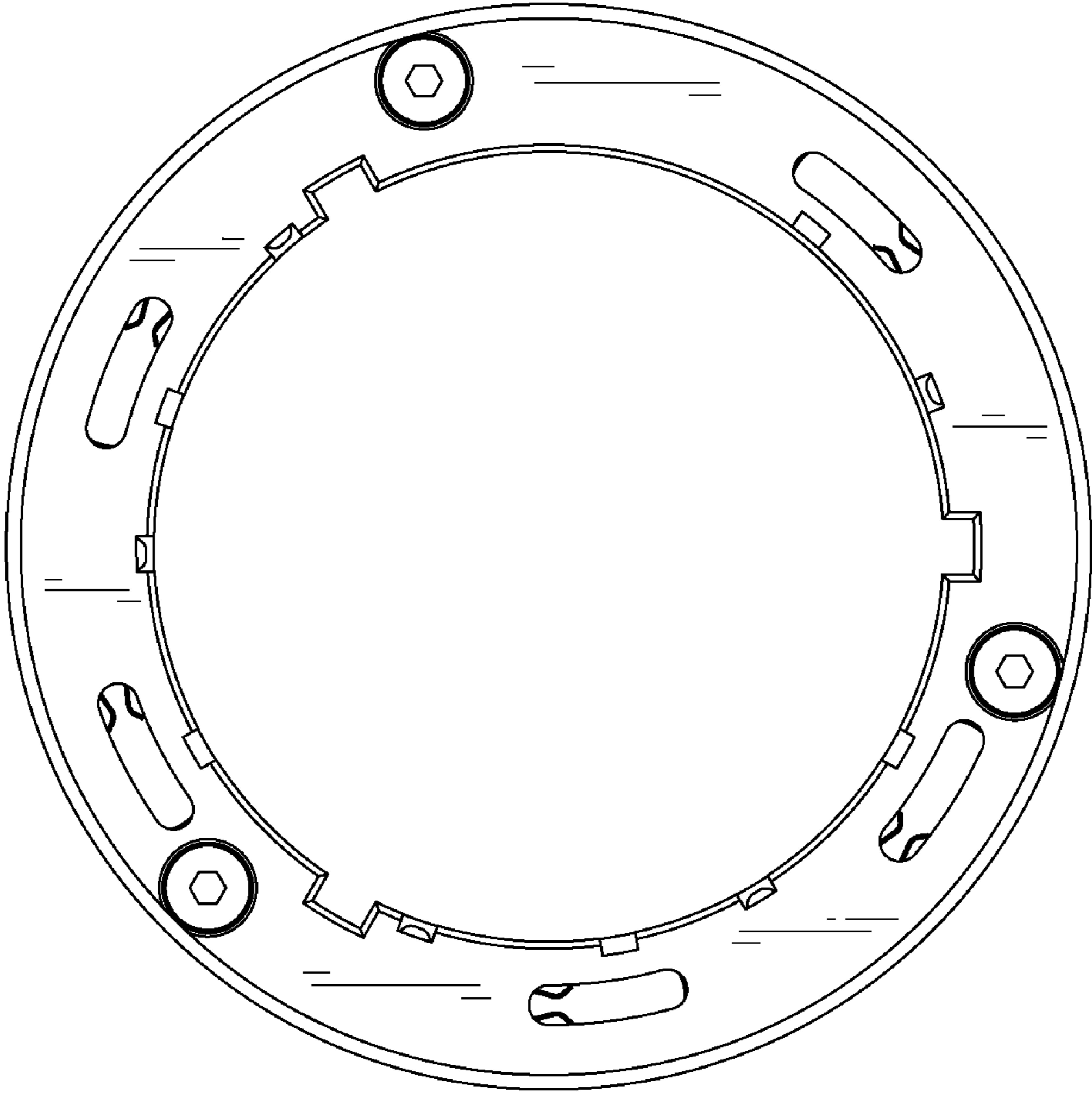


Fig. 8

