



US00D651171S

(12) **United States Design Patent**
Yamauchi et al.

(10) **Patent No.:** **US D651,171 S**
(45) **Date of Patent:** **** Dec. 27, 2011**

(54) **EXTENDER CAP FOR A PLUG OF AN OPTICAL FIBER CONNECTOR**

(75) Inventors: **Isao Yamauchi**, Tokyo (JP); **Nobuhiko Oda**, Tokyo (JP); **Kohsuke Ishikawa**, Tokyo (JP)

(73) Assignee: **Adamant Kogyo Co., Ltd.**, Tokyo (JP)

(**) Term: **14 Years**

(21) Appl. No.: **29/347,457**

(22) Filed: **Jan. 22, 2010**

(30) **Foreign Application Priority Data**

Jul. 28, 2009 (JP) 2009-017160

(51) **LOC (9) Cl.** **13-03**

(52) **U.S. Cl.** **D13/133**

(58) **Field of Classification Search** D13/133,
D13/146, 147, 149, 151, 154, 184, 199; 439/180,
439/246, 252, 278, 374, 378, 379, 380, 381,
439/527, 529, 533, 675, 750, 842, 851, 889,
439/892, 894, 944, 948

See application file for complete search history.

(56) **References Cited**

U.S. PATENT DOCUMENTS

D323,810 S * 2/1992 Sueyoshi et al. D13/133
D327,670 S * 7/1992 Kozono et al. D13/133
D331,910 S * 12/1992 Sato et al. D13/133
D331,911 S * 12/1992 Sato et al. D13/133

D334,013 S * 3/1993 Nagasaka et al. D13/133
D459,311 S * 6/2002 Chen D13/147
D529,442 S * 10/2006 Morita et al. D13/146
D604,246 S * 11/2009 Mancini D13/146
D611,903 S * 3/2010 Karabcievschy et al. D13/133
D620,896 S * 8/2010 Petersen D13/160
D641,708 S * 7/2011 Yamauchi D13/154

* cited by examiner

Primary Examiner — Daniel Bui

(74) *Attorney, Agent, or Firm* — Manabu Kanesaka

(57) **CLAIM**

The ornamental design for an extender cap for a plug of an optical fiber connector, as shown and described.

DESCRIPTION

FIG. 1 is a front elevation view of an extender cap for a plug of an optical fiber connector showing our new design. It is understood that the rear elevation view thereof being an identical image thereto;

FIG. 2 is a right side elevation view thereof;

FIG. 3 is a left side elevation view thereof;

FIG. 4 is a top plan view thereof;

FIG. 5 is a bottom plan view thereof;

FIG. 6 is a sectional view thereof, taken along line 6-6 in FIG. 4;

FIG. 7 is an top, front and right side perspective view thereof; FIG. 8 is a bottom, rear and left side perspective view thereof; and,

FIG. 9 is a bottom, rear and left side perspective view thereof, in used condition.

The broken line shown in the figure drawings is included for the purpose of illustrating environment and forms no part of the claimed design.

1 Claim, 9 Drawing Sheets

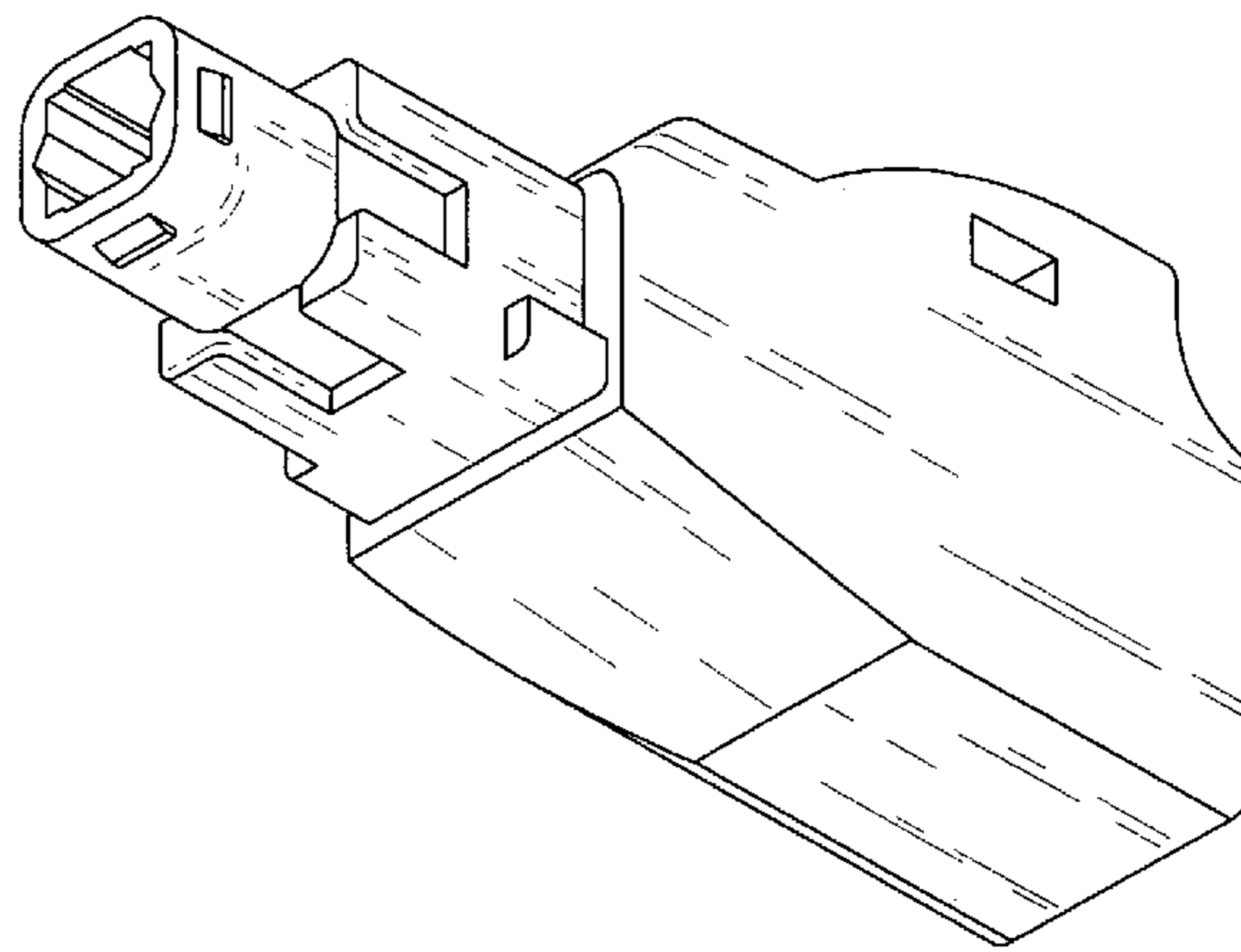
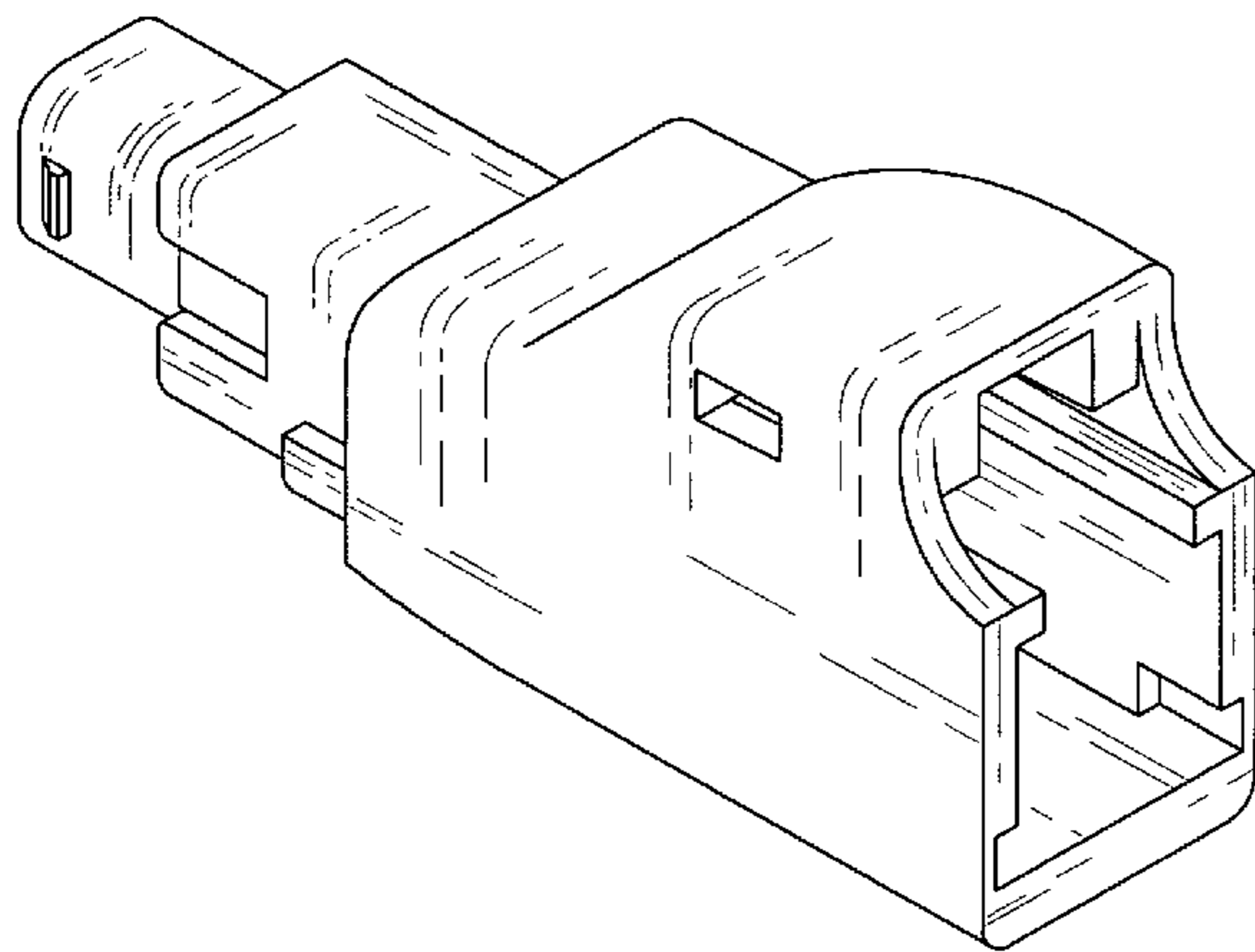


FIG. 1

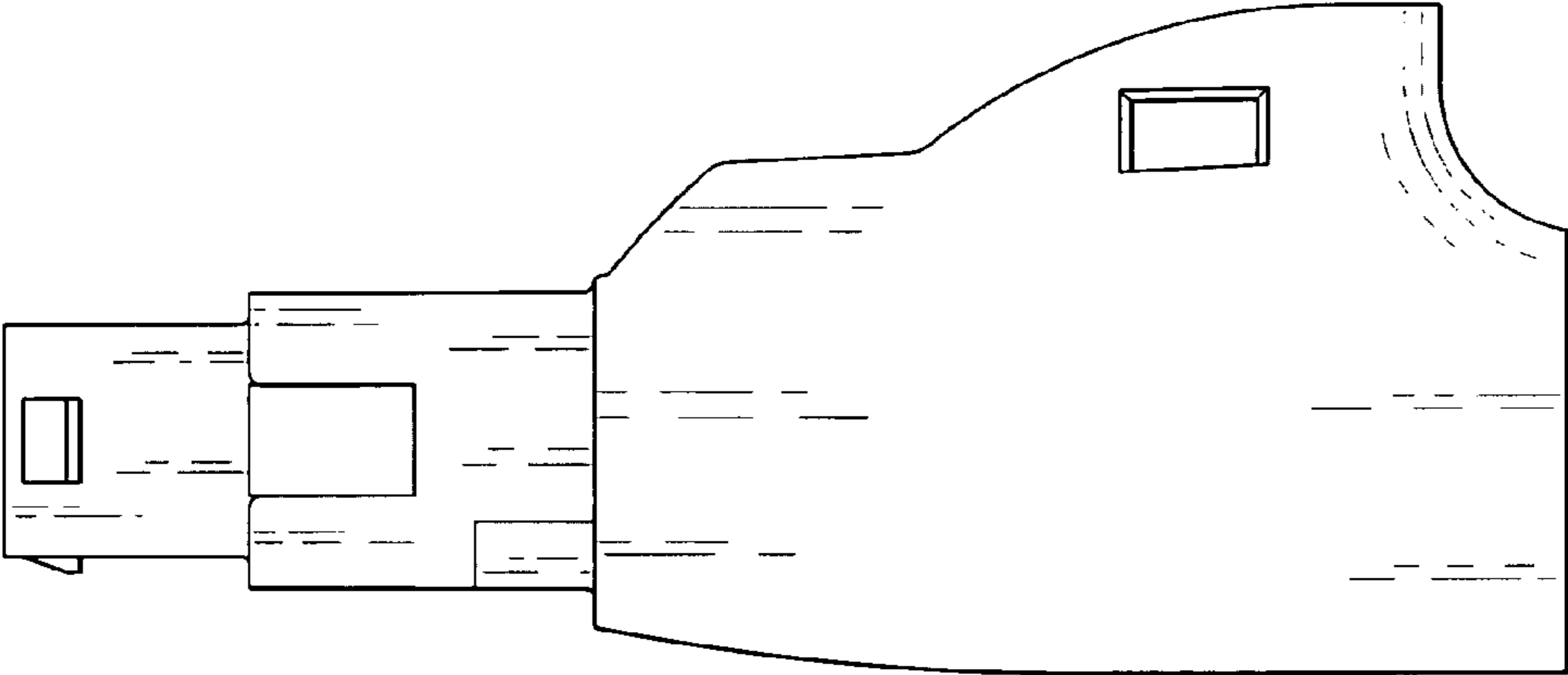


FIG. 2

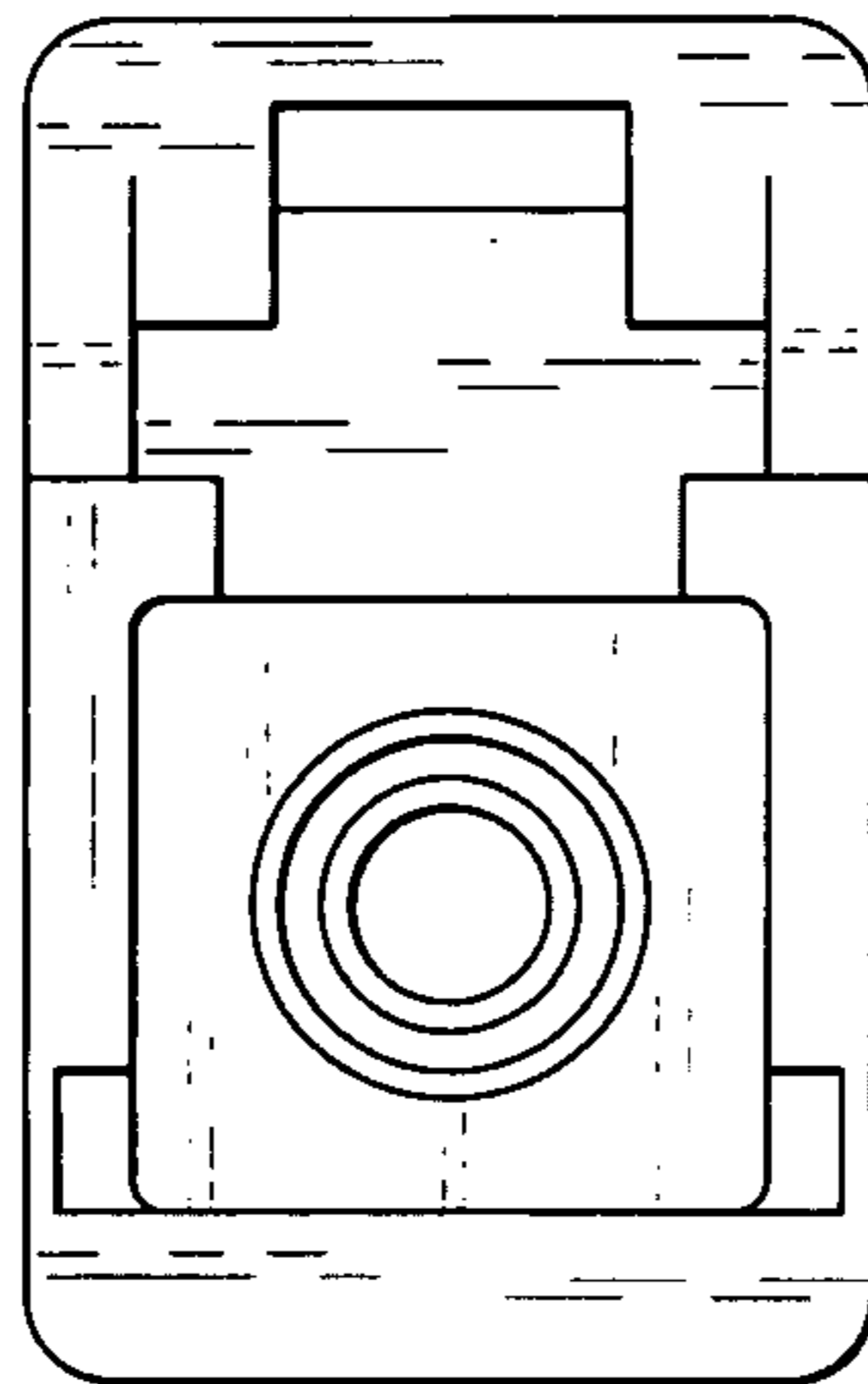


FIG. 3

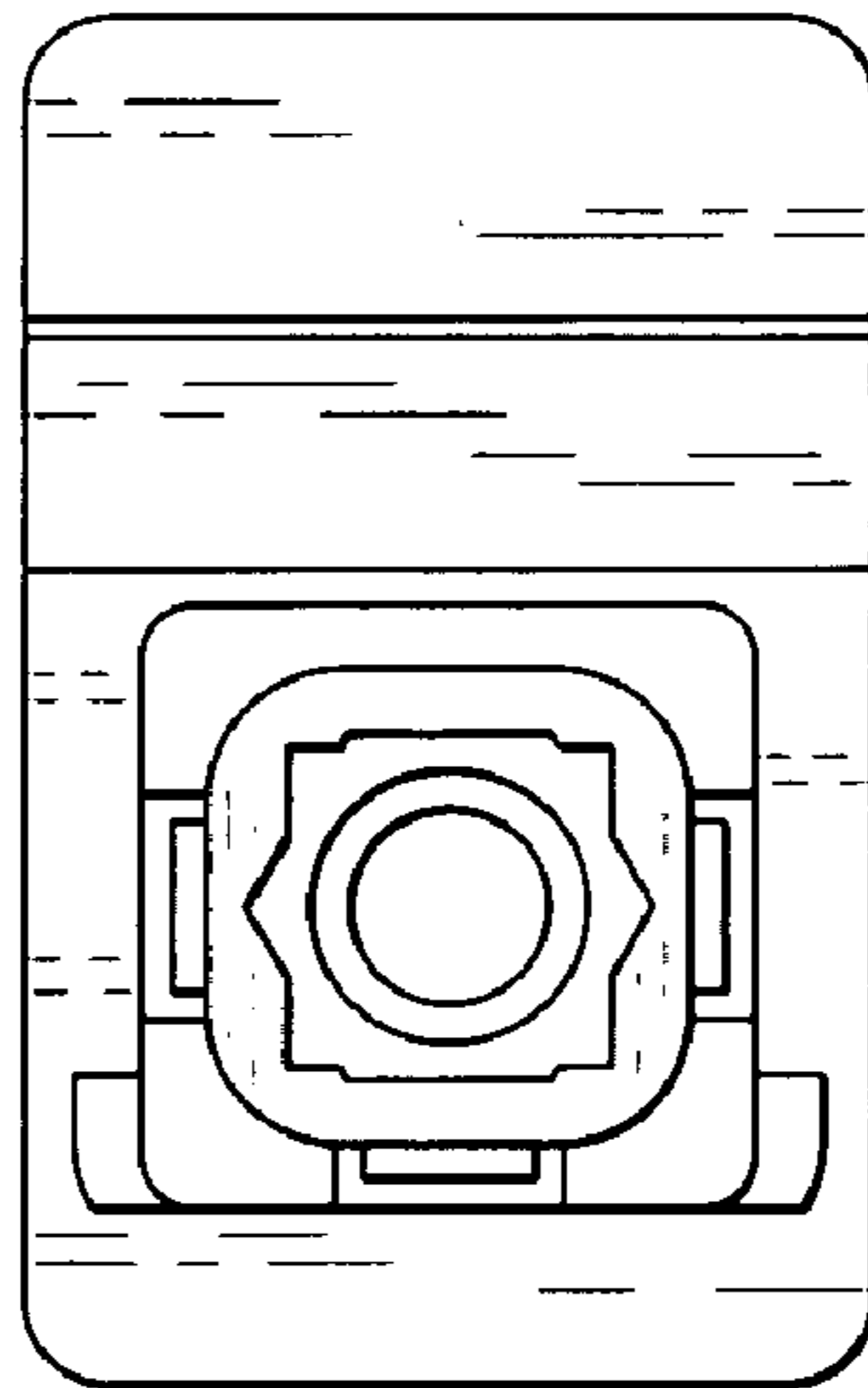


FIG. 4

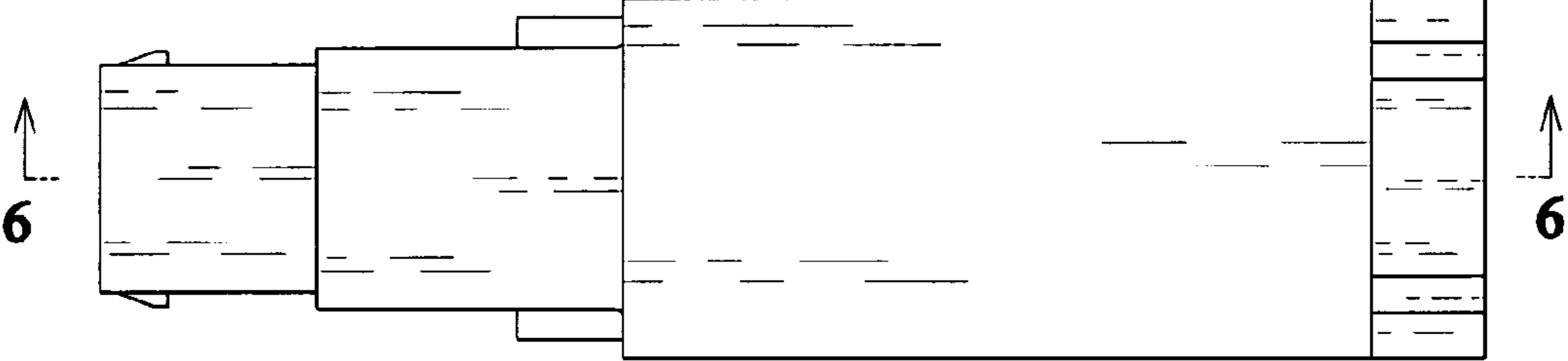


FIG. 5

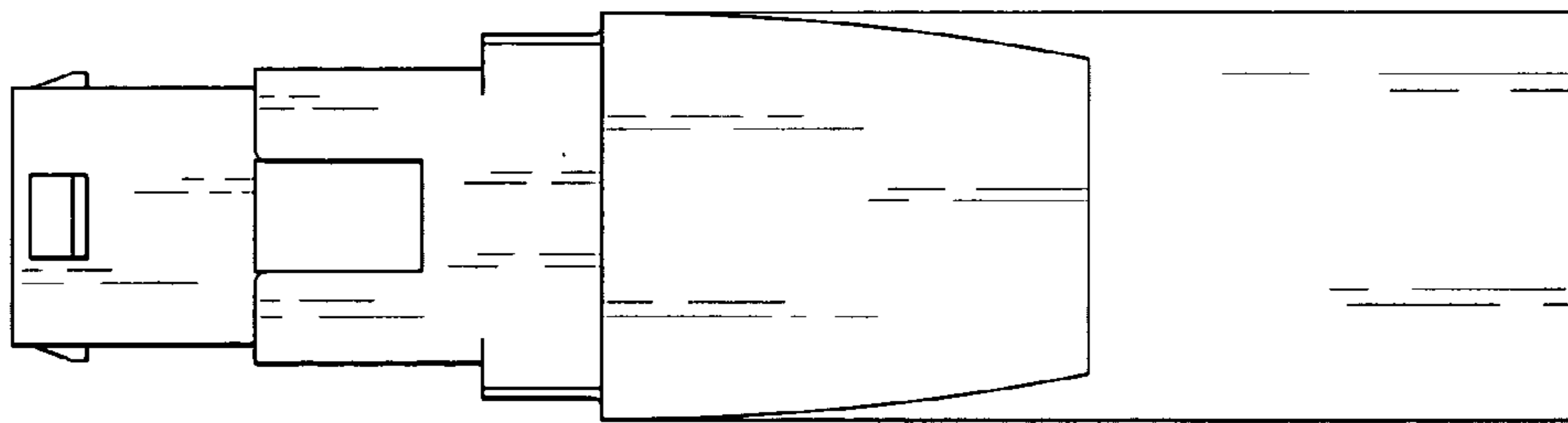


FIG. 6

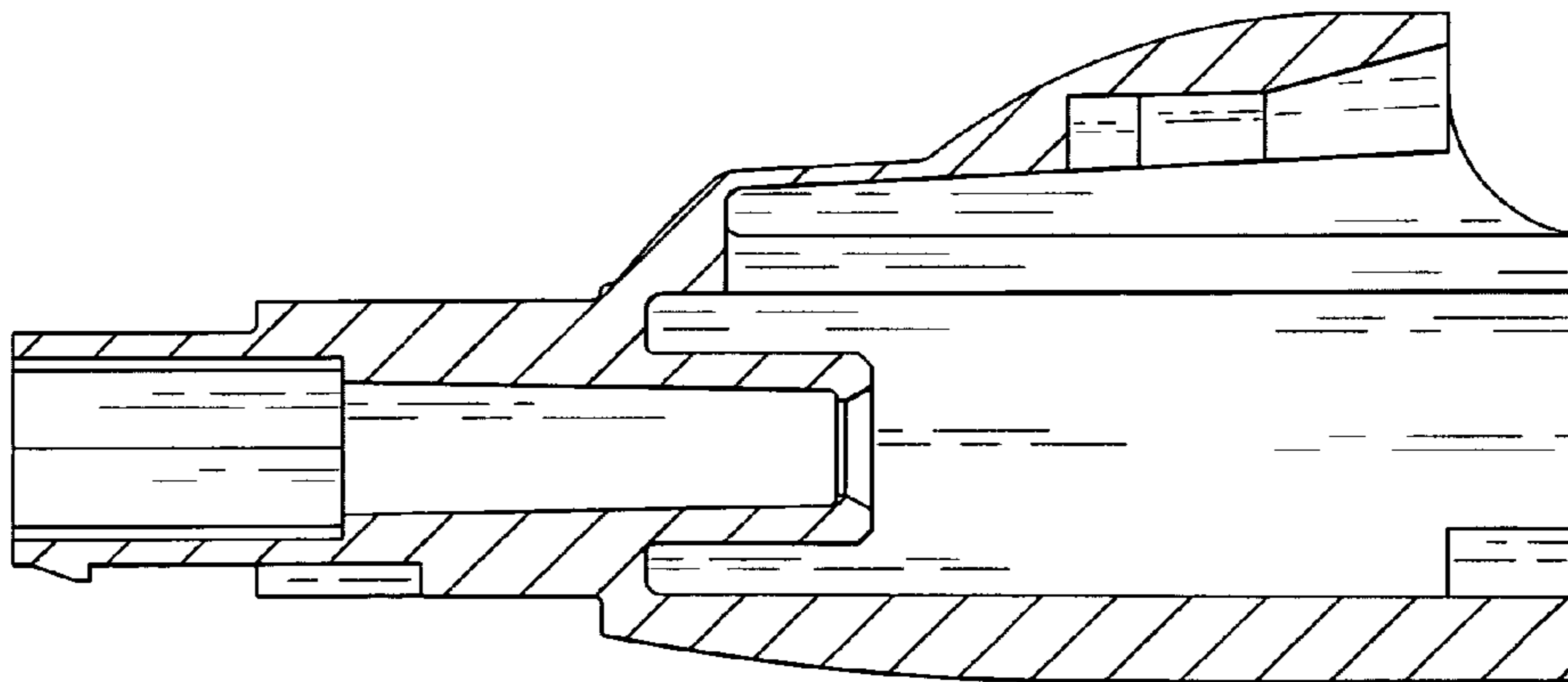


FIG. 7

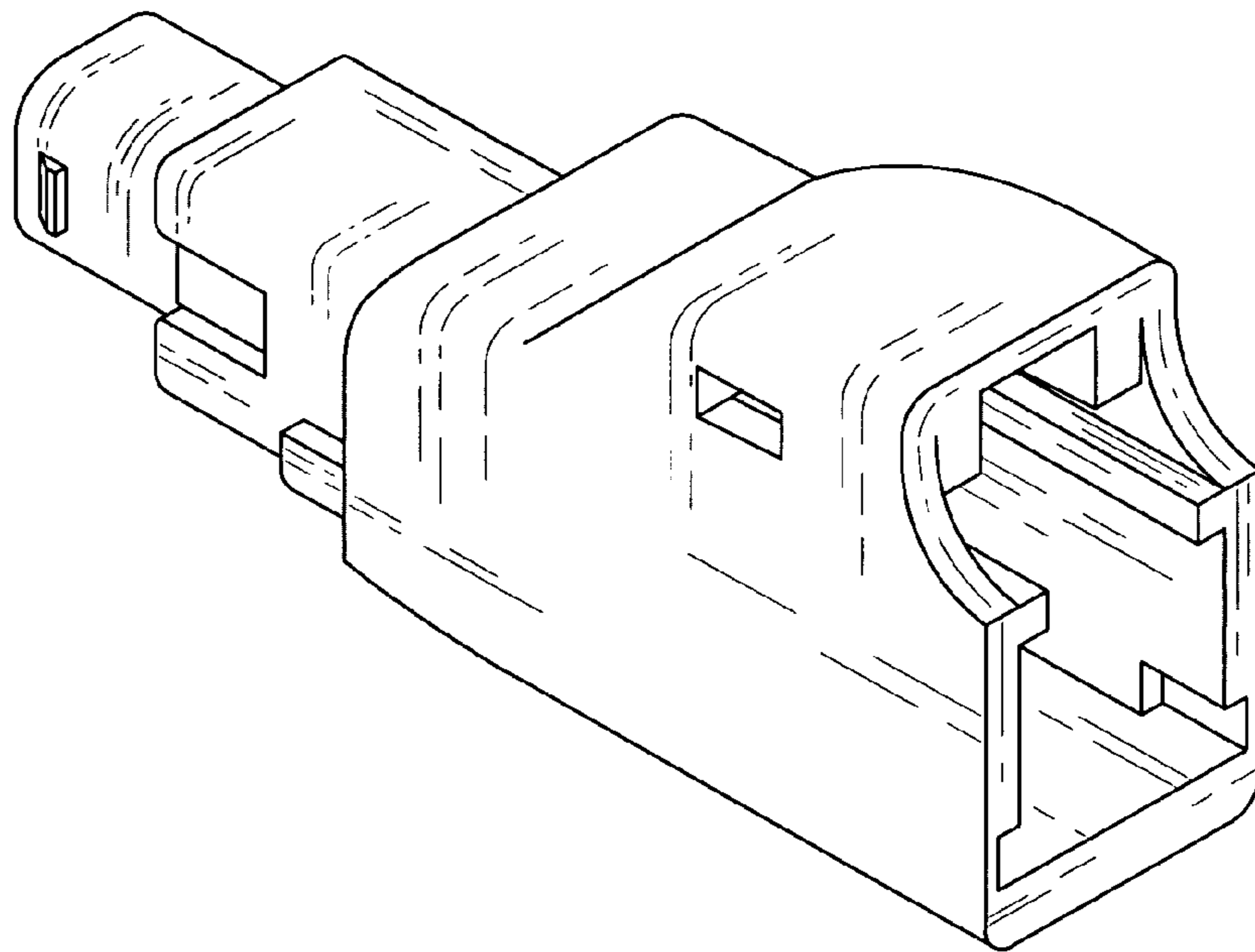


FIG. 8

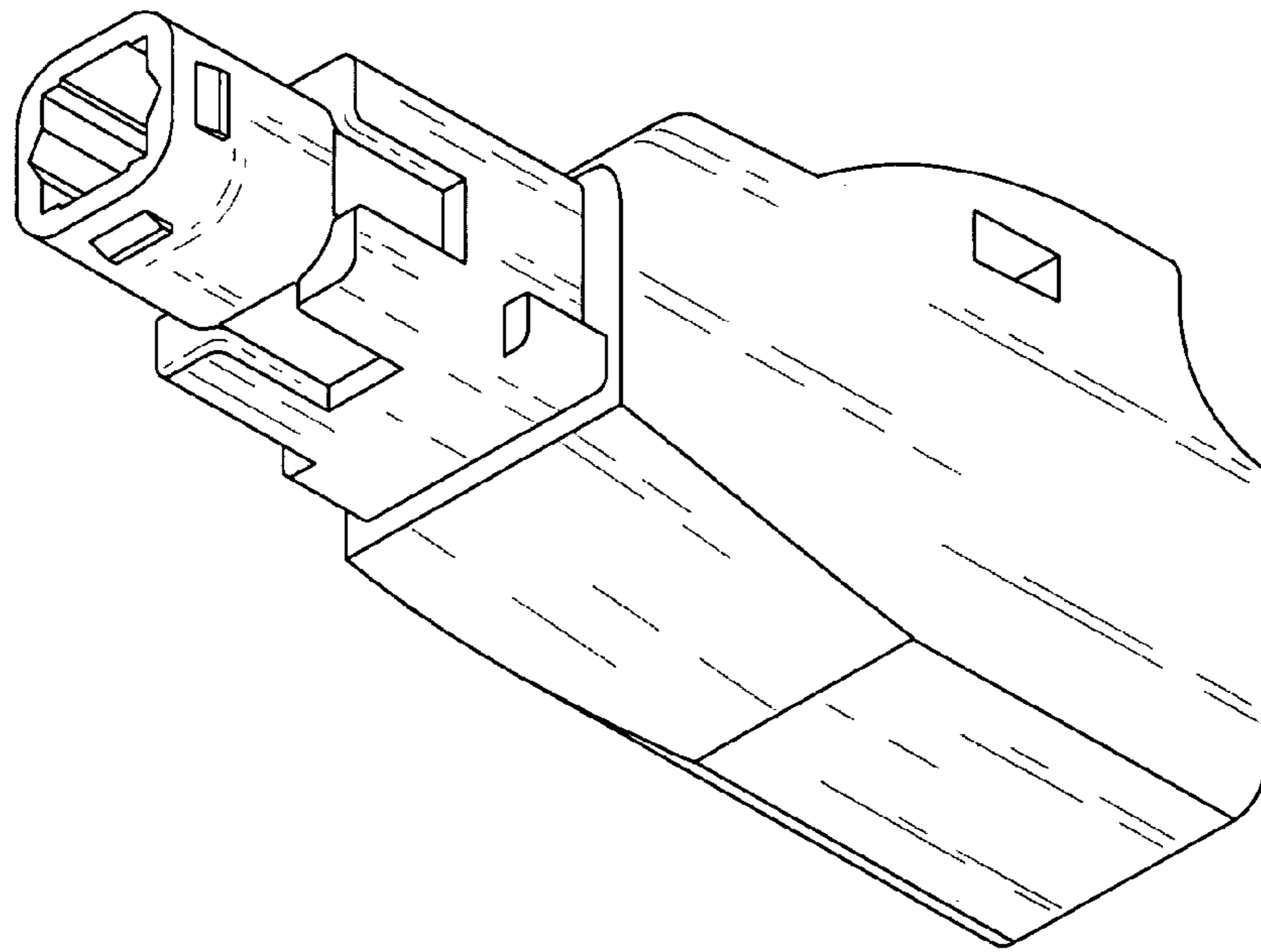


FIG. 9

