



US00D651169S

(12) **United States Design Patent**  
**Zhuan**

(10) **Patent No.:** **US D651,169 S**

(45) **Date of Patent:** **\*\* Dec. 27, 2011**

(54) **ELECTRIC TOOTHBRUSH CHARGER**

(76) Inventor: **Qingping Zhuan**, Brampton (CA)

(\*\*) Term: **14 Years**

(21) Appl. No.: **29/359,519**

(22) Filed: **Apr. 12, 2010**

(51) **LOC (9) Cl.** ..... **13-02**

(52) **U.S. Cl.** ..... **D13/108**

(58) **Field of Classification Search** ..... D13/107-110,  
D13/118-119, 184, 199; D14/251, 253,  
D14/432, 434; 320/107-115

See application file for complete search history.

(56) **References Cited**

U.S. PATENT DOCUMENTS

D216,547	S	*	2/1970	Mango et al.	.....	D13/108
4,211,968	A	*	7/1980	Sugalski	.....	320/113
4,229,686	A	*	10/1980	Mullersman et al.	.....	320/113
4,608,528	A	*	8/1986	Stillwell	.....	320/113
D334,170	S	*	3/1993	Rams et al.	.....	D13/108
D347,617	S	*	6/1994	Tattari	.....	D13/107
5,449,567	A	*	9/1995	Yeh	.....	429/7
5,587,645	A	*	12/1996	Sciammarella et al.	.....	362/253
5,736,830	A	*	4/1998	Weng	.....	320/108
D400,855	S	*	11/1998	Lee	.....	D13/138.1
D418,108	S	*	12/1999	Snider	.....	D13/108
D433,992	S	*	11/2000	Luecke	.....	D13/108
D466,700	S	*	12/2002	Richmond et al.	.....	D4/199
D510,905	S	*	10/2005	Thirouin	.....	D13/108

D516,022	S	*	2/2006	Winkler	.....	D13/108
D555,087	S	*	11/2007	Brefka et al.	.....	D13/107
D595,224	S	*	6/2009	Seil et al.	.....	D13/110
D601,501	S	*	10/2009	Kaibara et al.	.....	D13/110
D602,430	S	*	10/2009	Green et al.	.....	D13/110
D611,415	S	*	3/2010	Andre et al.	.....	D13/138.1
D623,136	S	*	9/2010	Andre et al.	.....	D13/138.1

\* cited by examiner

*Primary Examiner* — Rosemary K Tarcza

(57) **CLAIM**

The ornamental design for an electric toothbrush charger, as shown and described.

**DESCRIPTION**

FIG. 1 is a front perspective view of an electric toothbrush charger showing my new design, as seen from the top right side;

FIG. 2 is a rear perspective view thereof, as seen from the top left side;

FIG. 3 is a front elevational view thereof;

FIG. 4 is a top plan view thereof;

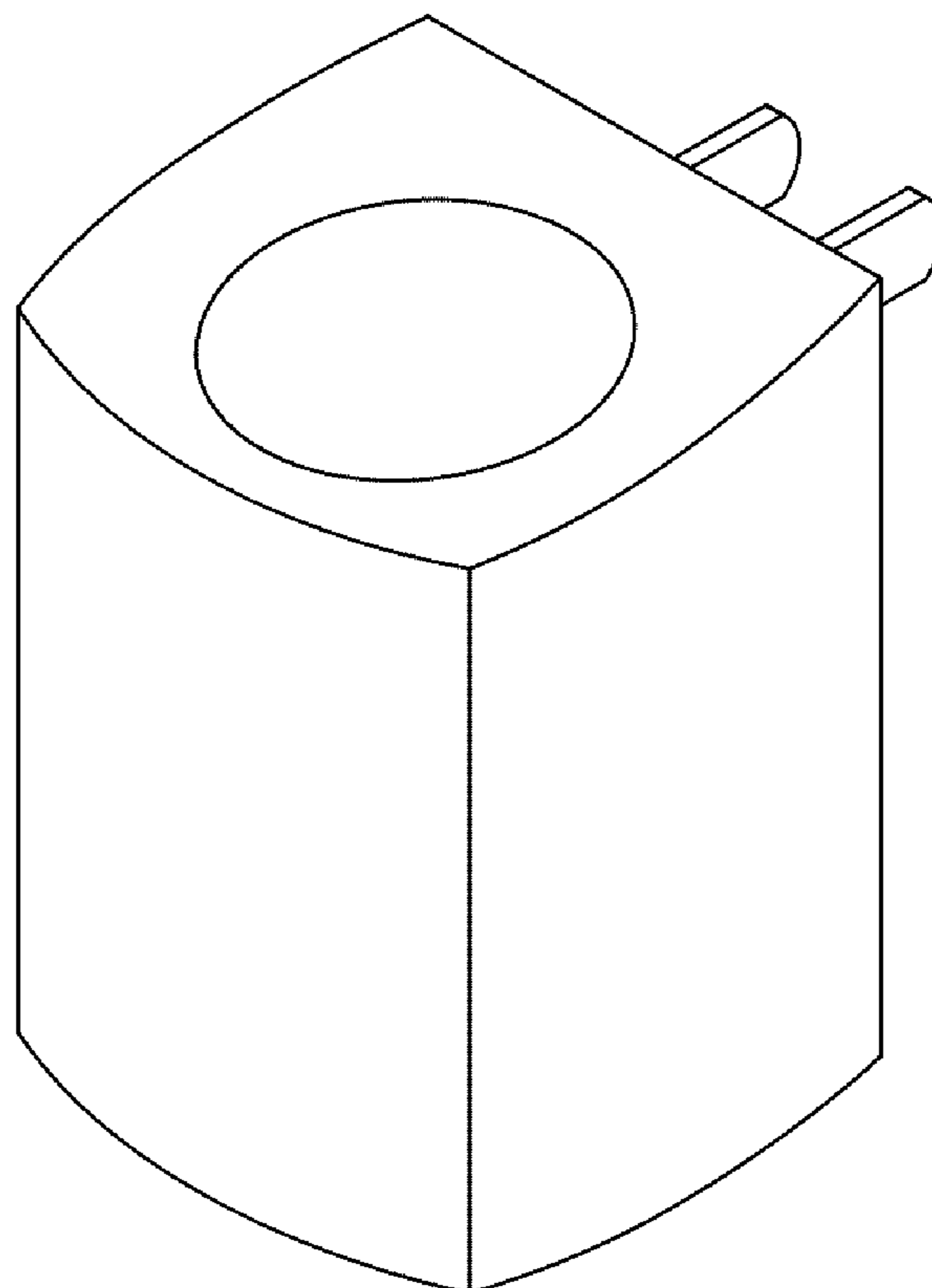
FIG. 5 is a bottom plan view thereof;

FIG. 6 is a right side elevational view thereof; the left side elevational view being a mirror image; and,

FIG. 7 is a rear elevational view thereof.

The broken lines in the drawings are for the purpose of illustrating unclaimed portions of the electric toothbrush charger and form no part of the claimed design.

**1 Claim, 3 Drawing Sheets**



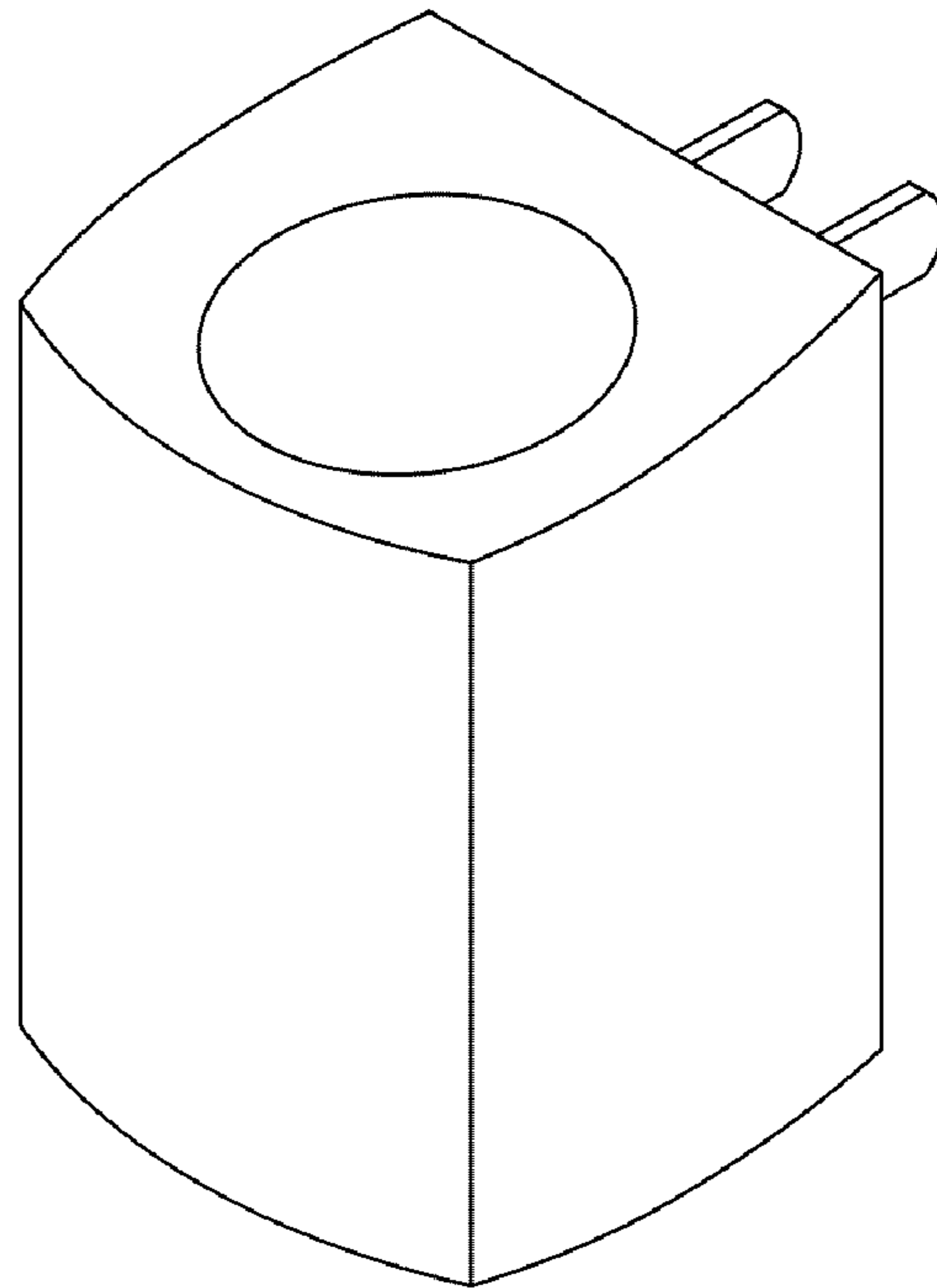


FIG. 1

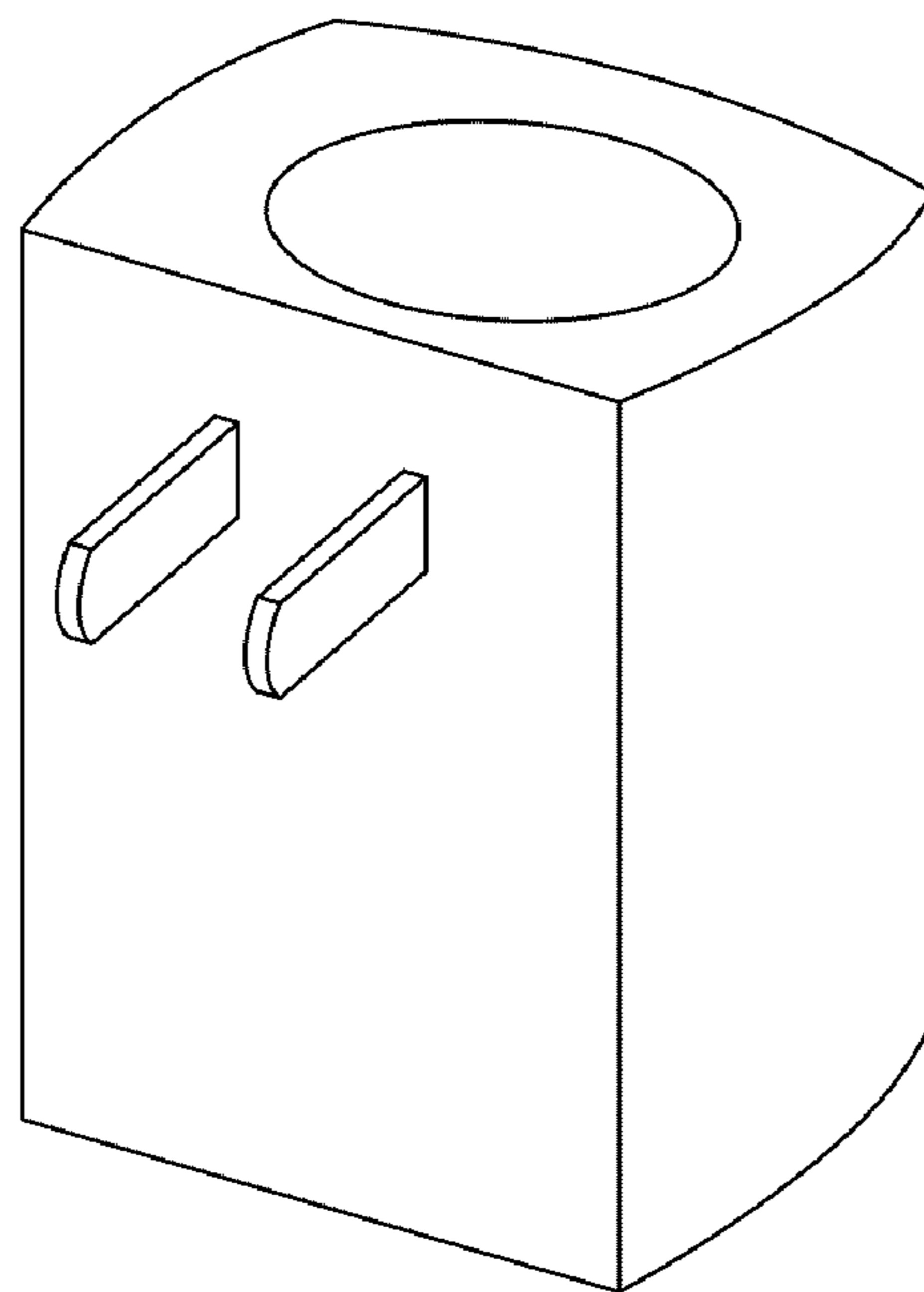


FIG. 2

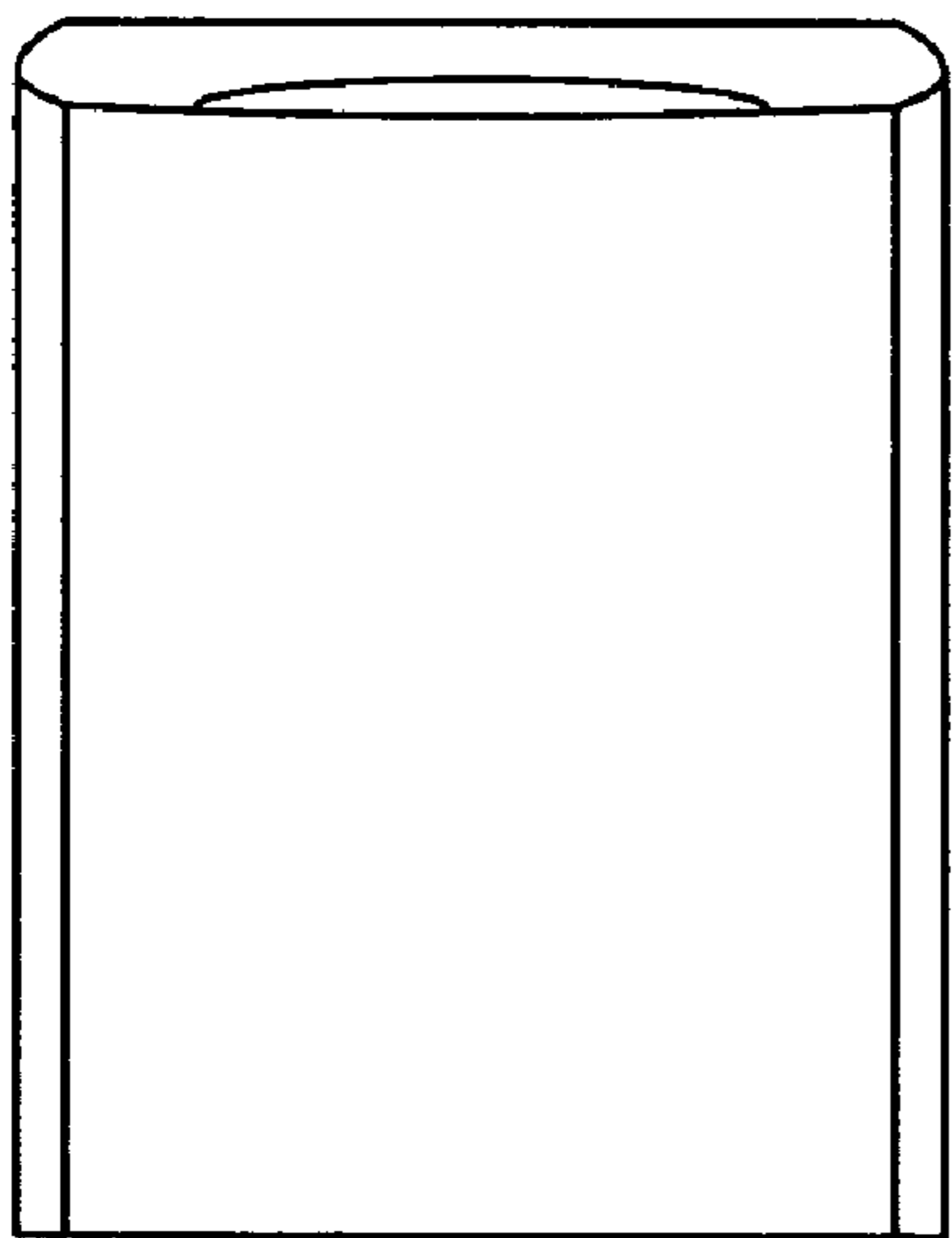


FIG. 3

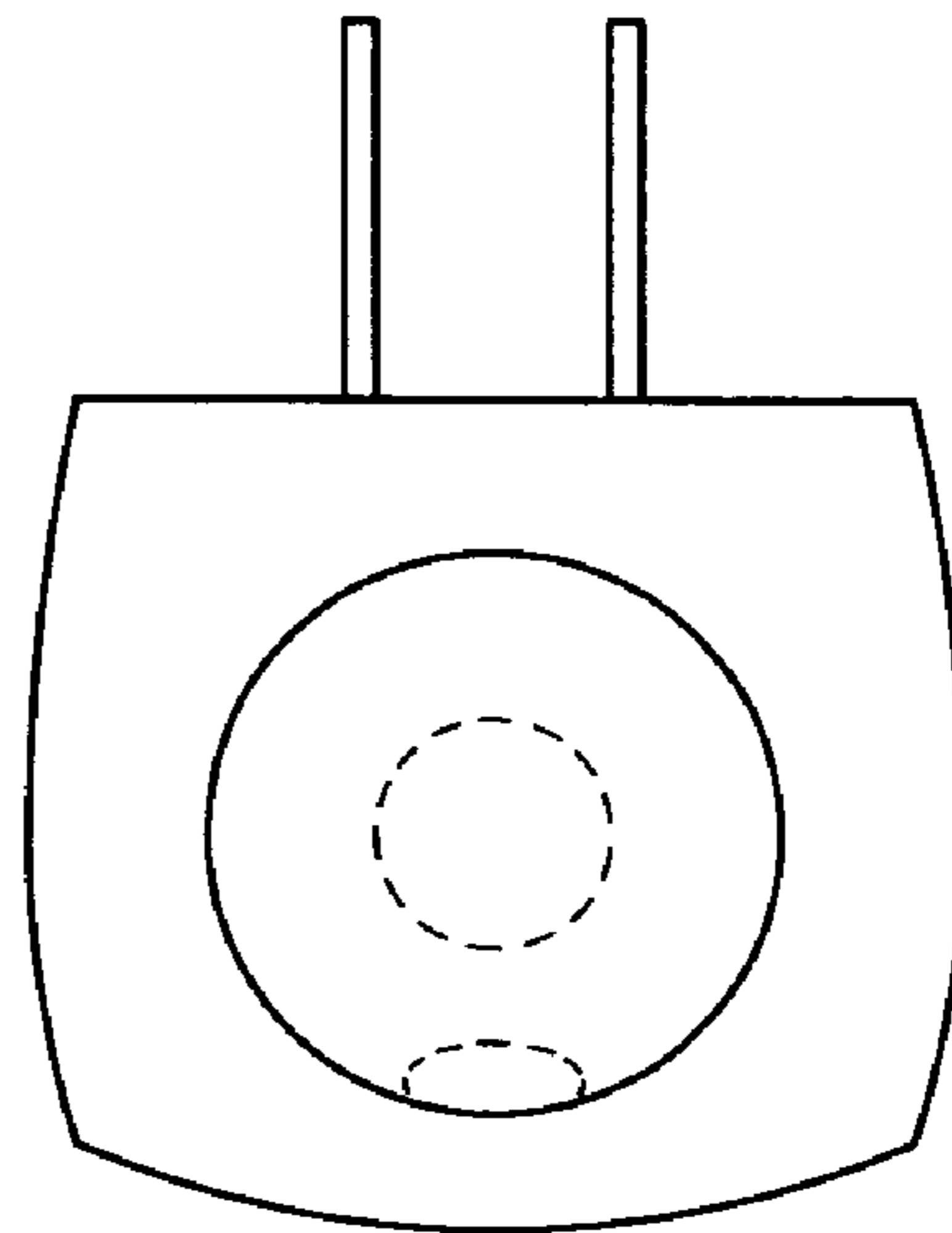


FIG. 4

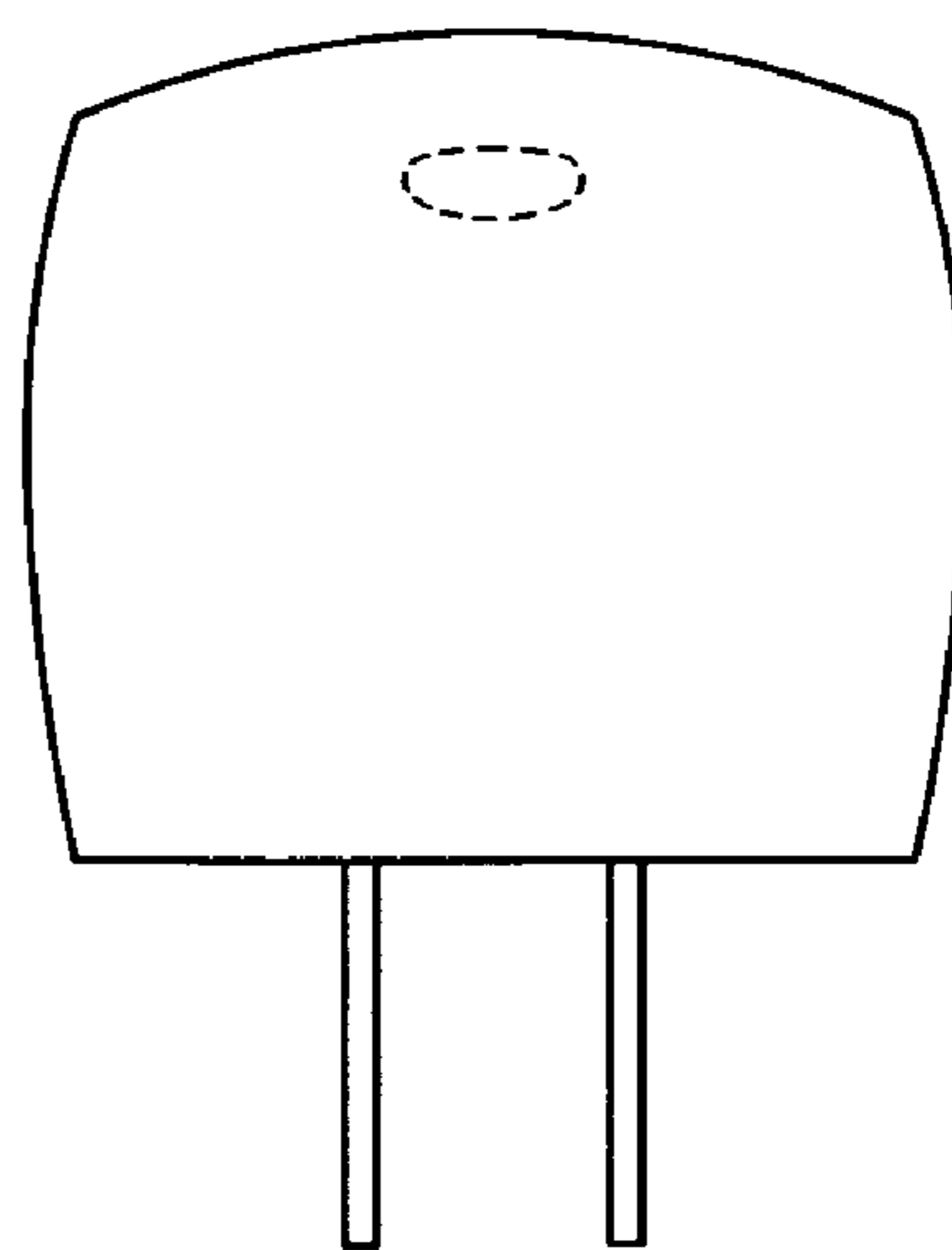


FIG. 5

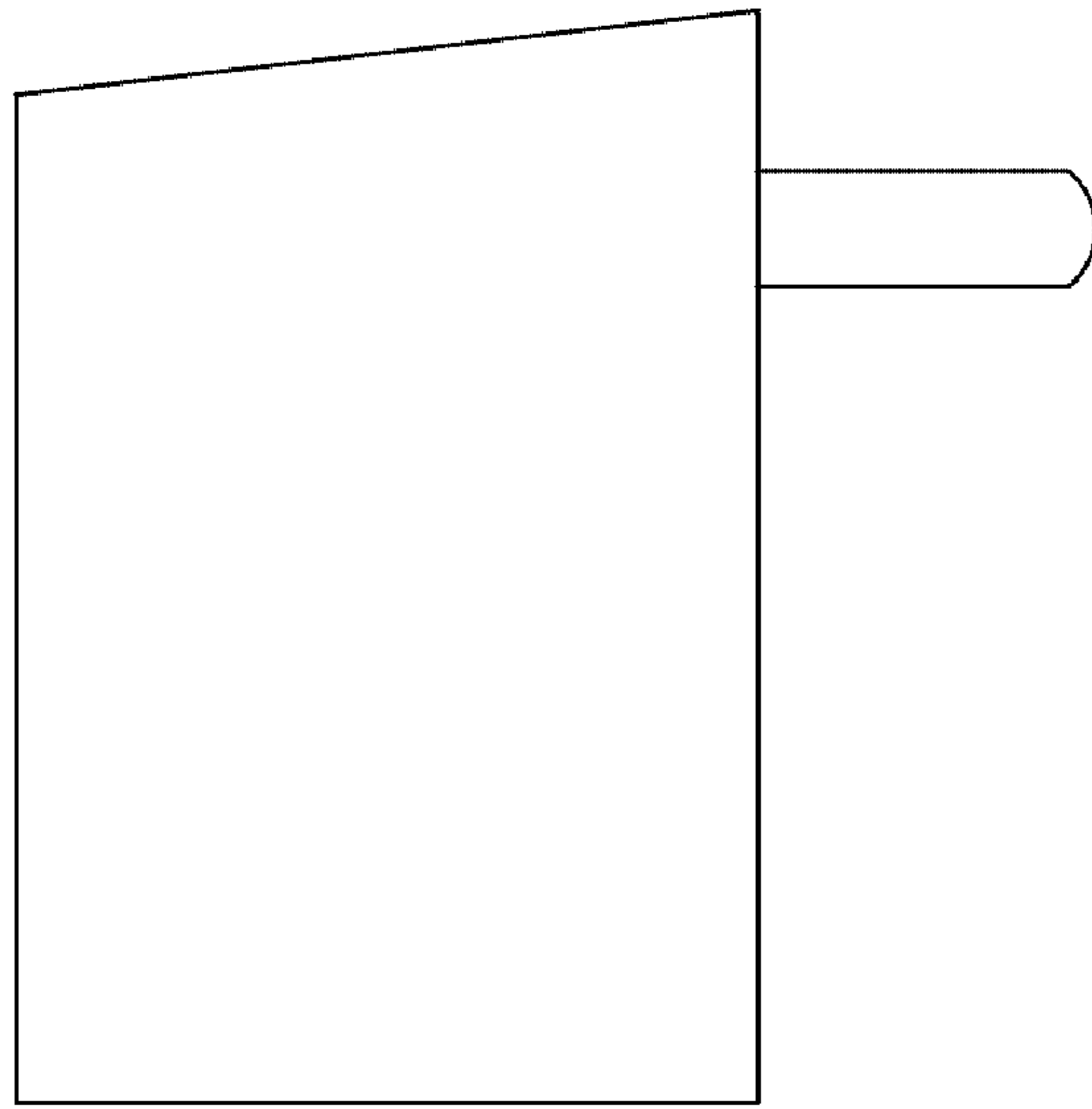


FIG. 6

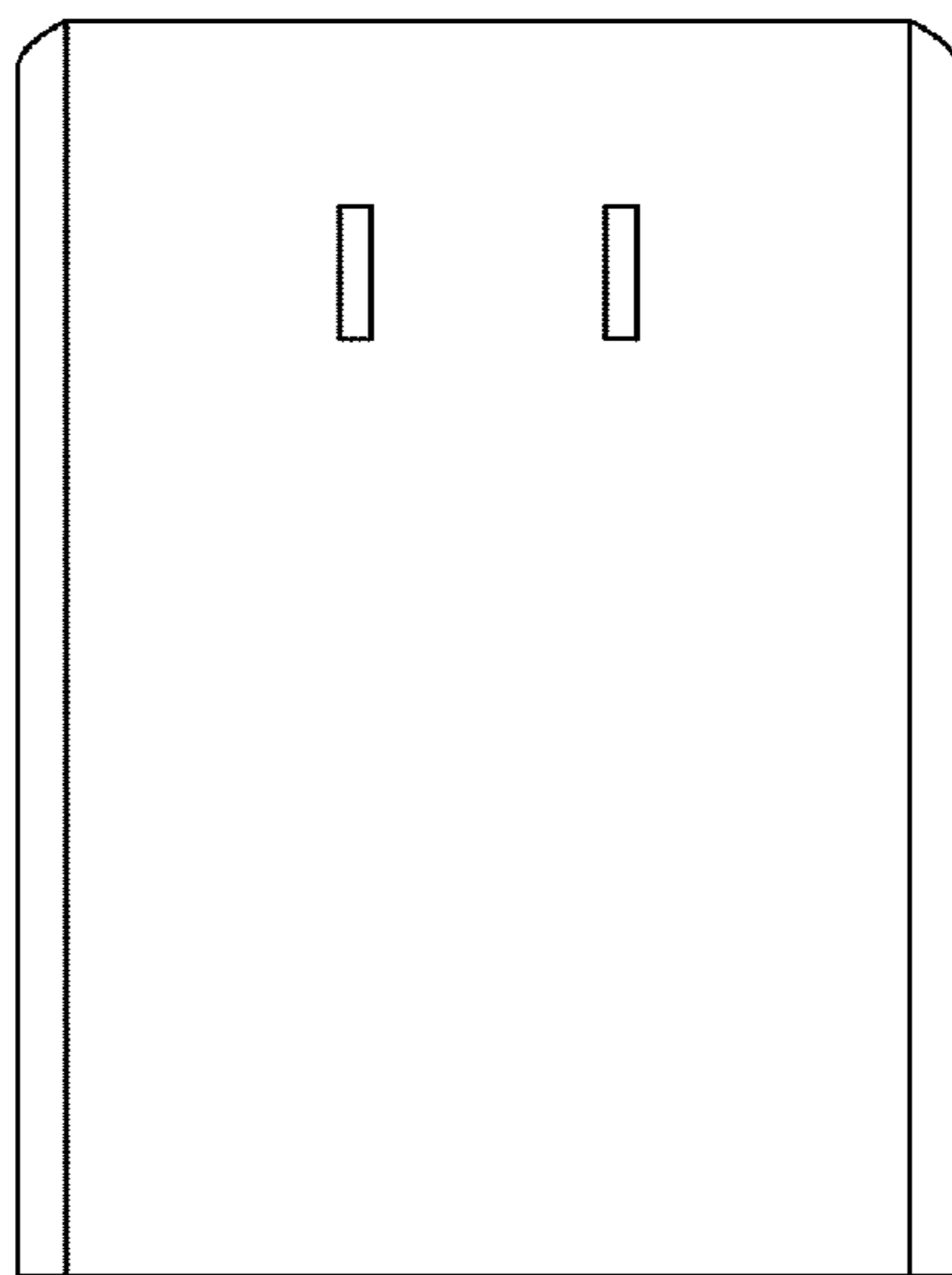


FIG. 7