



US00D651160S

(12) **United States Design Patent**
Jacobs

(10) **Patent No.:** **US D651,160 S**

(45) **Date of Patent:** **** Dec. 27, 2011**

(54) **TIRE TREAD**

(75) Inventor: **Jeremy J. Jacobs**, Findlay, OH (US)

(73) Assignee: **Cooper Tire & Rubber Company**,
Findlay, OH (US)

(**) Term: **14 Years**

(21) Appl. No.: **29/370,508**

(22) Filed: **Jul. 28, 2010**

(51) **LOC (9) Cl.** **12-15**

(52) **U.S. Cl.** **D12/518; D12/524**

(58) **Field of Classification Search** D12/505-532,
D12/900-901; 152/209.1-209.28, 455
See application file for complete search history.

(56) **References Cited**

U.S. PATENT DOCUMENTS

D481,004 S *	10/2003	O	D12/518
D508,890 S *	8/2005	Sugitani et al.	D12/518
D517,976 S *	3/2006	Raatikainen	D12/518
D547,716 S *	7/2007	Ochi	D12/518
D558,125 S *	12/2007	Miyabe et al.	D12/518

D603,784 S *	11/2009	Sareen et al.	D12/518
D627,706 S *	11/2010	Behr et al.	D12/524
D642,971 S *	8/2011	Takahashi	D12/518

* cited by examiner

Primary Examiner — Stacia Cadmus

(74) *Attorney, Agent, or Firm* — Emch, Schaffer, Schaub & Porcello, Co., L.P.A.

(57) **CLAIM**

The ornamental design for a tire tread, as shown and described.

DESCRIPTION

FIG. 1 is a perspective view of a tire tread, showing my new design;

FIG. 2 is a front view thereof;

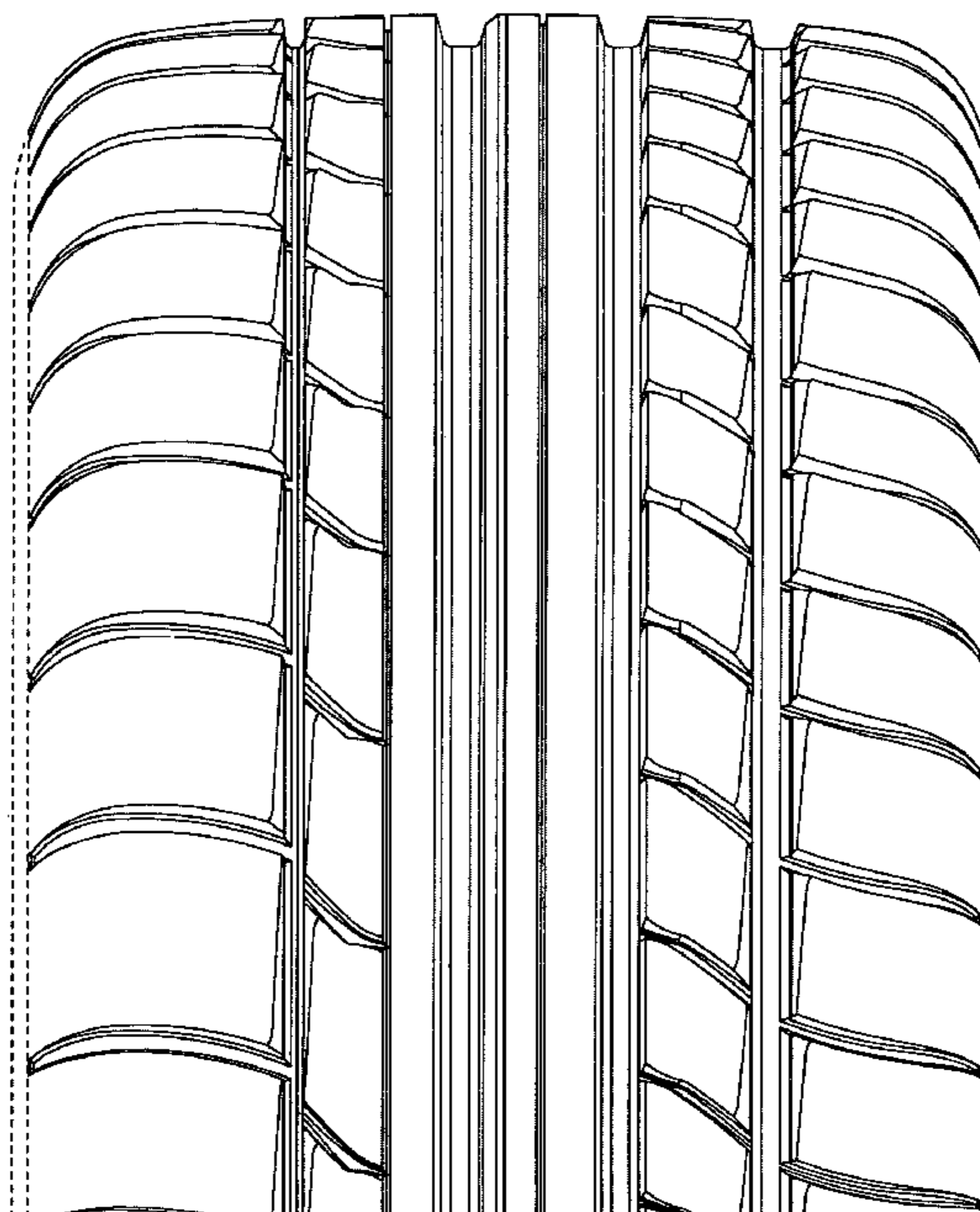
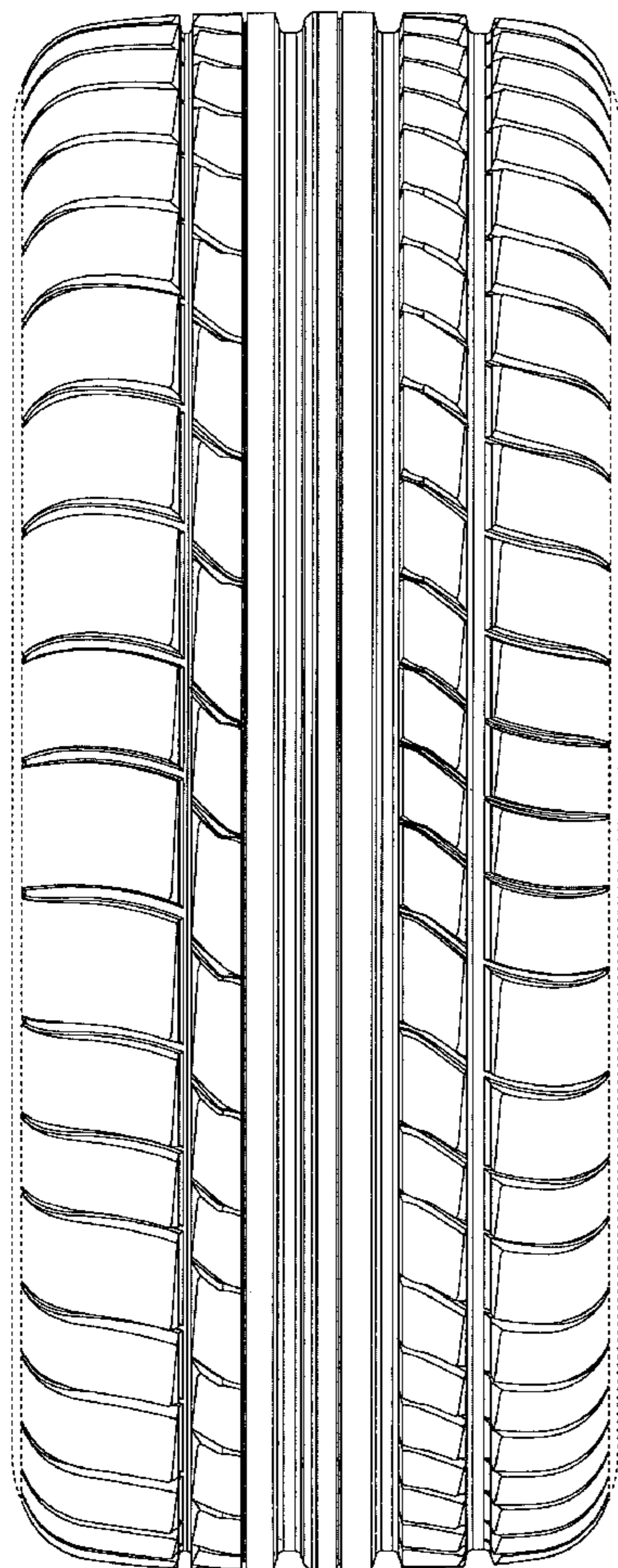
FIG. 3 is a right side view thereof;

FIG. 4 is a left side view thereof; and,

FIG. 5 is an enlarged partial front view thereof.

The broken line showing of the sidewall, inner bead and the peripheral boundary between the tire tread and the sidewall is included for the purpose of illustrating environment and forms no part of the claimed design.

1 Claim, 5 Drawing Sheets



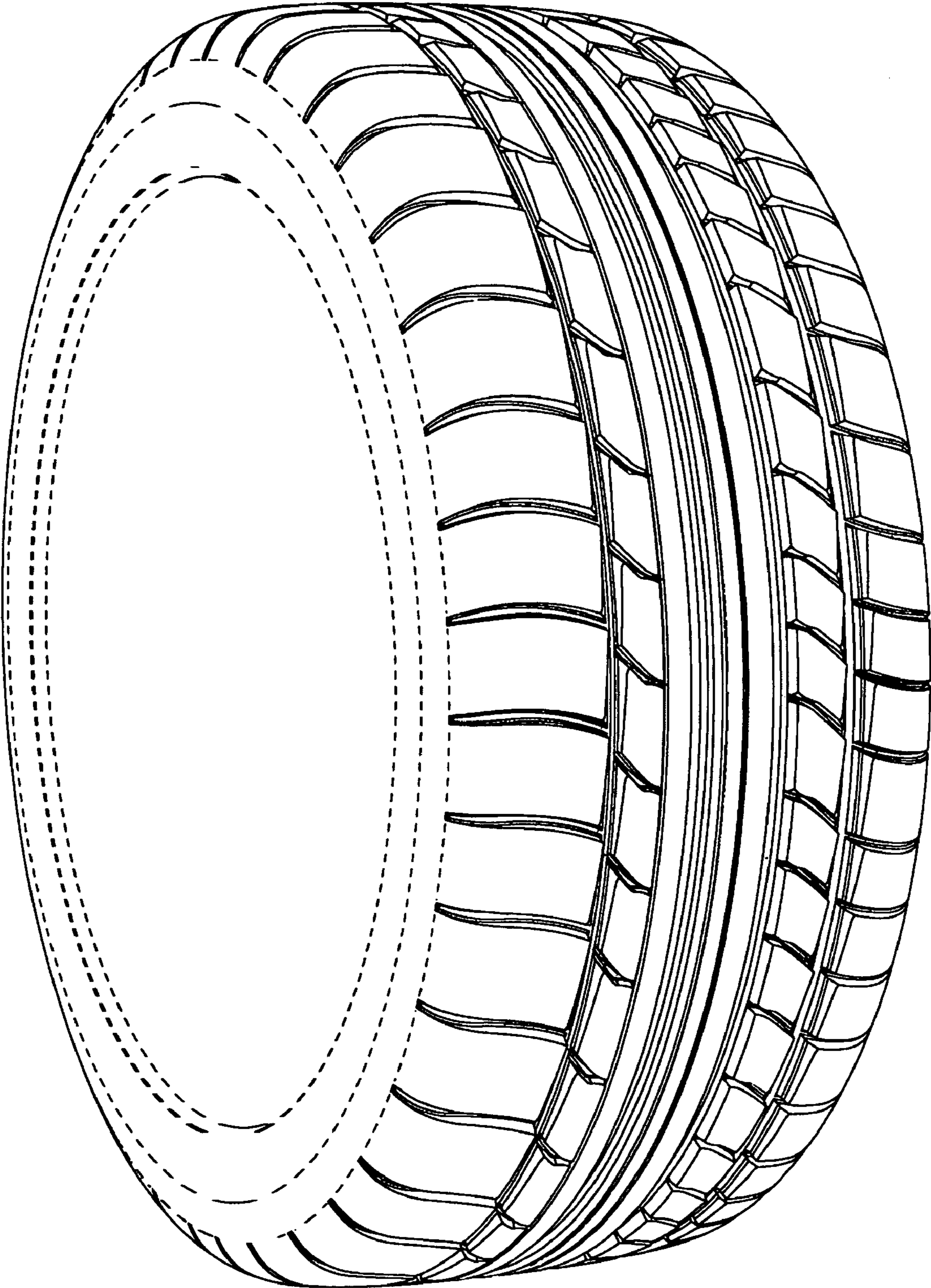


FIG. 1

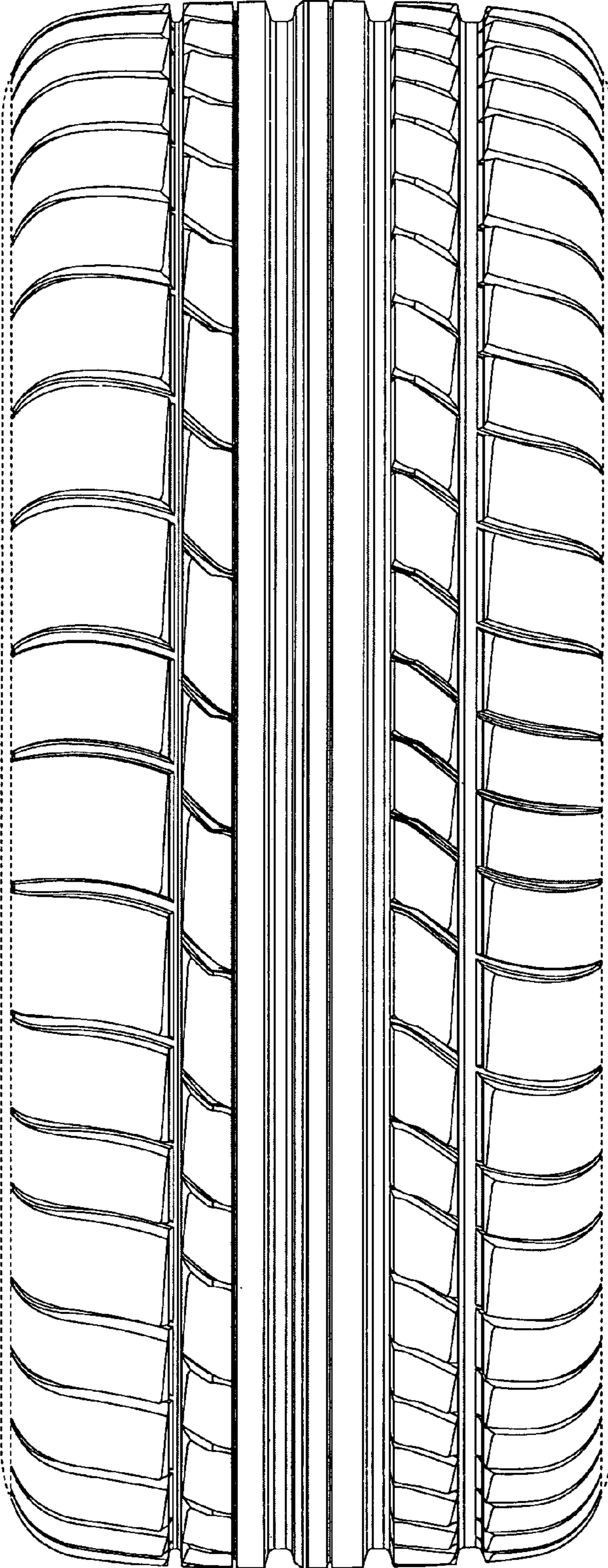


FIG. 2

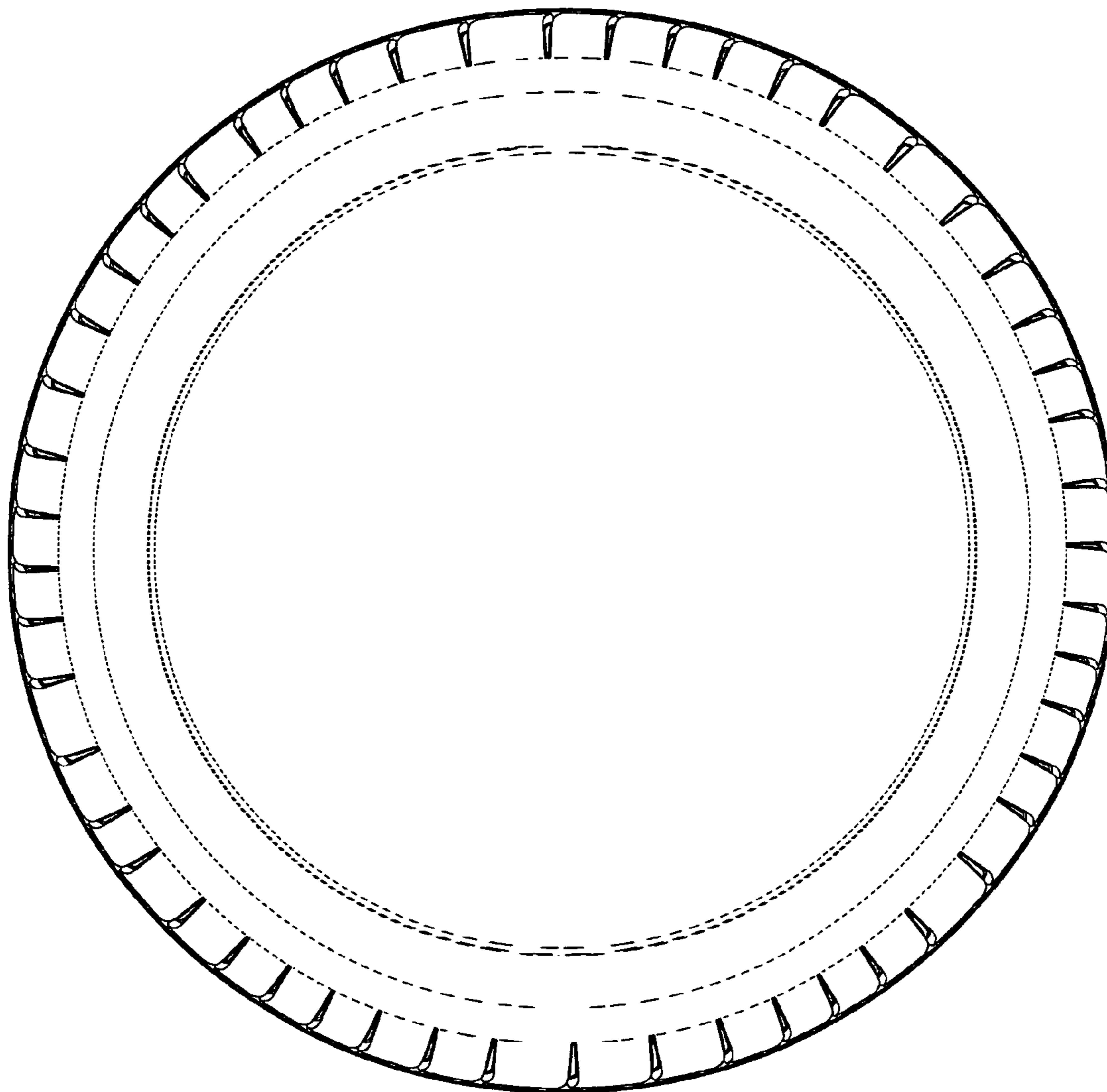


FIG. 3

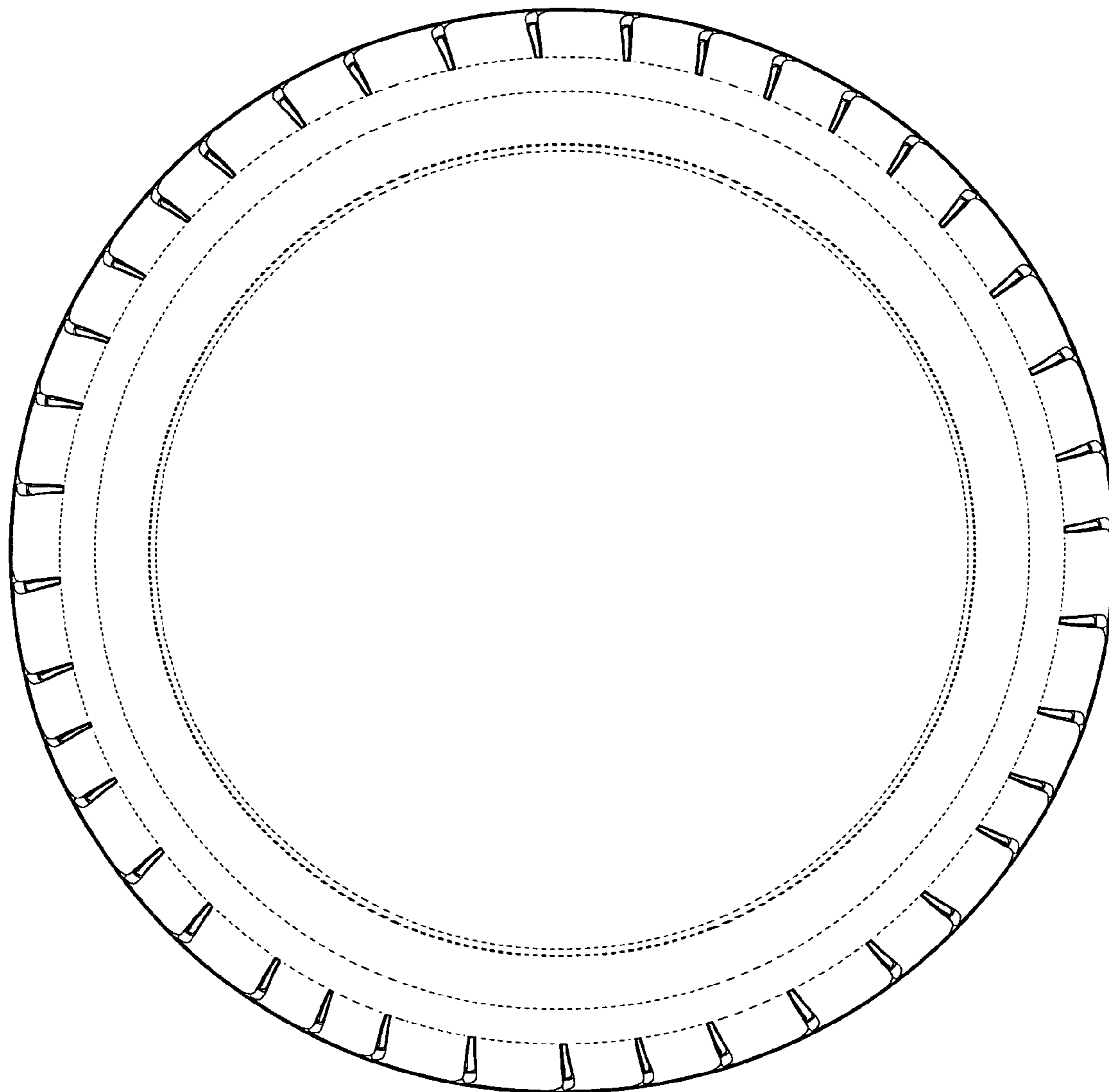


FIG. 4

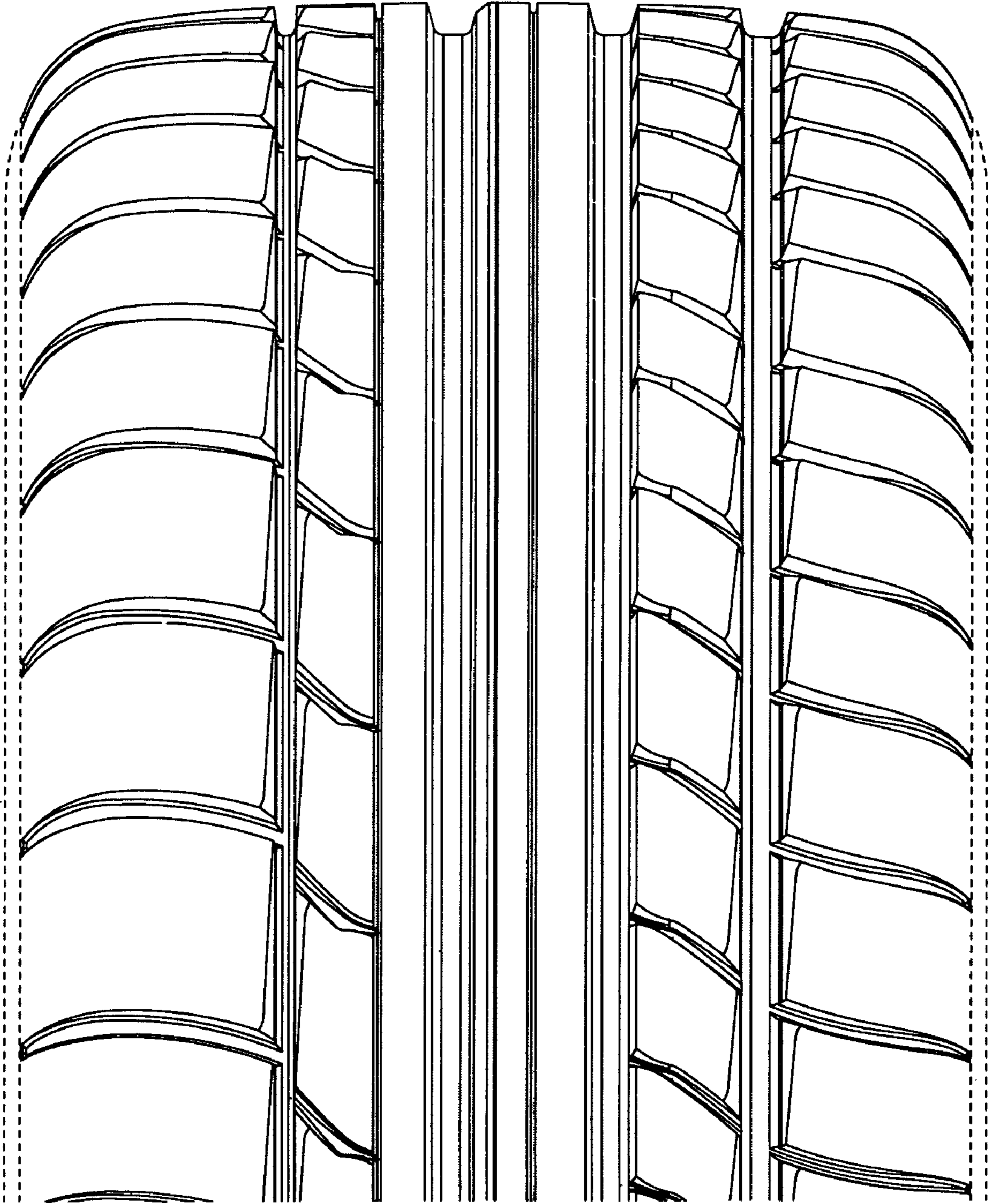


FIG. 5