



US00D651158S

(12) **United States Design Patent**
Berryman et al.

(10) **Patent No.:** **US D651,158 S**

(45) **Date of Patent:** **** Dec. 27, 2011**

(54) **TIRE**

(75) Inventors: **Eric Jon Berryman**, Cuyahoga Falls,
OH (US); **Dale Edward Umstot**,
Atwater, OH (US)

(73) Assignee: **The Goodyear Tire & Rubber
Company**, Akron, OH (US)

(**) Term: **14 Years**

(21) Appl. No.: **29/341,156**

(22) Filed: **Jul. 31, 2009**

(51) **LOC (9) Cl.** **12-15**

(52) **U.S. Cl.** **D12/515**

(58) **Field of Classification Search** D12/500,
D12/505, 514-532, 900-901; 152/209.1-209.28,
152/455

See application file for complete search history.

(56) **References Cited**

U.S. PATENT DOCUMENTS

D490,047 S	5/2004	Heinen et al.	D12/524
D490,048 S	5/2004	Heinen et al.	D12/524
D490,049 S	5/2004	Heinen et al.	D12/524
D512,012 S	11/2005	Delu et al.	D12/517
D512,013 S	11/2005	Delu et al.	D12/521
D522,442 S *	6/2006	Shirouzu	D12/515
D524,231 S	7/2006	Marazzi et al.	D12/521
D524,232 S	7/2006	Heinen et al.	D12/521
D524,233 S	7/2006	Marazzi et al.	D12/521
D531,108 S	10/2006	Marazzi et al.	D12/523
D546,272 S	7/2007	Shinohara et al.	D12/521
D551,156 S	9/2007	Shinohara et al.	D12/521
D558,128 S	12/2007	Delu et al.	D12/521
D598,363 S *	8/2009	Misumi	D12/515
D599,274 S *	9/2009	Sakai et al.	D12/515

D602,842 S *	10/2009	Kang	D12/517
D602,845 S *	10/2009	Sato	D12/517
D603,323 S *	11/2009	Sakai et al.	D12/515
D615,024 S *	5/2010	Lee	D12/515
D624,870 S *	10/2010	Fontaine et al.	D12/517

* cited by examiner

Primary Examiner — Stacia Cadmus

(74) *Attorney, Agent, or Firm* — Richard B. O'Planick

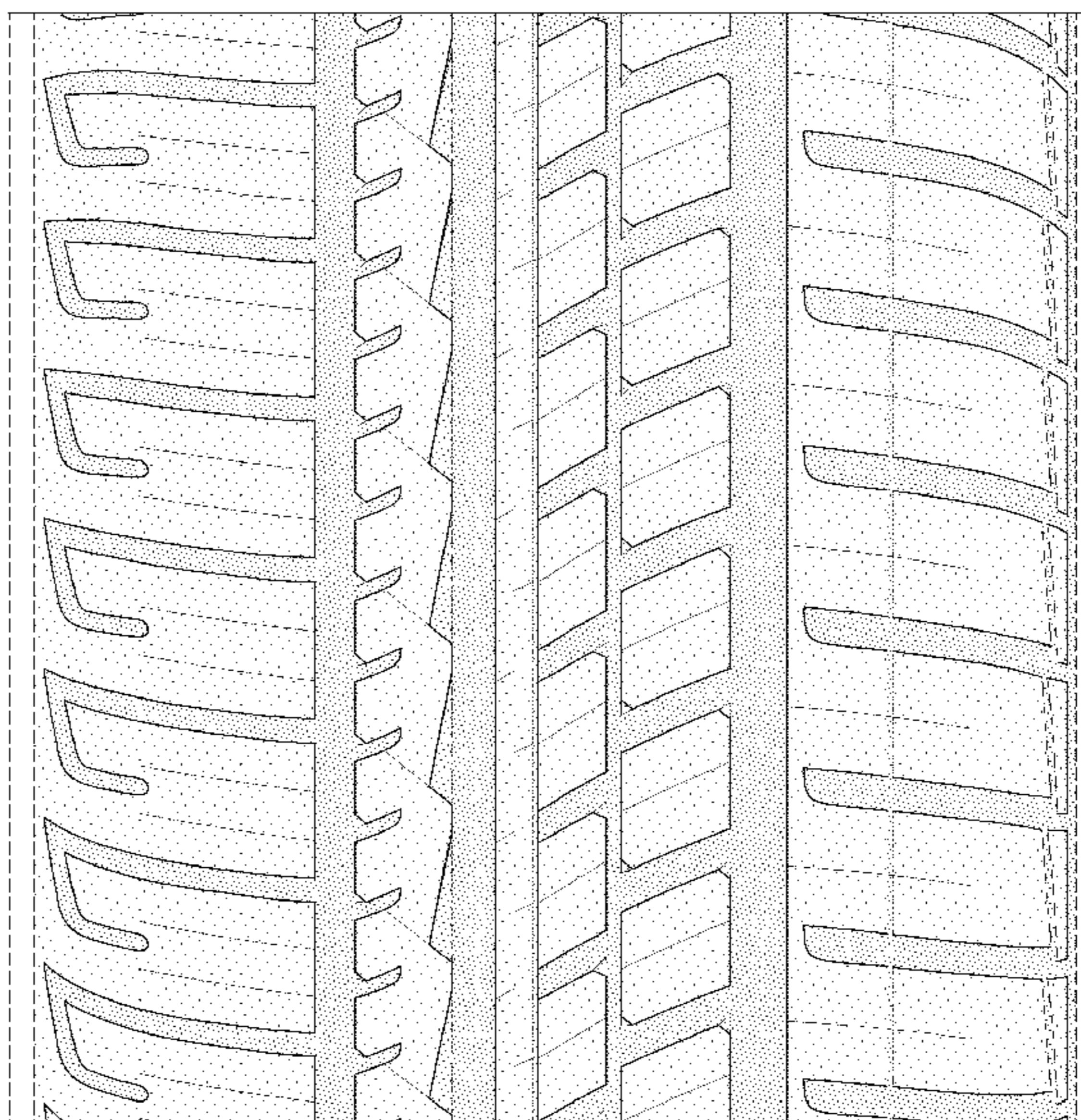
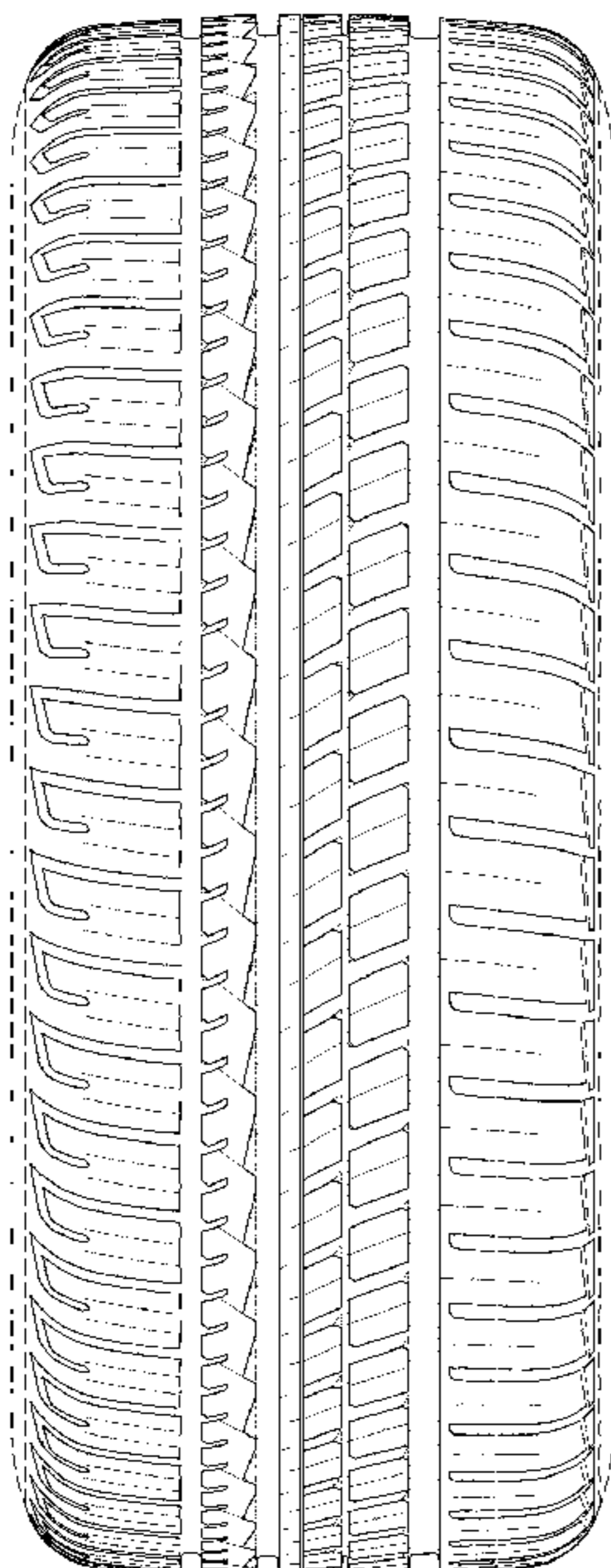
(57) **CLAIM**

The ornamental design for a tire, as shown and described.

DESCRIPTION

FIG. 1 is a perspective view of a tire showing our new design, it being understood that the pattern repeats uniformly throughout the circumference of the tread;
 FIG. 2 is a front elevational view thereof;
 FIG. 3 is a right side elevational view thereof;
 FIG. 4 is a left side elevational view thereof;
 FIG. 5 is an enlarged fragmentary front elevational view thereof;
 FIG. 6 is a perspective view of a second embodiment of a tire showing our new design, it being understood that the pattern repeats uniformly throughout the circumference of the tread; and,
 FIG. 7 is a front elevational view of a second embodiment, it being understood that an enlarged fragmentary view thereof would be substantially identical to that shown in FIG. 5, with the exception of the inclusion of the sidewall in solid lines.
 In the drawings, the broken lines showing of the sidewall, inner bead and the peripheral boundary between the tire tread and the sidewall in FIGS. 1 through 5 depict environmental subject matter and form no part of the claimed design.

1 Claim, 7 Drawing Sheets



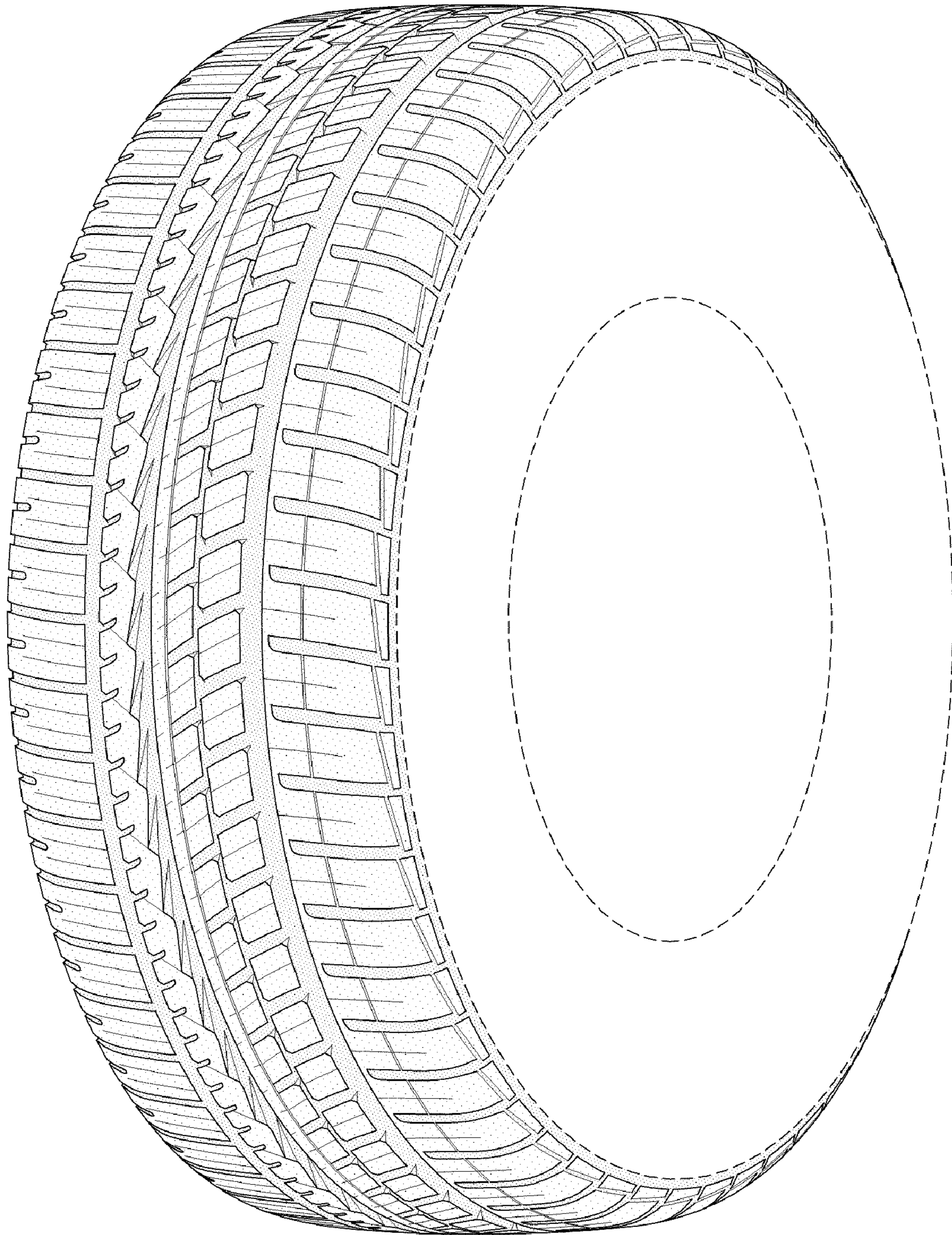


FIG-1

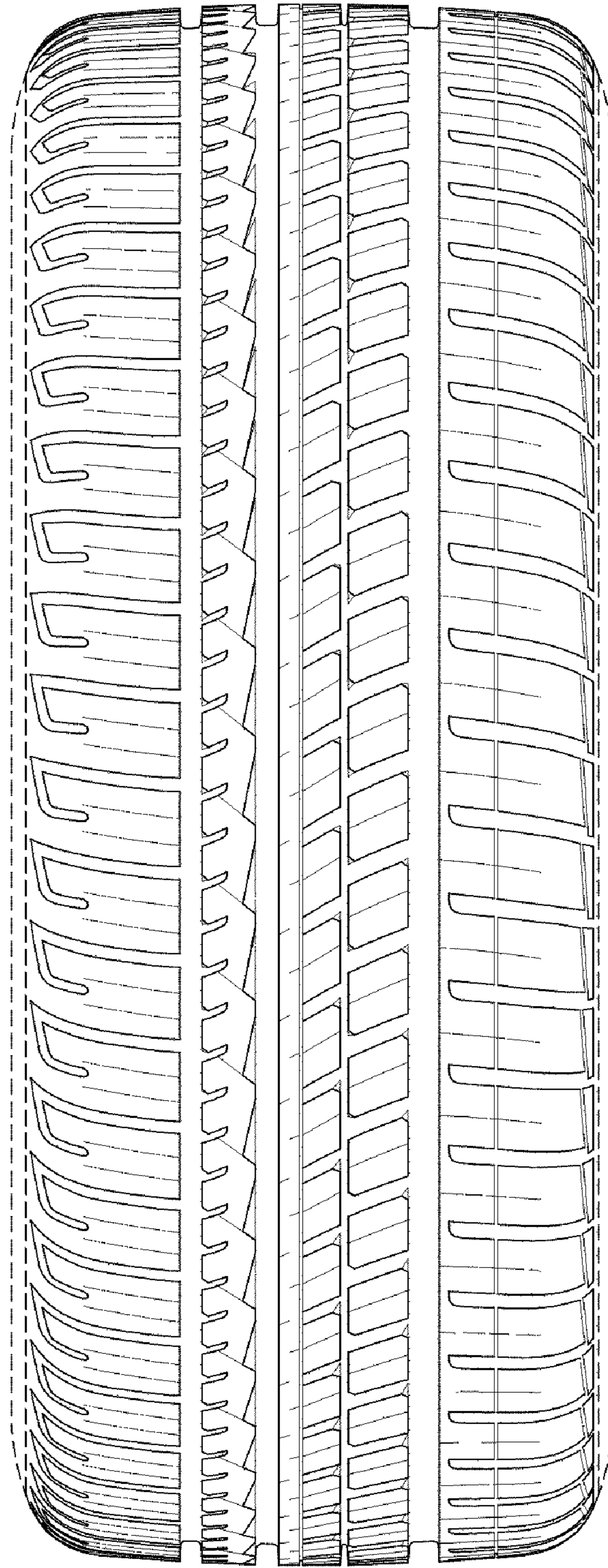


FIG-2

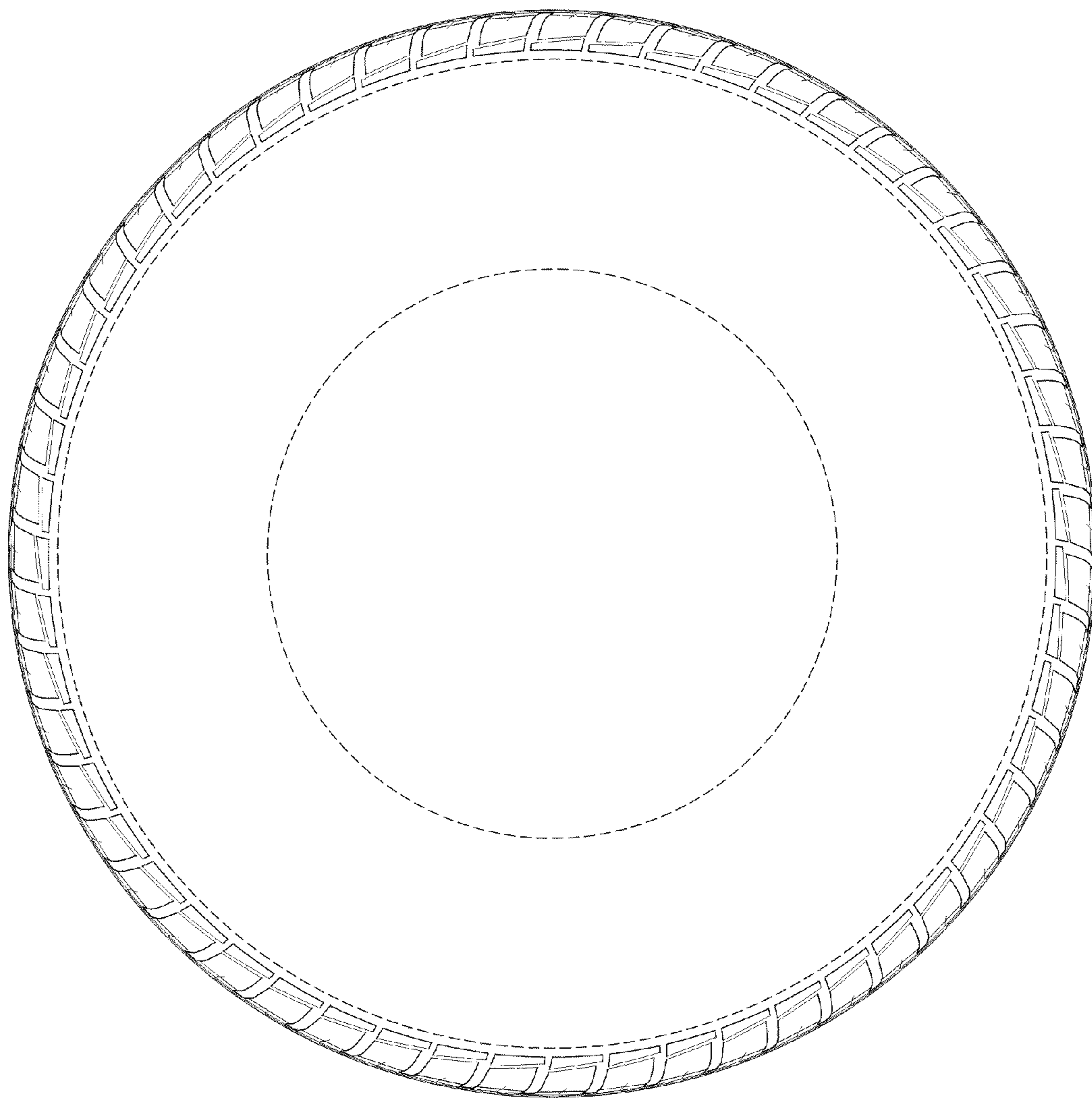


FIG-3

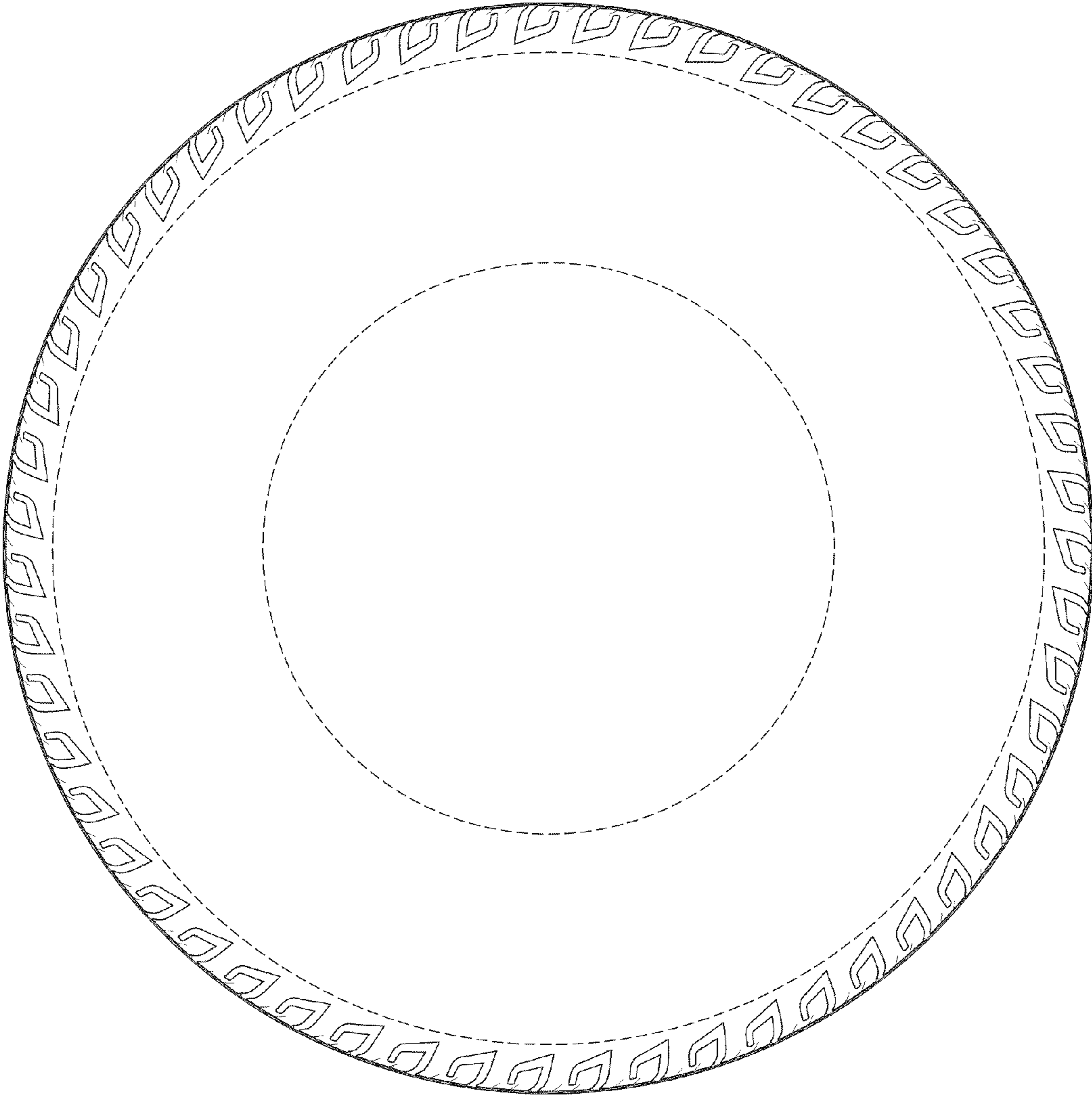


FIG-4

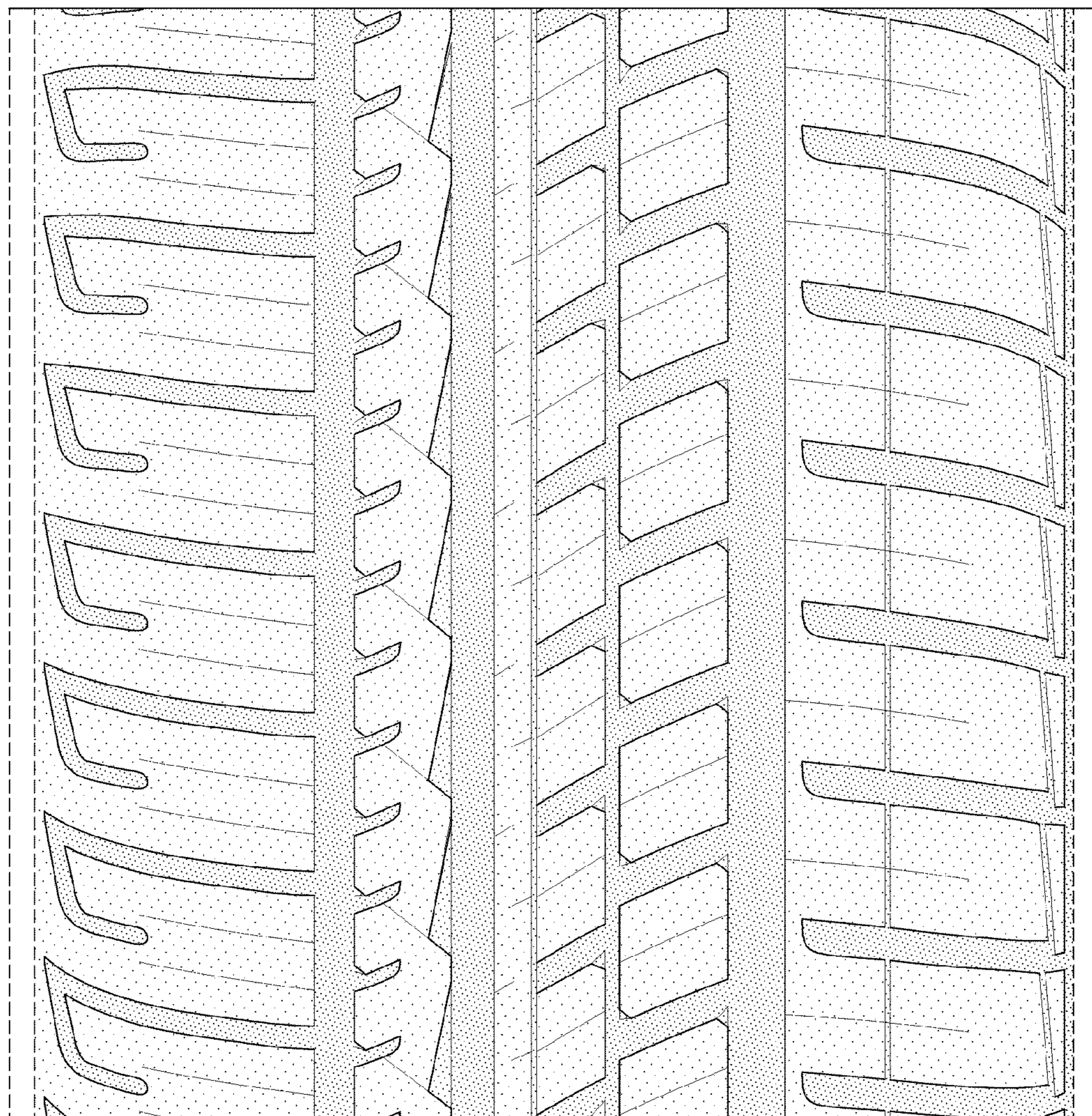


FIG-5

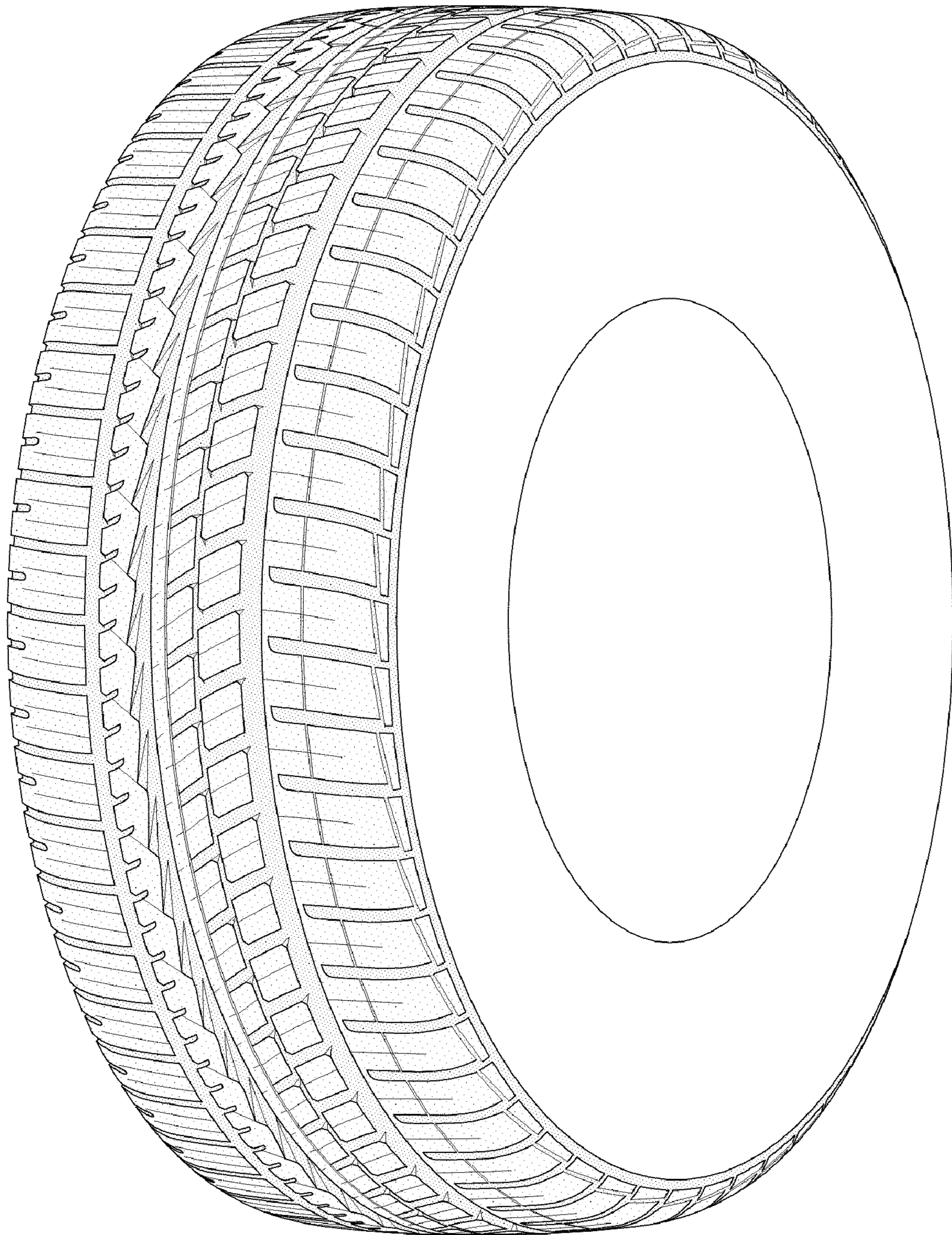


FIG-6

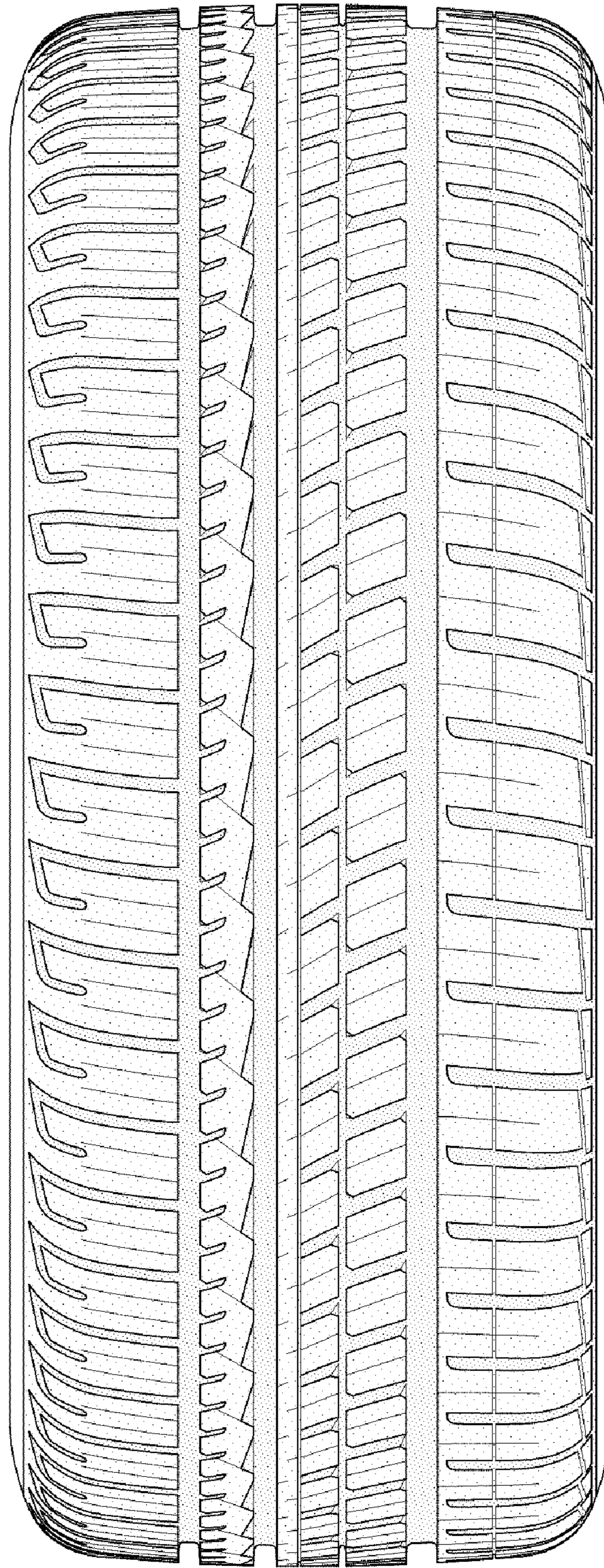


FIG-7