



US00D651154S

(12) **United States Design Patent**
Almestad

(10) **Patent No.:** **US D651,154 S**

(45) **Date of Patent:** **** Dec. 27, 2011**

(54) **MOORING FINGER**

(75) Inventor: **Roy Lennart Almestad, Örsta (NO)**

(73) Assignee: **Orsta Marina Systems AS, Orsta (NO)**

(**) Term: **14 Years**

(21) Appl. No.: **29/387,708**

(22) Filed: **Mar. 17, 2011**

(30) **Foreign Application Priority Data**

Sep. 21, 2010 (NO) 20100468

(51) **LOC (9) Cl.** **12-06**

(52) **U.S. Cl.** **D12/317**

(58) **Field of Classification Search** D12/300,
D12/316, 317; D21/803; 114/45, 46, 263,
114/266, 267; 405/219

See application file for complete search history.

(56) **References Cited**

U.S. PATENT DOCUMENTS

D290,744 S *	7/1987	Whitley, II	D23/388
4,708,083 A *	11/1987	Billings	114/230.17
D297,004 S *	8/1988	Henriksen	D12/316
4,848,260 A *	7/1989	Hamilton et al.	114/266
4,979,453 A *	12/1990	Sloan et al.	114/263

5,085,165 A *	2/1992	Reed	114/362
D351,903 S *	10/1994	Whitley, II	D23/388
D405,044 S *	2/1999	Dietlin	D12/316
6,230,644 B1 *	5/2001	Passen et al.	114/263
D480,040 S *	9/2003	Beasley	D12/300
D482,315 S *	11/2003	Bridge et al.	D12/316
D520,935 S *	5/2006	Schoell	D12/317
D521,442 S *	5/2006	Ostreng et al.	D12/316

* cited by examiner

Primary Examiner — Cynthia M Chin

(74) *Attorney, Agent, or Firm* — Dennison, Schultz & MacDonald

(57) **CLAIM**

The ornamental design for a mooring finger, as shown and described.

DESCRIPTION

FIG. 1 is a front left perspective view showing my new design; FIG. 2 is a top plan view thereof; FIG. 3 is a bottom plan view thereof;

FIG. 4 is a left elevational view thereof;

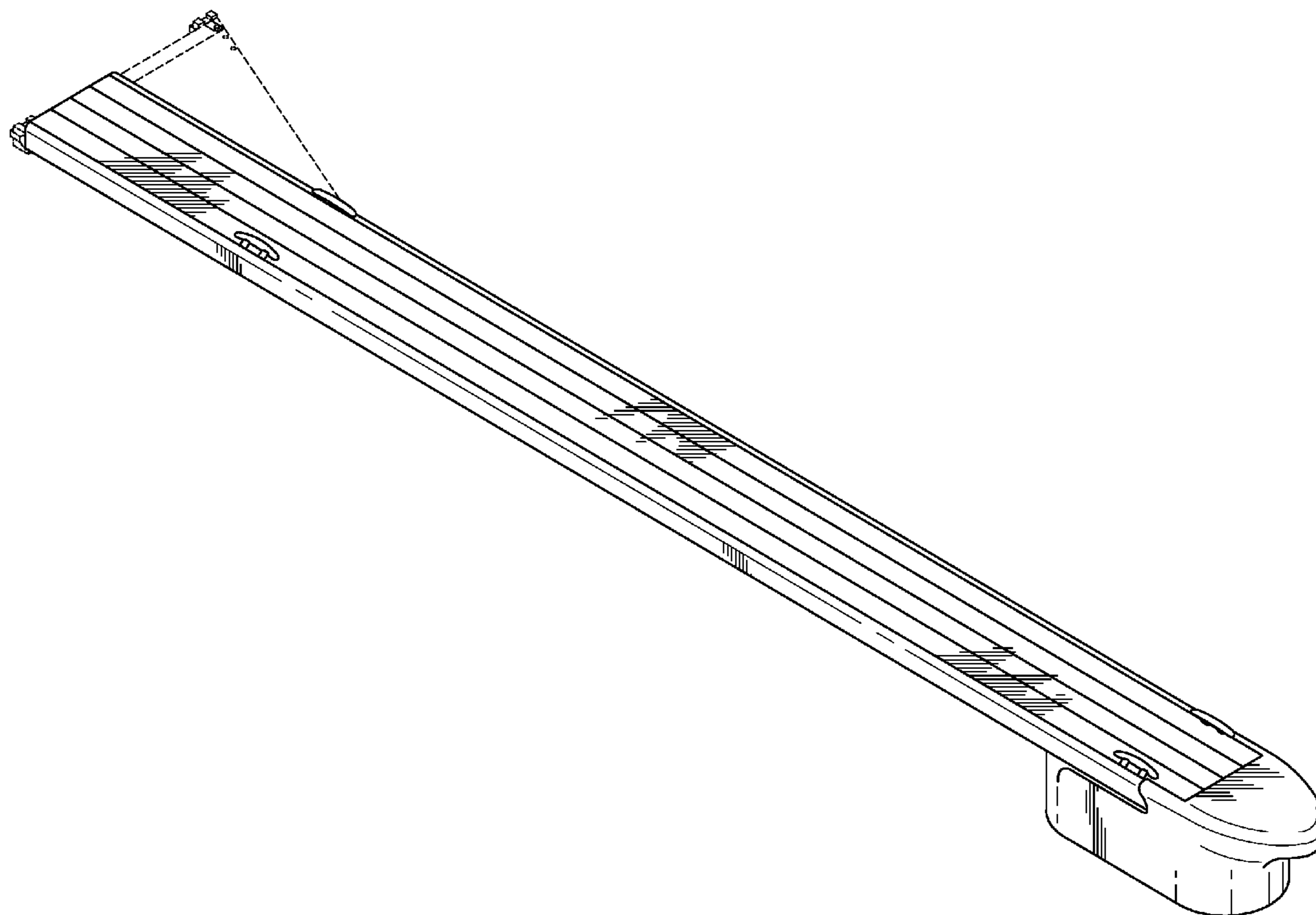
FIG. 5 is a right elevational view thereof;

FIG. 6 is a front elevational view thereof; and,

FIG. 7 is a rear elevational view thereof.

The broken lines represent portions of the article that form no part of the claim.

1 Claim, 3 Drawing Sheets



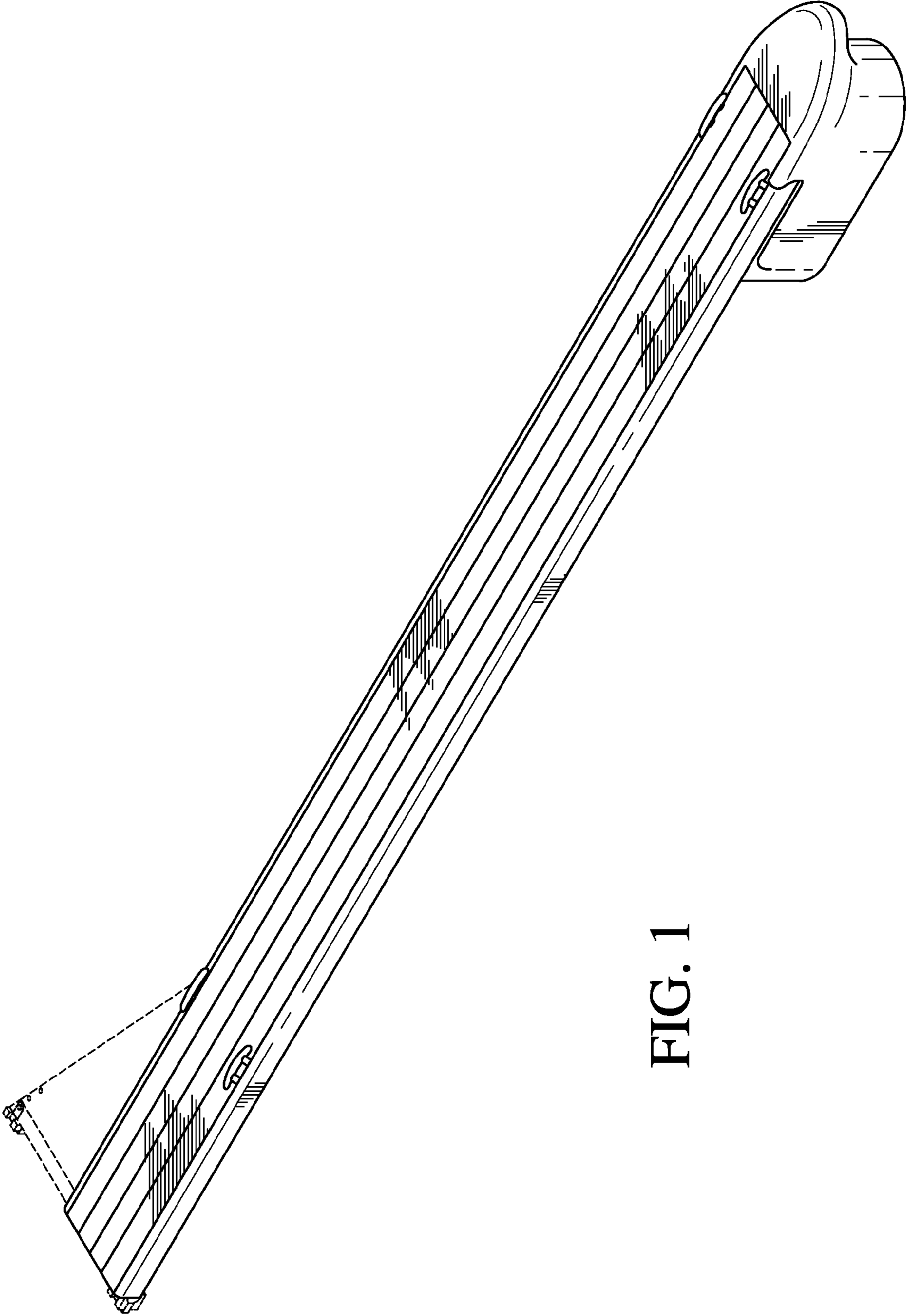


FIG. 1

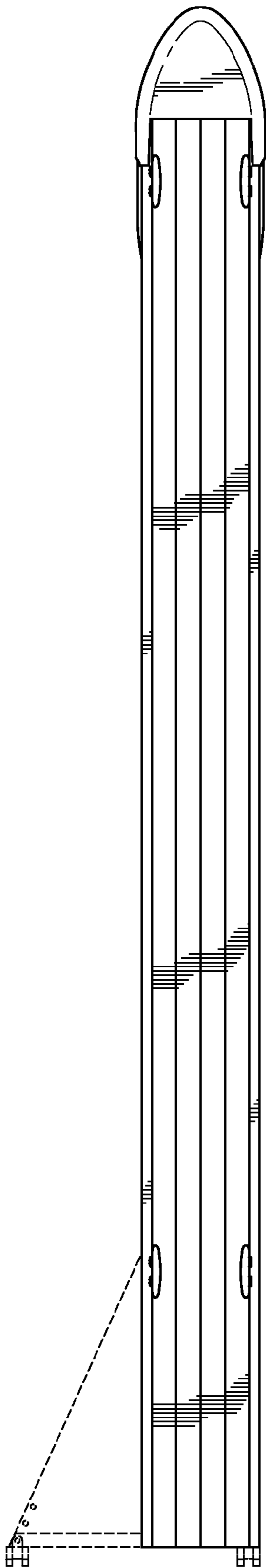


FIG. 2

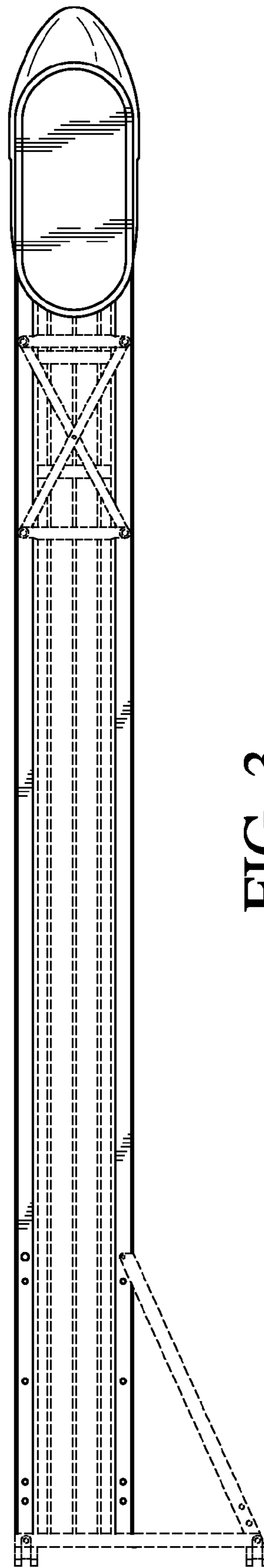


FIG. 3

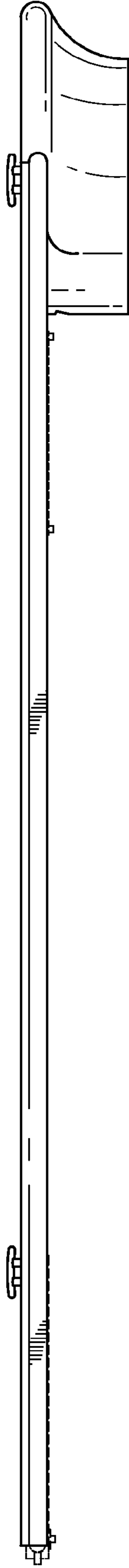


FIG. 4

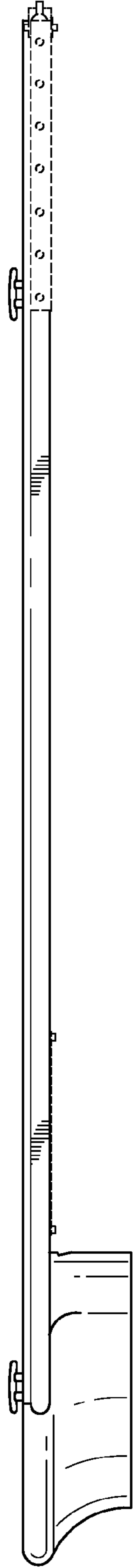


FIG. 5

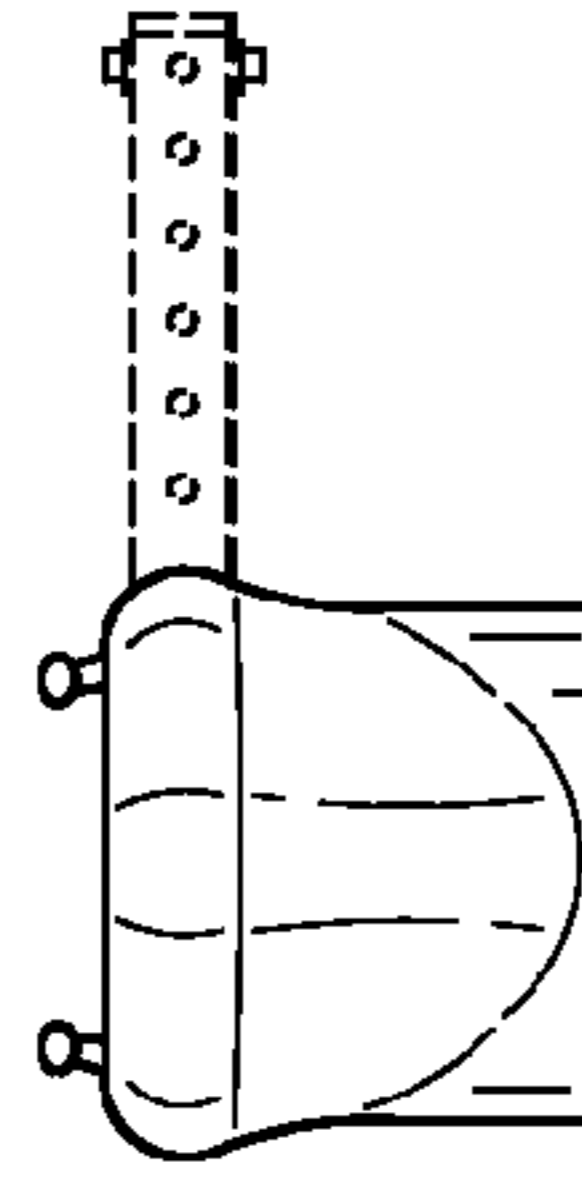


FIG. 6

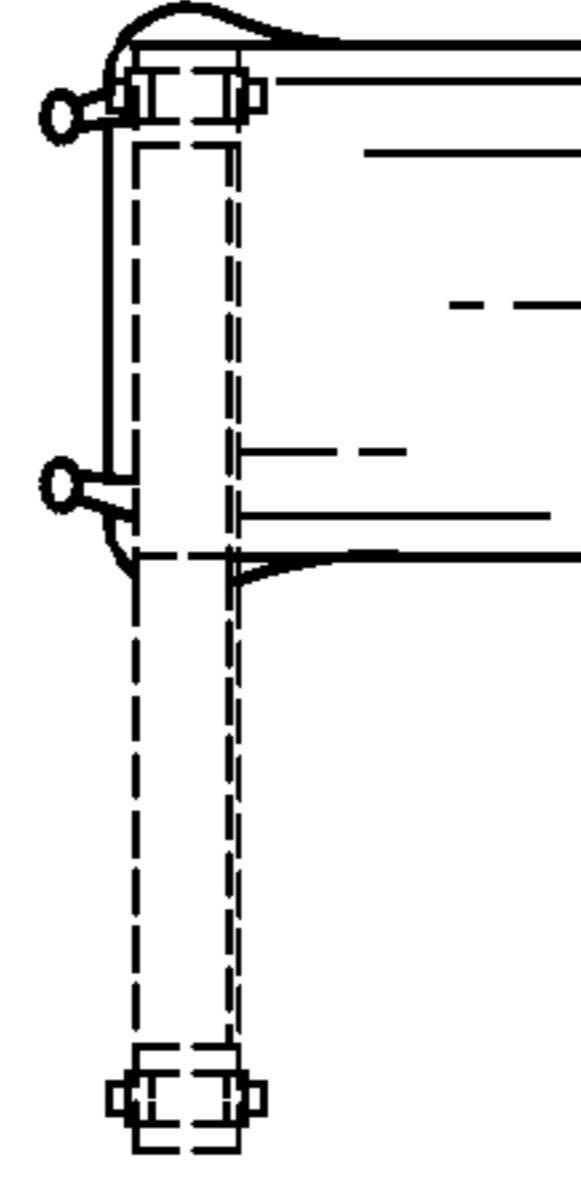


FIG. 7