



US00D651153S

(12) **United States Design Patent**
Branaman et al.

(10) **Patent No.:** **US D651,153 S**
(45) **Date of Patent:** **** Dec. 27, 2011**

(54) **BOARD TRANSPORT APPARATUS**

(76) Inventors: **Douglas Branaman**, Granite Bay, CA
(US); **Donna Branaman**, Granite Bay,
CA (US)

(**) Term: **14 Years**

(21) Appl. No.: **29/386,016**

(22) Filed: **Feb. 23, 2011**

Related U.S. Application Data

(63) Continuation of application No. 11/716,933, filed on
Mar. 12, 2007.

(51) **LOC (9) Cl.** **12-06**

(52) **U.S. Cl.** **D12/223**

(58) **Field of Classification Search** D8/354;
D12/223, 114, 106, 420; 211/70.6, 40.8;
224/420, 449; 248/74.2, 218.4, 287.1
See application file for complete search history.

(56) **References Cited**

U.S. PATENT DOCUMENTS

541,889	A	7/1895	Steen	
3,659,761	A	5/1972	Wesson	
4,607,772	A	8/1986	Hancock	
4,792,072	A	12/1988	Gibson	
5,344,032	A	9/1994	Ramsdell	
D376,535	S *	12/1996	Gary et al.	D8/395
5,639,001	A	6/1997	Brady	
D386,298	S *	11/1997	Hancock	D3/218
D386,304	S *	11/1997	Hancock	D3/262
D389,450	S *	1/1998	Wilson	D12/223
D394,600	S *	5/1998	McCoy et al.	D8/354
5,915,572	A *	6/1999	Hancock	211/64
5,992,811	A	11/1999	McFerren et al.	
6,029,874	A	2/2000	Meggitt	
6,588,637	B2 *	7/2003	Gates et al.	224/546
D480,337	S	10/2003	Wanser et al.	
6,648,152	B2	11/2003	Bernes	

6,910,592	B1 *	6/2005	Lindenmeyer	211/70.8
6,929,223	B2	8/2005	Hancock et al.	
6,932,224	B1 *	8/2005	Sandberg	211/70.8
D516,402	S *	3/2006	Gates et al.	D8/71
7,237,685	B2 *	7/2007	Keegan et al.	211/70.8
D562,675	S *	2/2008	Cox et al.	D8/395
D572,119	S *	7/2008	Wells et al.	D8/354
D601,936	S *	10/2009	Mirabal	D12/223
D626,494	S *	11/2010	Gates et al.	D12/412
2005/0092798	A1 *	5/2005	Borgman et al.	224/420

OTHER PUBLICATIONS

Office Action dated Mar. 16, 2010 from U.S. Appl. No. 11/716,933 (8 pages).

Office Action dated Nov. 23, 2010 from U.S. Appl. No. 11/716,933 (15 pages).

* cited by examiner

Primary Examiner — Cynthia M Chin

Assistant Examiner — Sheryl Lane

(74) *Attorney, Agent, or Firm* — Workman Nydegger

(57) **CLAIM**

The ornamental design for a board transport apparatus, as shown and described.

DESCRIPTION

FIG. 1 is a front environmental perspective view showing a board transport apparatus secured upon a bicycle handle bars; FIG. 2 is a side perspective view of the board transport apparatus;

FIG. 3 is a side elevational view thereof, the opposing side view being a mirror image thereof;

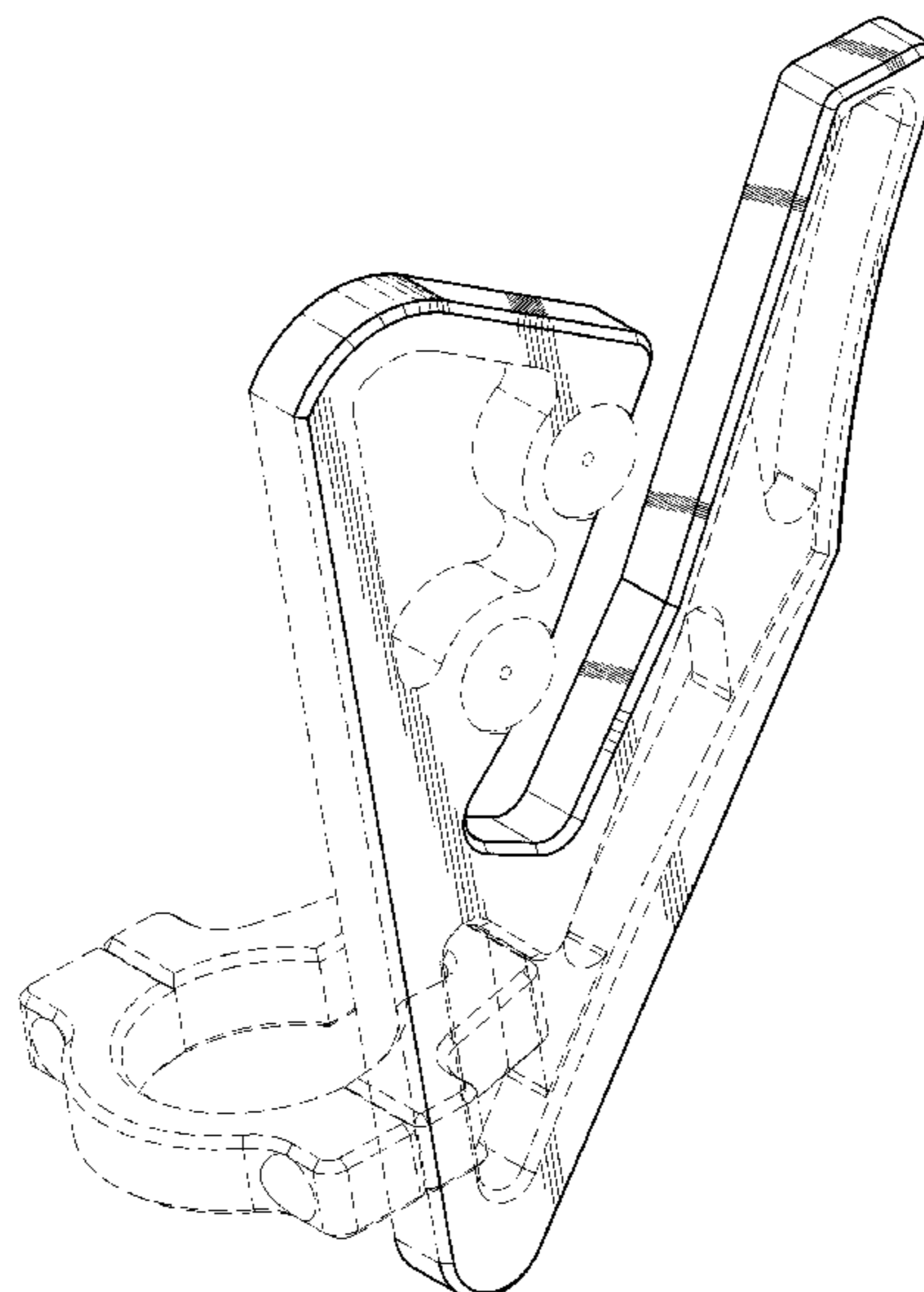
FIG. 4 is a back elevational view thereof;

FIG. 5 is a front elevational view thereof; and,

FIG. 6 is a top plan view thereof.

The broken lines are included for the purpose of showing unclaimed subject matter and forms no part of the claimed design.

1 Claim, 5 Drawing Sheets



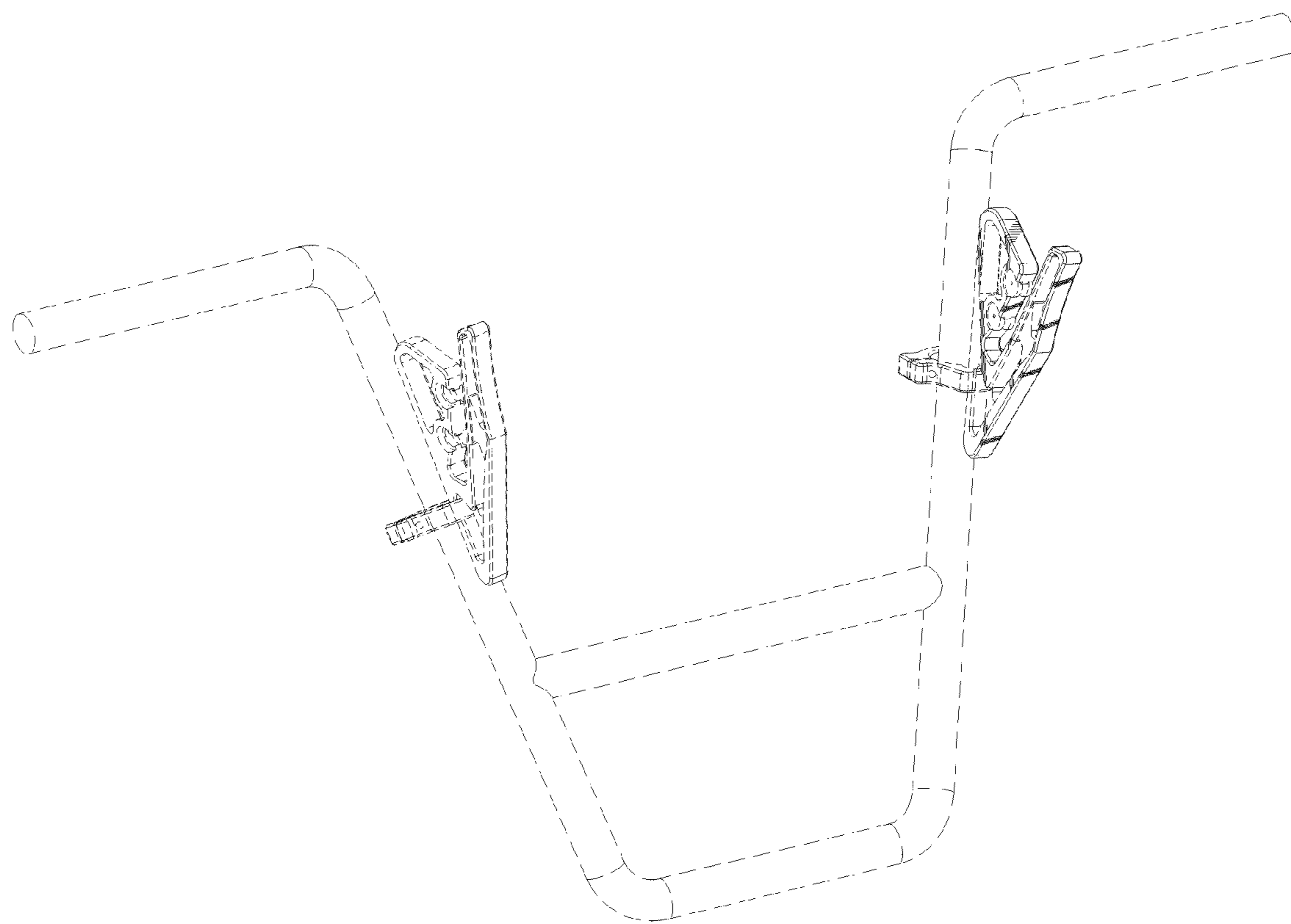


Fig. 1

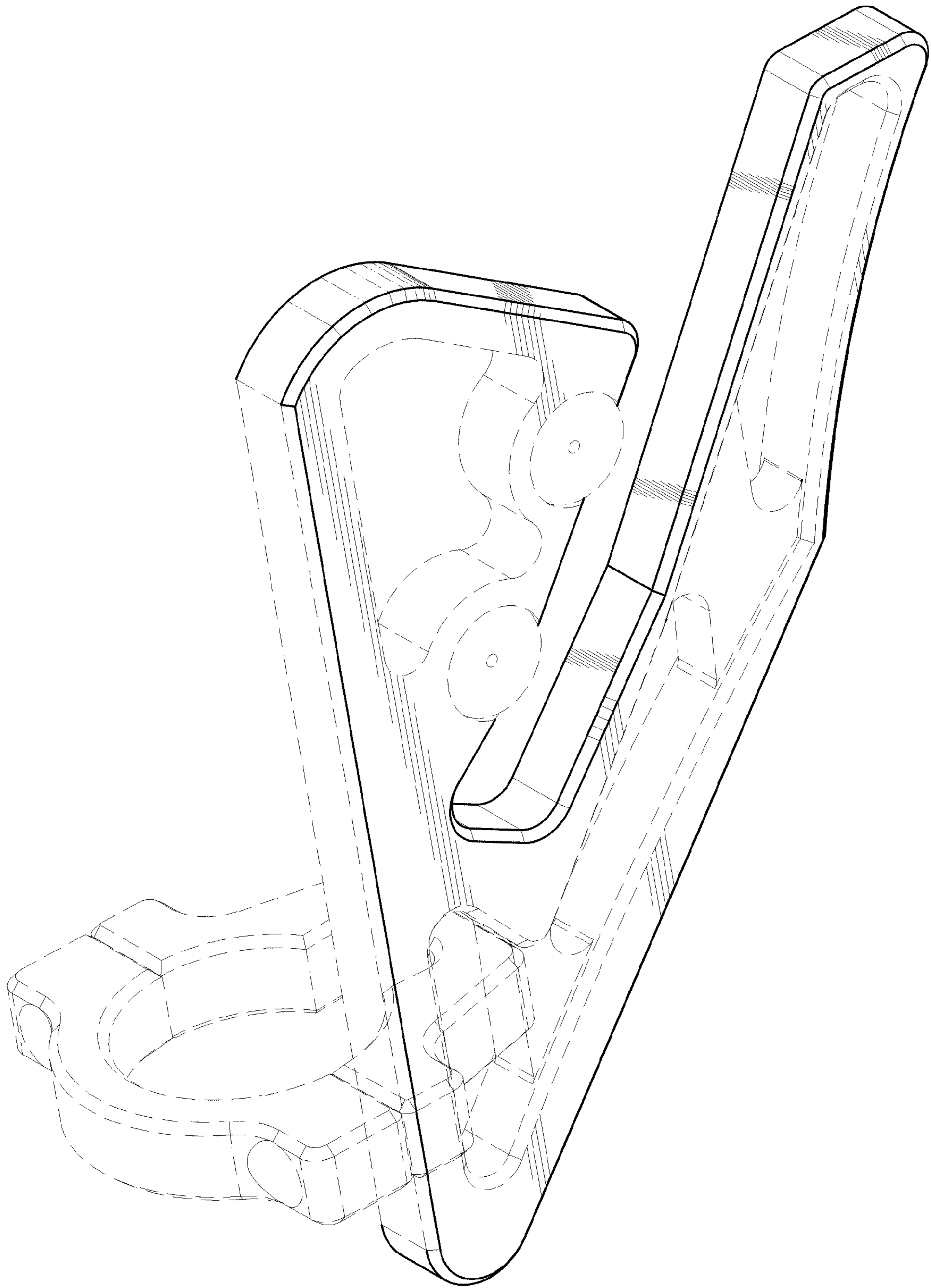


Fig. 2

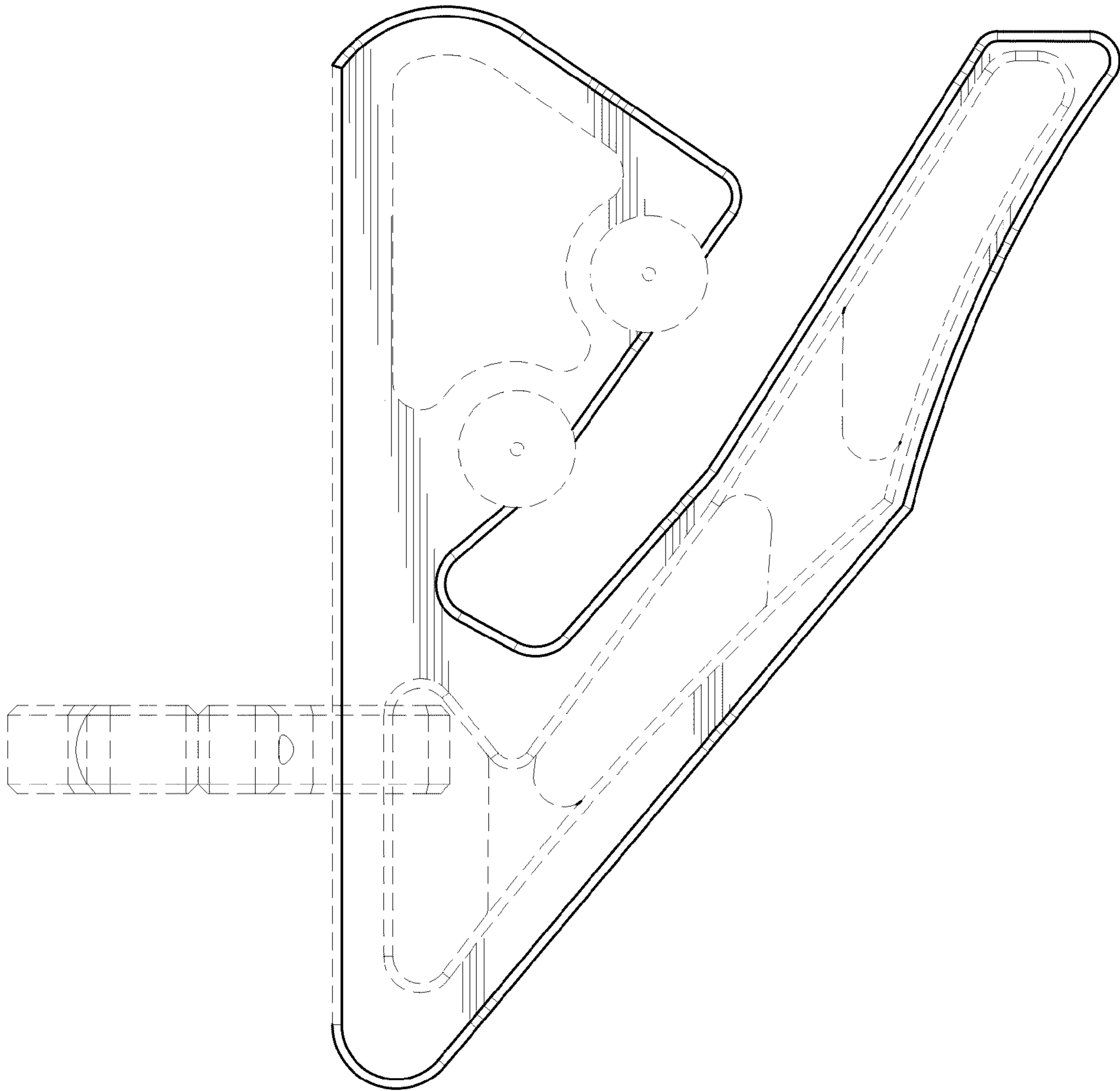


Fig. 3

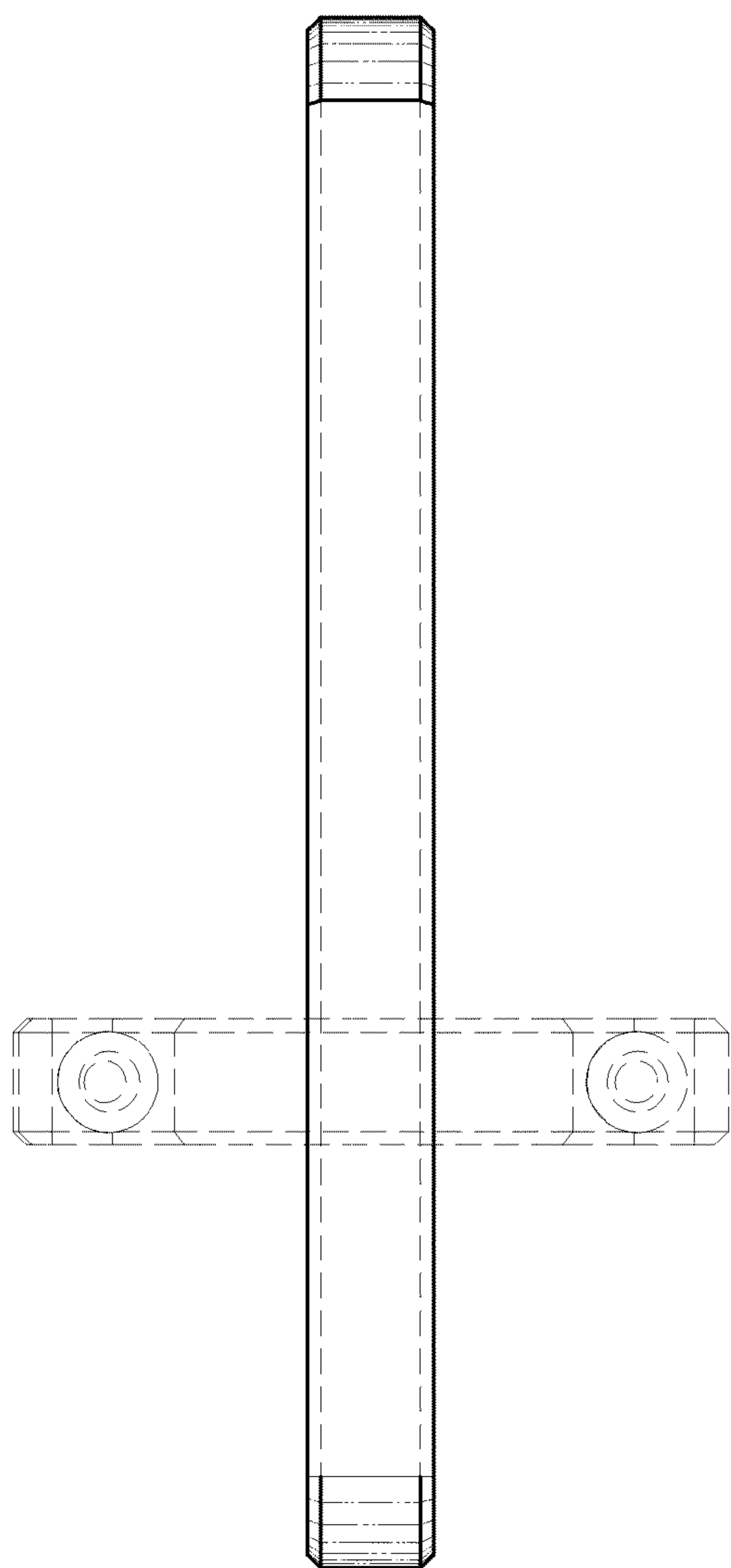


Fig. 4

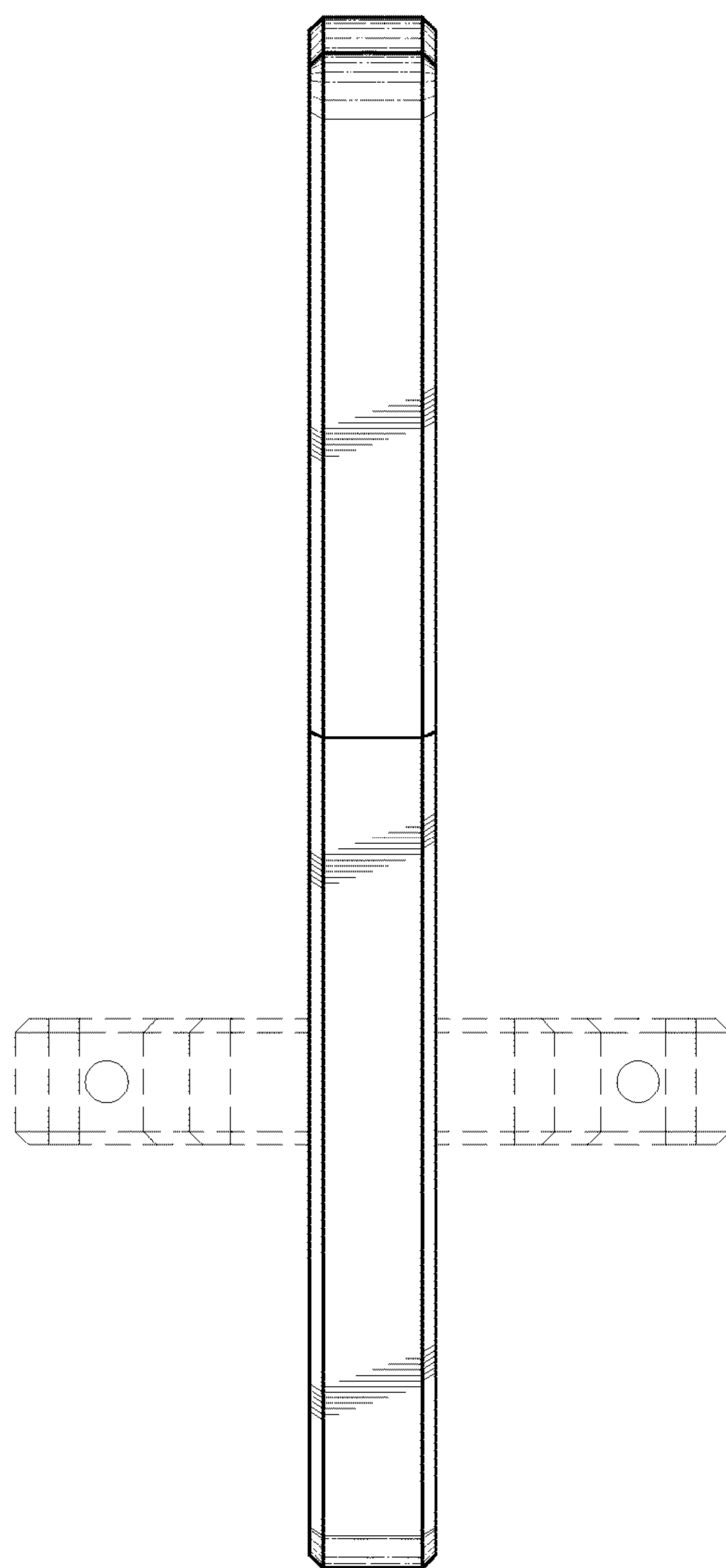


Fig. 5

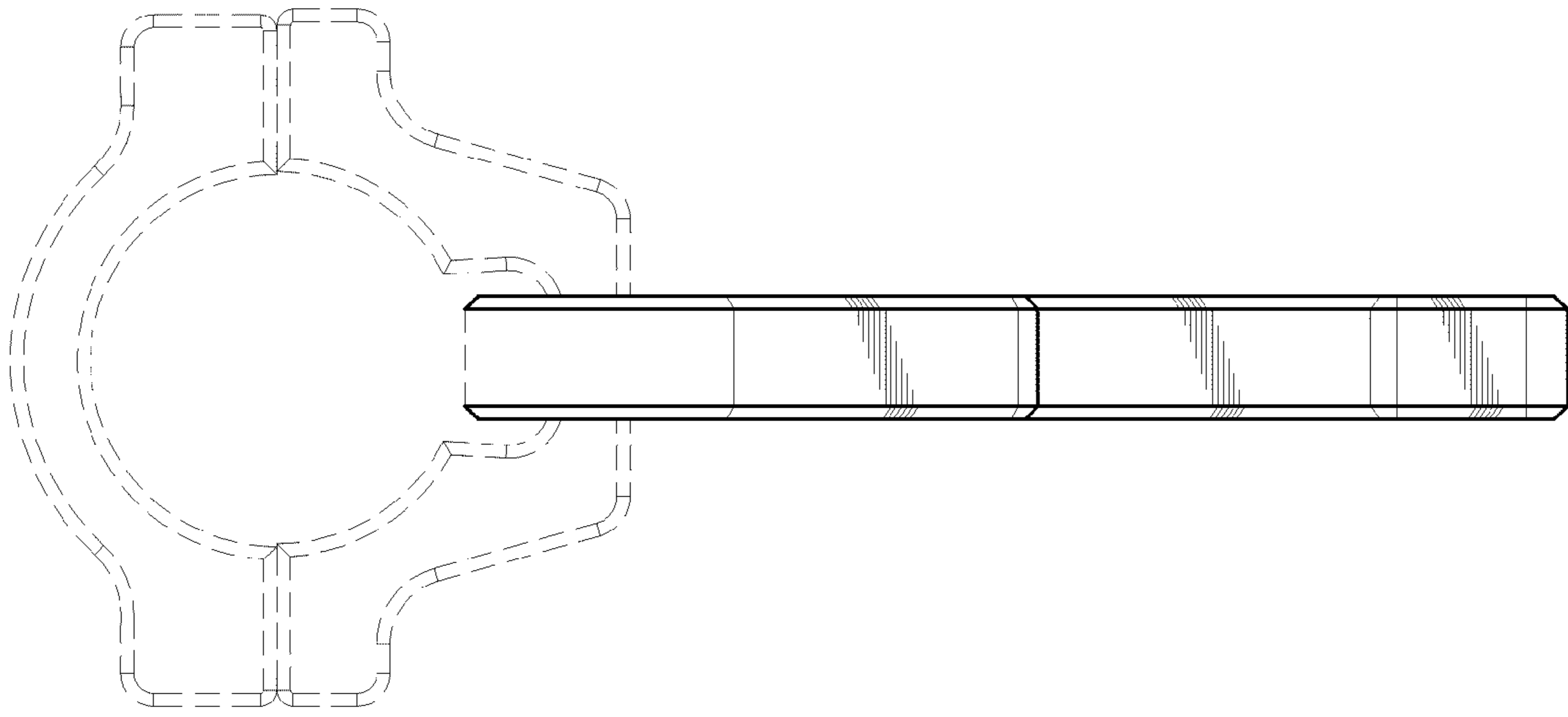


Fig. 6