



US00D651151S

(12) **United States Design Patent**
Biewer

(10) **Patent No.:** **US D651,151 S**

(45) **Date of Patent:** **** Dec. 27, 2011**

(54) **WHEEL COVER**

(75) Inventor: **Frederik Biewer**, Haibach (DE)

(73) Assignee: **SAF-Holland GmbH**, Bessenbach (DE)

(**) Term: **14 Years**

(21) Appl. No.: **29/363,846**

(22) Filed: **Jun. 15, 2010**

(30) **Foreign Application Priority Data**

Dec. 22, 2009 (DE) 40 2009006 249

(51) **LOC (9) Cl.** **12-16**

(52) **U.S. Cl.** **D12/207**

(58) **Field of Classification Search** D12/204-213;
301/37.101, 64.101, 65, 64.201, 37.376
See application file for complete search history.

(56) **References Cited**

U.S. PATENT DOCUMENTS

D248,748 S * 8/1978 Siroonian D12/207
D498,447 S * 11/2004 Kato D12/207

D535,931 S * 1/2007 Beigel et al. D12/204
D536,291 S * 2/2007 Wright et al. D12/207
D538,726 S * 3/2007 Wright et al. D12/207
D538,727 S * 3/2007 Wright et al. D12/207
D566,028 S * 4/2008 Wright et al. D12/207
D583,290 S * 12/2008 Wang D12/207
D585,801 S * 2/2009 Wang D12/207
D627,697 S * 11/2010 Wang D12/207
D629,731 S * 12/2010 Wang D12/207

* cited by examiner

Primary Examiner — Stacia Cadmus

(74) *Attorney, Agent, or Firm* — Price Heneveld LLP

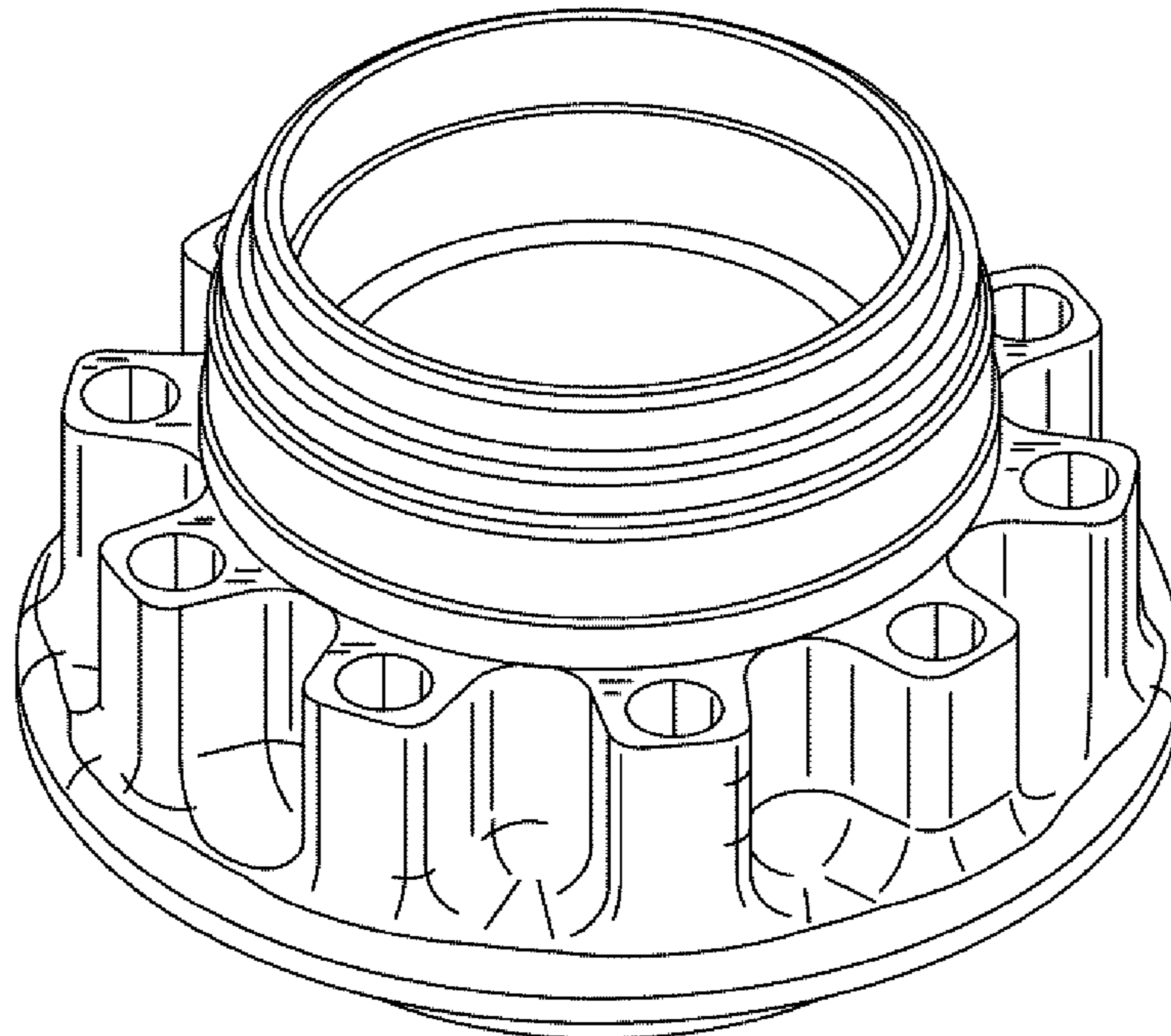
(57) **CLAIM**

I claim the ornamental design for a wheel cover, as shown.

DESCRIPTION

FIG. 1 is a perspective view of a wheel cover;
FIG. 2 is a front elevational view of the wheel cover;
FIG. 3 is an elevational view of a side of the wheel cover, the
opposite side being a mirror image thereof;
FIG. 4 is a rear elevational view of the wheel cover; and,
FIG. 5 is a top plan view of the wheel cover, the bottom plan
view being a mirror image thereof.

1 Claim, 1 Drawing Sheet



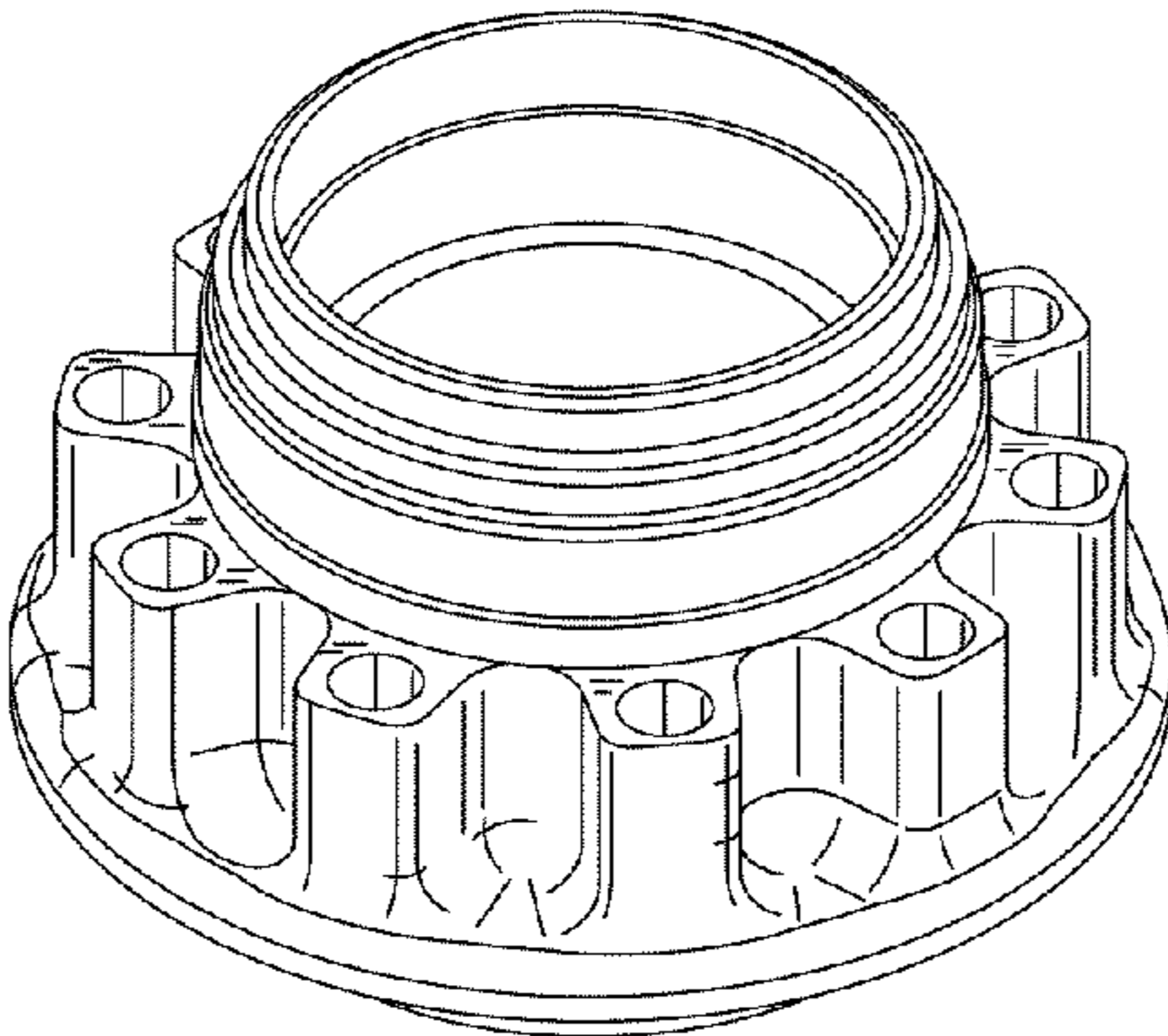


FIG. 1

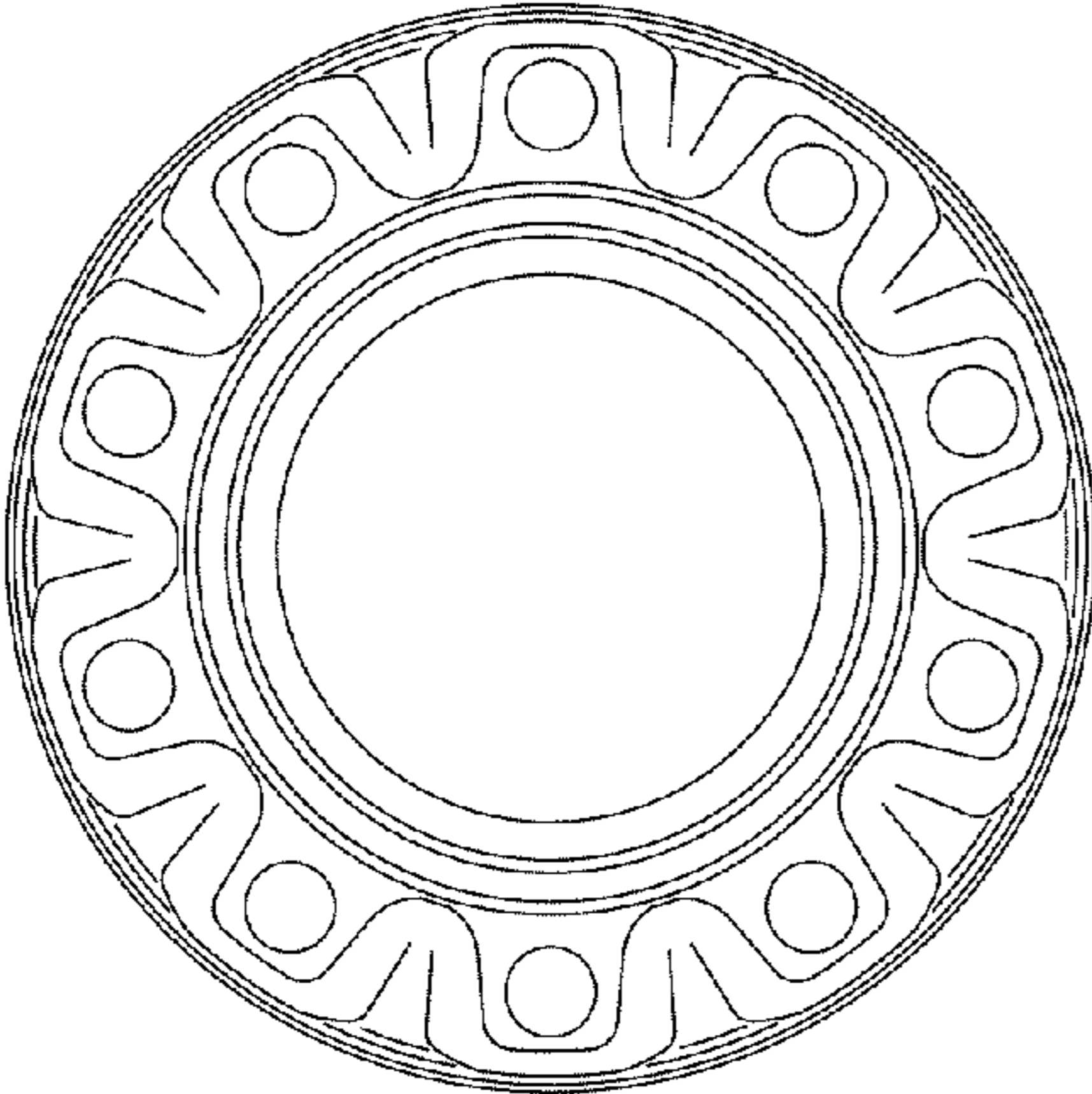


FIG. 2

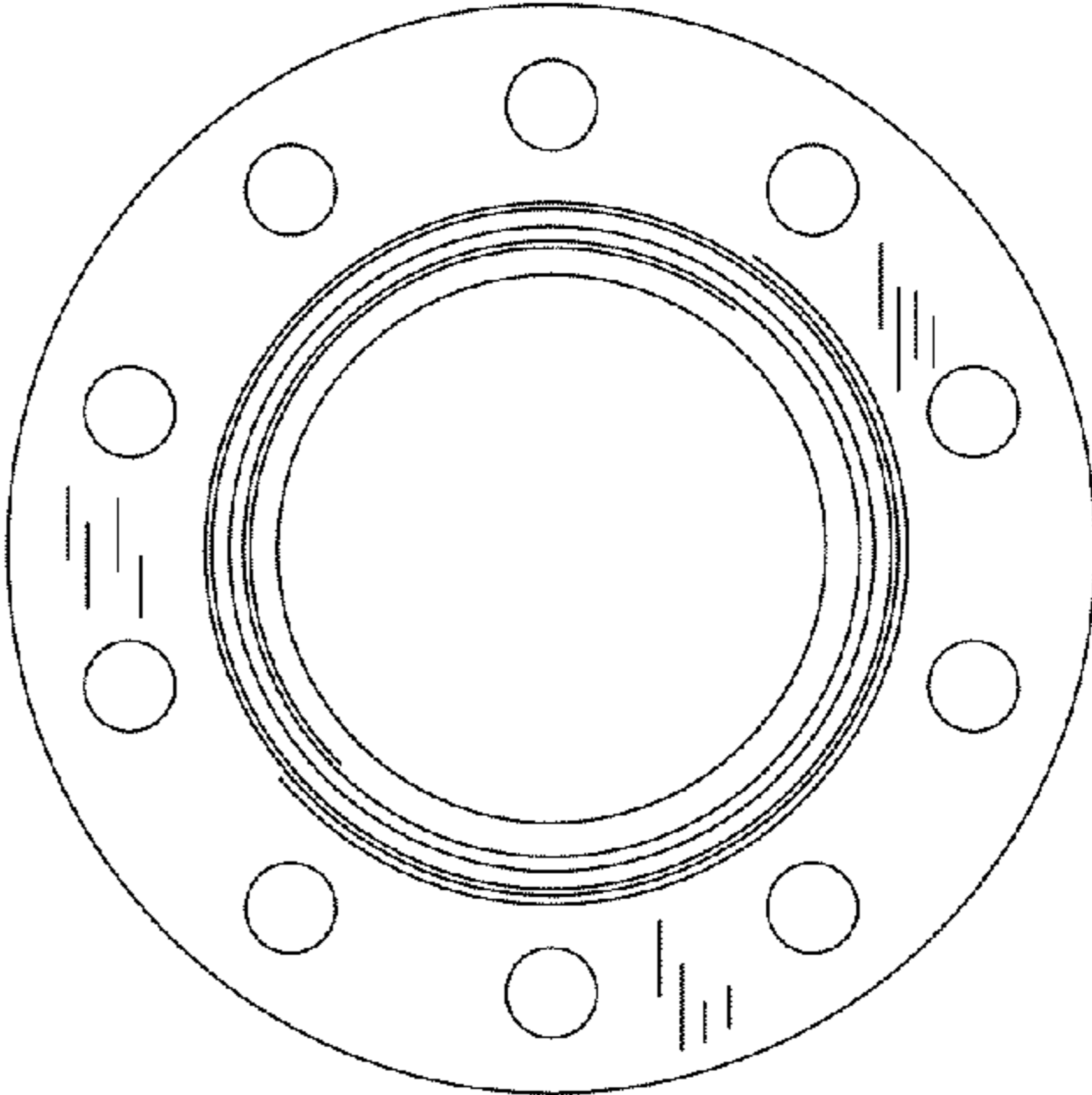


FIG. 3

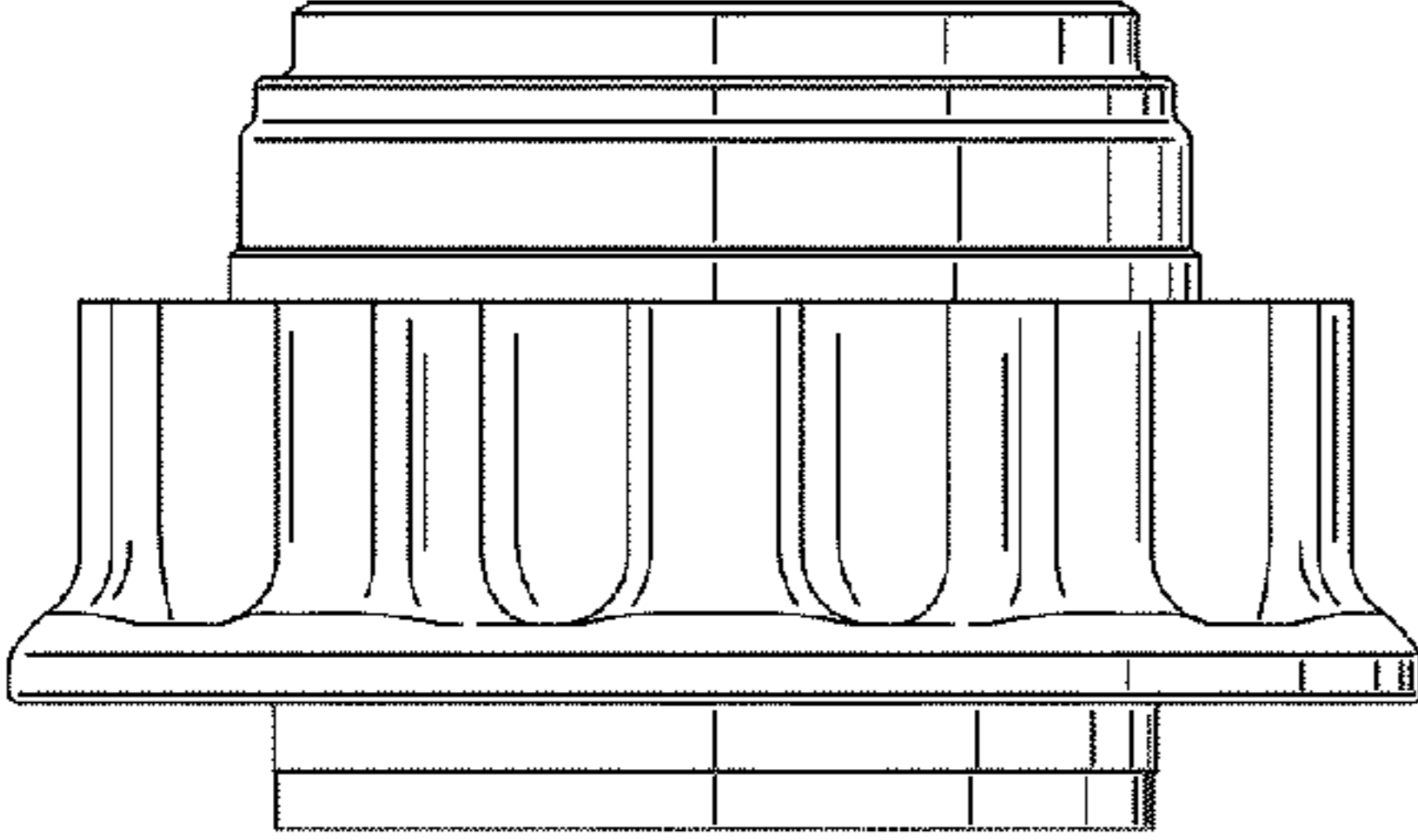


FIG. 4

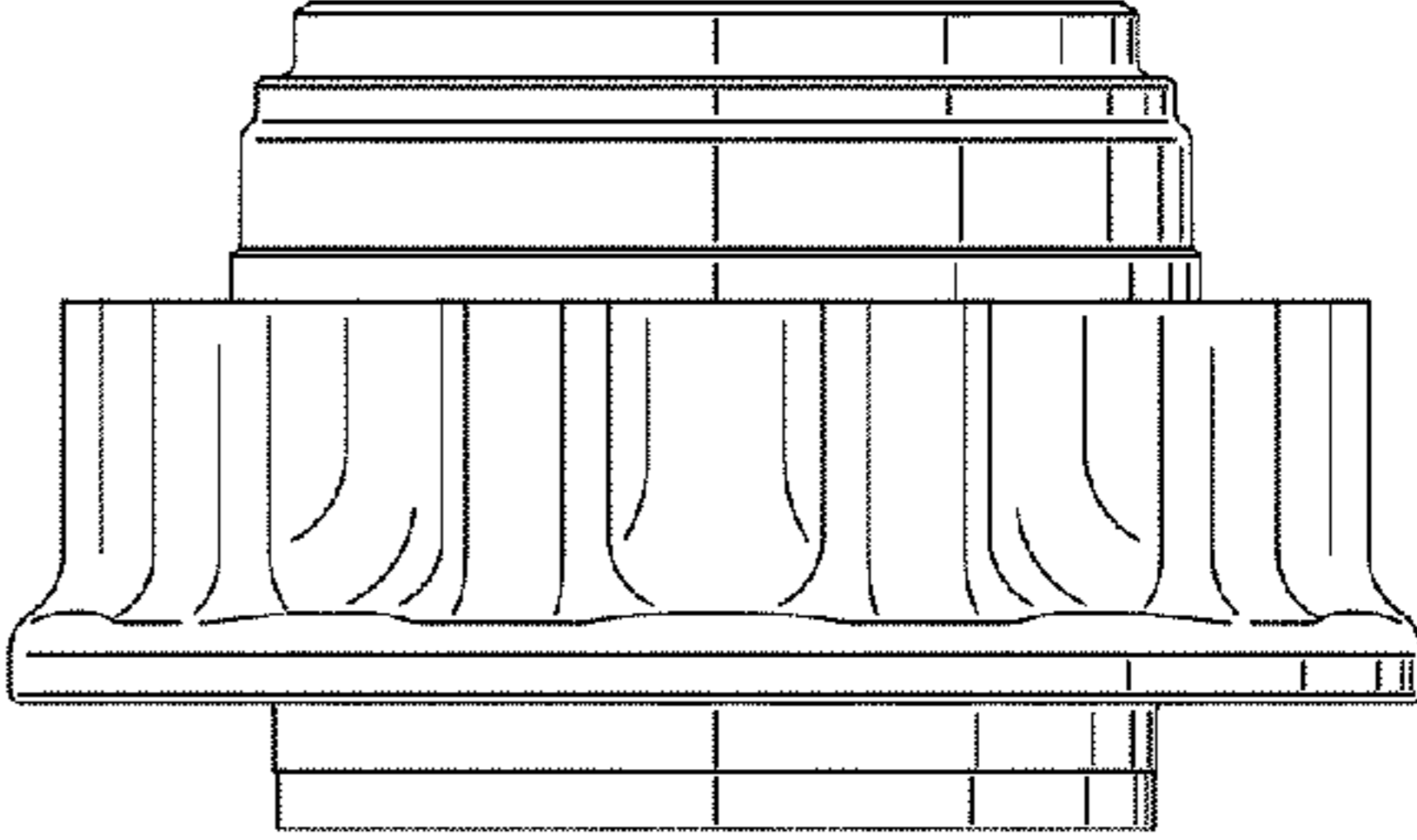


FIG. 5