



US00D651148S

(12) **United States Design Patent**
Stimel, Jr.

(10) **Patent No.:** **US D651,148 S**

(45) **Date of Patent:** **** Dec. 27, 2011**

(54) **AERODYNAMIC WHEEL COVER**

(75) Inventor: **William E. Stimel, Jr.**, Alexandria, OH
(US)

(73) Assignee: **CVG Management Corporation**, New
Albany, OH (US)

(**) Term: **14 Years**

(21) Appl. No.: **29/369,688**

(22) Filed: **Sep. 11, 2010**

(51) **LOC (9) Cl.** **12-16**

(52) **U.S. Cl.** **D12/202; D12/185**

(58) **Field of Classification Search** D12/184,
D12/196, 90-92, 181, 202, 185, 96, 93; 280/152.1,
280/847-851; 296/181.1, 181.5; 224/42.24,
224/42.26, 42.12; 180/180.1, 180.2

See application file for complete search history.

(56) **References Cited**

U.S. PATENT DOCUMENTS

D294,246 S * 2/1988 Patrick, III D12/190
D306,995 S * 4/1990 Reed, Jr. D12/202

D328,052 S * 7/1992 Stout, III D12/202
D377,002 S * 12/1996 Tran D12/181
D407,360 S * 3/1999 Hellhake et al. D12/185
6,007,102 A * 12/1999 Helmus 280/849
D469,725 S * 2/2003 Murkett D12/202
D526,608 S * 8/2006 Hayashi D12/202
D626,890 S * 11/2010 Cantemir D12/93

* cited by examiner

Primary Examiner — Melody N Brown

(74) *Attorney, Agent, or Firm* — Kegler, Brown, Hill &
Ritter; James J. Pingor

(57) **CLAIM**

I claim the ornamental design of an aerodynamic wheel cover,
as shown and described.

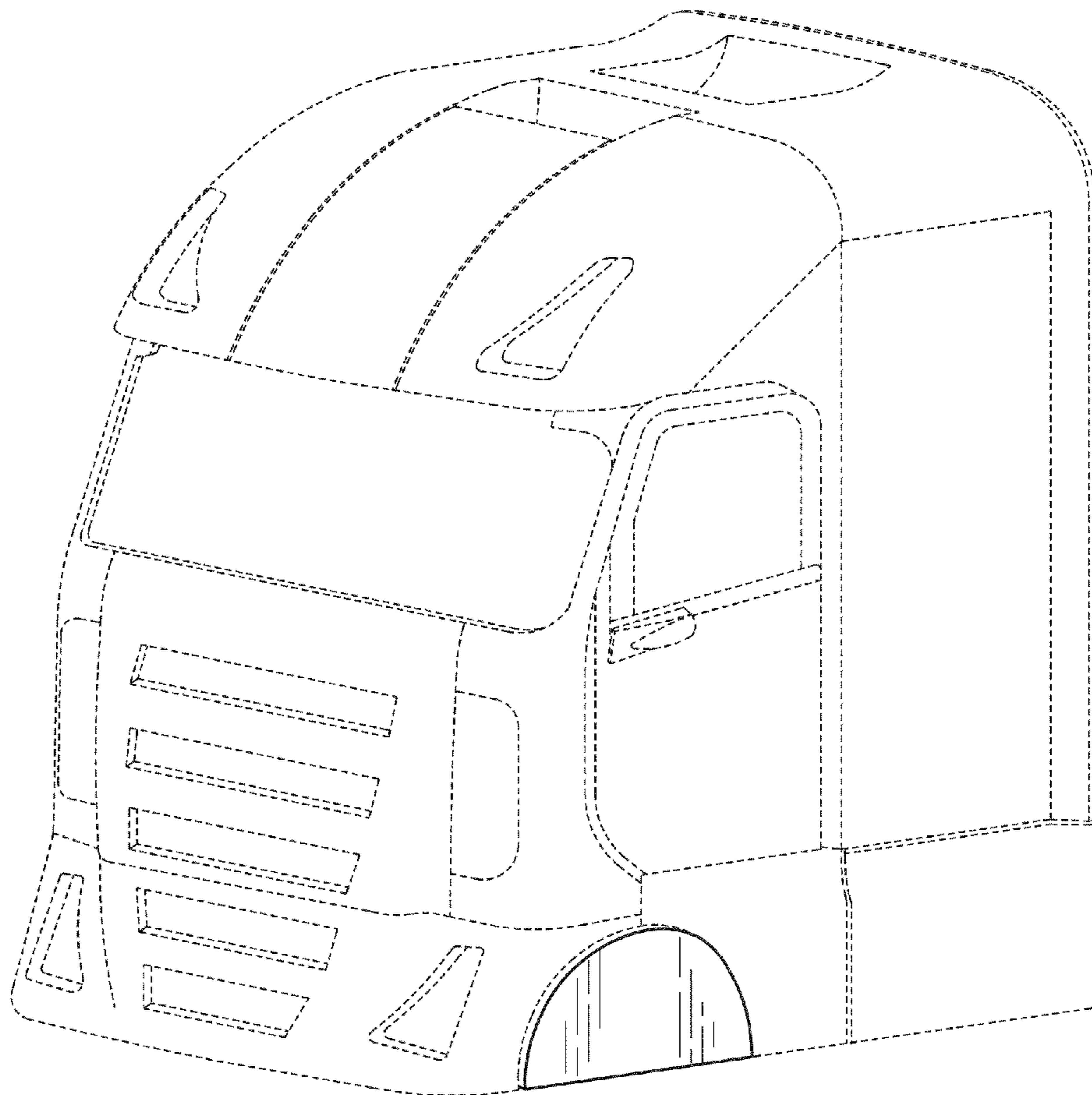
DESCRIPTION

FIG. 1 is a left front perspective view of an aerodynamic
wheel cover;

FIG. 2 is a front view thereof; and,

FIG. 3 is a side view thereof.

1 Claim, 3 Drawing Sheets



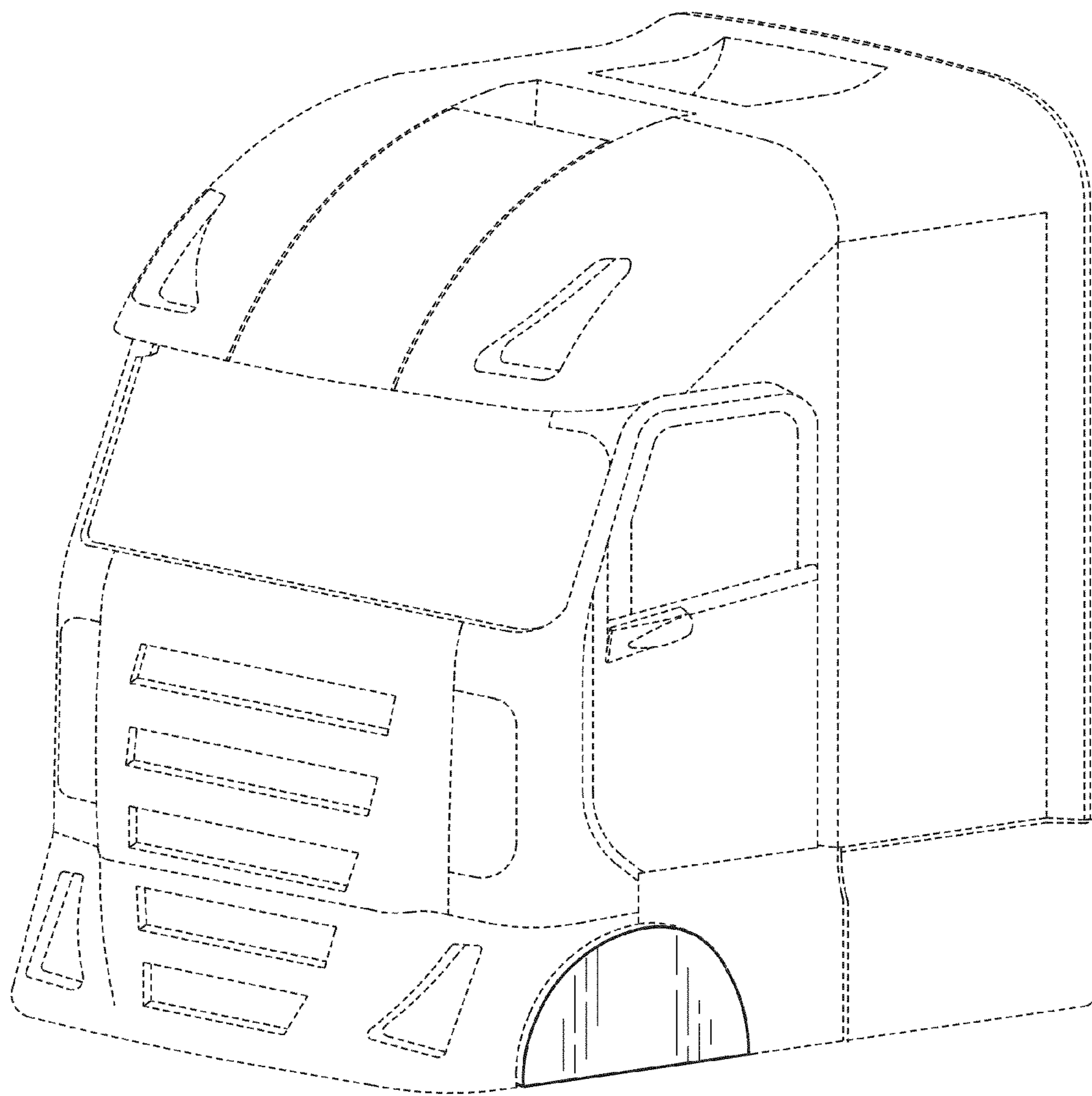


Fig. 1

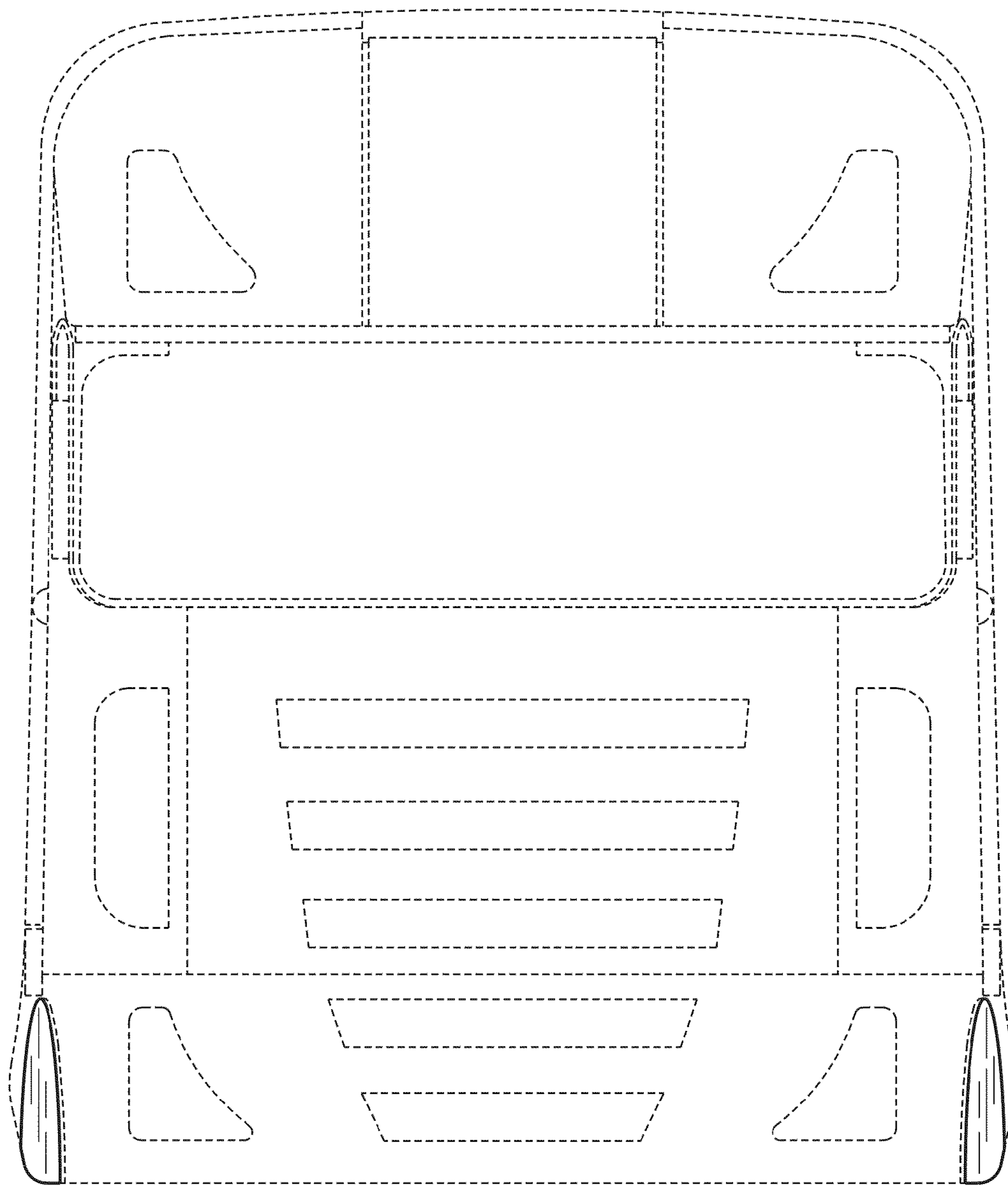


Fig. 2

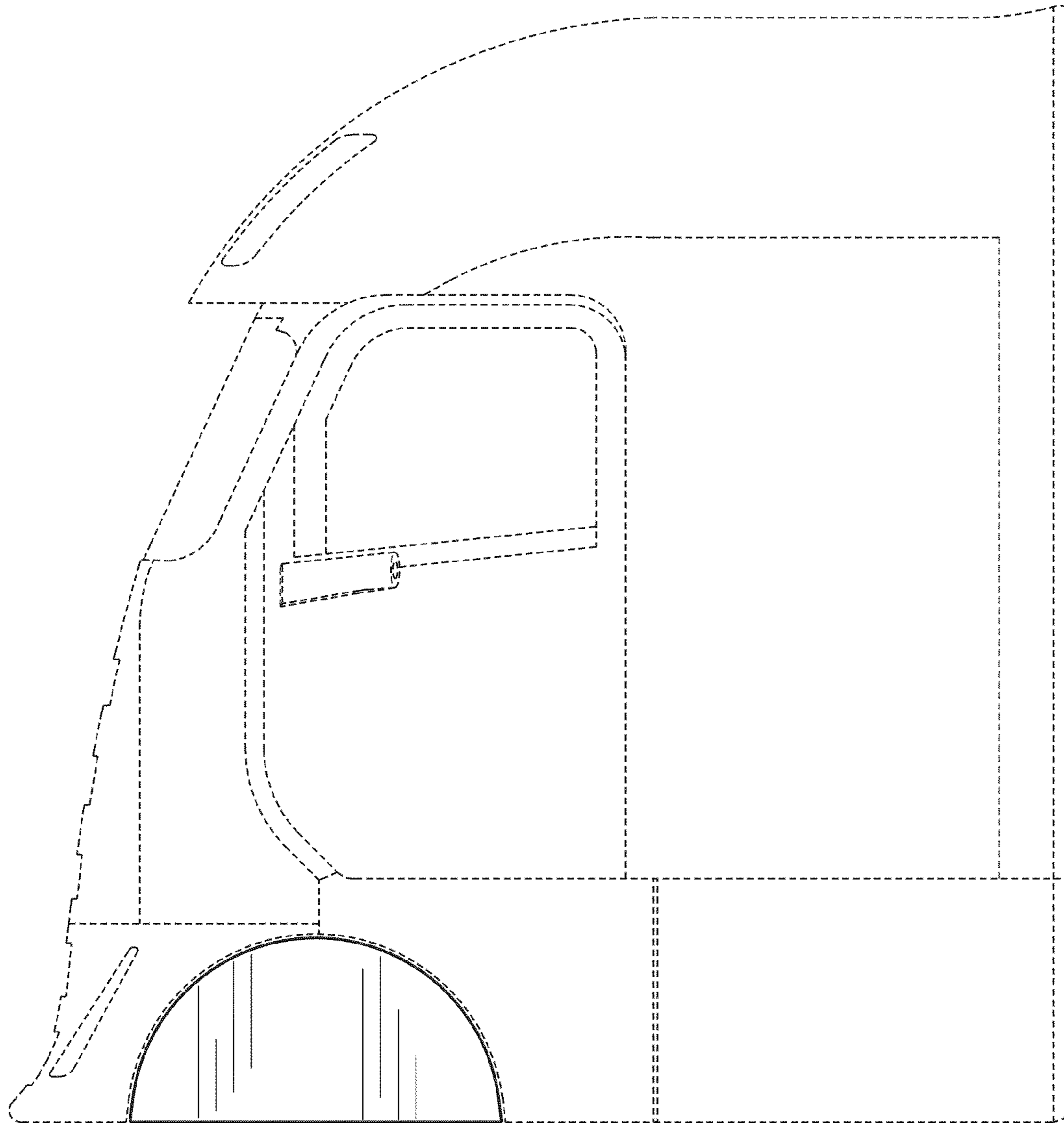


Fig. 3