



US00D651146S

(12) **United States Design Patent**  
**Schoonover et al.**

(10) **Patent No.:** **US D651,146 S**

(45) **Date of Patent:** **\*\* Dec. 27, 2011**

(54) **SLIDE OUT SEAL**

(75) Inventors: **James Schoonover**, Shelby Township, MI (US); **Vincent McNish**, Fostoria, MI (US)

(73) Assignee: **Vintech Industries**, Imlay City, MI (US)

(\*\*) Term: **14 Years**

(21) Appl. No.: **29/373,308**

(22) Filed: **Mar. 29, 2011**

(51) **LOC (9) Cl.** ..... **12-08**

(52) **U.S. Cl.** ..... **D12/190**

(58) **Field of Classification Search** ..... D12/19, D12/129, 101-106, 190, 181, 196, 400, 114, D12/86; D21/425, 435; D34/21-26, 12, D34/16; 280/204, 205, 63, 475, 482, 647, 280/163, 164.1, 166, 169, 828, 848, 762, 280/153.5; 296/168, 180, 180.2, 10, 61, 296/100.01-100.08; 293/144, 102

See application file for complete search history.

(56) **References Cited**

U.S. PATENT DOCUMENTS

4,975,306	A *	12/1990	Jackson	.....	428/31
5,338,087	A *	8/1994	Gross et al.	.....	296/146.15
5,864,996	A *	2/1999	Veldman et al.	.....	52/204.597
6,257,644	B1 *	7/2001	Young	.....	296/93
6,382,696	B1 *	5/2002	Young	.....	296/93
6,979,041	B2 *	12/2005	May et al.	.....	296/93
7,188,885	B2 *	3/2007	Schlater et al.	.....	296/96.21
D597,909	S *	8/2009	Schlater et al.	.....	D12/190

D606,473	S *	12/2009	Schlater	.....	D12/190
D606,474	S *	12/2009	Schlater	.....	D12/190
7,905,071	B2 *	3/2011	Laconte	.....	52/717.01
D636,313	S *	4/2011	Schlater	.....	D12/190
7,950,716	B2 *	5/2011	Schlater et al.	.....	296/93
2003/0090122	A1 *	5/2003	Meizlish	.....	296/93
2006/0022487	A1 *	2/2006	Schlater et al.	.....	296/146.15
2007/0257449	A1 *	11/2007	Pelchat et al.	.....	277/650
2009/0071077	A1 *	3/2009	Takase et al.	.....	49/489.1

\* cited by examiner

*Primary Examiner* — Caron D Veynar

*Assistant Examiner* — Katrina A Betton

(74) *Attorney, Agent, or Firm* — Warn Partners, P.C.

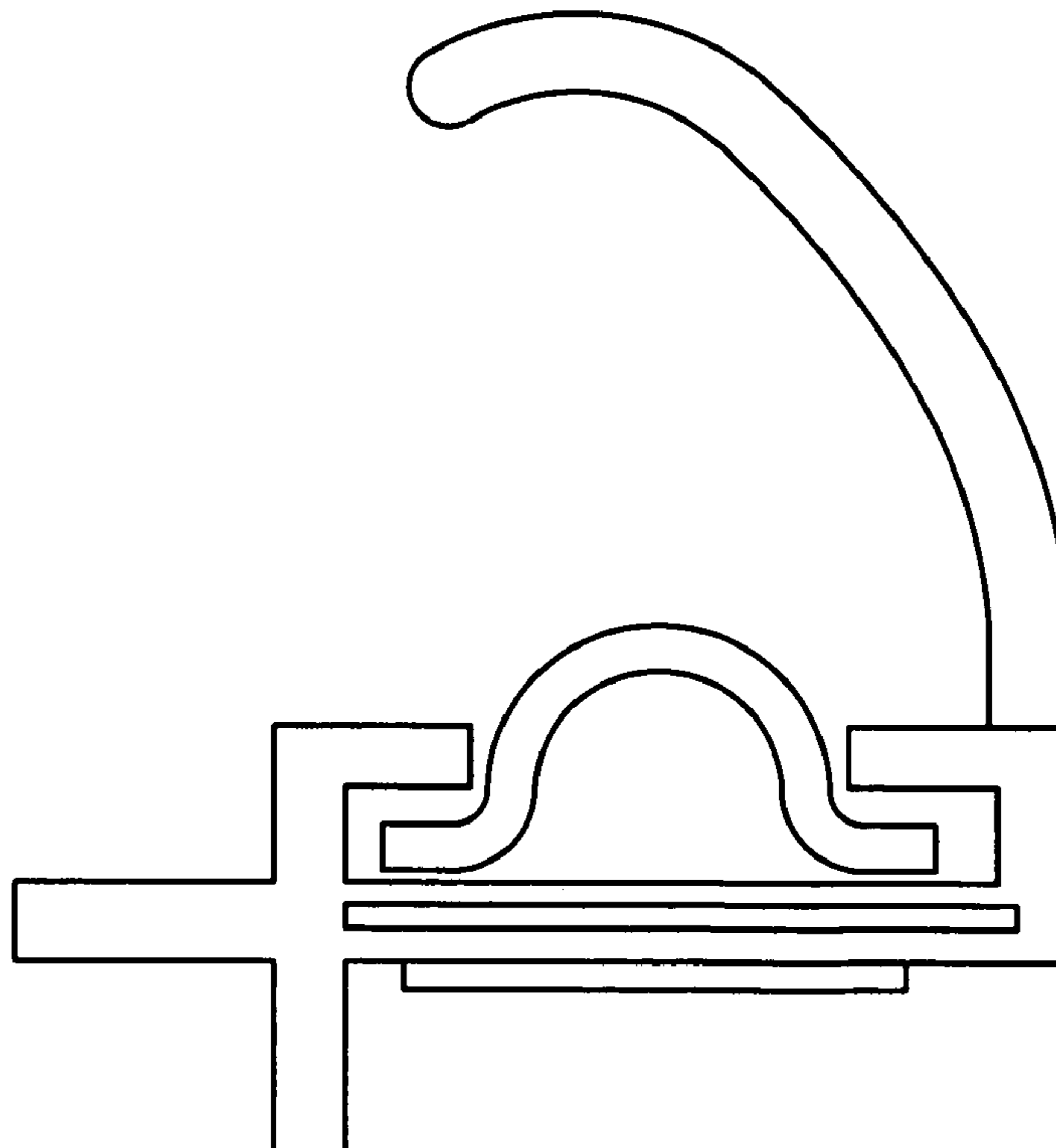
(57) **CLAIM**

The ornamental design for a slide out seal, as shown and described.

**DESCRIPTION**

FIG. 1 is a perspective view of a first embodiment of a slide out seal, in accordance with the present invention; FIG. 2 is a front elevation view of the slide out seal of FIG. 1, in accordance with the present invention; FIG. 3 is a top plan view of the slide out seal of FIGS. 1-2, in accordance with the present invention; FIG. 4 is a side elevation view of the slide out seal of FIGS. 1-3, in accordance with the present invention; FIG. 5 is a second side elevation view of the slide out seal of FIGS. 1-4, in accordance with the present invention; and, FIG. 6 is a bottom plan view of the slide out seal of FIGS. 1-5, in accordance with the present invention.

**1 Claim, 3 Drawing Sheets**



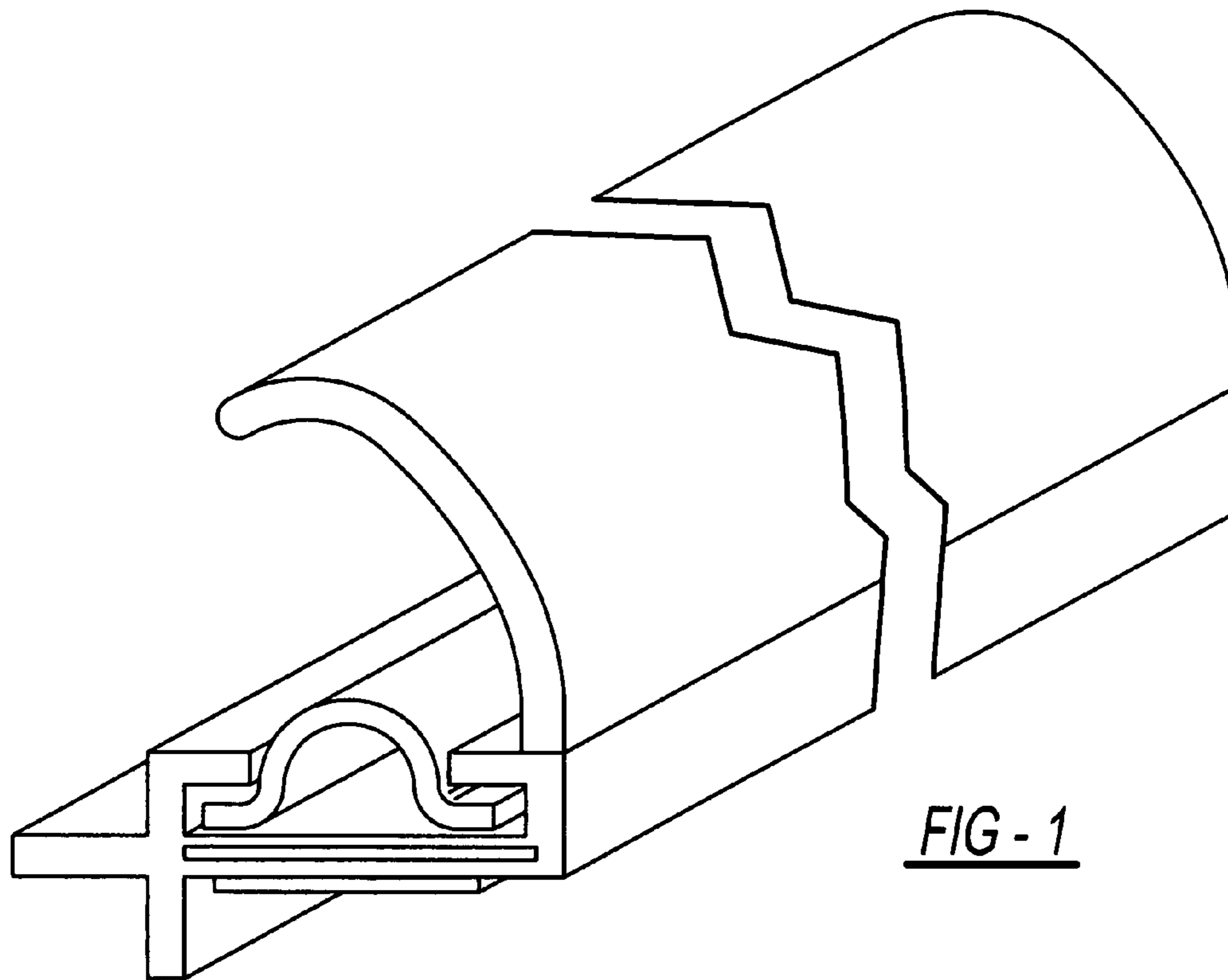


FIG - 1

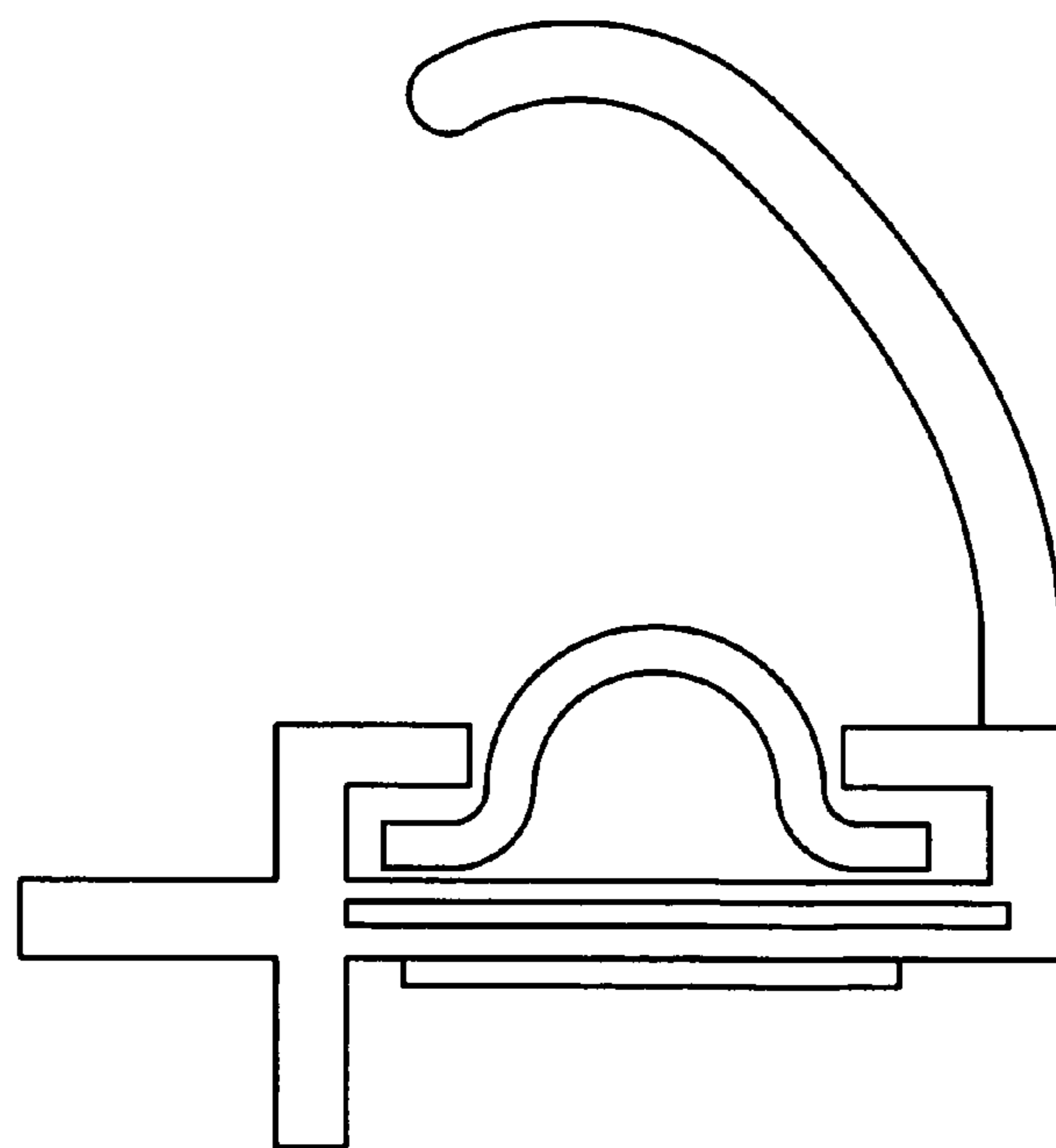


FIG - 2

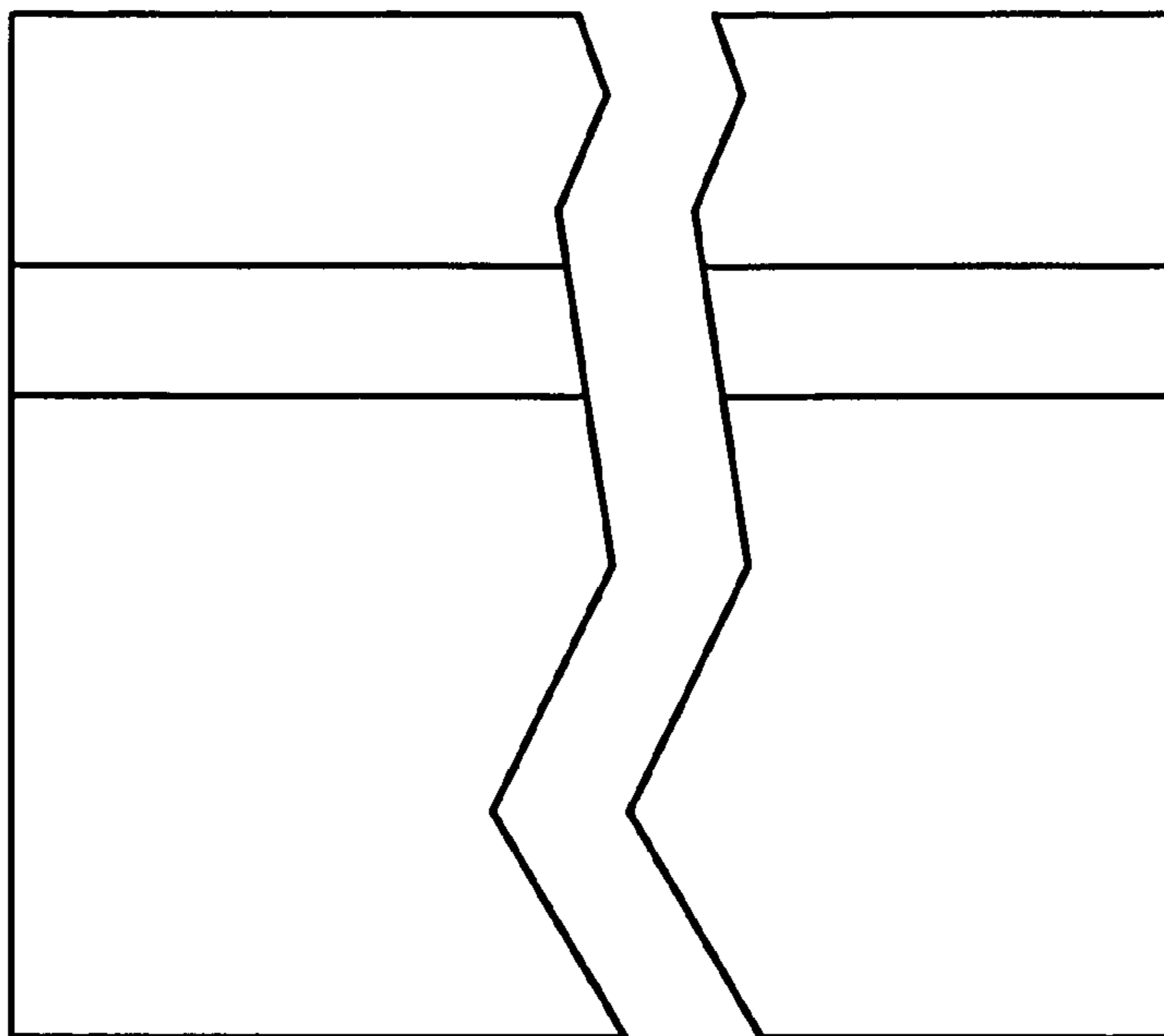


FIG - 3

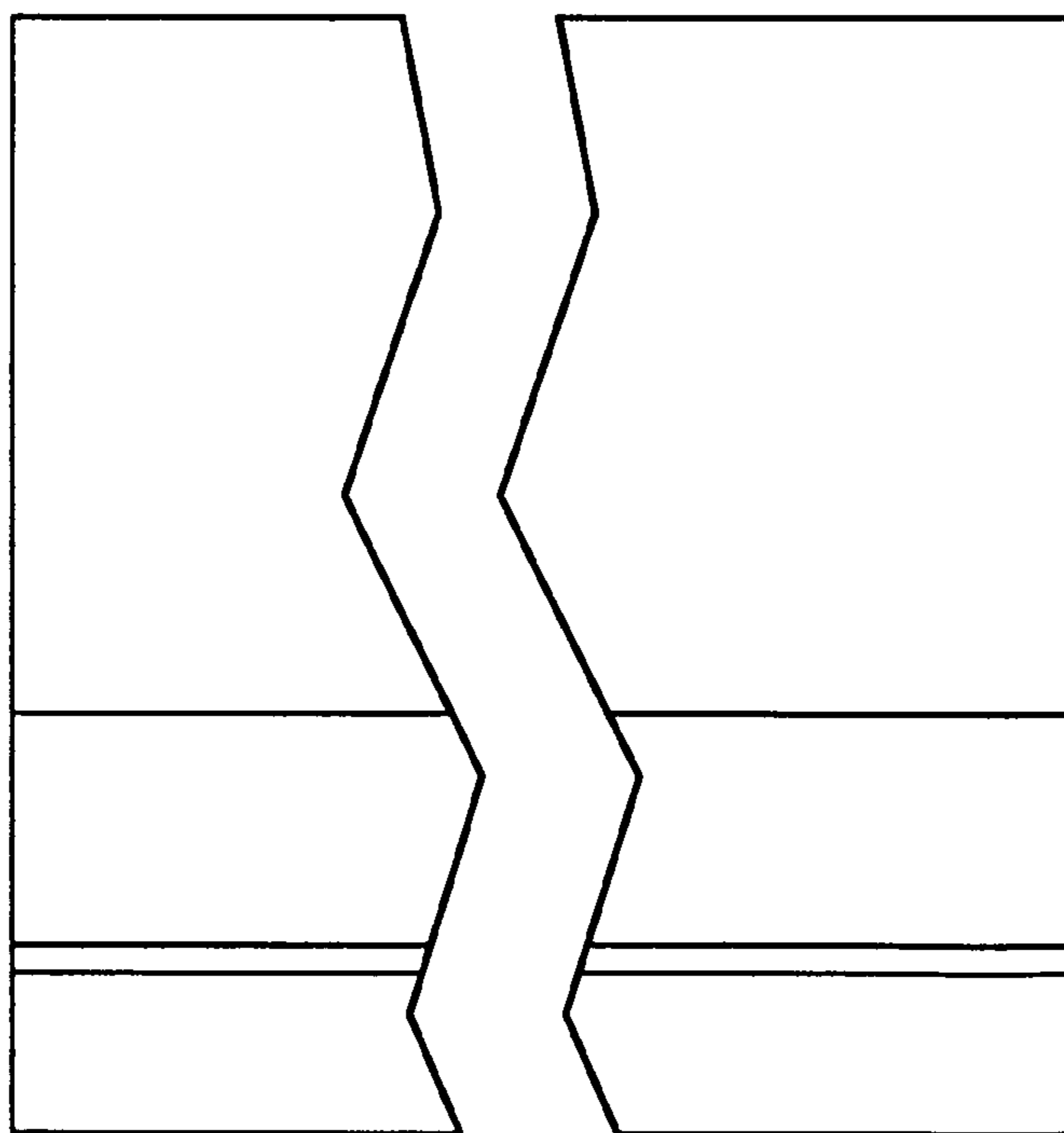


FIG - 4

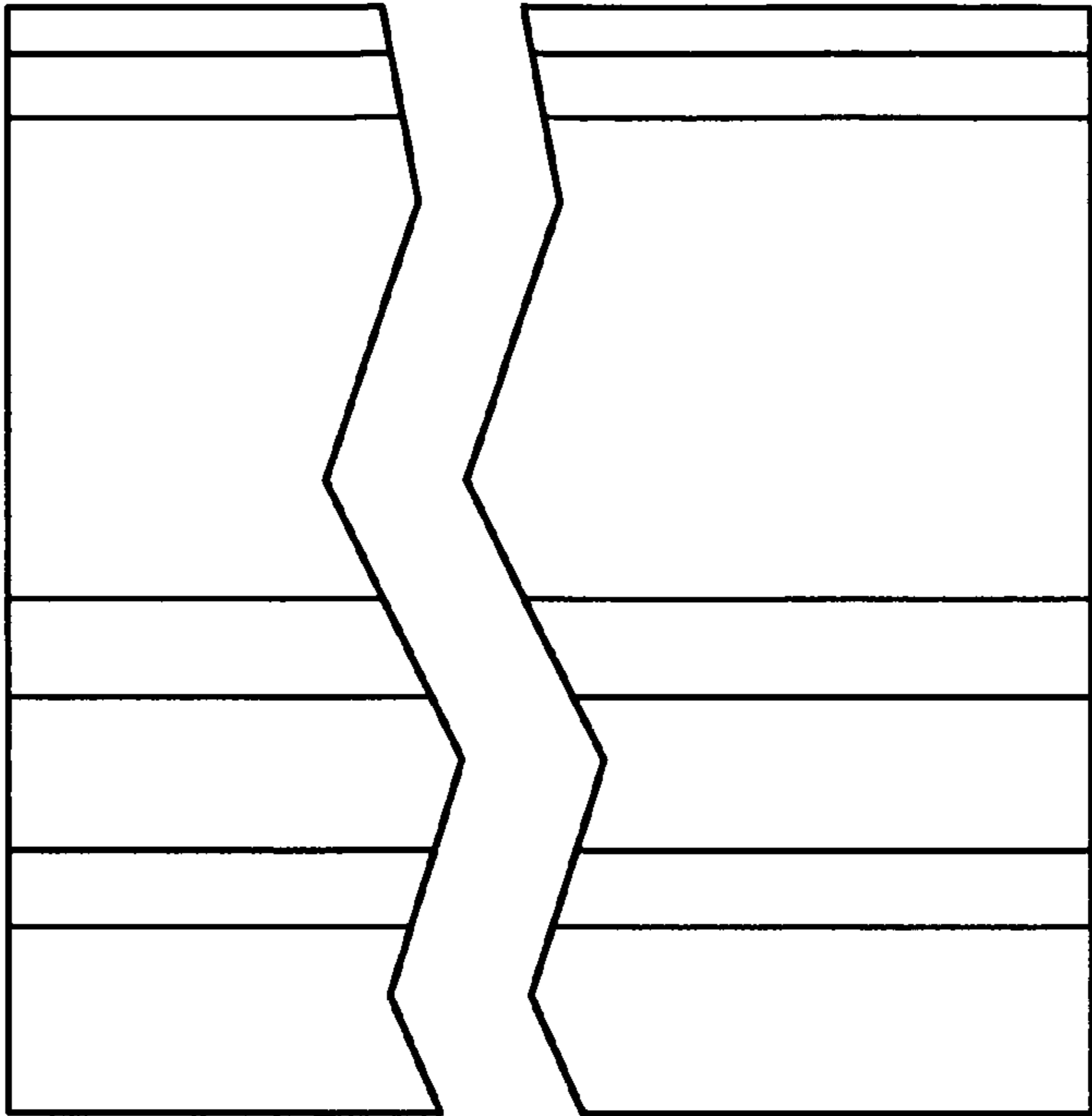


FIG - 5

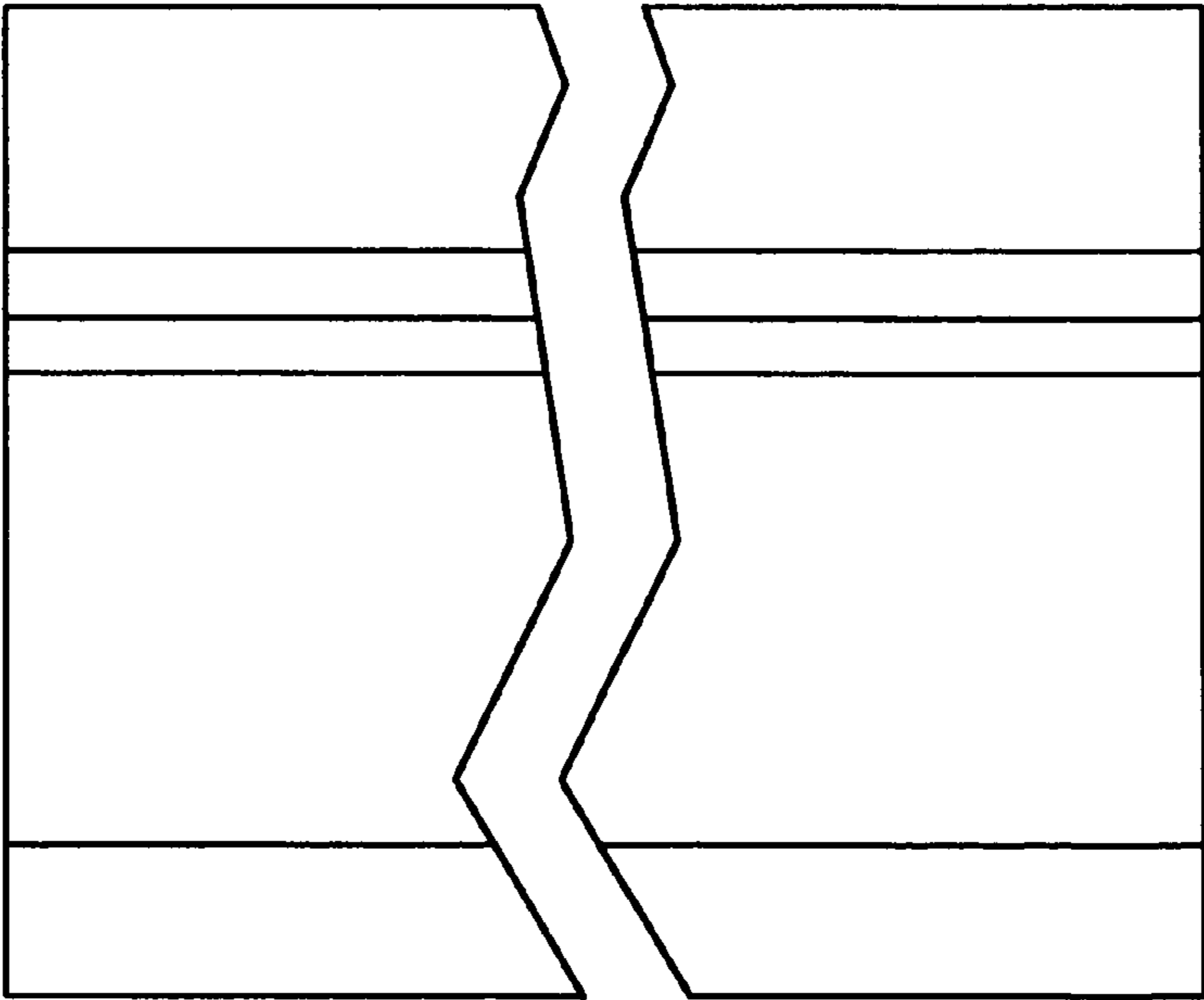


FIG - 6