



US00D651142S

(12) **United States Design Patent**
Fushimi

(10) **Patent No.:** **US D651,142 S**
(45) **Date of Patent:** **** Dec. 27, 2011**

(54) **GRILL FOR AN AUTOMOBILE**
(75) Inventor: **Takao Fushimi**, Saitama (JP)

D626,897 S * 11/2010 Ectors et al. D12/163
D634,675 S * 3/2011 Lamm et al. D12/163
D635,065 S * 3/2011 Seo D12/163

(73) Assignee: **Honda Motor Co., Ltd.**, Tokyo (JP)

FOREIGN PATENT DOCUMENTS
JP 1336842 S 7/2008

(**) Term: **14 Years**

OTHER PUBLICATIONS

(21) Appl. No.: **29/391,728**

Russian Office Action dated Jul. 4, 2011, issued in corresponding Russian Patent Application No. 2011500498.

(22) Filed: **May 12, 2011**

* cited by examiner

(30) **Foreign Application Priority Data**

Primary Examiner — Melody N Brown

Nov. 15, 2010 (JP) 2010-027411

(74) *Attorney, Agent, or Firm* — Westerman, Hattori, Daniels & Adrian, LLP

(51) **LOC (9) Cl.** **12-16**

(52) **U.S. Cl.** **D12/163**

(58) **Field of Classification Search** D12/163,
D12/196, 171, 169, 216, 90-92, 86; 180/68.1,
180/68.6; 296/193.11

(57) **CLAIM**

The ornamental design for, a grill for an automobile, as shown and described.

See application file for complete search history.

DESCRIPTION

(56) **References Cited**

FIG. 1 is a perspective view of a grill for an automobile, showing our new design;

FIG. 2 is a front elevation view thereof;

FIG. 3 is a top plan view thereof;

FIG. 4 is a right side elevation view thereof; and,

FIG. 5 is a left side elevation view thereof.

The broken lines are for illustrative purposes only and form no part of the claimed design.

U.S. PATENT DOCUMENTS

D584,198 S * 1/2009 Tamura D12/163
D585,796 S * 2/2009 Nagasaka et al. D12/163
D589,853 S * 4/2009 Saridakis et al. D12/163
D609,140 S * 2/2010 Iwasaki D12/163
D610,052 S * 2/2010 Watanabe D12/163
D614,544 S * 4/2010 Ectors et al. D12/163
D624,469 S * 9/2010 Miyazawa D12/163

1 Claim, 4 Drawing Sheets

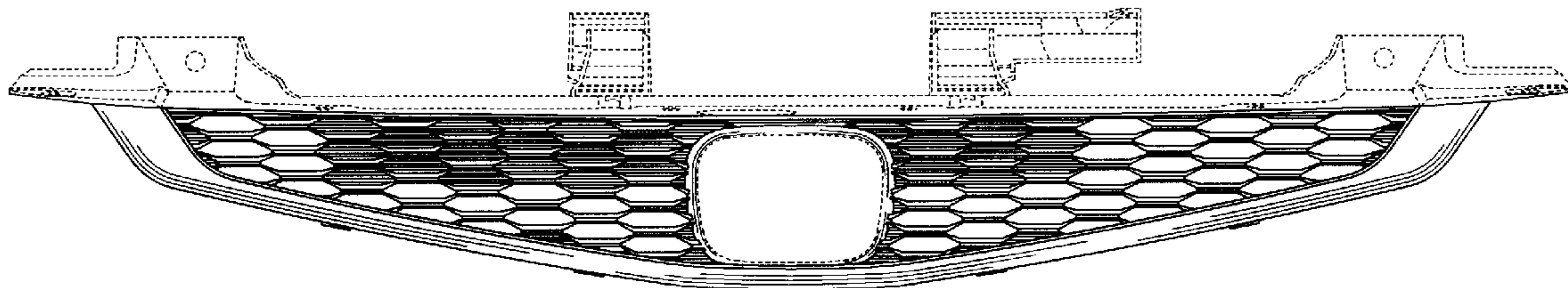


Fig. 1

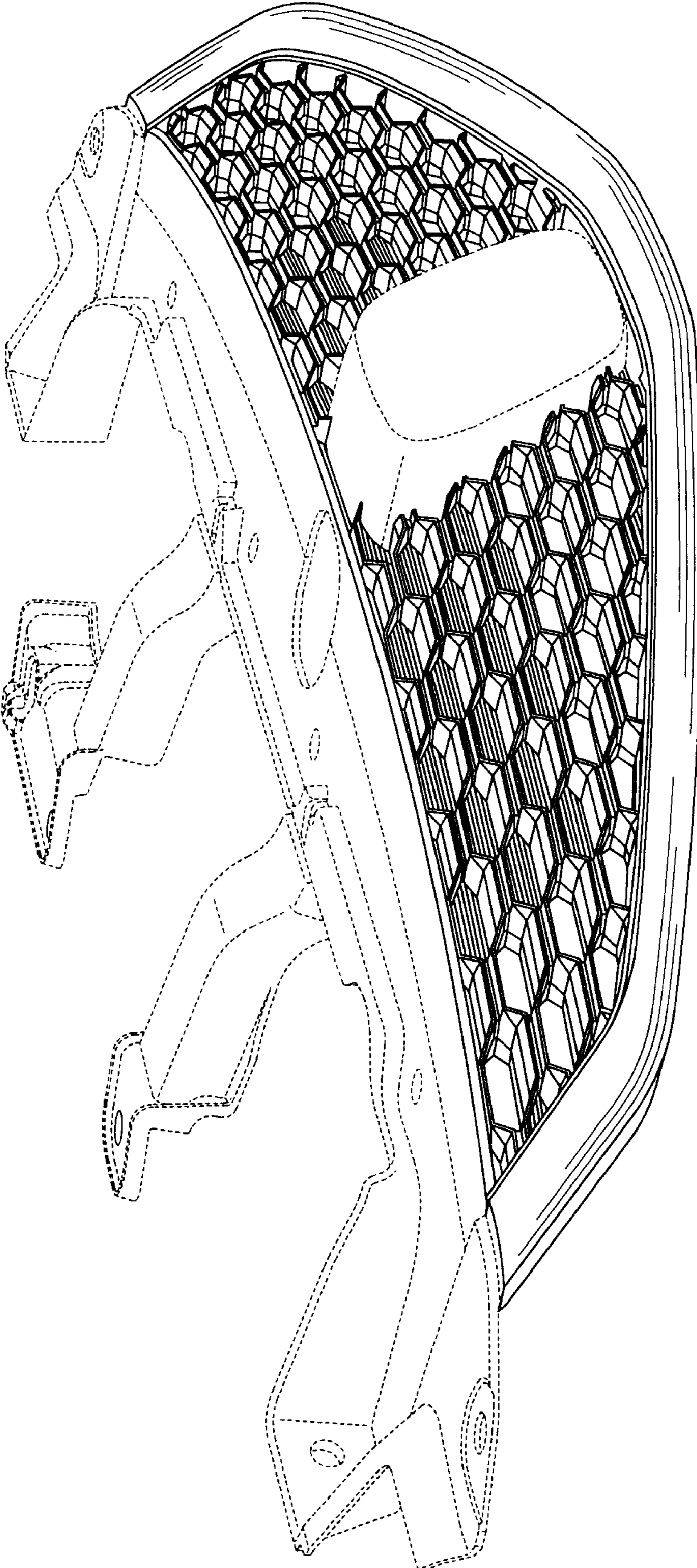


Fig.2

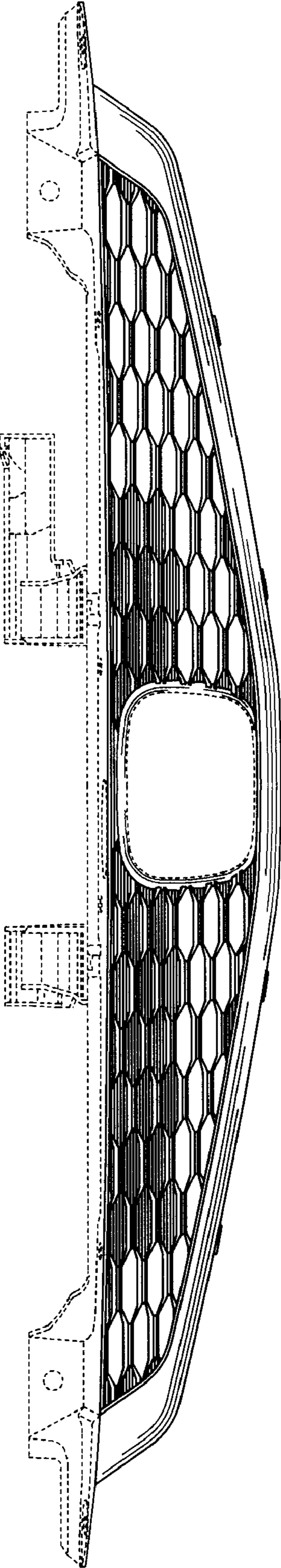


Fig. 3

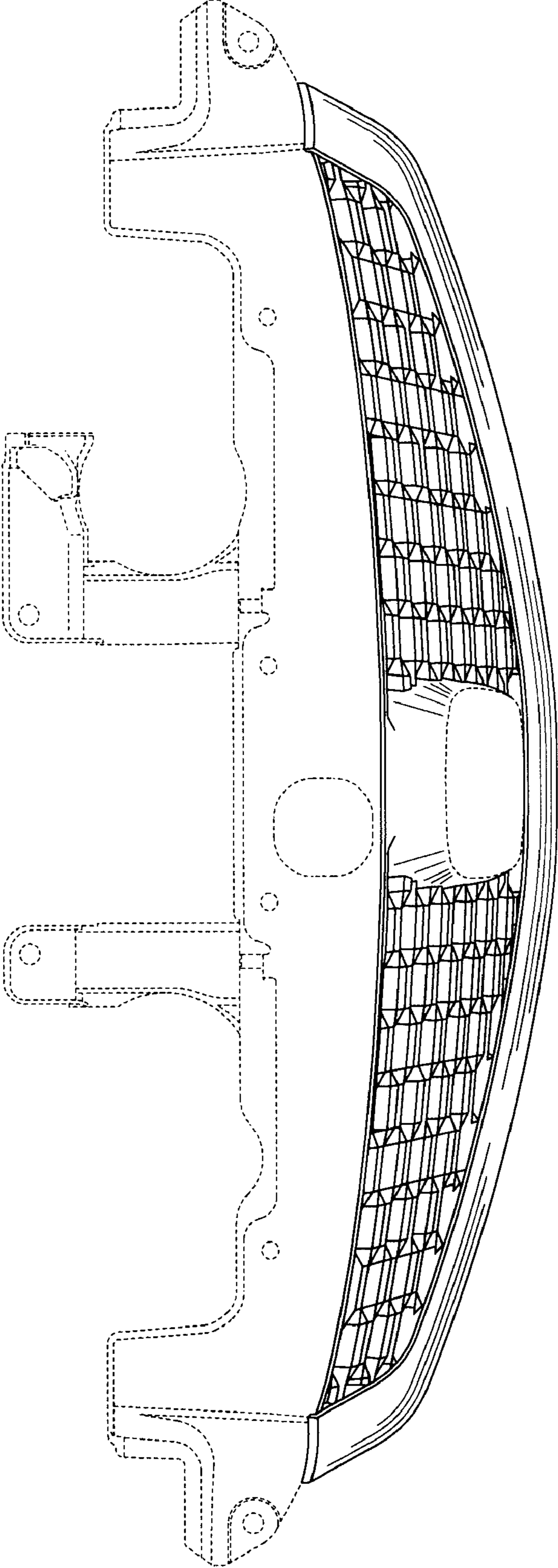


Fig. 4

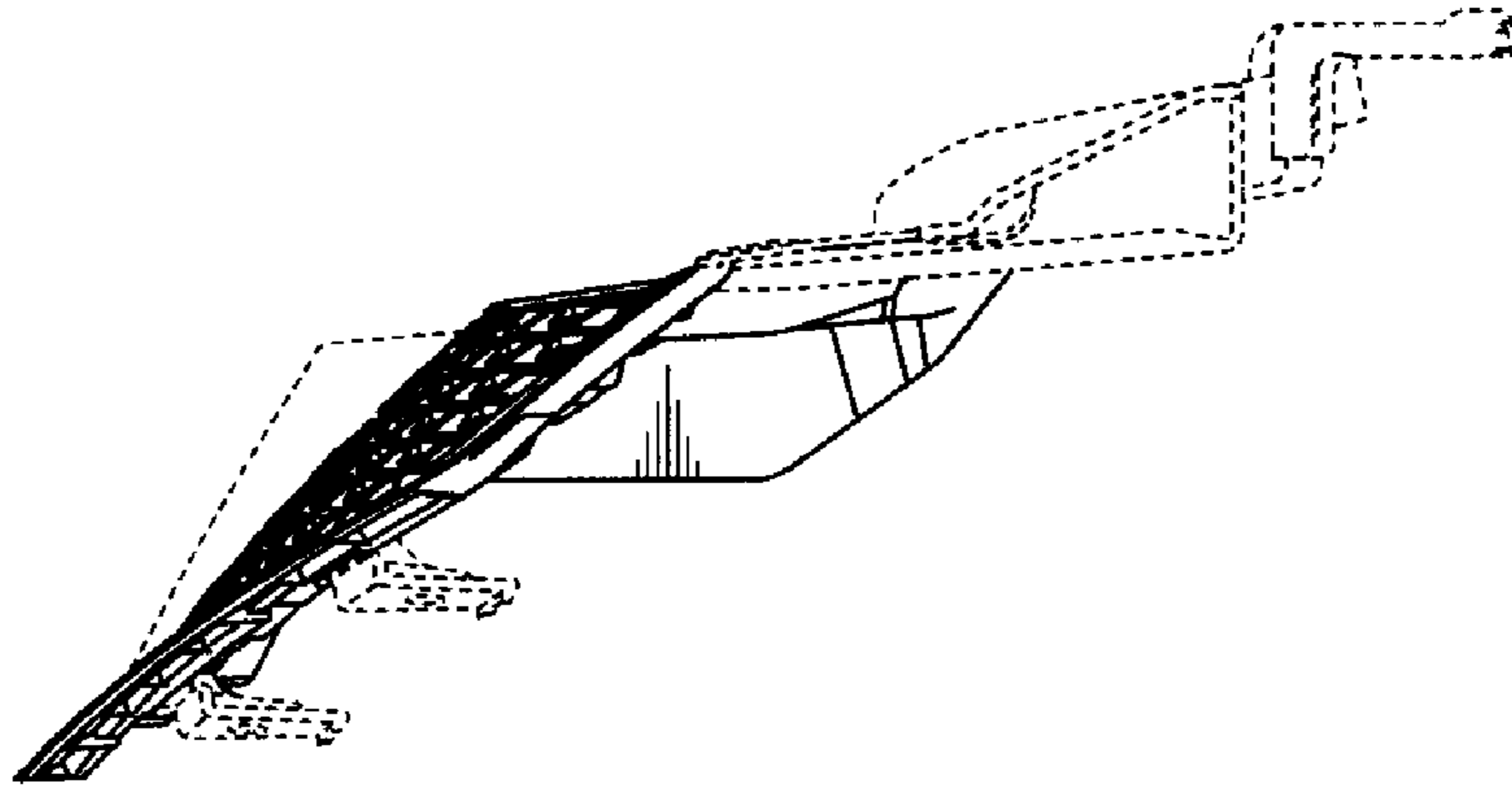


Fig. 5

