



US00D651141S

(12) **United States Design Patent**
Tachibana

(10) **Patent No.:** **US D651,141 S**

(45) **Date of Patent:** **** Dec. 27, 2011**

(54) **GRILL FOR AN AUTOMOBILE**

(75) Inventor: **Kunihiko Tachibana**, Saitama (JP)

(73) Assignee: **Honda Motor Co., Ltd.**, Tokyo (JP)

(**) Term: **14 Years**

(21) Appl. No.: **29/391,714**

(22) Filed: **May 12, 2011**

(30) **Foreign Application Priority Data**

Nov. 15, 2010 (JP) 2010-027410

(51) **LOC (9) Cl.** **12-16**

(52) **U.S. Cl.** **D12/163**

(58) **Field of Classification Search** D12/163,
D12/196, 171, 169, 216, 90-92, 86; 180/68.1,
180/68.6; 296/193.11

See application file for complete search history.

(56) **References Cited**

U.S. PATENT DOCUMENTS

D562,741 S * 2/2008 Matsumoto et al. D12/163
D565,480 S * 4/2008 McMahan D12/163
D614,543 S * 4/2010 Kitazumi et al. D12/163

D616,342 S * 5/2010 Kim D12/163
D625,670 S * 10/2010 Roller et al. D12/163
D633,831 S * 3/2011 Matei et al. D12/163
D637,531 S * 5/2011 Miyazawa D12/163
D637,532 S * 5/2011 Miyazawa D12/163
D642,964 S * 8/2011 Miyazawa D12/163

* cited by examiner

Primary Examiner — Melody N Brown

(74) *Attorney, Agent, or Firm* — Westerman, Hattori,
Daniels & Adrian, LLP

(57) **CLAIM**

The ornamental design for, a grill for an automobile, as shown
and described.

DESCRIPTION

FIG. 1 is a perspective view of A grill for an automobile,
showing our new design;
FIG. 2 is a front elevation view thereof;
FIG. 3 is a top plan view thereof;
FIG. 4 is a right side elevation view thereof; and,
FIG. 5 is a left side elevation view thereof.
The broken lines are for illustrative purposes only and form
no part of the claimed design.

1 Claim, 4 Drawing Sheets

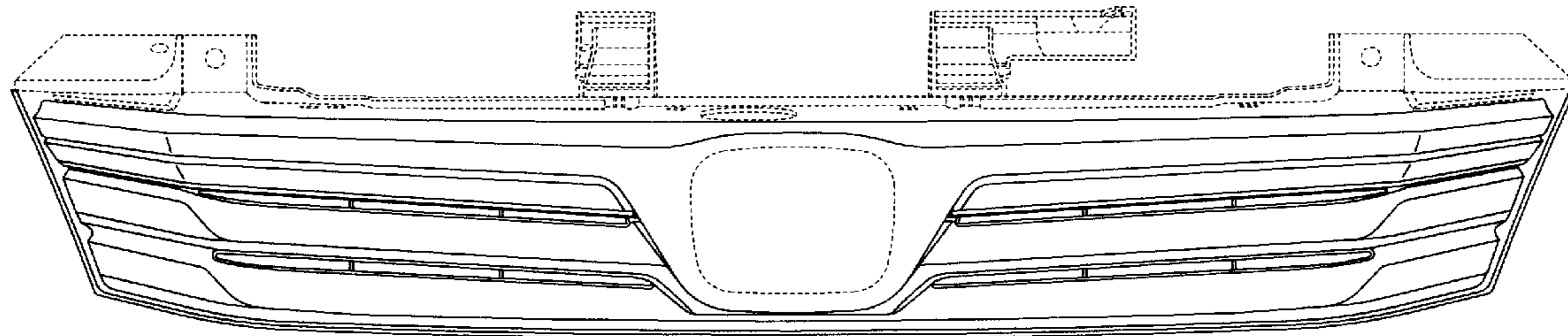


Fig. 1

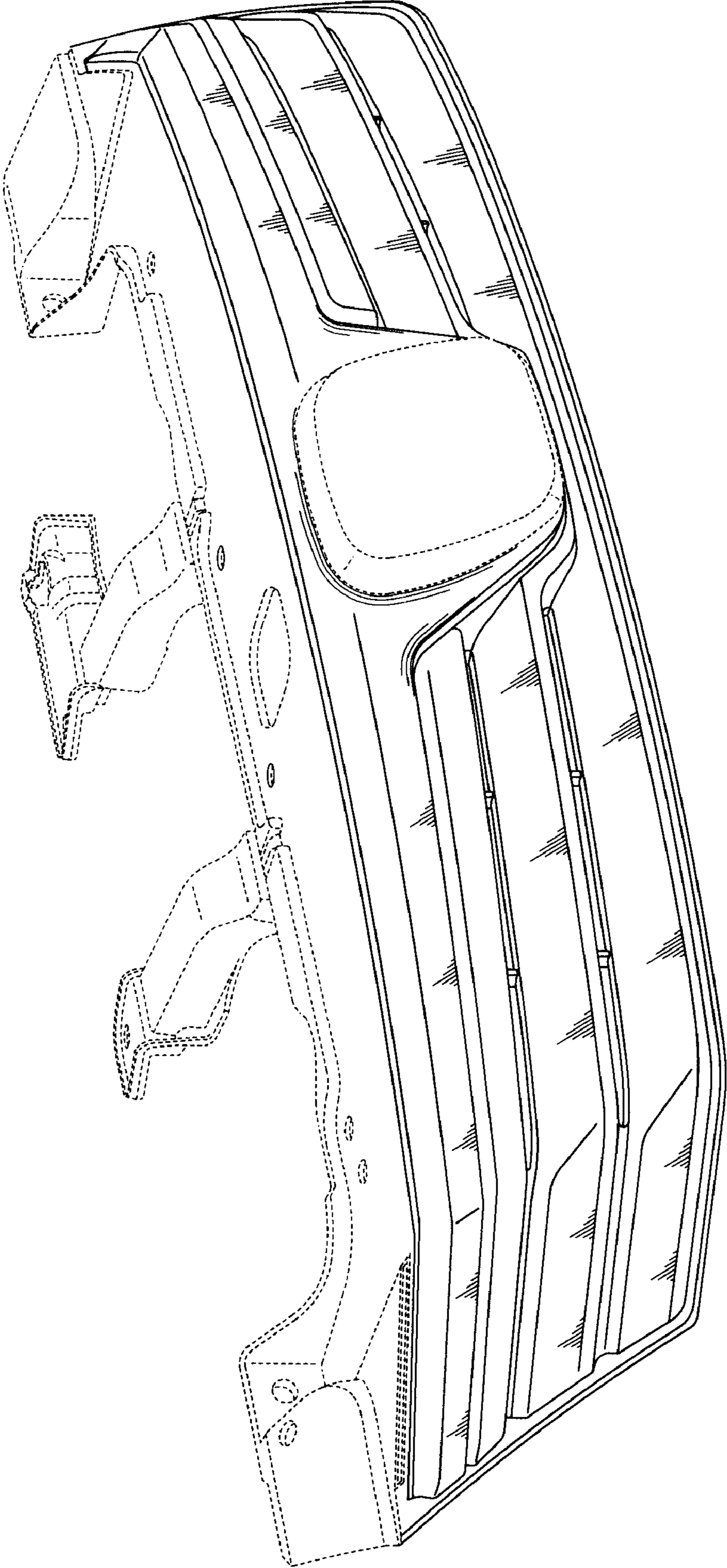


Fig. 2

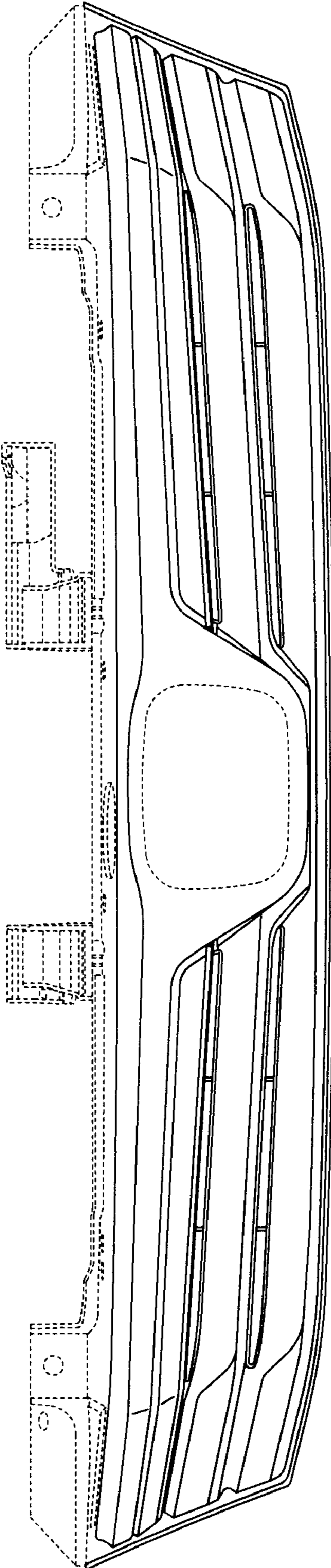


Fig. 3

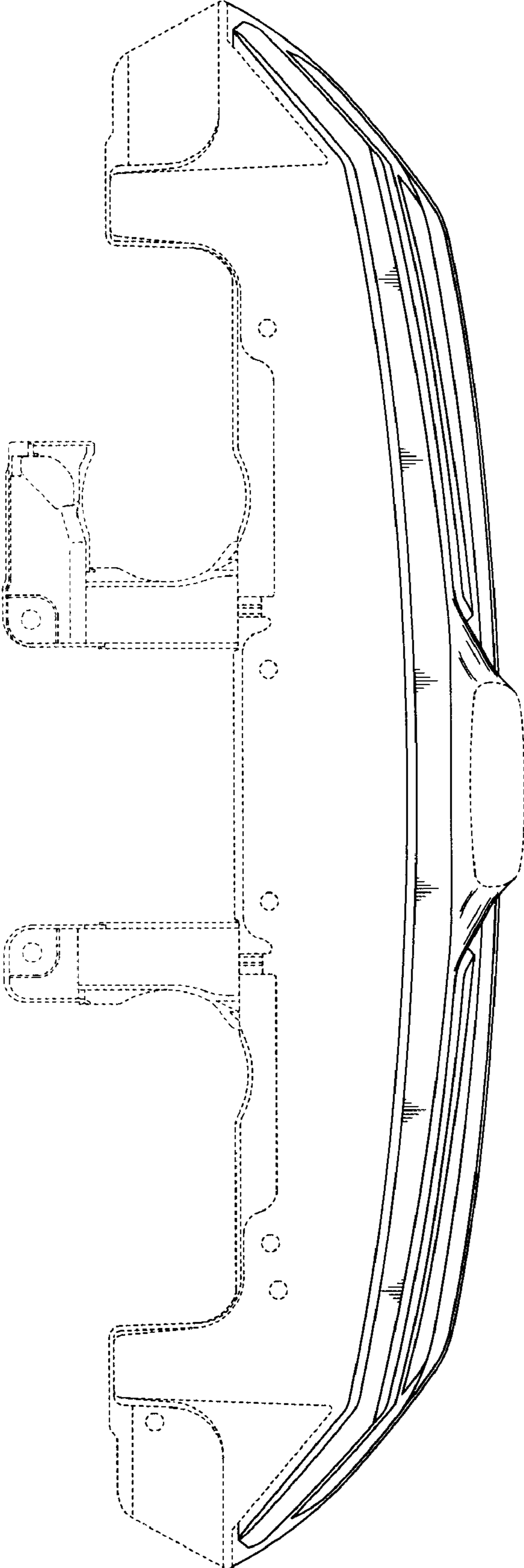


Fig. 4

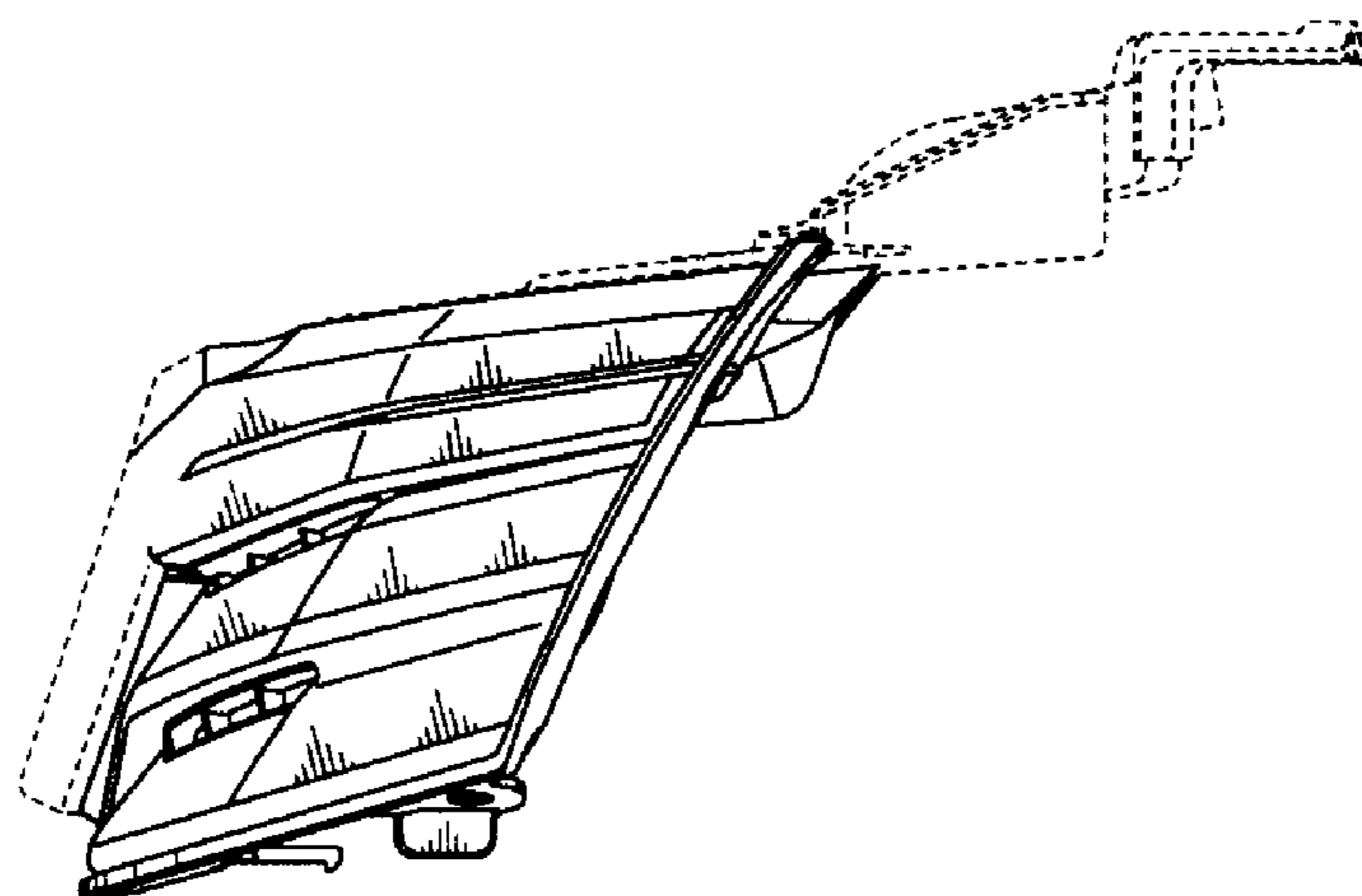


Fig. 5

