



US00D651139S

(12) **United States Design Patent**
Angelfoss et al.

(10) **Patent No.:** **US D651,139 S**

(45) **Date of Patent:** **** Dec. 27, 2011**

(54) **STROLLER WITH HOOD**

(75) Inventors: **Hilde Angelfoss**, Vettre (NO); **Bjørn Refsum**, Ålesund (NO)

(73) Assignee: **Stokke AS** (NO)

(**) Term: **14 Years**

(21) Appl. No.: **29/366,077**

(22) Filed: **Jul. 19, 2010**

(51) **LOC (9) Cl.** **12-12**

(52) **U.S. Cl.** **D12/129**

(58) **Field of Classification Search** D12/128-133;
280/62, 647-650, 29, 200, 47.38, 250.1,
280/259, 642, 658; 297/DIG. 4; 296/65.03,
296/65.04; 224/209; 414/921; 135/65-67,
135/74; D6/360, 368

See application file for complete search history.

(56) **References Cited**

U.S. PATENT DOCUMENTS

D308,656	S	*	6/1990	Takahashi et al.	D12/129
D493,020	S		7/2004	Refsum		
D499,990	S		12/2004	Refsum et al.		
D503,546	S		4/2005	Oxseth		
D505,366	S	*	5/2005	Refsum et al.	D12/129
D510,716	S	*	10/2005	Refsum et al.	D12/129
D519,258	S		4/2006	Refsum		
D522,210	S		5/2006	Refsum		
D525,423	S		7/2006	Oxseth		

D526,601	S	*	8/2006	Oxseth	D12/129
D566,014	S	*	4/2008	Myers	D12/133
D576,084	S	*	9/2008	Dotsey et al.	D12/129
D631,402	S	*	1/2011	Bagwell et al.	D12/129

* cited by examiner

Primary Examiner — Ian Simmons

Assistant Examiner — Charles Hanson

(74) *Attorney, Agent, or Firm* — Kolisch Hartwell, P.C.

(57) **CLAIM**

We claim the ornamental design for a stroller with hood, as shown and described.

DESCRIPTION

FIG. 1 is a right side perspective view of a stroller with hood according to a first embodiment of the invention.

FIG. 2 is a front perspective view of the embodiment of FIG. 1.

FIG. 3 is a rear perspective view of the embodiment of FIG. 1.

FIG. 4 is a left side perspective view of the embodiment of FIG. 1.

FIG. 5 is a top perspective view of the embodiment of FIG. 1.

FIG. 6 is a bottom perspective view of the embodiment of FIG. 1.

FIG. 7 is left, top perspective view of the embodiment of FIG. 1; and,

FIG. 8 is a left, bottom perspective view of the embodiment of FIG. 1.

1 Claim, 4 Drawing Sheets



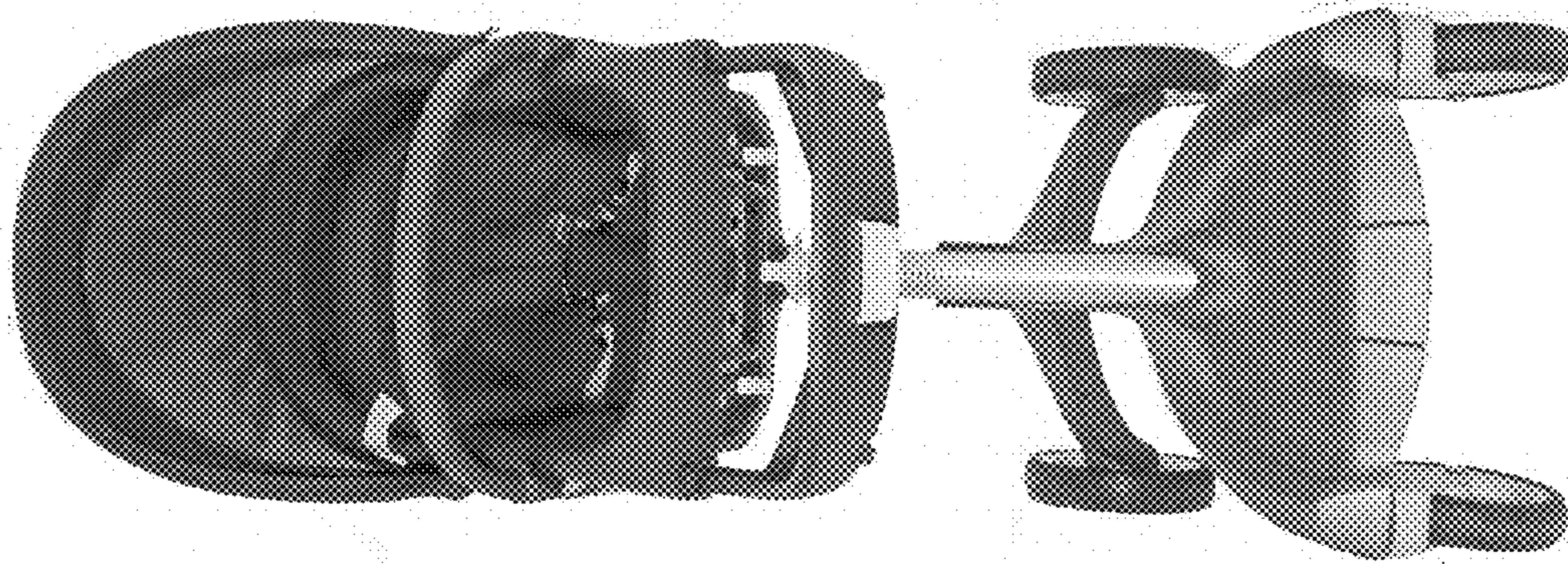


Fig. 2



Fig. 1

Fig. 4

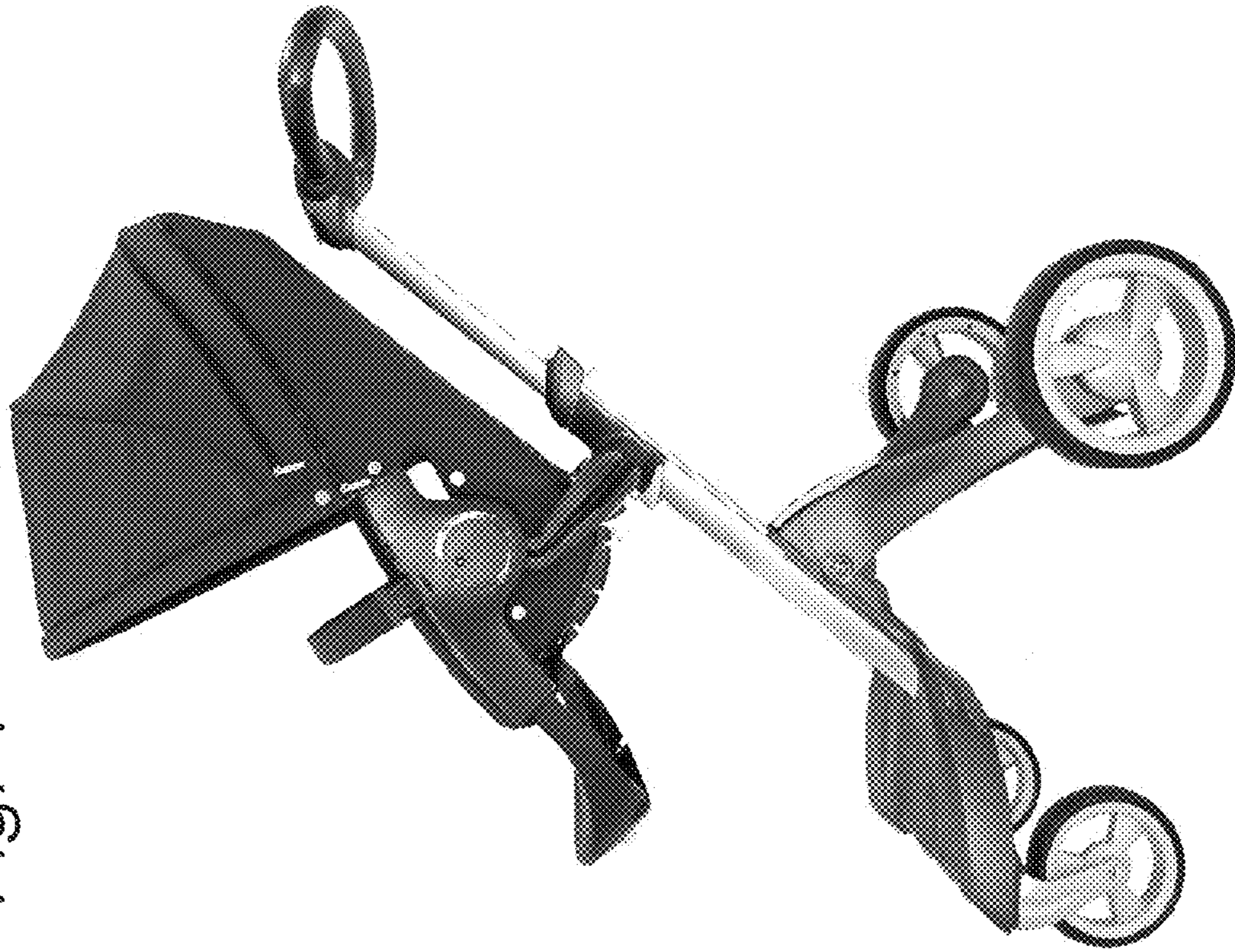


Fig. 3

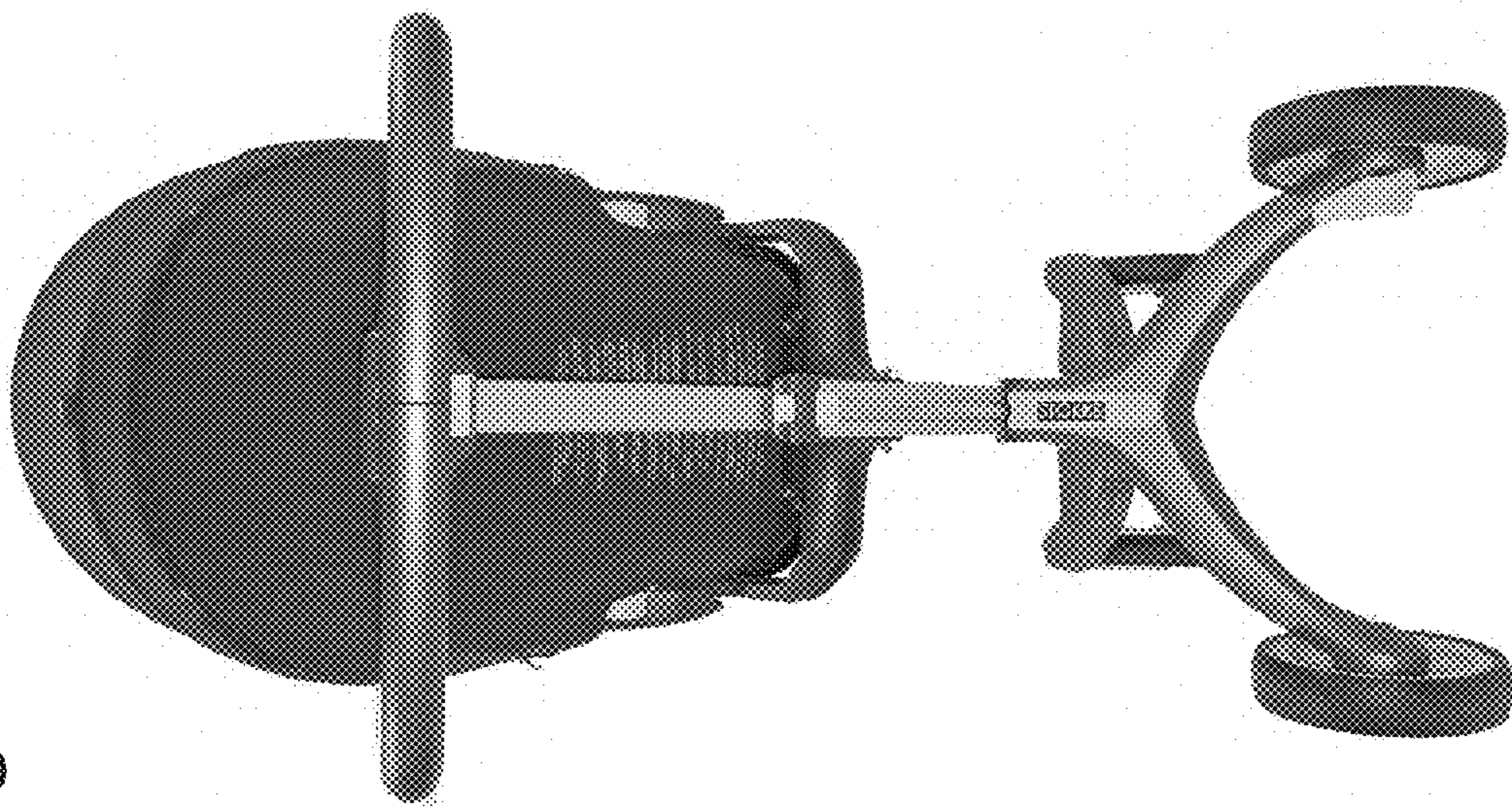


Fig. 6

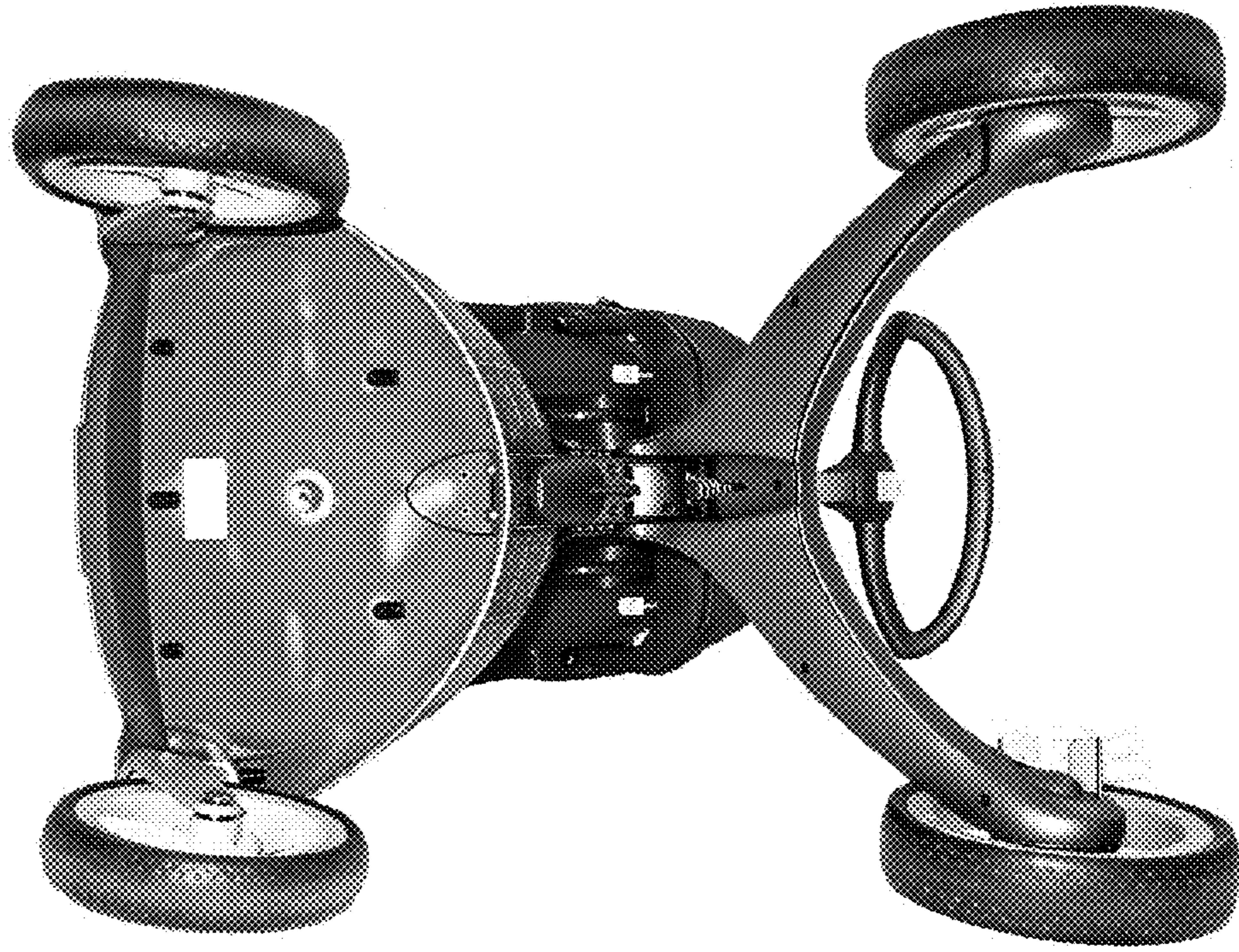


Fig. 5

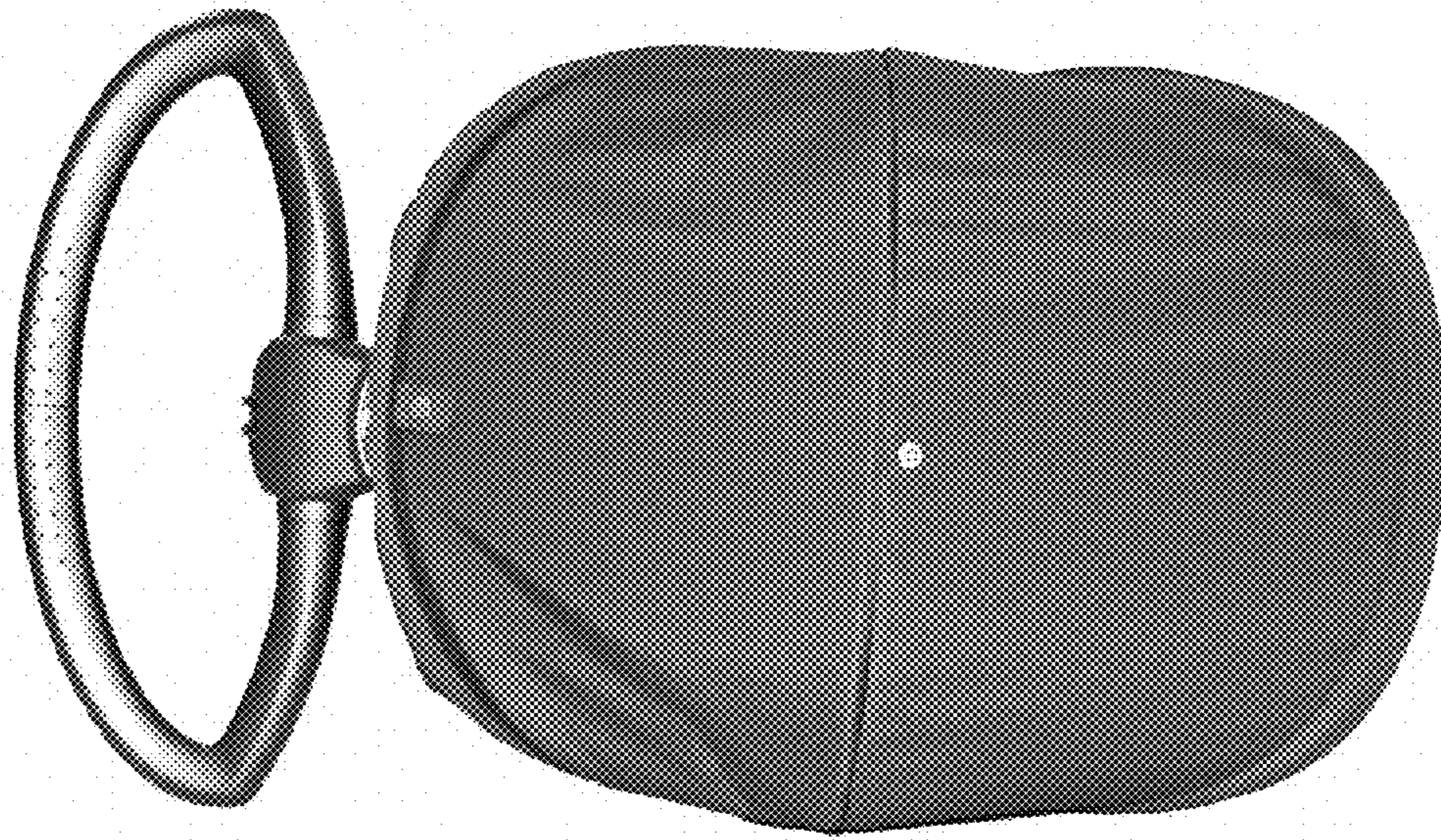


Fig. 7



Fig. 8

