



US00D651133S

(12) **United States Design Patent**
Liebl

(10) **Patent No.:** **US D651,133 S**

(45) **Date of Patent:** **** Dec. 27, 2011**

(54) **RACE CAR SIMULATOR FRAME**

D586,696 S * 2/2009 Burns D12/87
D639,207 S * 6/2011 Danisi D12/86
D642,960 S * 8/2011 Berrier D12/82

(76) Inventor: **Christopher J. Liebl**, La Mirada, CA
(US)

* cited by examiner

(**) Term: **14 Years**

Primary Examiner — Melody N Brown

(74) *Attorney, Agent, or Firm* — Michael Bak-Boyчук

(21) Appl. No.: **29/370,711**

(57) **CLAIM**

The ornamental design for a race car simulator frame, as shown and described.

(22) Filed: **Aug. 25, 2010**

(51) **LOC (9) Cl.** **12-08**

DESCRIPTION

(52) **U.S. Cl.** **D12/87; D12/86**

(58) **Field of Classification Search** D12/86,
D12/87, 1; D21/424, 433; 296/181.1, 181.5
See application file for complete search history.

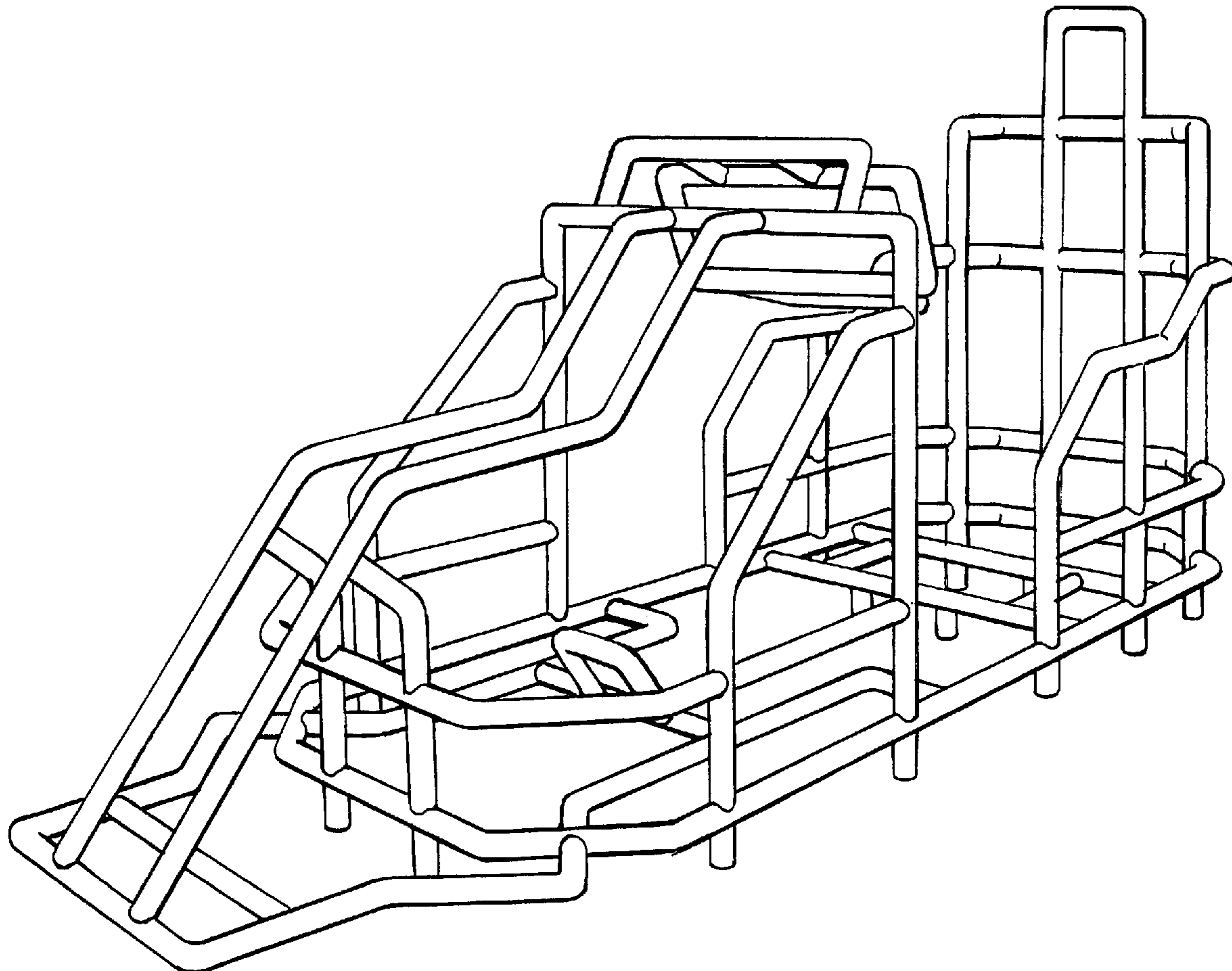
FIG. 1 is a perspective view taken from the top and front of a race car simulator frame showing my new design;
FIG. 2 is a left side elevational view of the race car simulator frame showing my claimed design, the right side elevational view being the mirror image thereof;
FIG. 3 is a top view of the race car simulator frame;
FIG. 4 is a bottom view of the race car simulator frame;
FIG. 5 is a front view of the race car simulator frame; and,
FIG. 6 is a rear view of the race car simulator frame.

(56) **References Cited**

U.S. PATENT DOCUMENTS

D503,658 S * 4/2005 Lu D12/87
D558,123 S * 12/2007 Murillo D12/412
D564,410 S * 3/2008 Lepage D12/87
D586,695 S * 2/2009 Burns D12/87

1 Claim, 5 Drawing Sheets



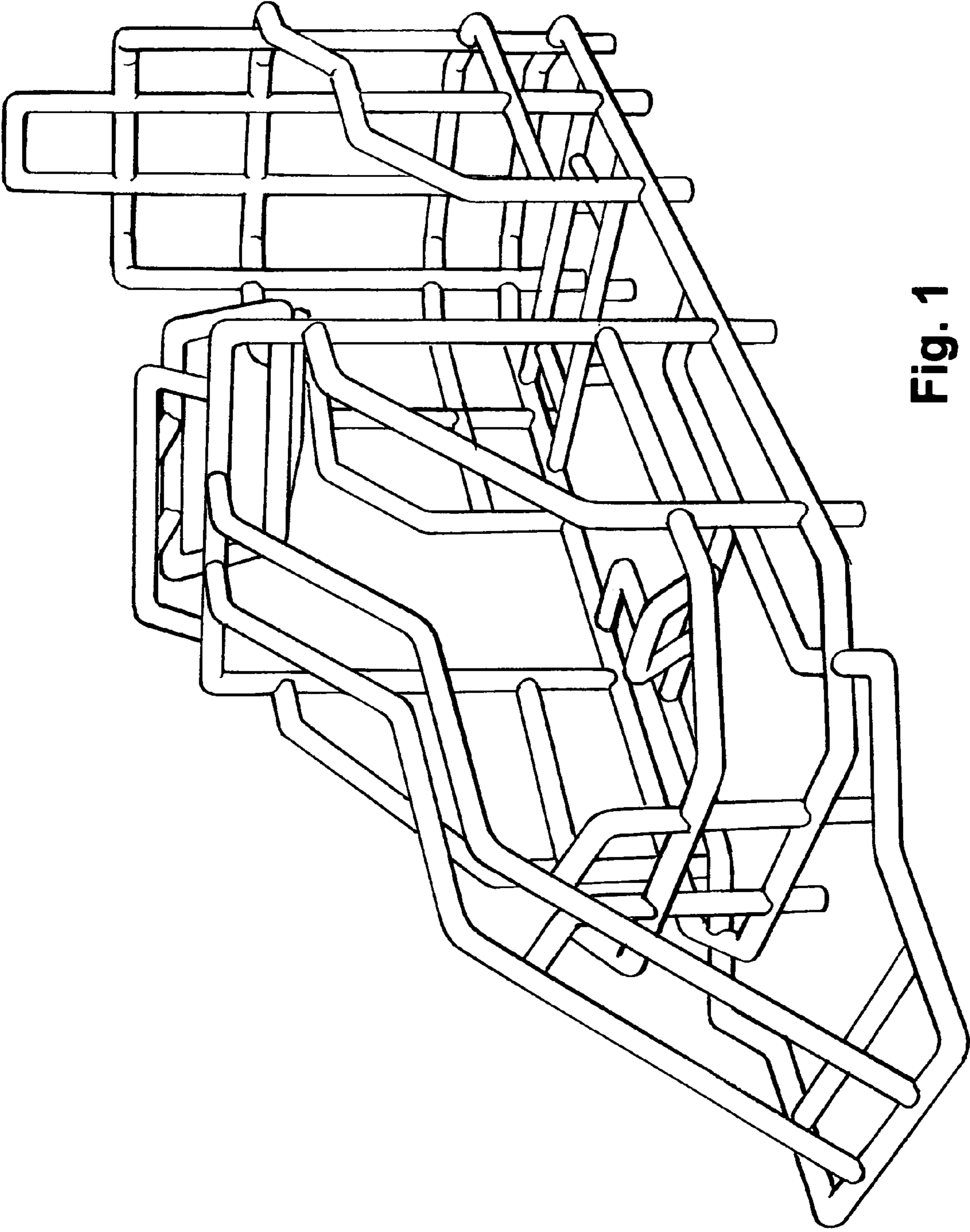


Fig. 1

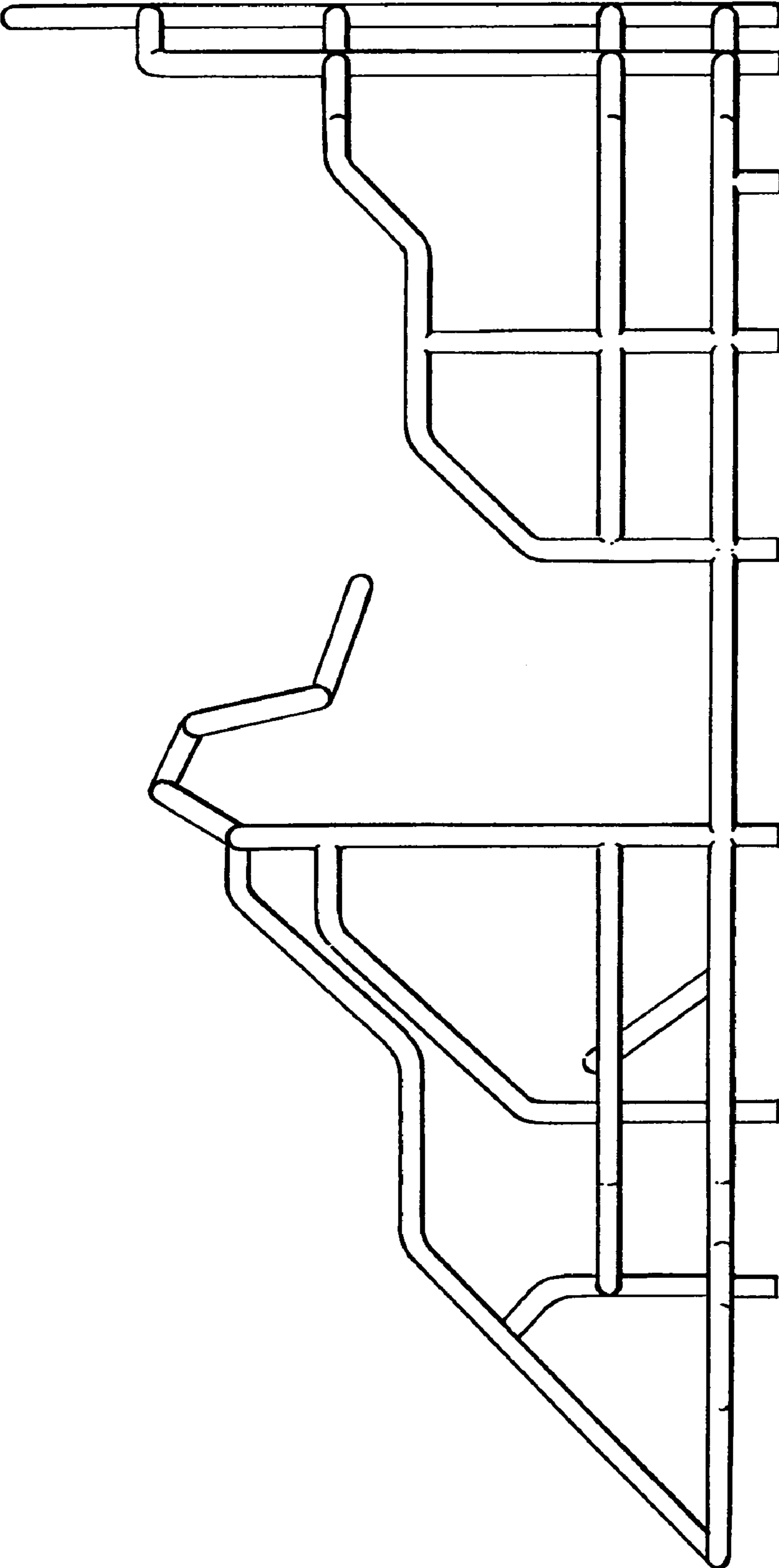


Fig. 2

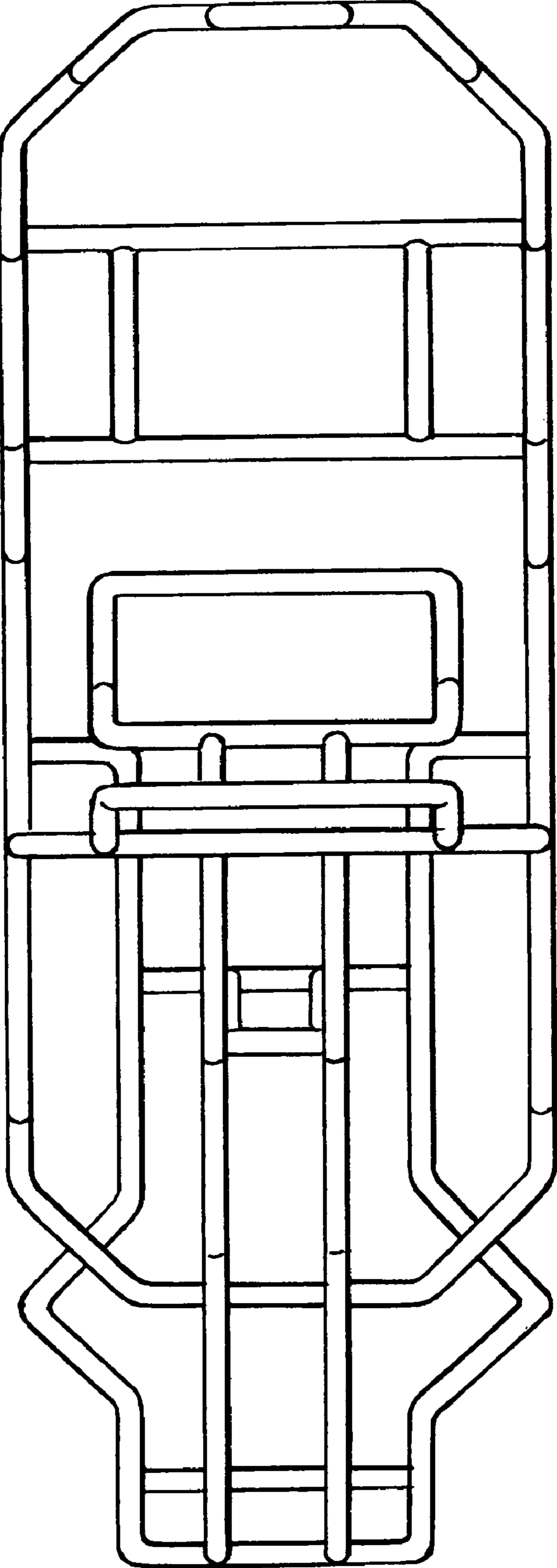


Fig. 3

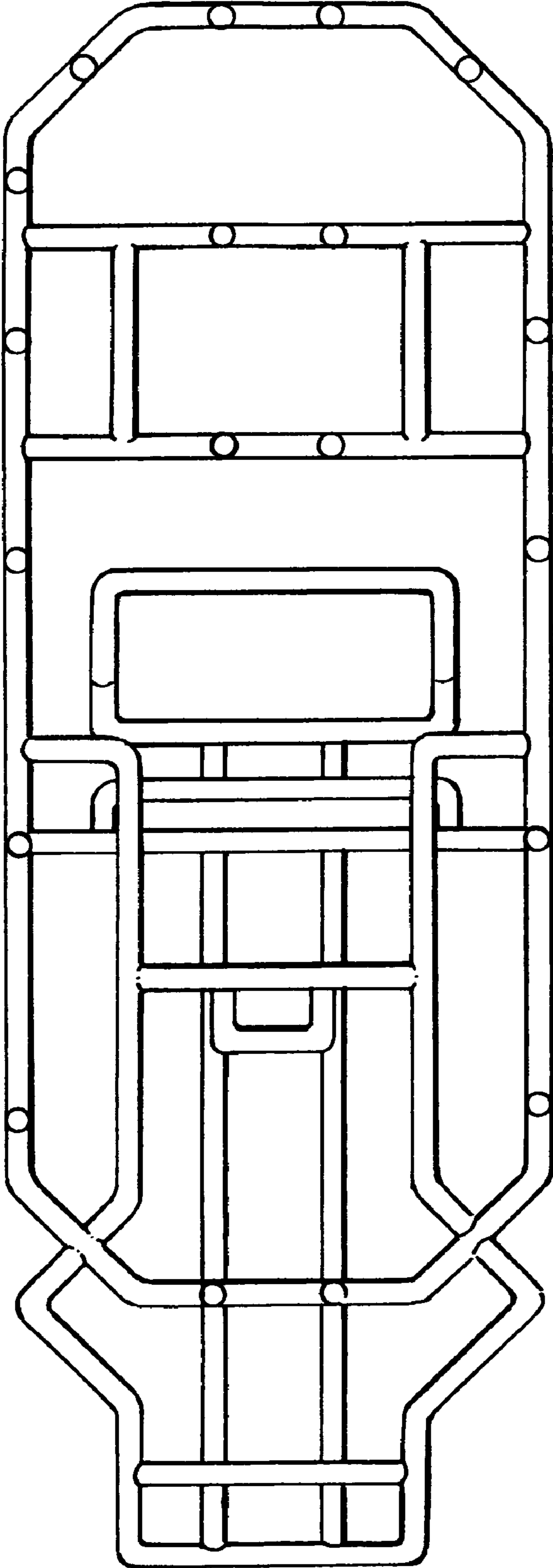


Fig. 4

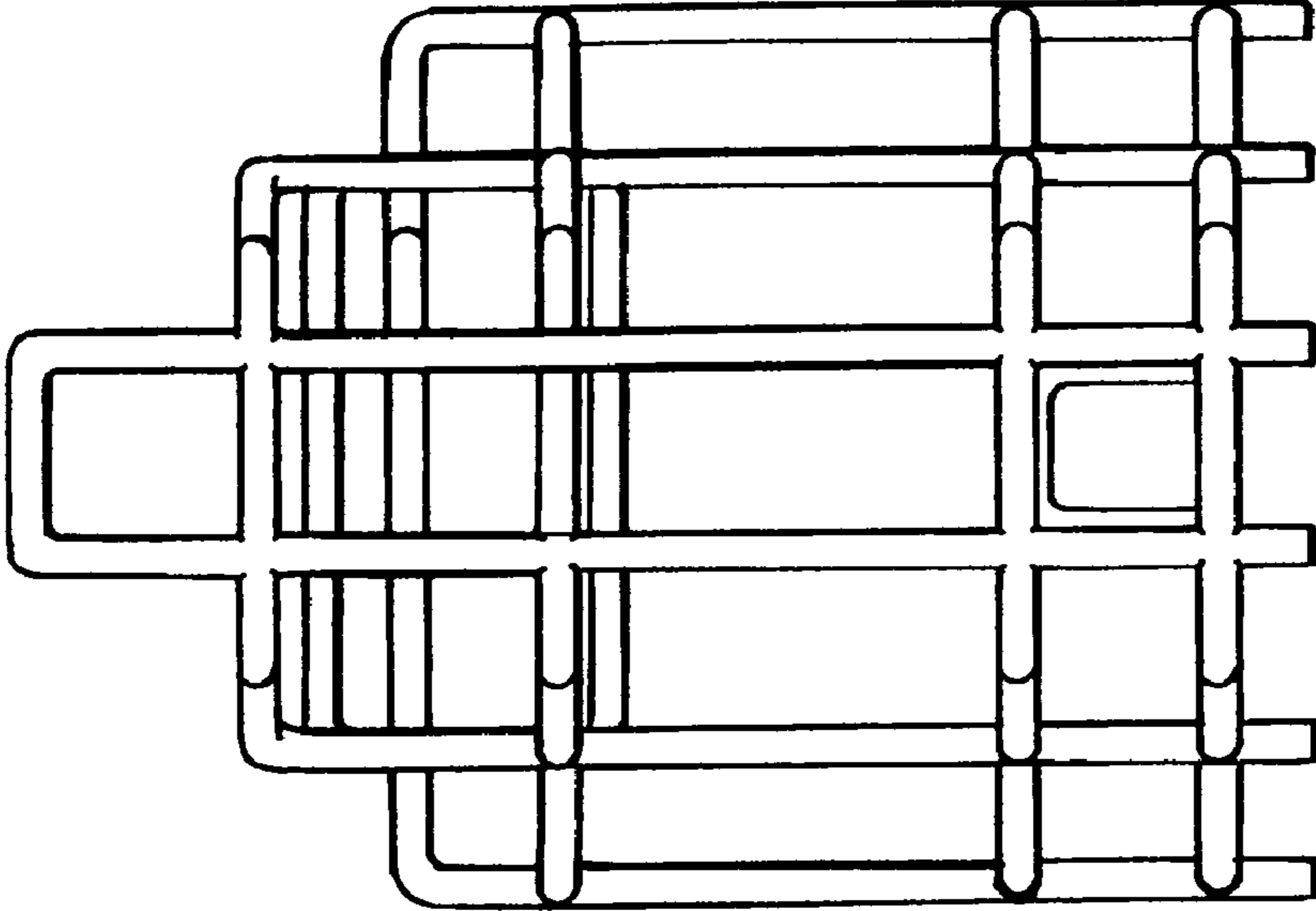


Fig. 6

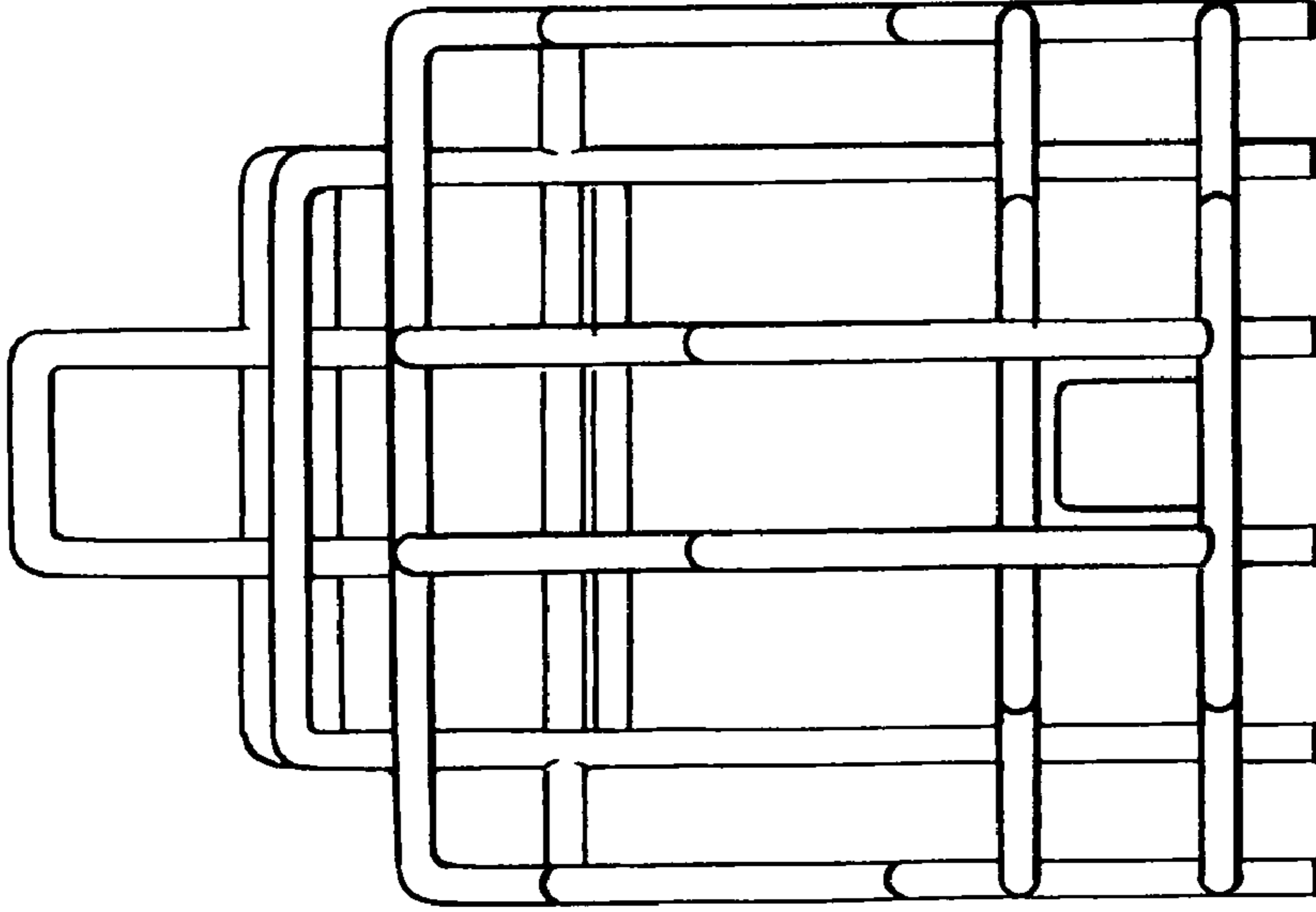


Fig. 5