



US00D651132S

(12) **United States Design Patent**
Lambri et al.

(10) **Patent No.:** **US D651,132 S**

(45) **Date of Patent:** **** Dec. 27, 2011**

(54) **POWERED QUADRICYCLE**

(75) Inventors: **Marco Lambri**, Pontedera (IT); **Marco De Gregorio**, Pontedera (IT)

(73) Assignee: **Piaggio & C. S.p.A.**, Pontedera (Pisa) (IT)

(**) Term: **14 Years**

(21) Appl. No.: **29/373,181**

(22) Filed: **Mar. 11, 2011**

(30) **Foreign Application Priority Data**

Oct. 22, 2010 (EM) 001772039

(51) **LOC (9) Cl.** **12-08**

(52) **U.S. Cl.** **D12/86; D12/90**

(58) **Field of Classification Search** D12/86,
D12/90-92; D21/424, 433, 434; 296/181.1,
296/181.5

See application file for complete search history.

(56) **References Cited**

U.S. PATENT DOCUMENTS

D559,734 S * 1/2008 Sinkwitz D12/90
D619,046 S * 7/2010 Liu et al. D12/90

D619,931 S * 7/2010 Arnell D12/86
D621,749 S * 8/2010 Suga et al. D12/92
D629,717 S * 12/2010 Artioli D12/91
D639,208 S * 6/2011 Li D12/86

* cited by examiner

Primary Examiner — Melody N Brown

(74) *Attorney, Agent, or Firm* — Hedman & Costigan, P.C.;
Kathleen A. Costigan

(57) **CLAIM**

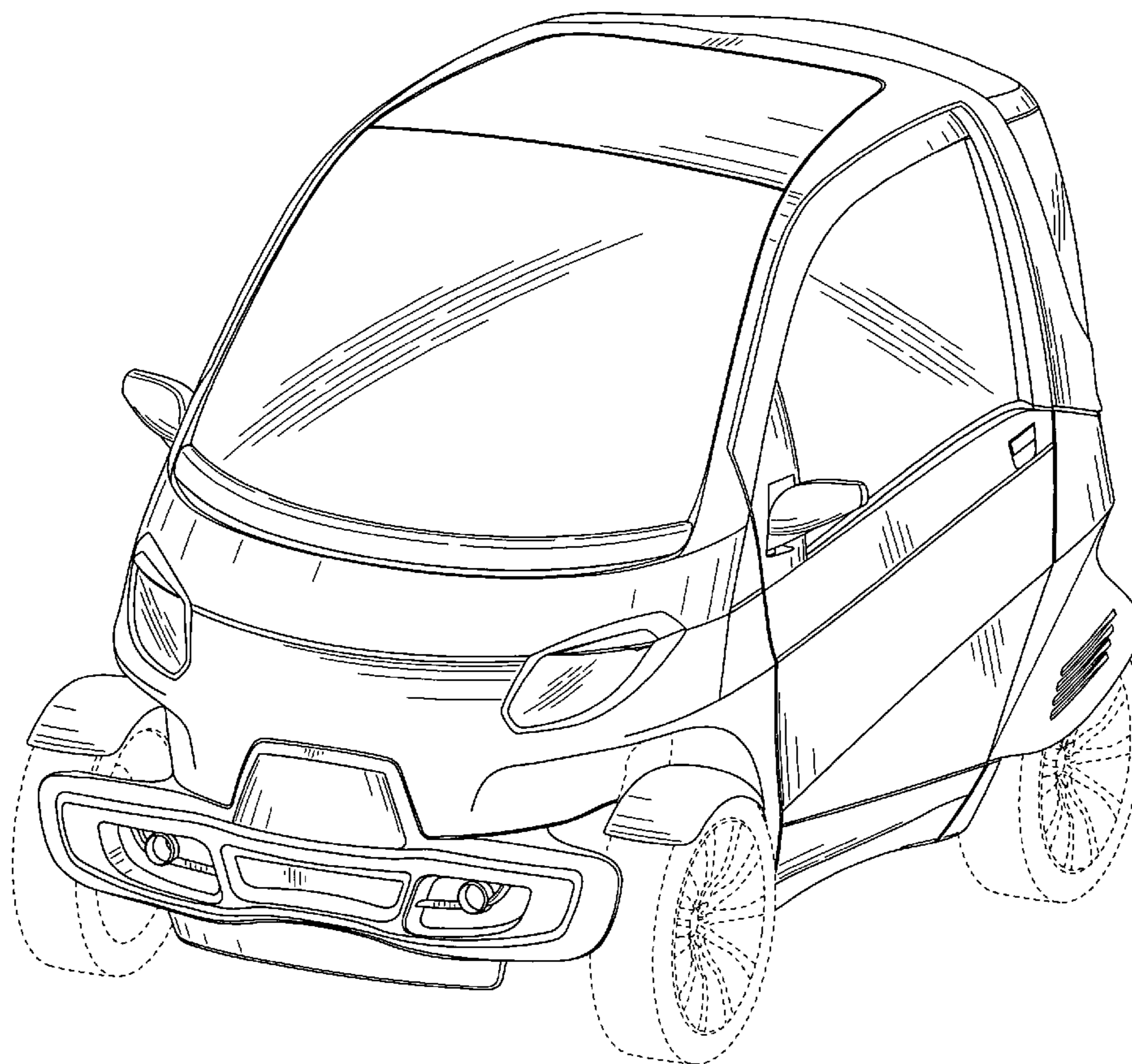
The ornamental design for a powered quadricycle, as shown and described.

DESCRIPTION

FIG. 1 is a front side perspective view of a powered quadricycle showing our new design;
FIG. 2 is a front view thereof;
FIG. 3 is a rear view thereof;
FIG. 4 is a left side view thereof;
FIG. 5 is a right side view thereof; and
FIG. 6 is a top view thereof; and,
FIG. 7 is a bottom view thereof.

The portions of the vehicle shown in broken lines are for illustrative purposes only and form no part of the claimed design.

1 Claim, 7 Drawing Sheets



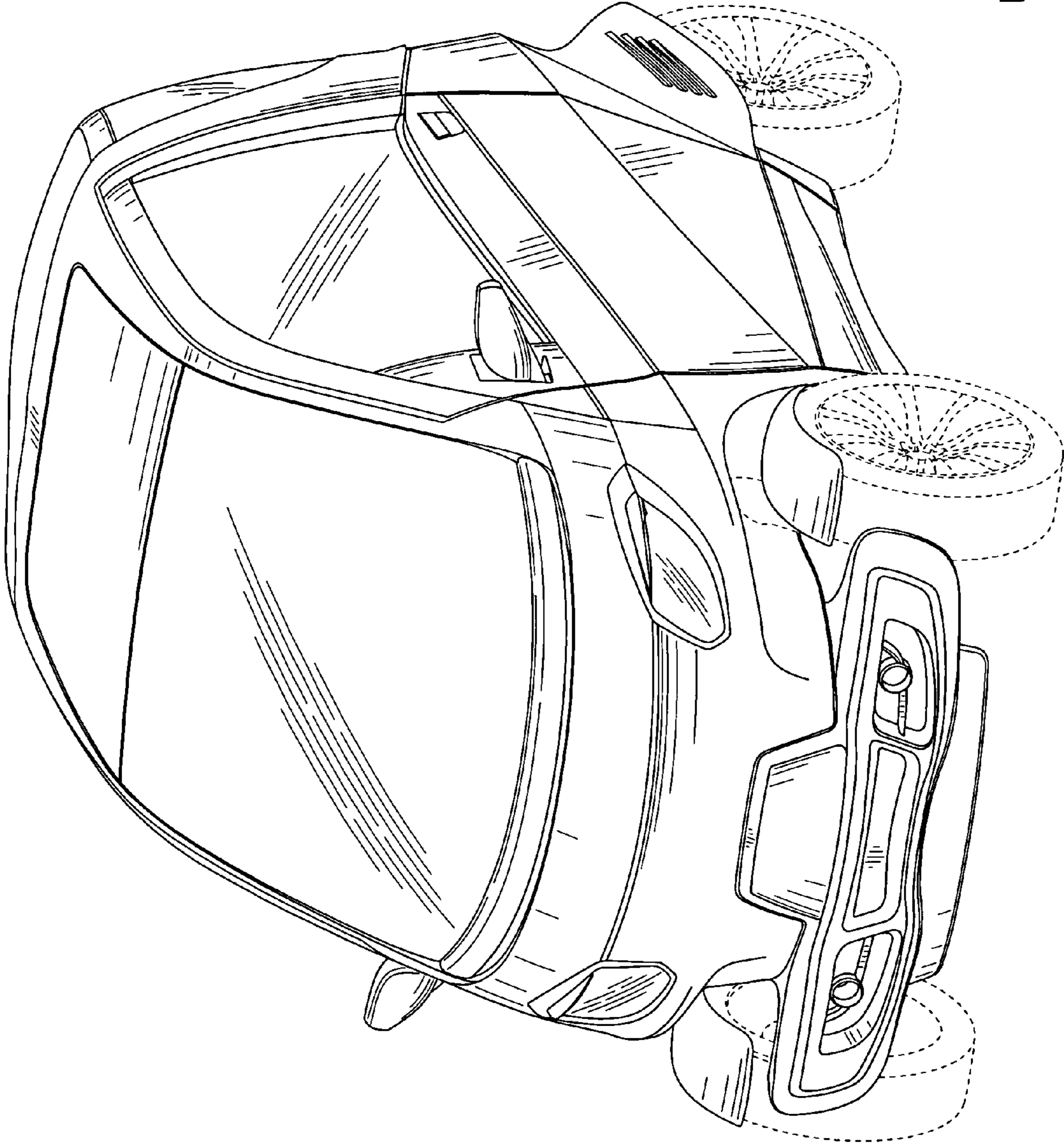


FIG. 1

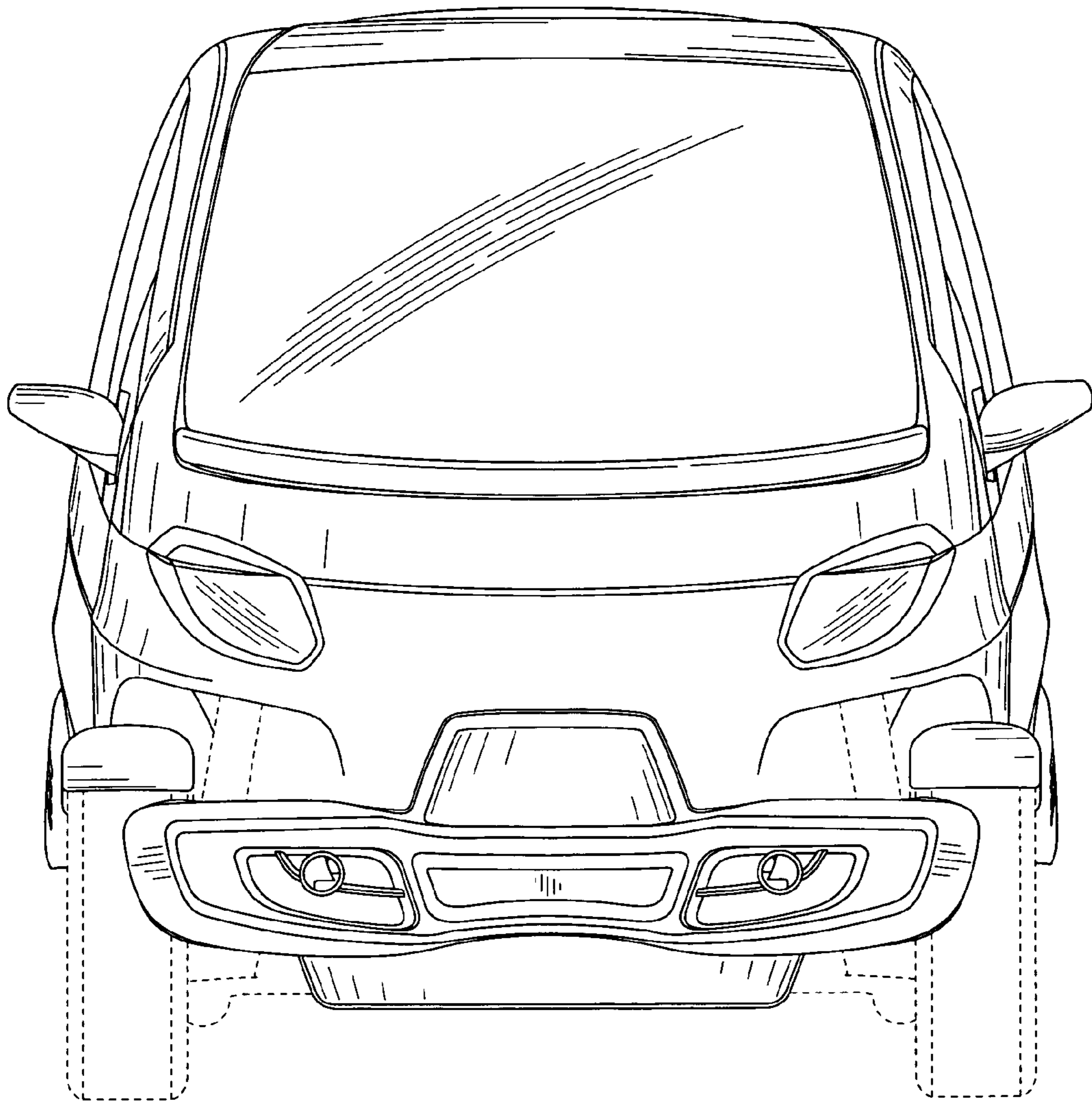


FIG. 2

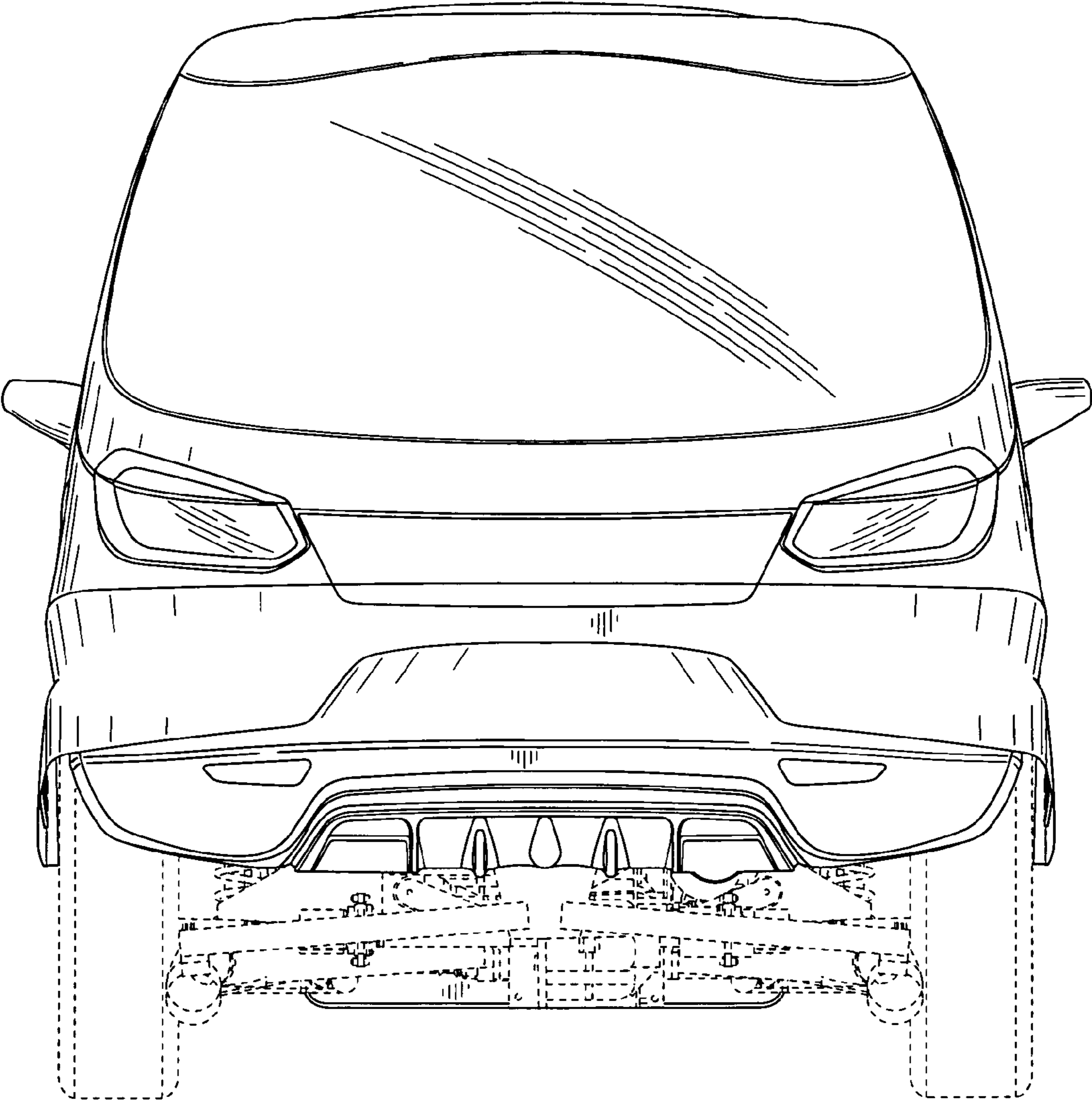


FIG. 3

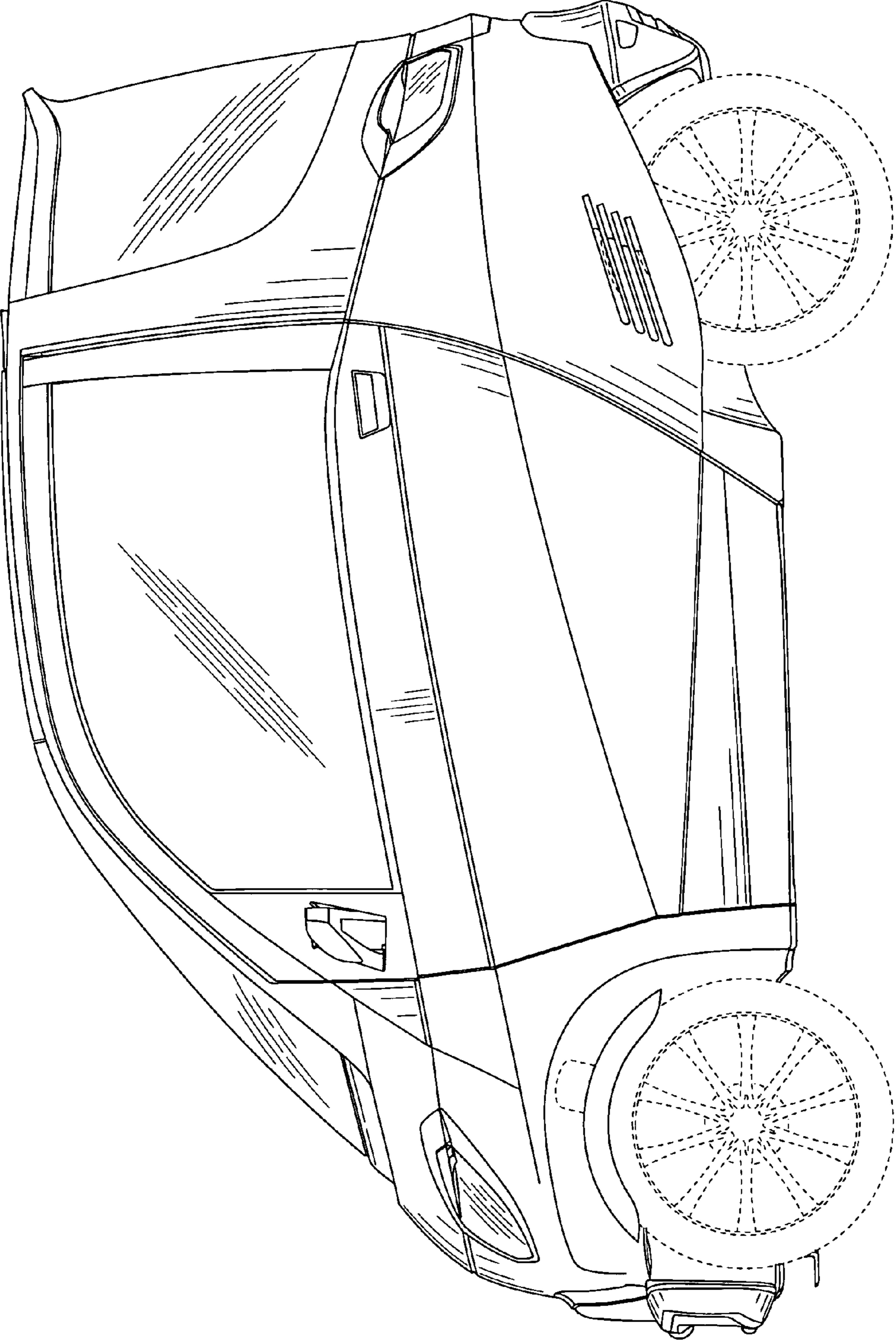


FIG. 4

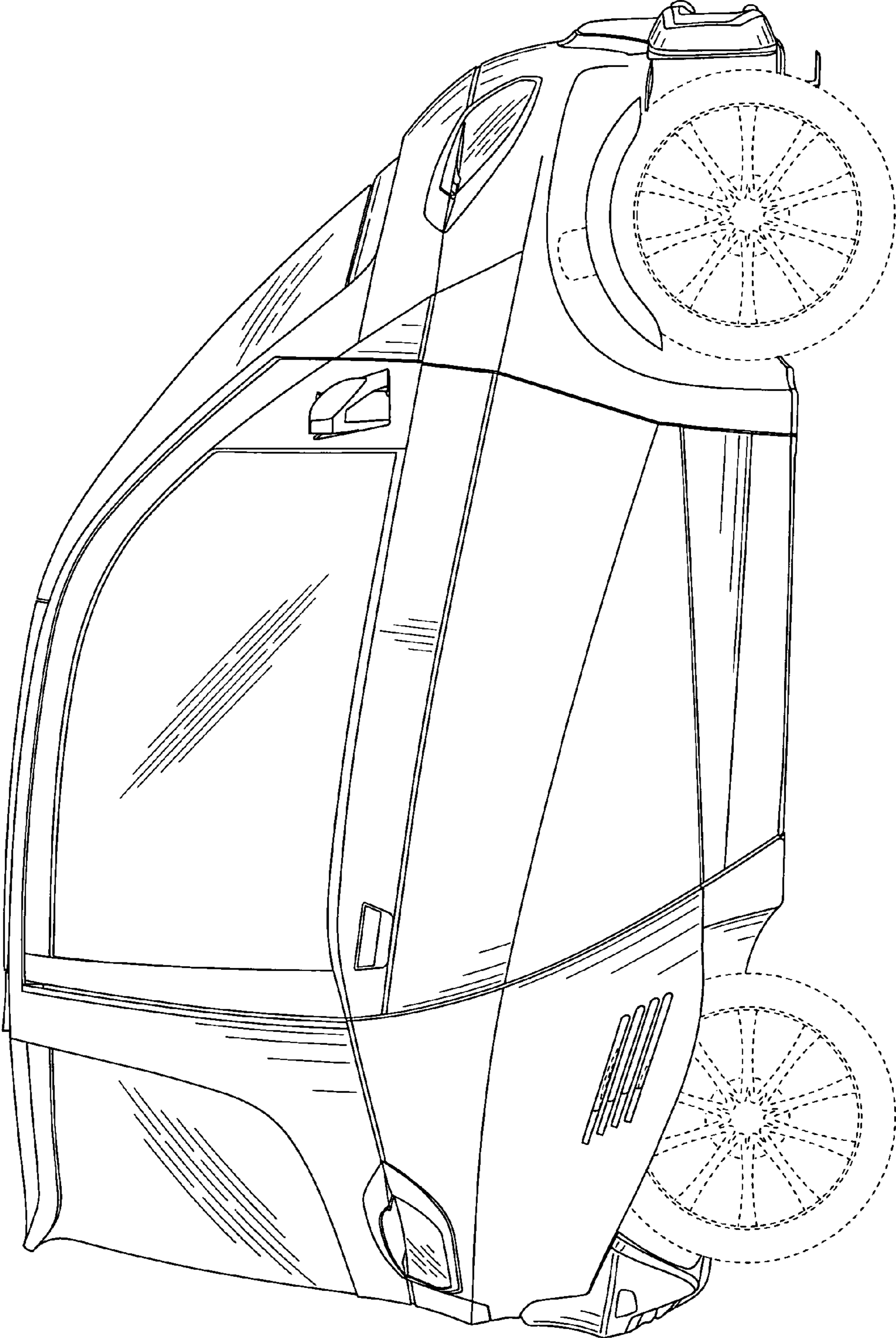


FIG. 5

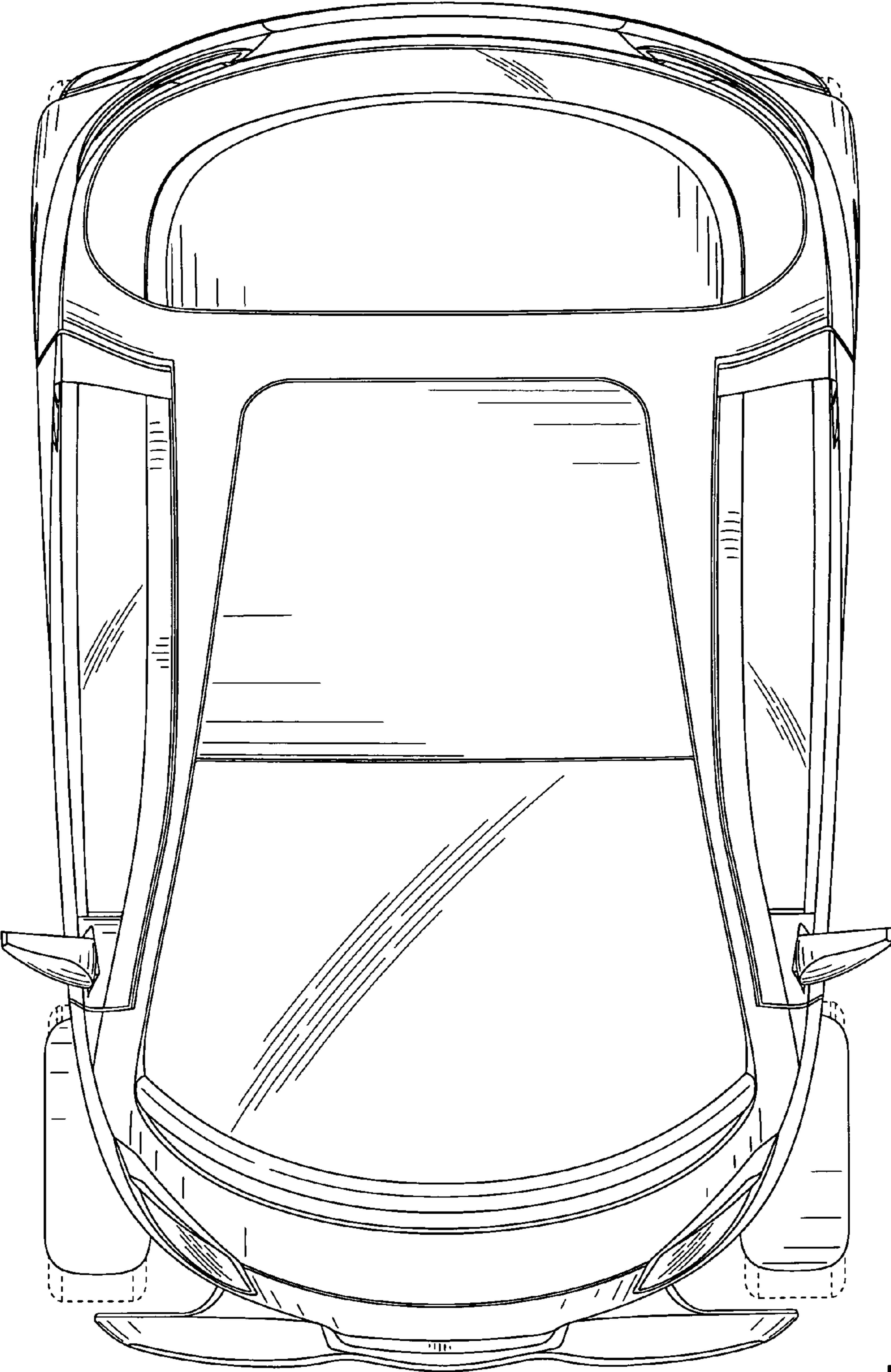


FIG. 6

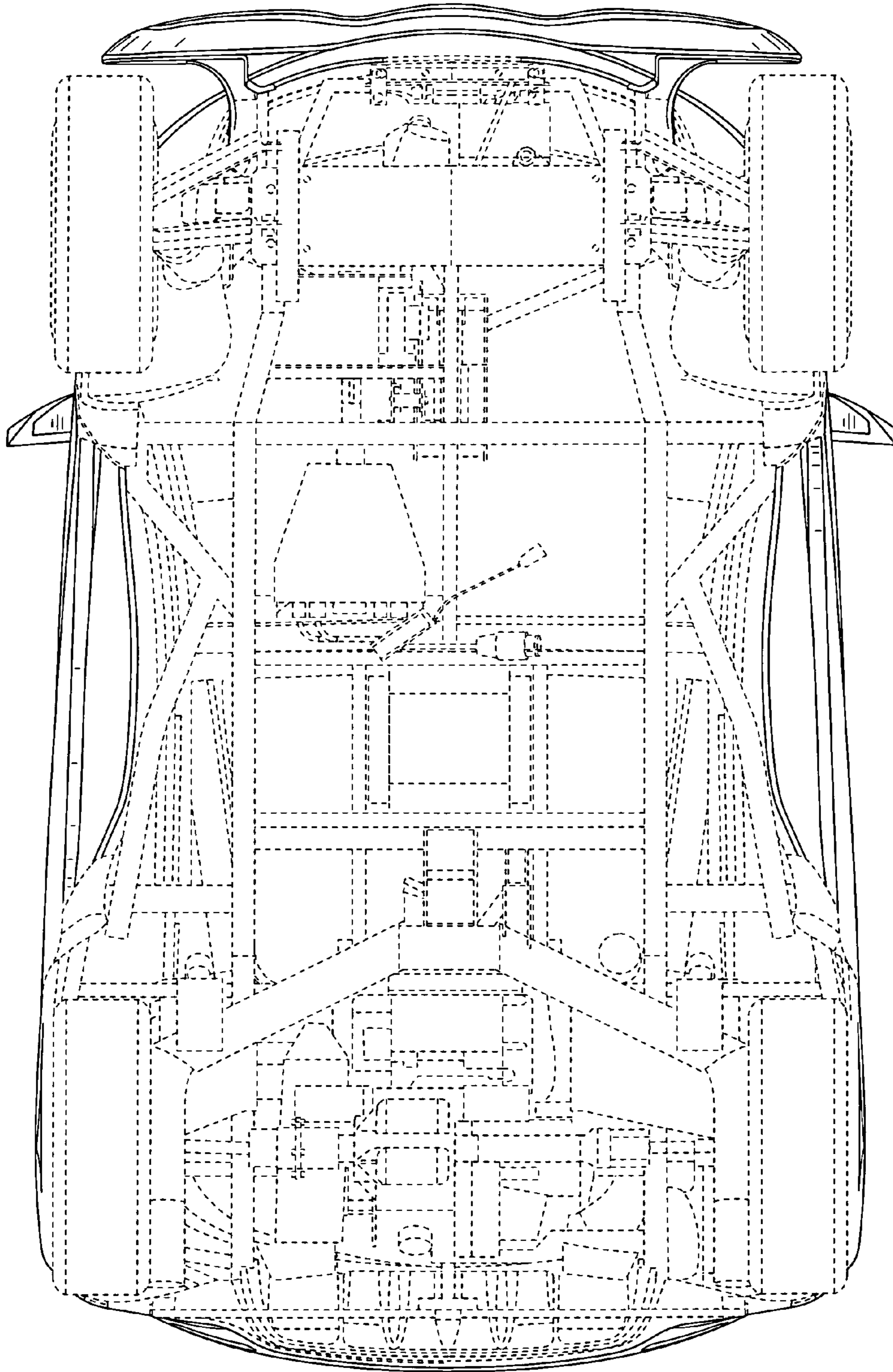


FIG. 7