



US00D651130S

(12) **United States Design Patent**  
**Hamada et al.**

(10) **Patent No.:** **US D651,130 S**  
(45) **Date of Patent:** **\*\* Dec. 27, 2011**

(54) **SLIDER FOR SLIDE FASTENER**  
(75) Inventors: **Yoshikazu Hamada**, Toyama-ken (JP);  
**Yohei Miyazaki**, Toyama-ken (JP)

D643,336 S \* 8/2011 Di Girolami et al. .... D11/221  
D643,777 S \* 8/2011 Iwase ..... D11/221  
D643,779 S \* 8/2011 Di Girolami et al. .... D11/221  
D646,196 S \* 10/2011 Yamagishi ..... D11/221

(73) Assignee: **YKK Corporation** (JP)

**FOREIGN PATENT DOCUMENTS**

JP 831350-1 11/1996

(\*\*) Term: **14 Years**

\* cited by examiner

(21) Appl. No.: **29/398,024**

*Primary Examiner* — Ralf Seifert

(22) Filed: **Jul. 25, 2011**

(74) *Attorney, Agent, or Firm* — Kilpatrick Townsend & Stockton LLP

(30) **Foreign Application Priority Data**

(57) **CLAIM**

Jan. 26, 2011 (JP) ..... D2011-001580

The ornamental design for a slider for slide fastener, as shown and described.

(51) **LOC (9) Cl.** ..... **02-07**

**DESCRIPTION**

(52) **U.S. Cl.** ..... **D11/221**

(58) **Field of Classification Search** ..... D11/200,  
D11/201, 221; 24/381–383, 385–387, 414–417,  
24/421–422, 427–431, 433; 2/265  
See application file for complete search history.

FIG. 1 is a perspective view of the top, front and left side of a slider for slide fastener showing my (our) new design;  
FIG. 2 is a front view thereof;  
FIG. 3 is a rear view thereof;  
FIG. 4 is a top plan view thereof;  
FIG. 5 is a bottom view thereof; and,  
FIG. 6 is a right side view thereof, the left side view being mirror image thereof.  
The portions of the article in broken lines are shown for illustrative purposes only and form no part of the claimed design.

(56) **References Cited**

**U.S. PATENT DOCUMENTS**

D398,560 S \* 9/1998 Oda ..... D11/221  
D509,770 S \* 9/2005 Hamada et al. .... D11/221  
D576,916 S \* 9/2008 Yamamoto ..... D11/221  
D629,333 S \* 12/2010 Miyazaki et al. .... D11/221  
D643,333 S \* 8/2011 Iwase ..... D11/221

**1 Claim, 4 Drawing Sheets**

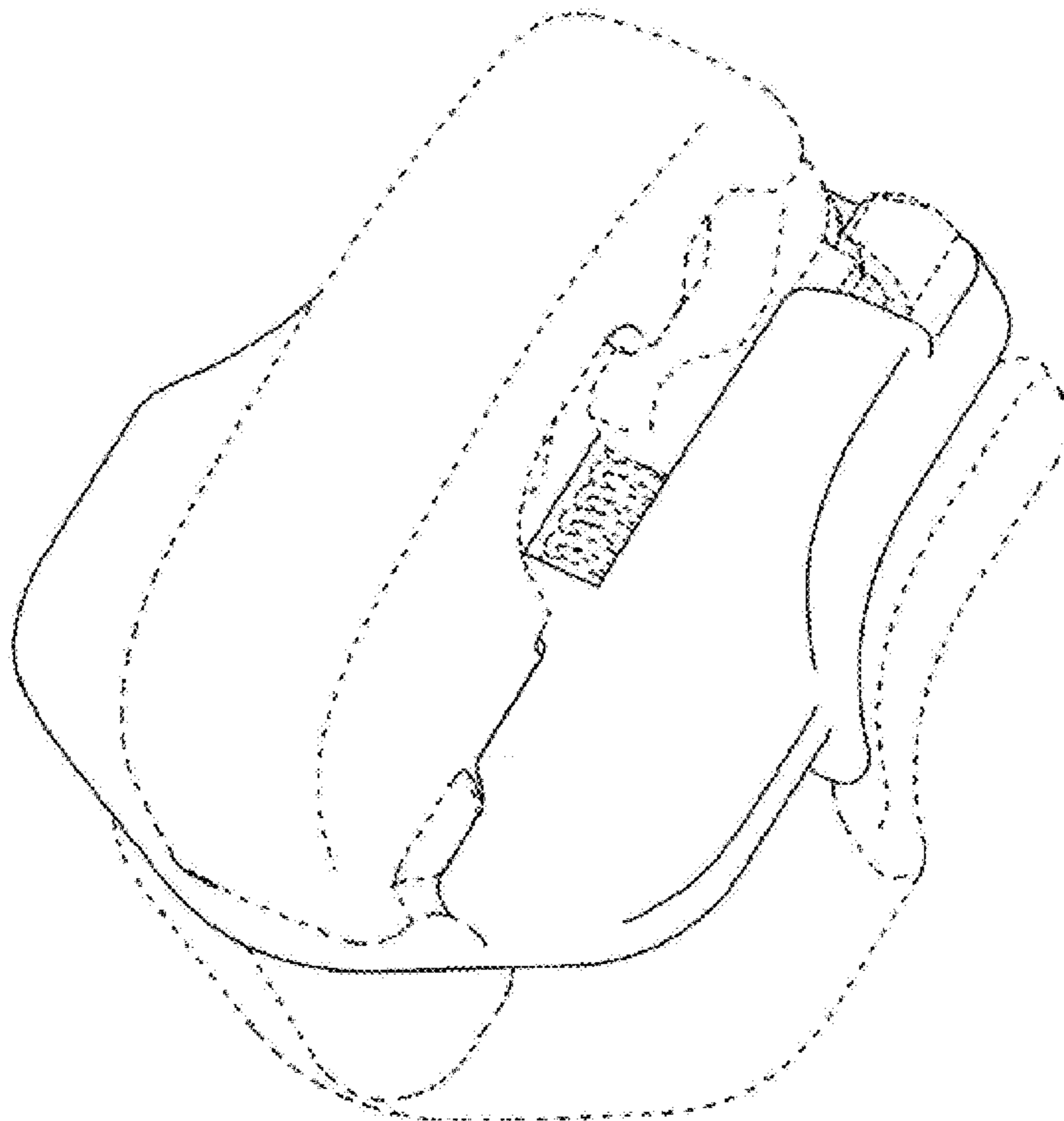


Fig. 1

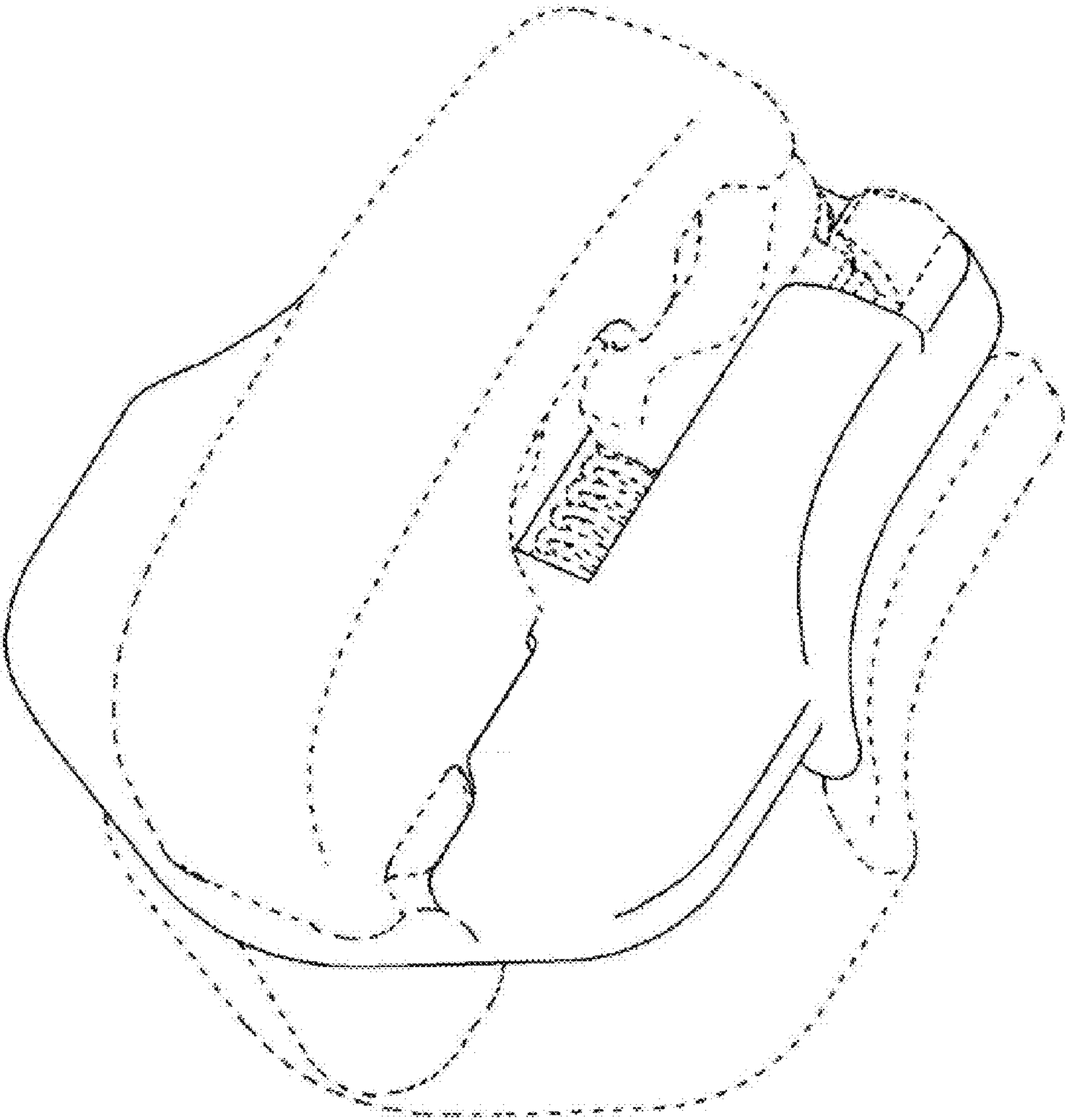


Fig. 2

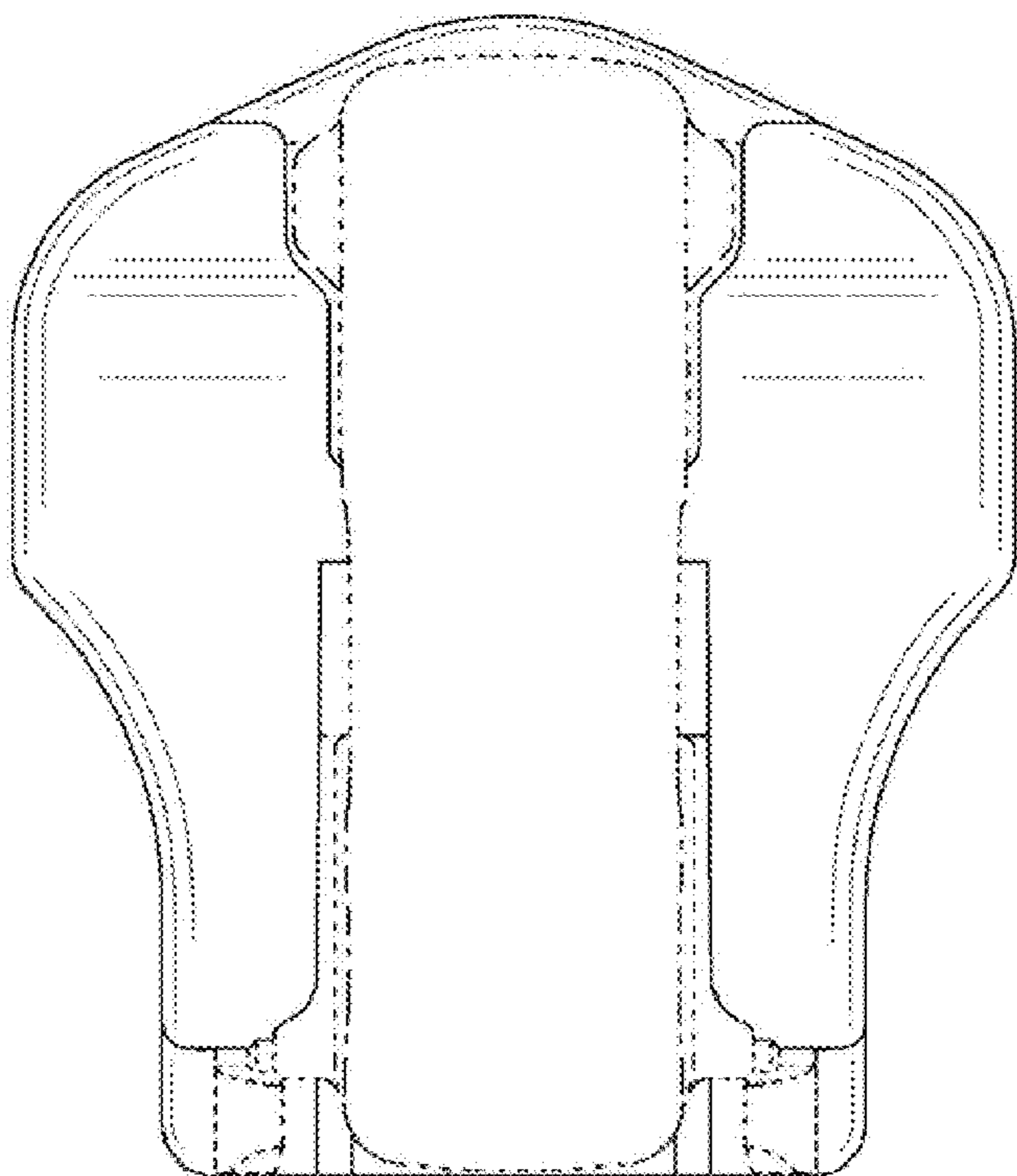


Fig. 3

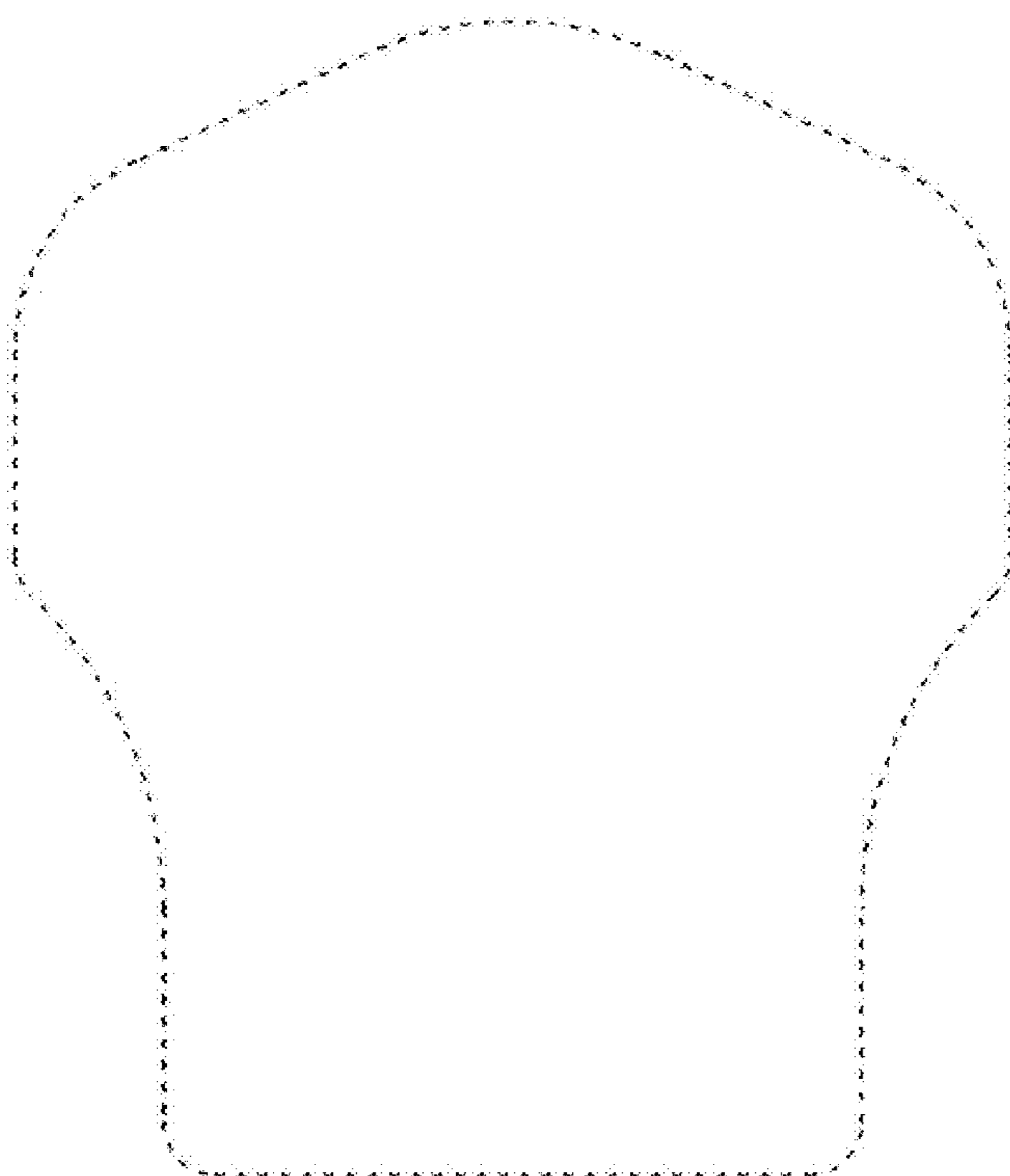


Fig. 4

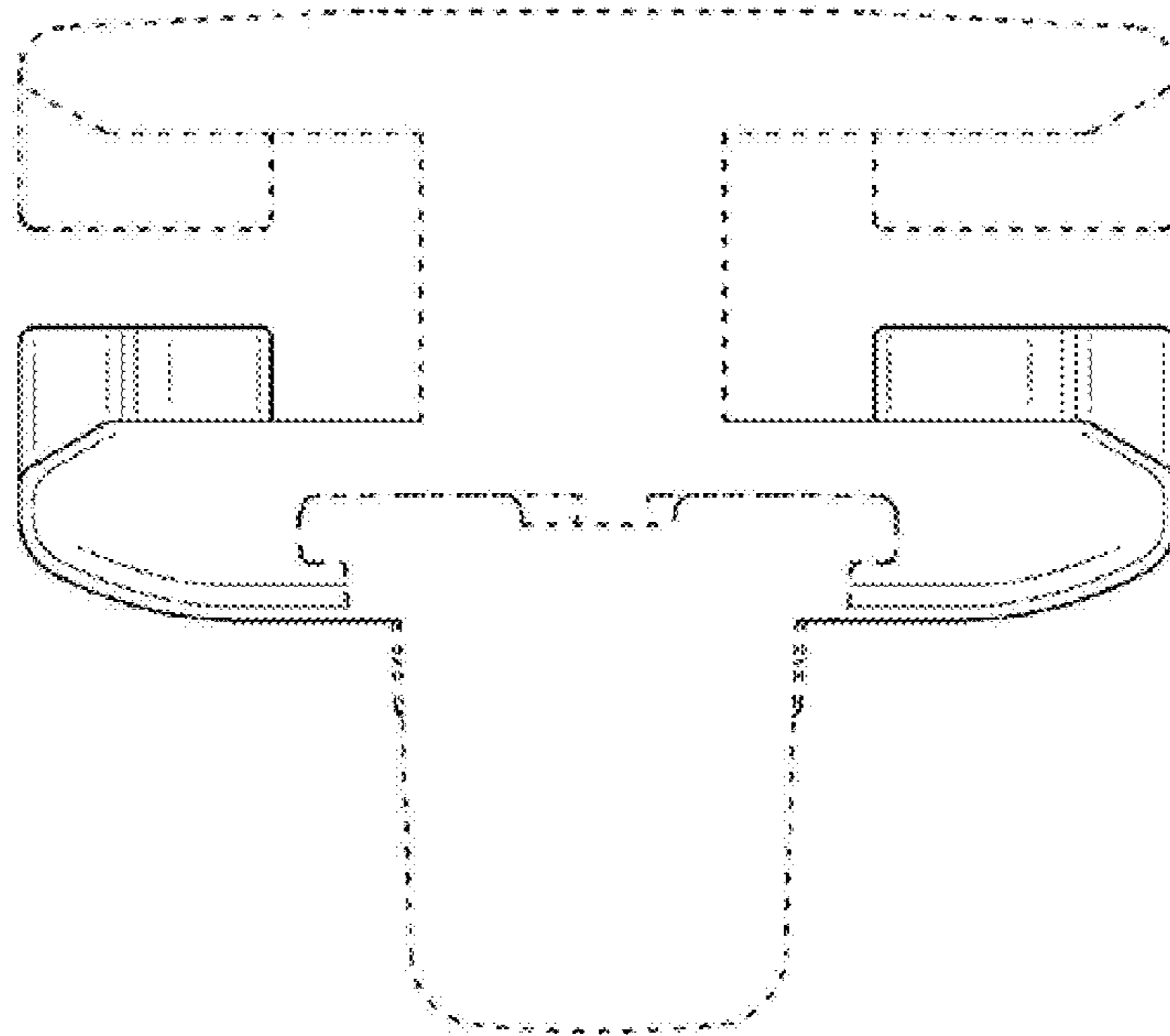


Fig. 5

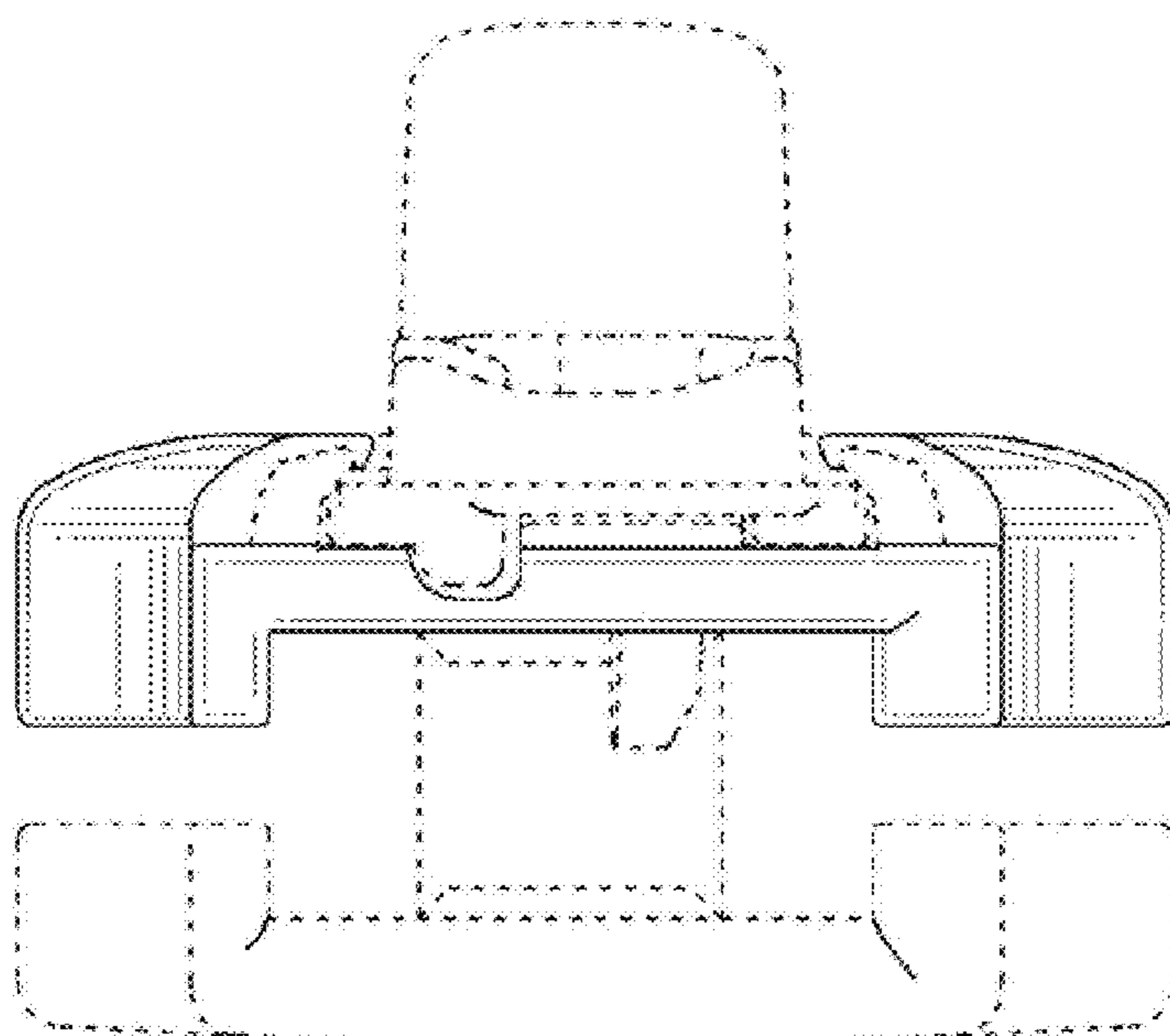


Fig. 6

