



US00D651129S

(12) **United States Design Patent**
Wang

(10) **Patent No.:** **US D651,129 S**
(45) **Date of Patent:** **** Dec. 27, 2011**

(54) **DOUBLE LAYER COIL ZIPPER SLIDER WITH NOSE**

D556,087 S * 11/2007 Lin D11/221
D612,293 S * 3/2010 Cossutti D11/221
D627,683 S * 11/2010 Ynna D11/211

* cited by examiner

(76) Inventor: **Lien-Chou Wang**, Taipei (TW)

Primary Examiner — Ralf Seifert

(**) Term: **14 Years**

(74) *Attorney, Agent, or Firm* — Jackson IPG PLLC;
Demian K. Jackson

(21) Appl. No.: **29/396,458**

(57) **CLAIM**

(22) Filed: **Jun. 30, 2011**

The ornamental design for double layer coil zipper slider with nose, as shown and described.

(51) **LOC (9) Cl.** **02-07**

DESCRIPTION

(52) **U.S. Cl.** **D11/221**

(58) **Field of Classification Search** D11/200,
D11/201, 221; 24/381–383, 385–387, 414–417,
24/421–422, 427–431, 433; 2/265
See application file for complete search history.

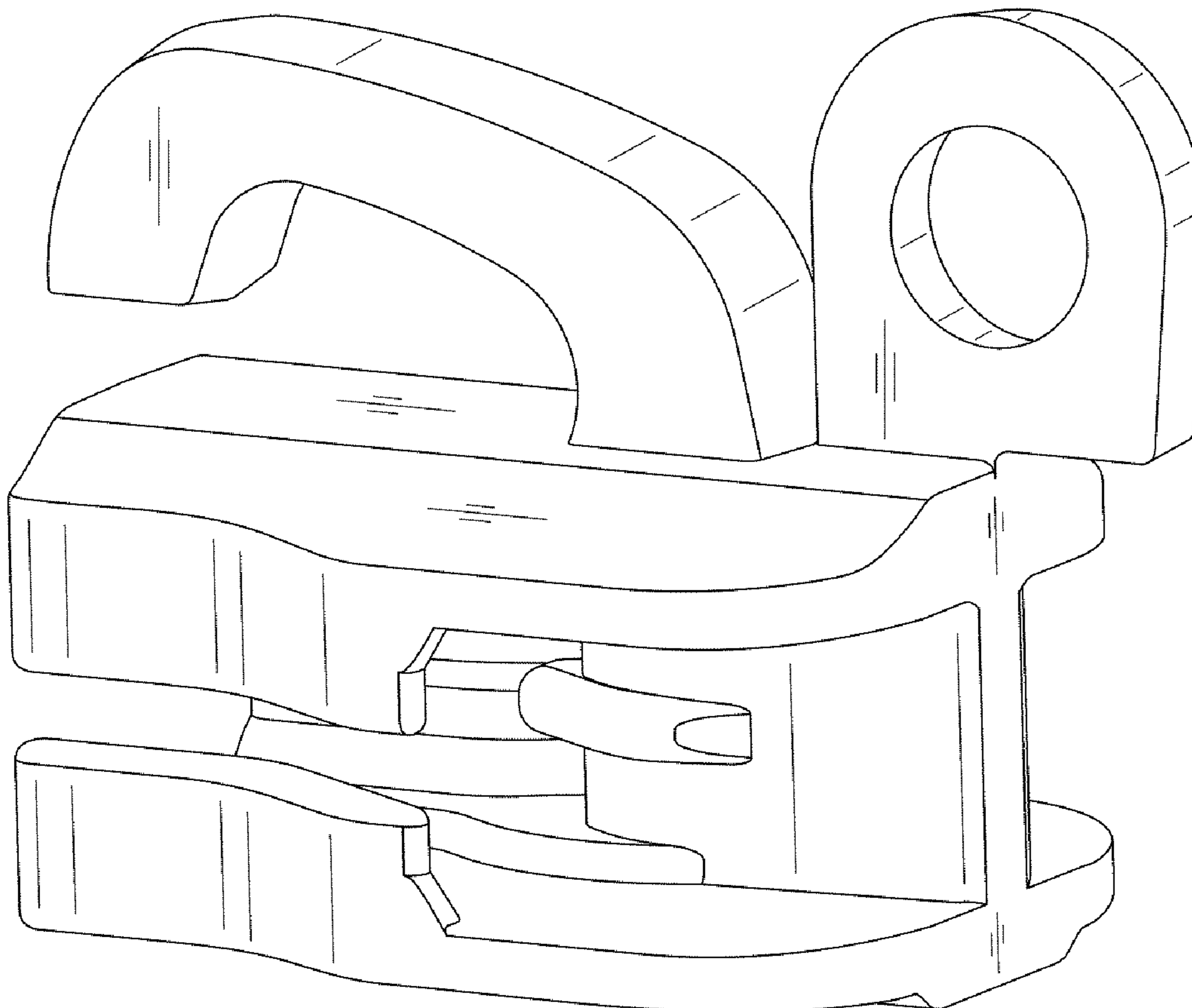
FIG. 1 is a perspective view of a padlock showing my new design;
FIG. 2 is a front elevational view thereof;
FIG. 3 is a rear elevational view thereof;
FIG. 4 is a top plan view thereof;
FIG. 5 is a bottom plan view thereof;
FIG. 6 is a right side elevational view thereof;
FIG. 7 is a left side elevational view thereof;
FIG. 8 is a cross sectional view of FIG. 4;
FIG. 9 is a cross sectional view of FIG. 6;
FIG. 10 is a cross sectional view of FIG. 6; and,
FIG. 11 is a perspective view from another view.

(56) **References Cited**

U.S. PATENT DOCUMENTS

D393,431 S * 4/1998 Kawamura D11/221
D446,165 S * 8/2001 Yoneoka D11/221
D471,134 S * 3/2003 Yoneoka et al. D11/221
D526,931 S * 8/2006 Koenig et al. D11/221
D555,538 S * 11/2007 Lin D11/221

1 Claim, 11 Drawing Sheets



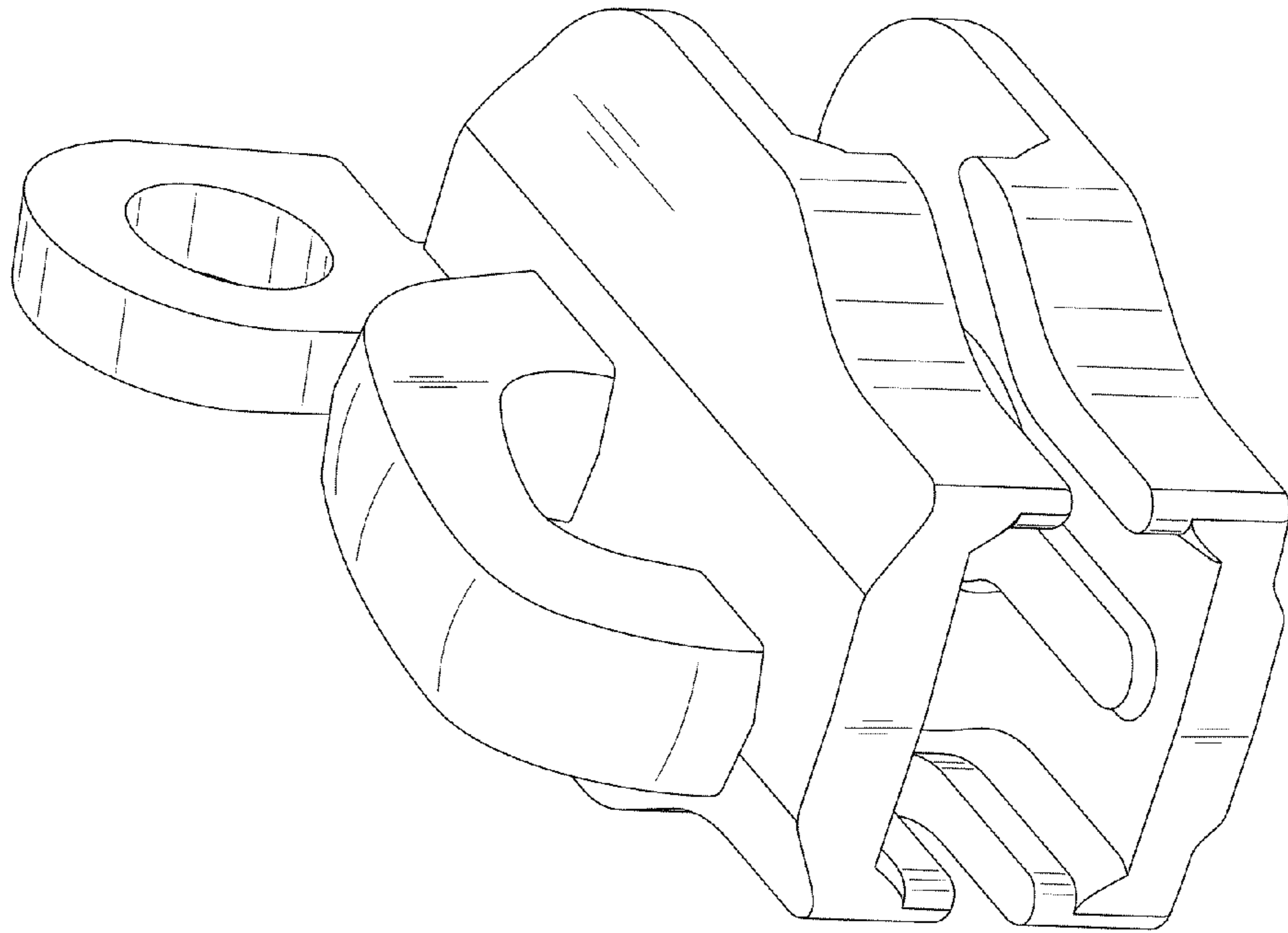


Fig. 1

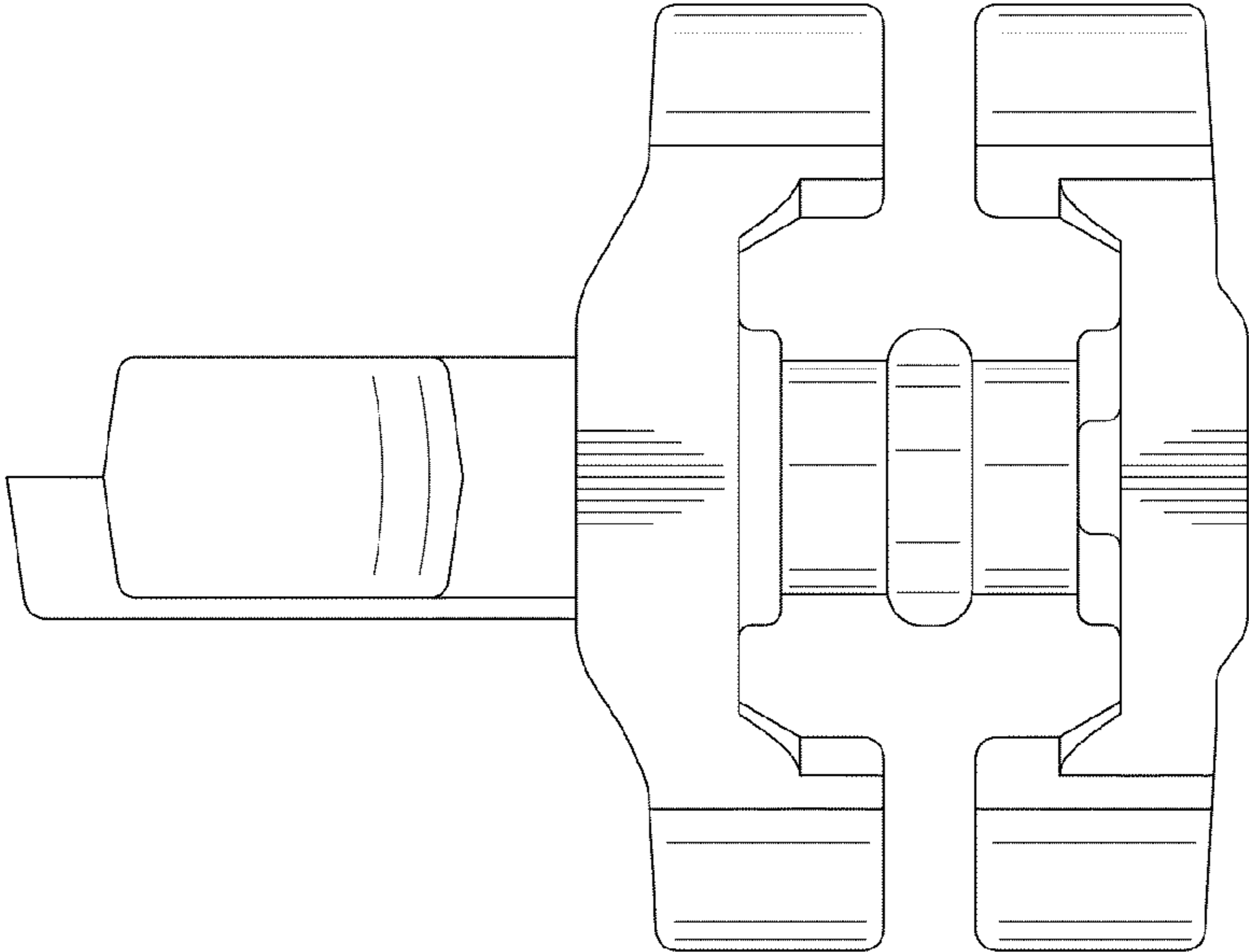


Fig. 2

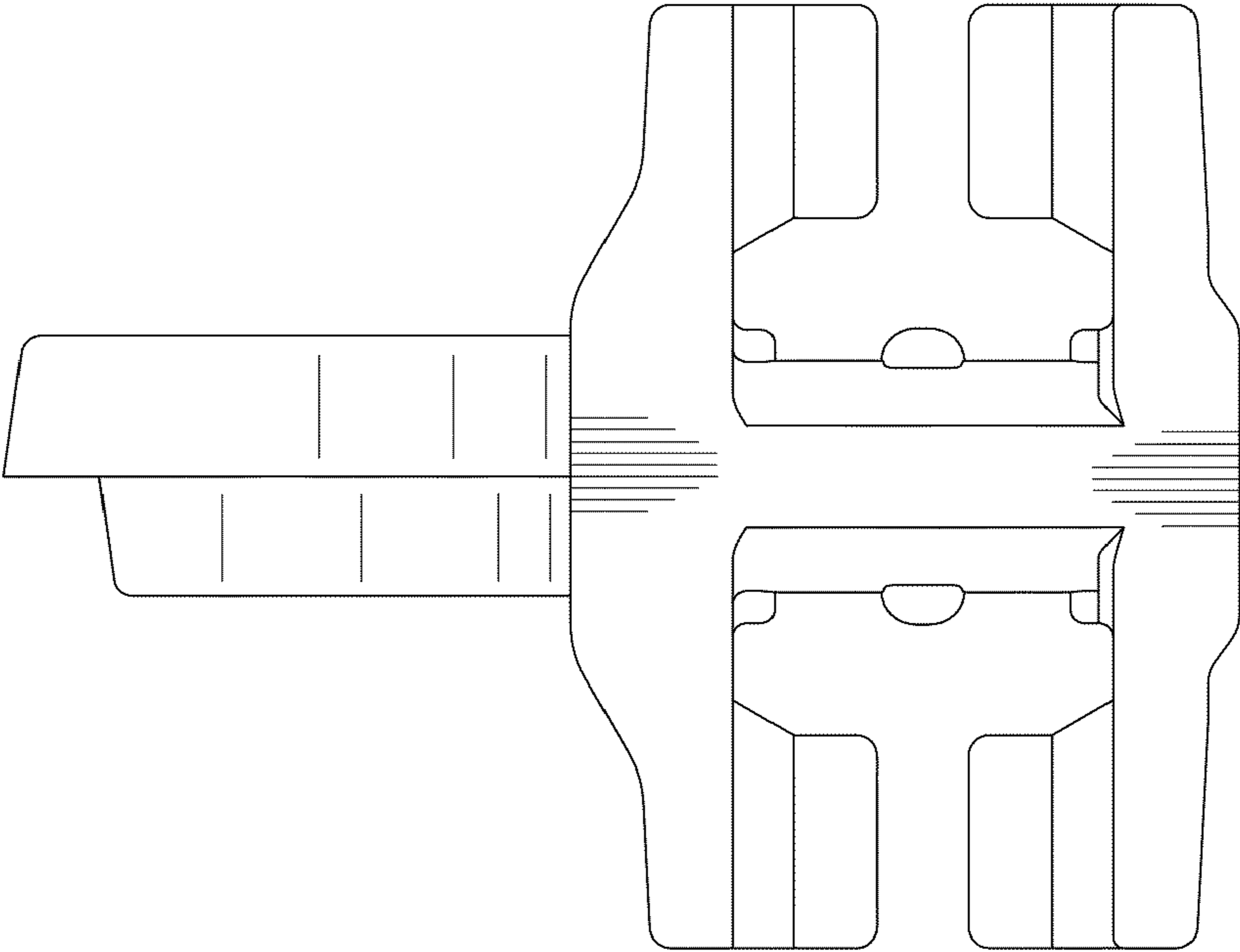


Fig. 3

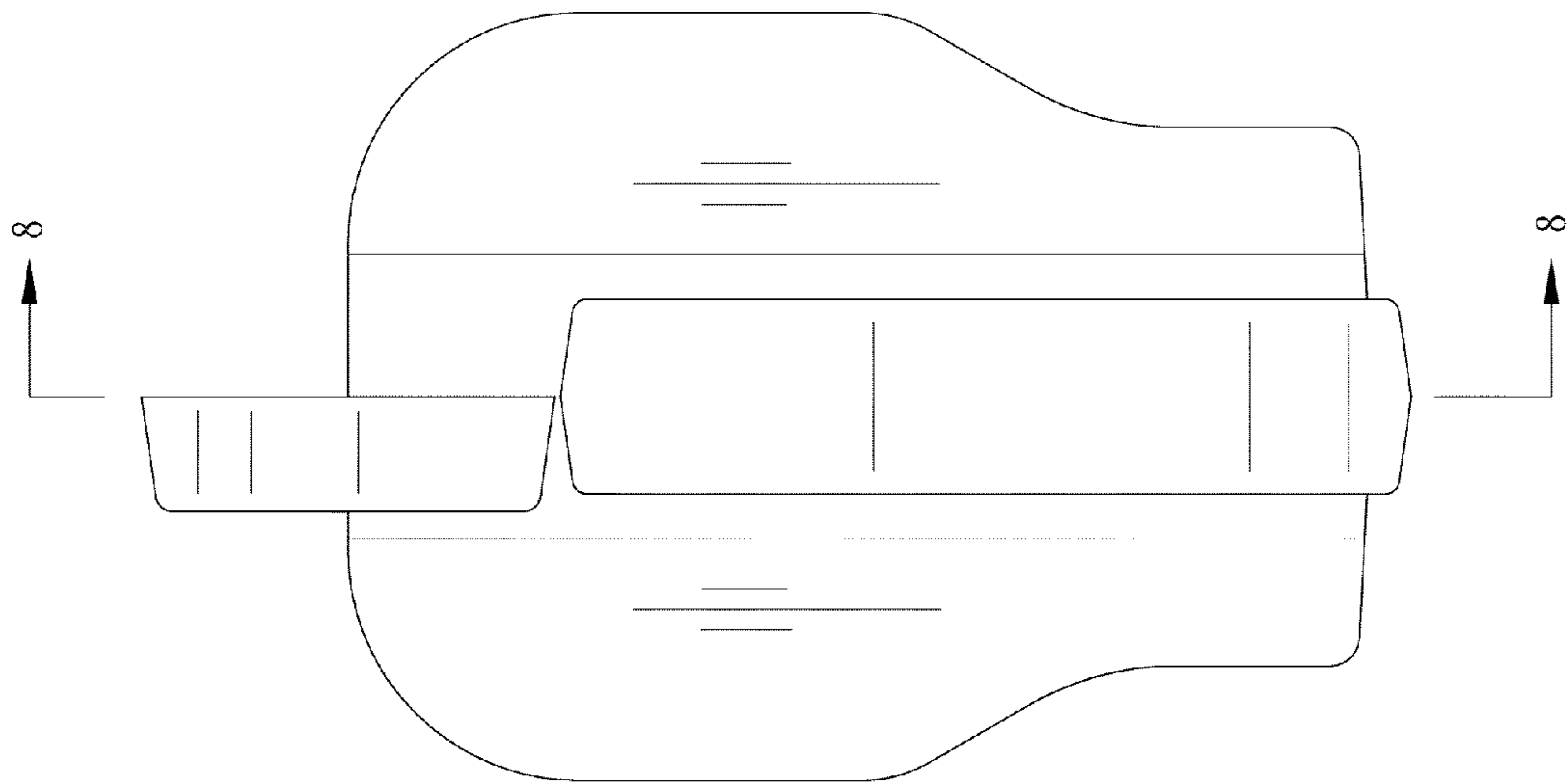


Fig. 4

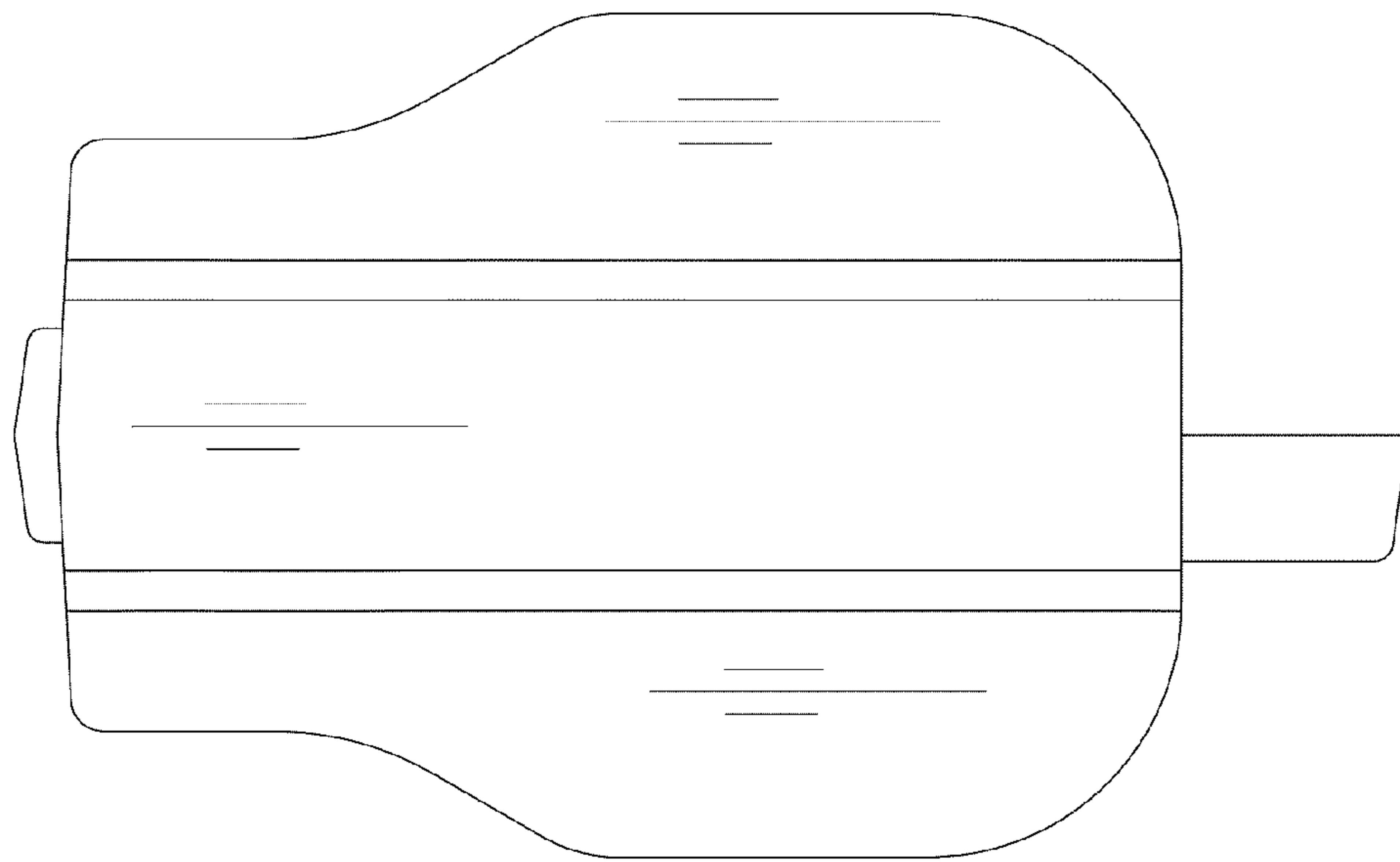


Fig. 5

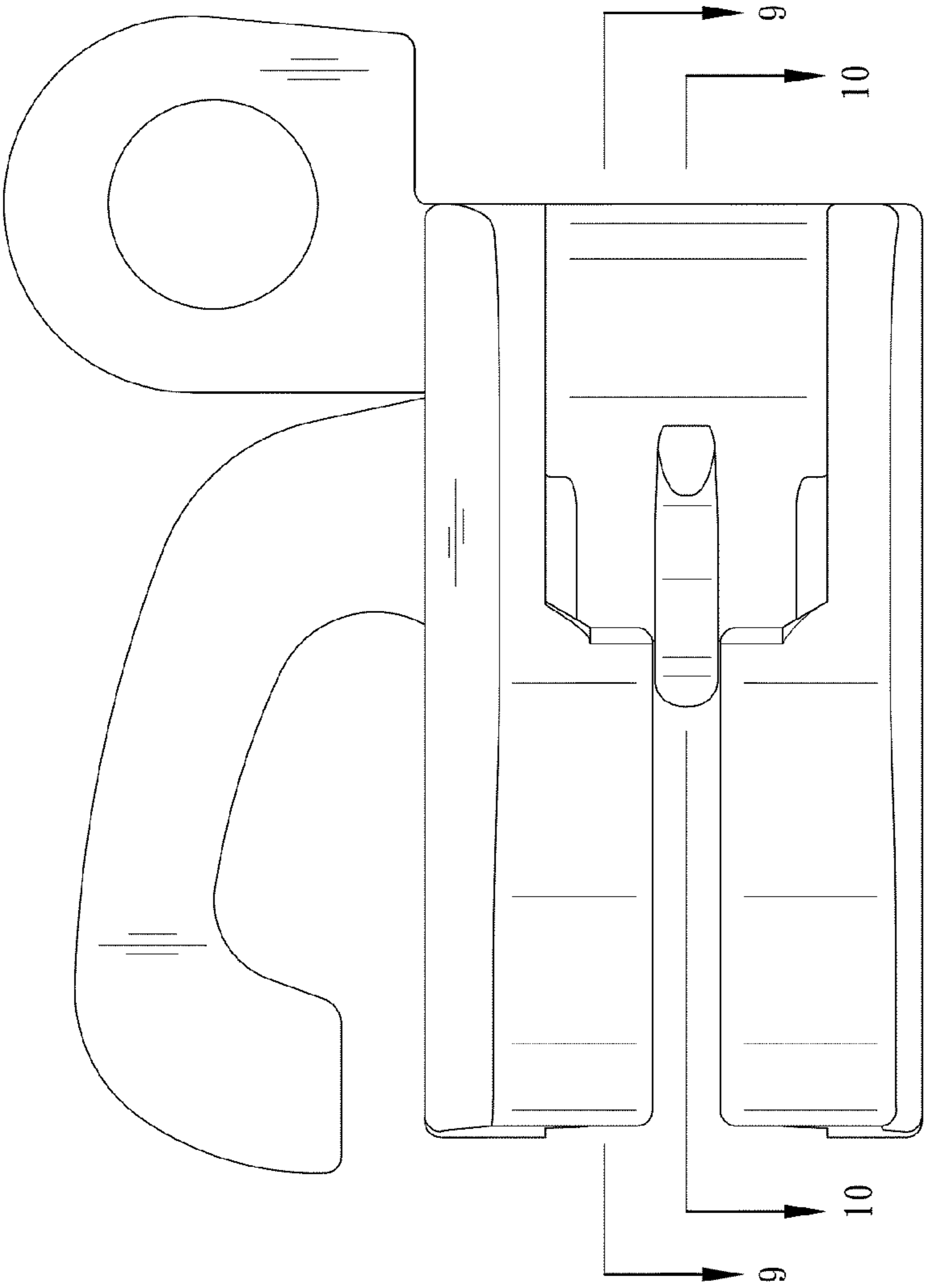


Fig. 6

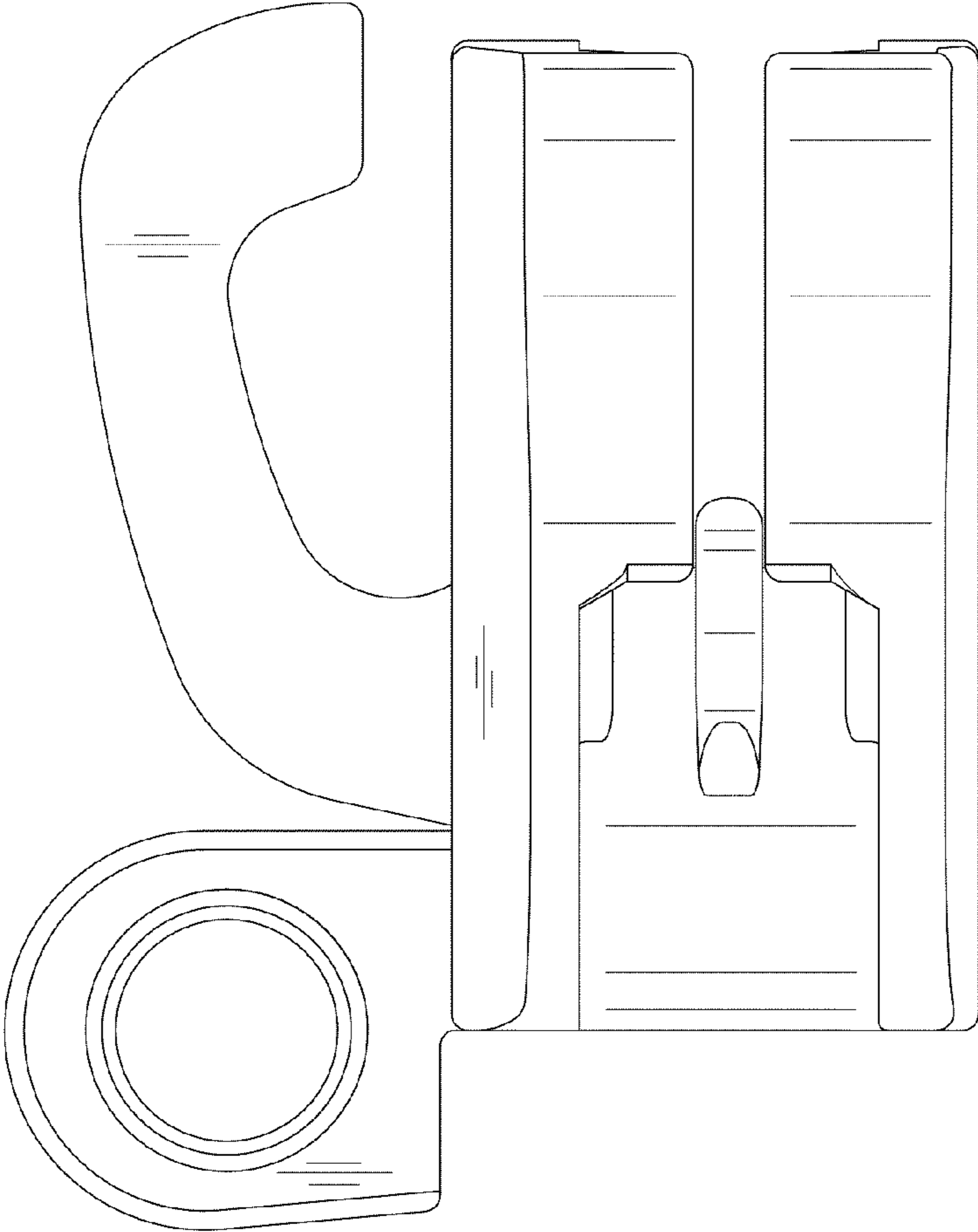


Fig. 7

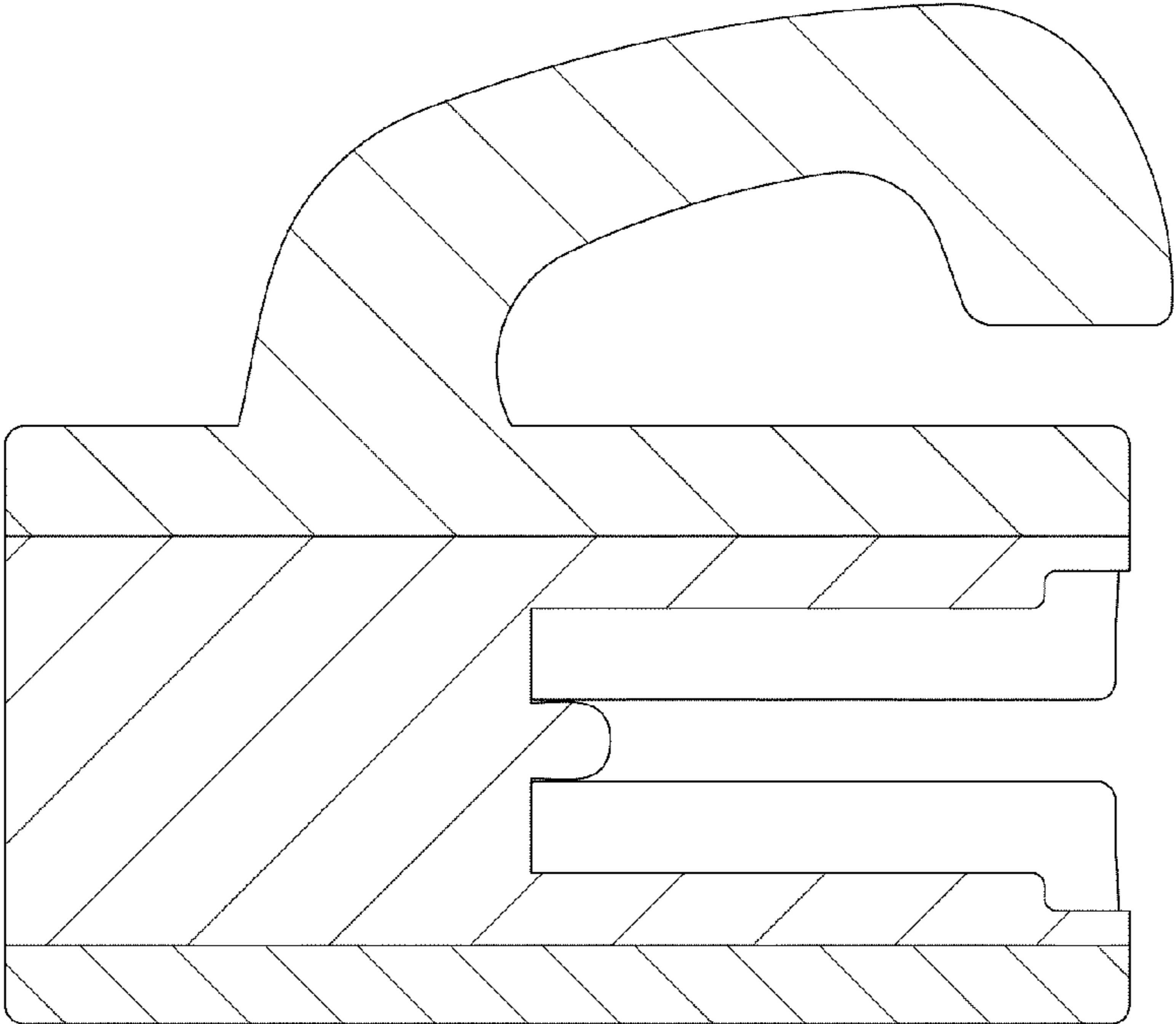


Fig. 8

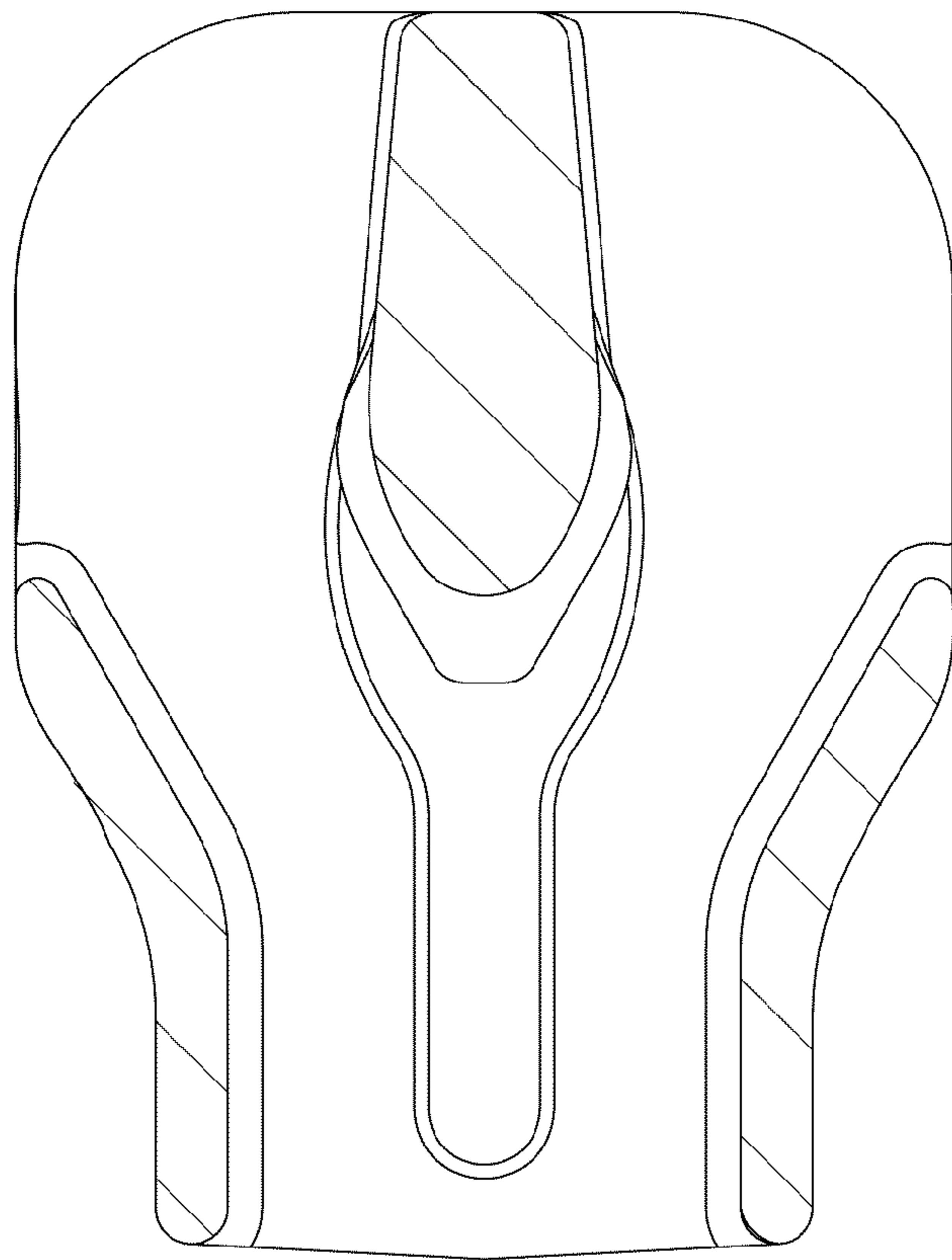


Fig. 9

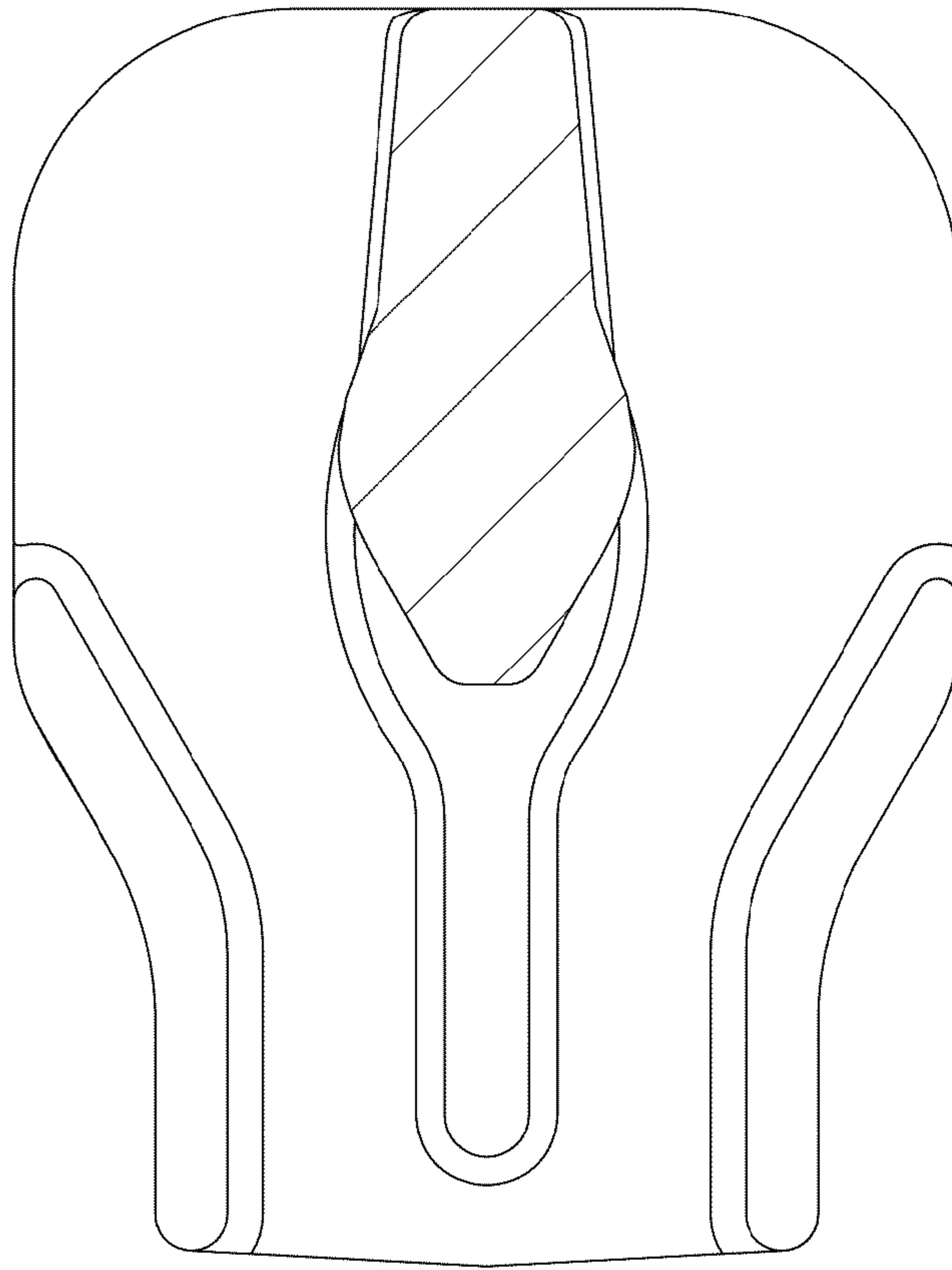


Fig. 10

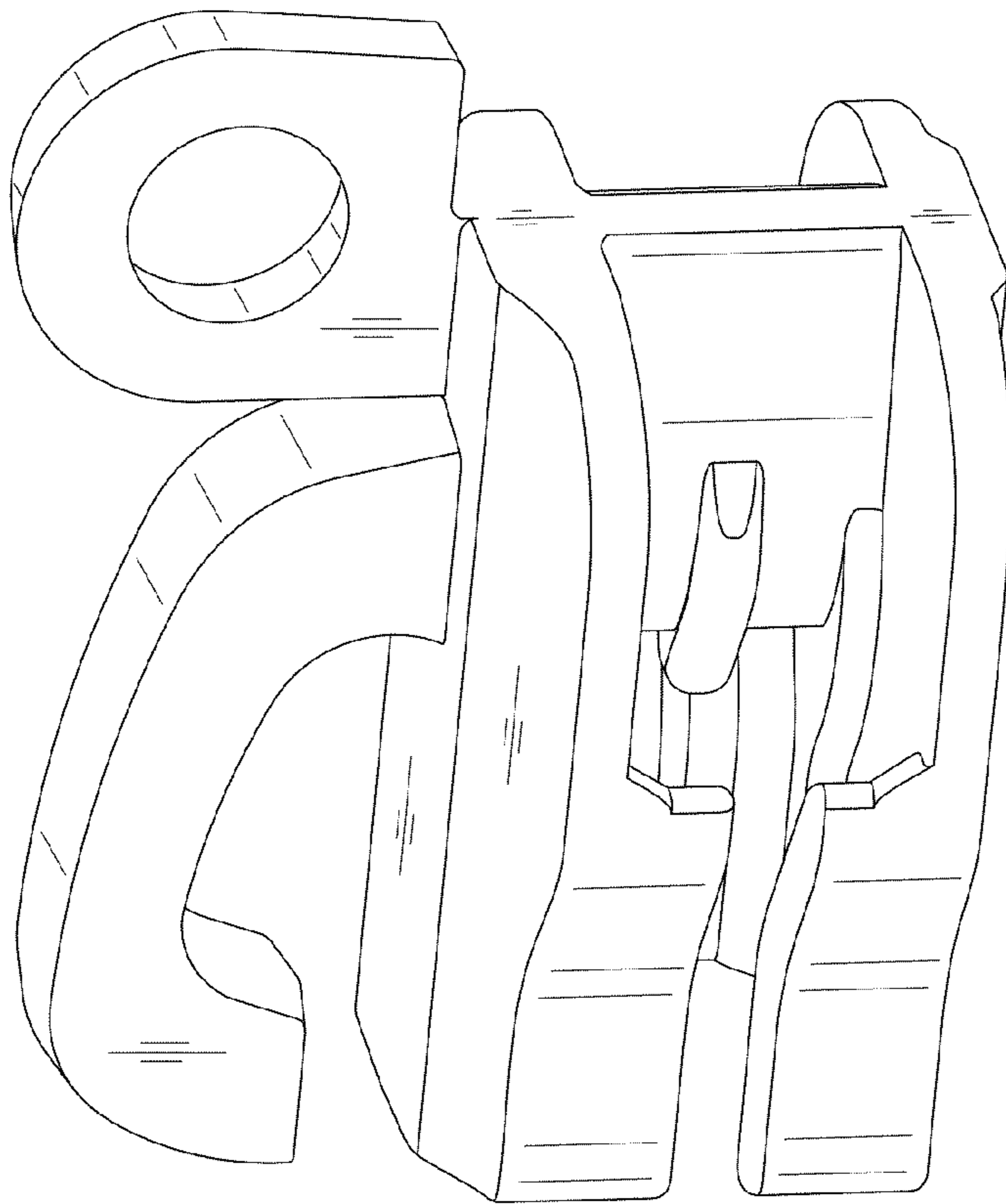


Fig. 11