



US00D651128S

(12) **United States Design Patent**
Pontaoe

(10) **Patent No.:** **US D651,128 S**
(45) **Date of Patent:** **** Dec. 27, 2011**

(54) **ZIPPER PULLER**

(75) Inventor: **John S. Pontaoe**, Chicago, IL (US)

(73) Assignee: **Illinois Tool Works Inc.**, Glenview, IL (US)

(**) Term: **14 Years**

(21) Appl. No.: **29/394,863**

(22) Filed: **Jun. 22, 2011**

(51) **LOC (9) Cl.** **02-07**

(52) **U.S. Cl.** **D11/221**

(58) **Field of Classification Search** D11/200,
D11/201, 221; 24/381–383, 385–387, 414–417,
24/421–422, 427–431, 433; 2/265
See application file for complete search history.

(56) **References Cited**

U.S. PATENT DOCUMENTS

D261,947 S	*	11/1981	Moore	D11/221
D306,987 S	*	4/1990	Dockery	D11/221
D449,251 S	*	10/2001	Chung	D11/221
D558,090 S	*	12/2007	Yang	D11/221
D559,147 S	*	1/2008	Yang	D11/221
D578,932 S	*	10/2008	Yoshiguchi	D11/221

OTHER PUBLICATIONS

Photo of Universal Trip Supply samples.

* cited by examiner

Primary Examiner — Ralf Seifert

(74) *Attorney, Agent, or Firm* — Mark W. Croll; Paul F. Donovan

(57) **CLAIM**

The ornamental design for a zipper puller, as shown and described.

DESCRIPTION

FIG. 1 is a perspective view of the strap adjuster showing the new design;

FIG. 2 is a top view thereof;

FIG. 3 is a bottom view thereof;

FIG. 4 is a left side view thereof;

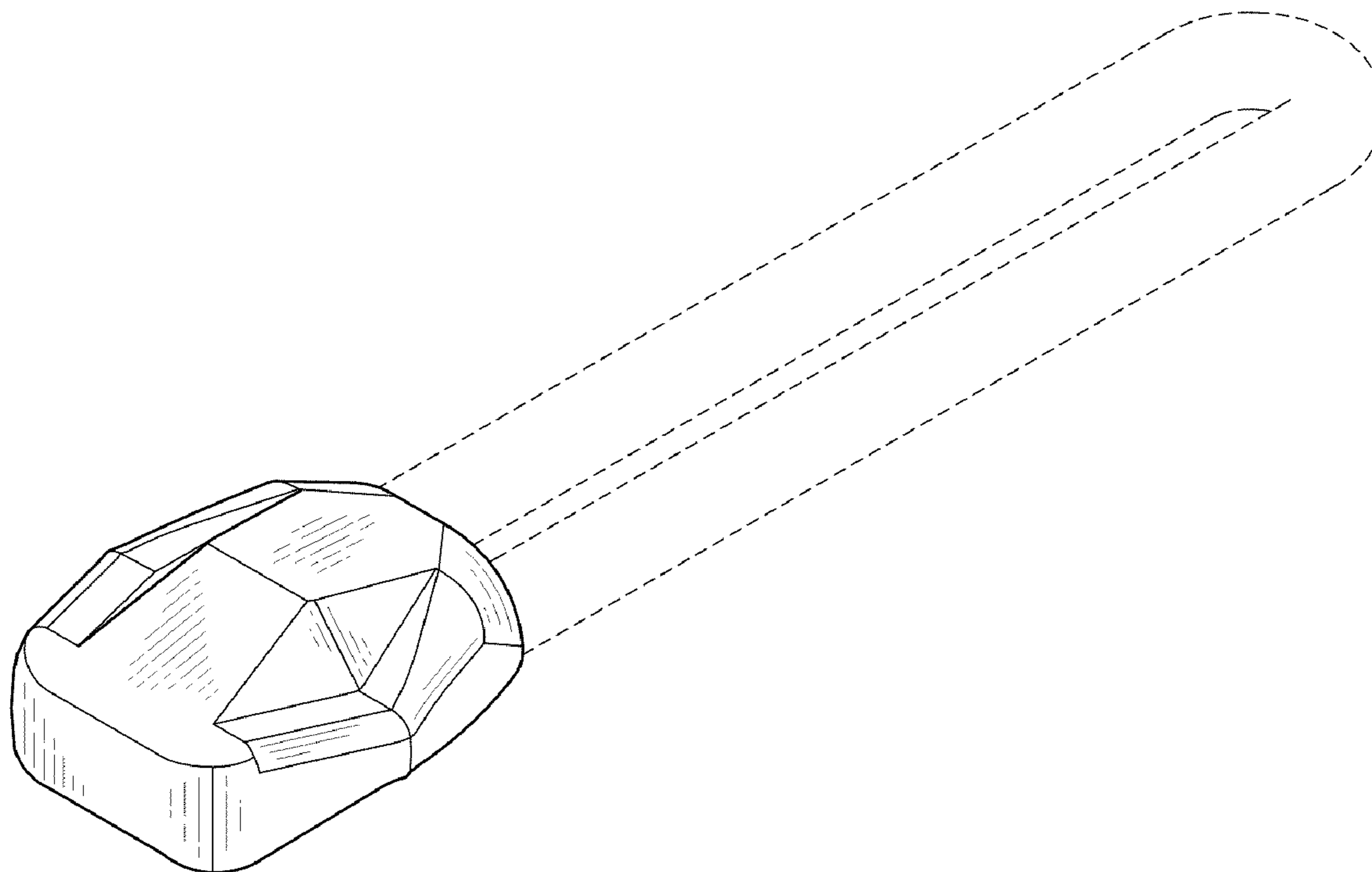
FIG. 5 is a right side view thereof;

FIG. 6 is a back end view thereof; and,

FIG. 7 is a front end view thereof.

The broken line portions of the disclosure are for illustrative purposes only and form no part of the claimed design.

1 Claim, 4 Drawing Sheets



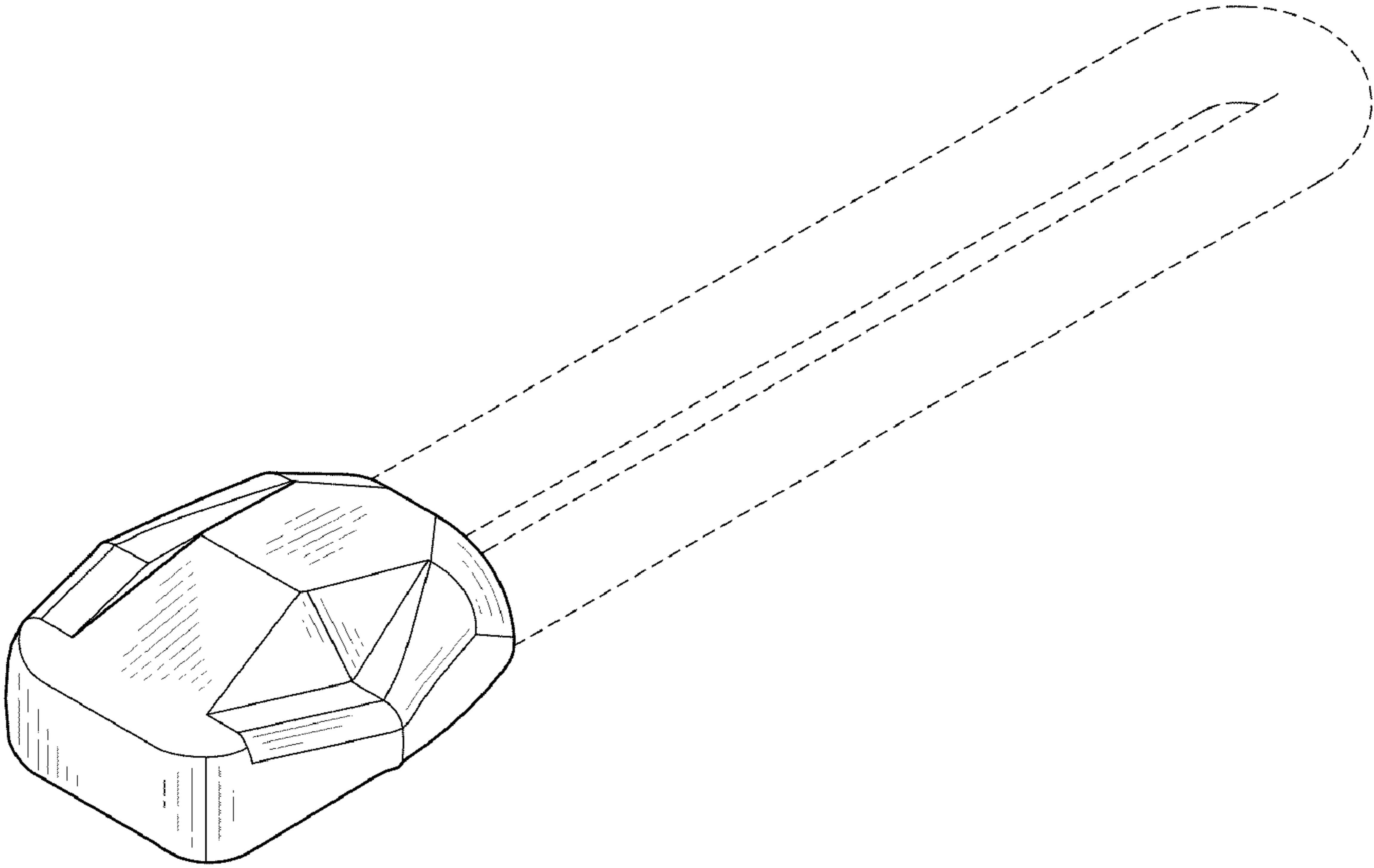


FIG. 1

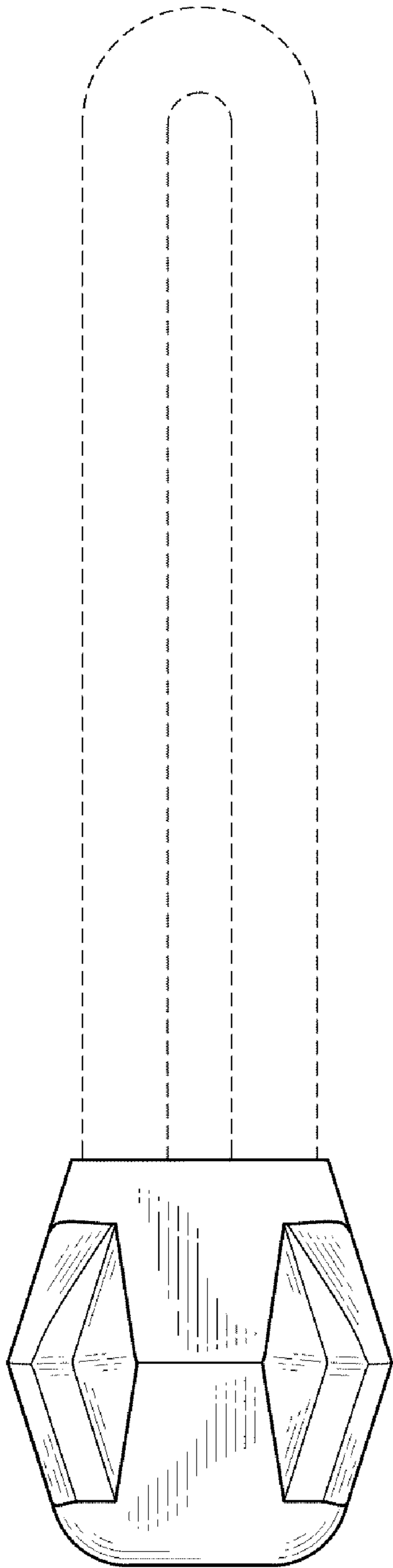


FIG. 2

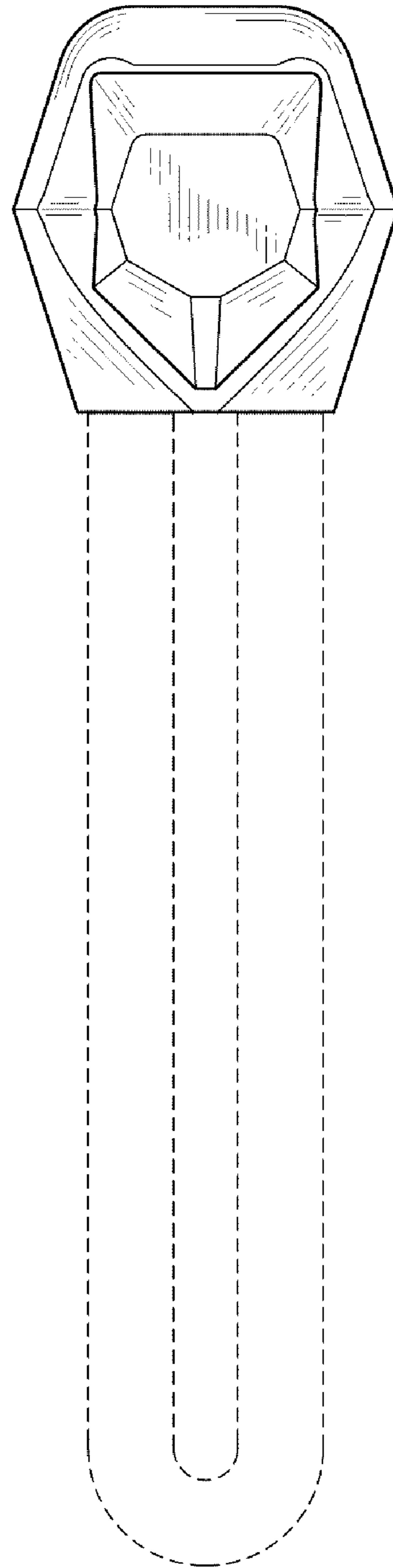


FIG. 3

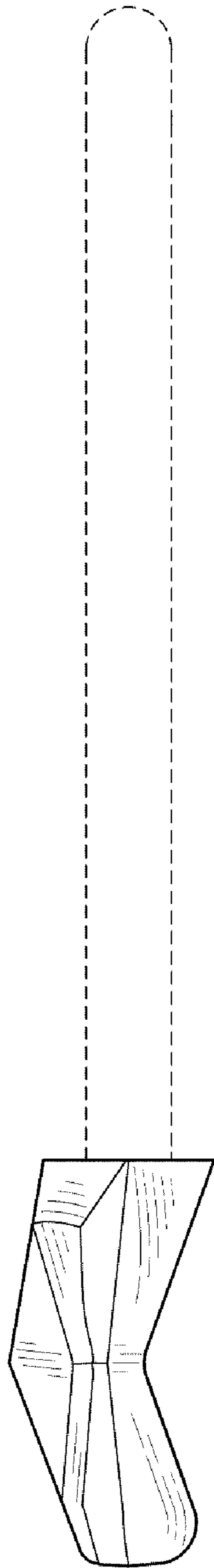


FIG. 4

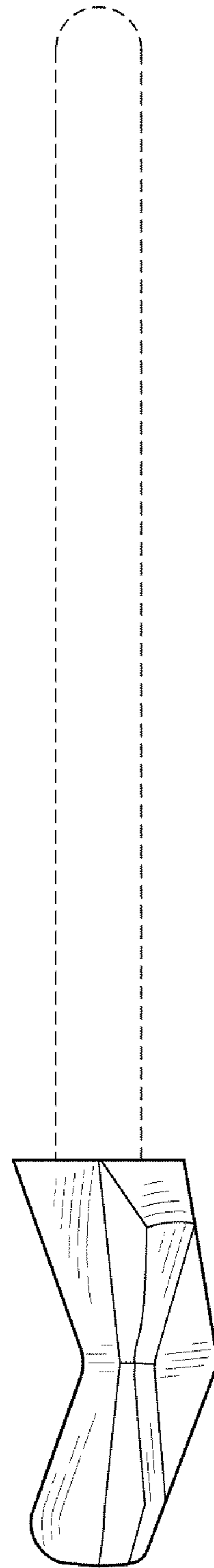


FIG. 5

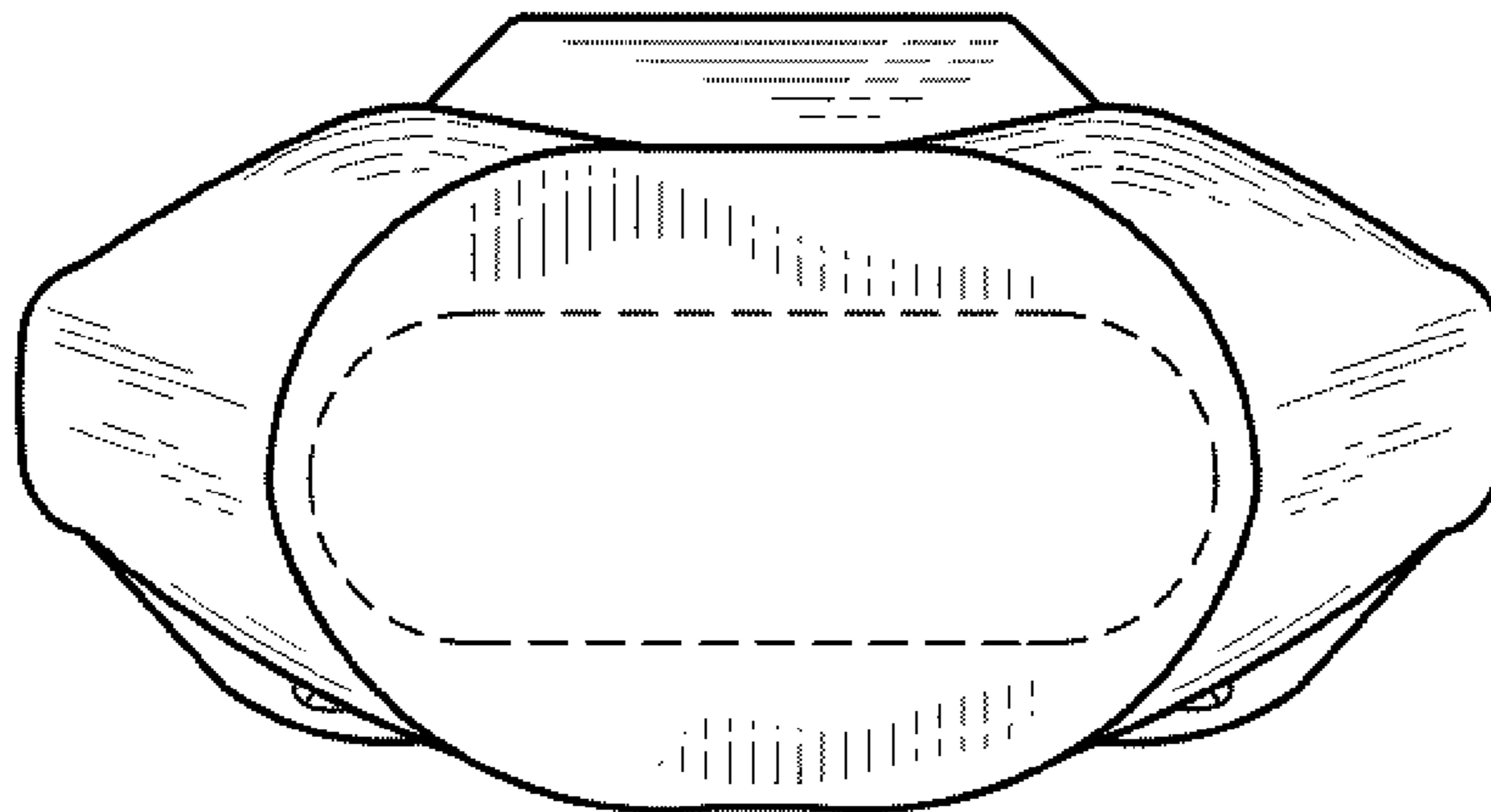


FIG. 6

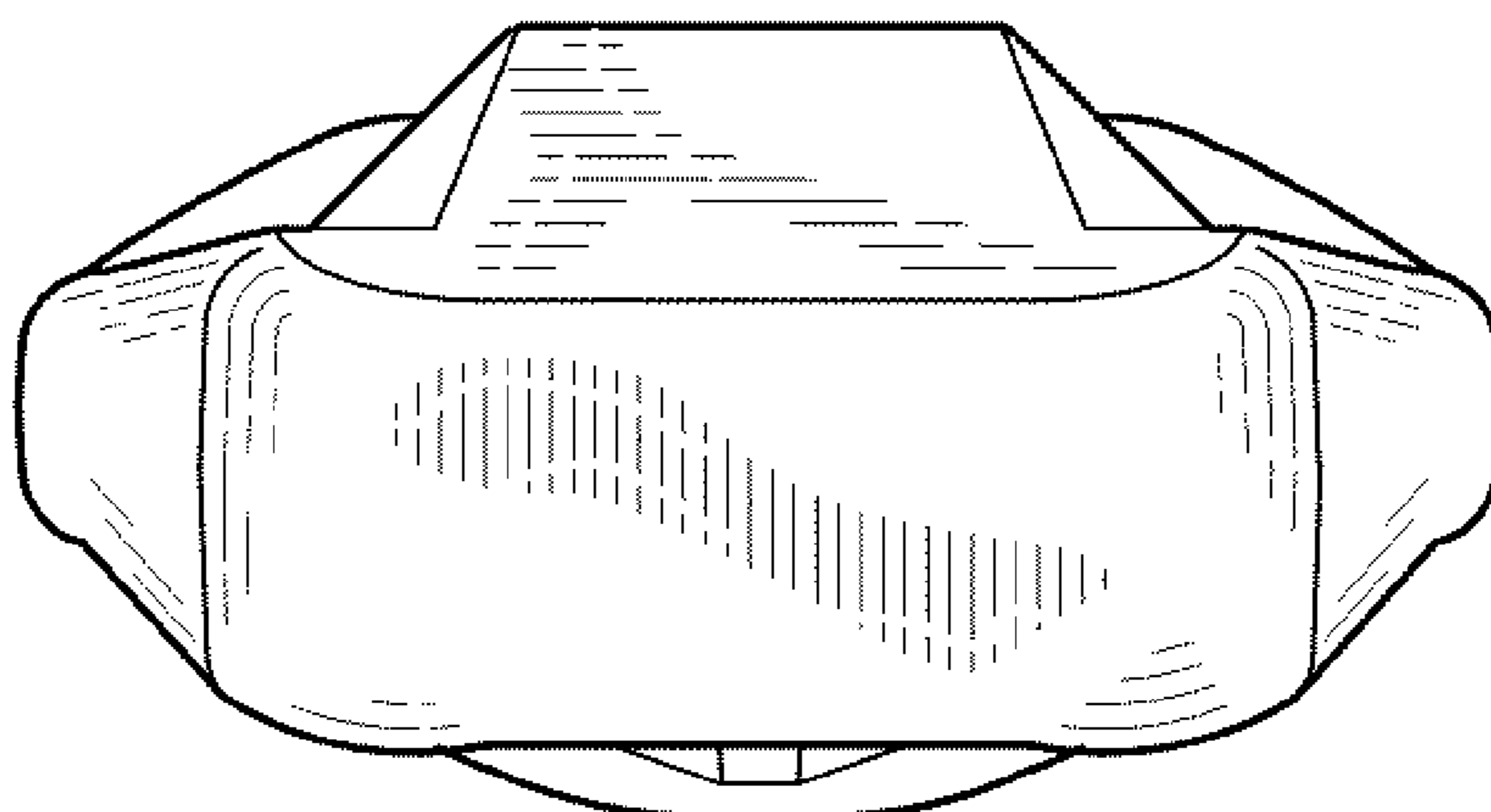


FIG. 7