



US00D651126S

(12) **United States Design Patent**  
**Pontaoe et al.**

(10) **Patent No.:** **US D651,126 S**

(45) **Date of Patent:** **\*\* Dec. 27, 2011**

(54) **ZIPPER PULLER**

(75) Inventors: **John S. Pontaoe**, Chicago, IL (US);  
**David A. Shereyk**, Homewood, IL (US)

(73) Assignee: **Illinois Tool Works Inc.**, Glenview, IL (US)

(\*\*) Term: **14 Years**

(21) Appl. No.: **29/393,402**

(22) Filed: **Jun. 3, 2011**

(51) **LOC (9) Cl.** ..... **02-07**

(52) **U.S. Cl.** ..... **D11/221**

(58) **Field of Classification Search** ..... D11/200,  
D11/201, 221; 24/381-383, 385-387, 414-417,  
24/421-422, 427-431, 433; 2/265  
See application file for complete search history.

(56) **References Cited**

**U.S. PATENT DOCUMENTS**

D436,556 S *	1/2001	Pontaoe	.....	D11/221
D483,295 S *	12/2003	Ritter	.....	D11/221
D495,623 S *	9/2004	Nordstrom et al.	.....	D11/221
D559,147 S *	1/2008	Yang	.....	D11/221
D606,455 S *	12/2009	Baron	.....	D11/221
D643,335 S *	8/2011	Pontaoe	.....	D11/221
D643,776 S *	8/2011	Keyaki et al.	.....	D11/221

**OTHER PUBLICATIONS**

Photo of Universal Trim Supply Co. Samples.

\* cited by examiner

*Primary Examiner* — Ralf Seifert

(74) *Attorney, Agent, or Firm* — Mark W. Croll; Paul F. Donovan

(57) **CLAIM**

The ornamental design for a zipper puller, as shown and described.

**DESCRIPTION**

FIG. 1 is a perspective view of a zipper puller showing the new design;

FIG. 2 is a top view thereof;

FIG. 3 is a bottom view thereof;

FIG. 4 is a right side view thereof;

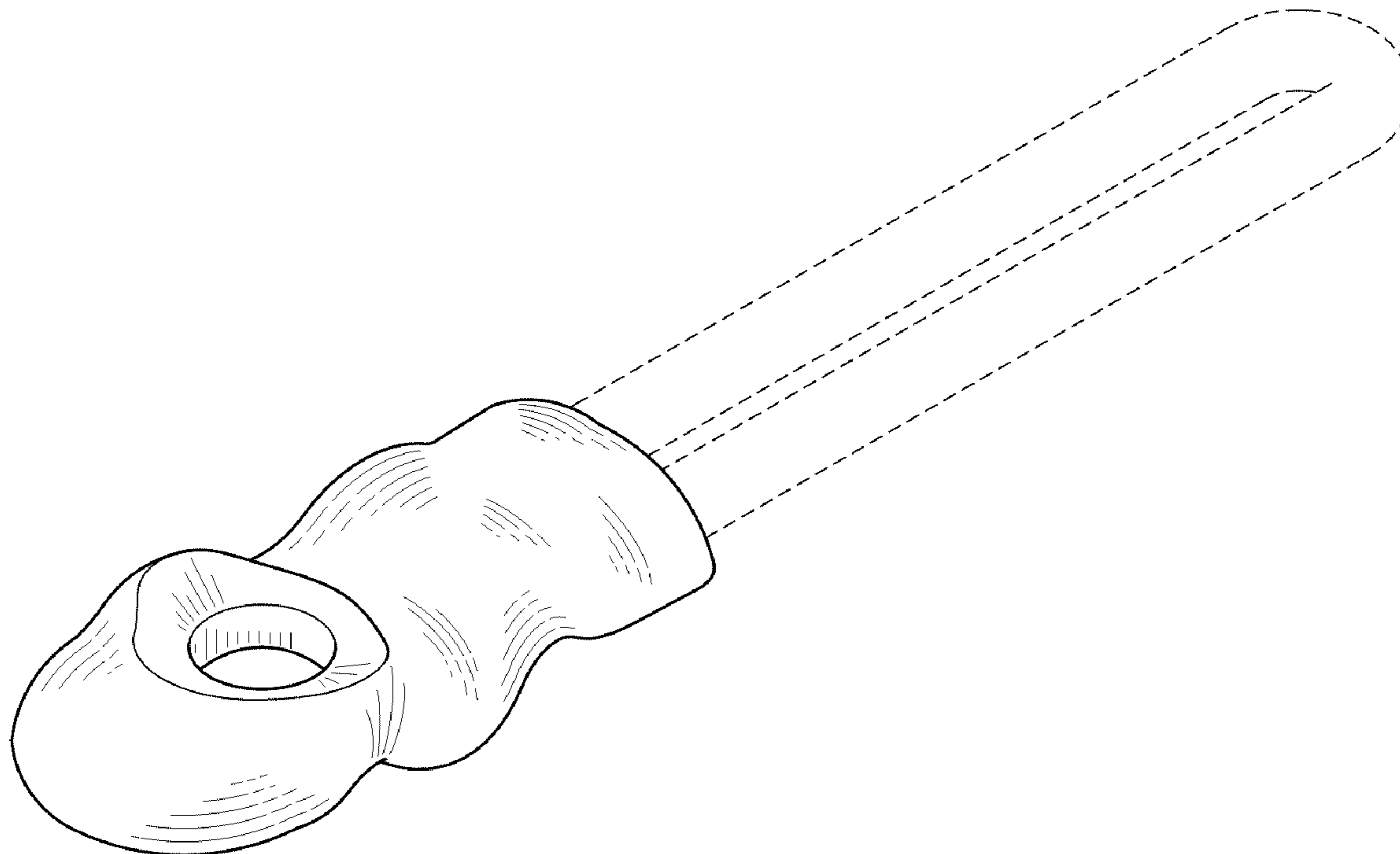
FIG. 5 is a left side view thereof;

FIG. 6 is a front end view thereof; and,

FIG. 7 is a back end view thereof.

The broken line portions of the disclosure are for illustrative purposes only and form no part of the claimed design.

**1 Claim, 4 Drawing Sheets**



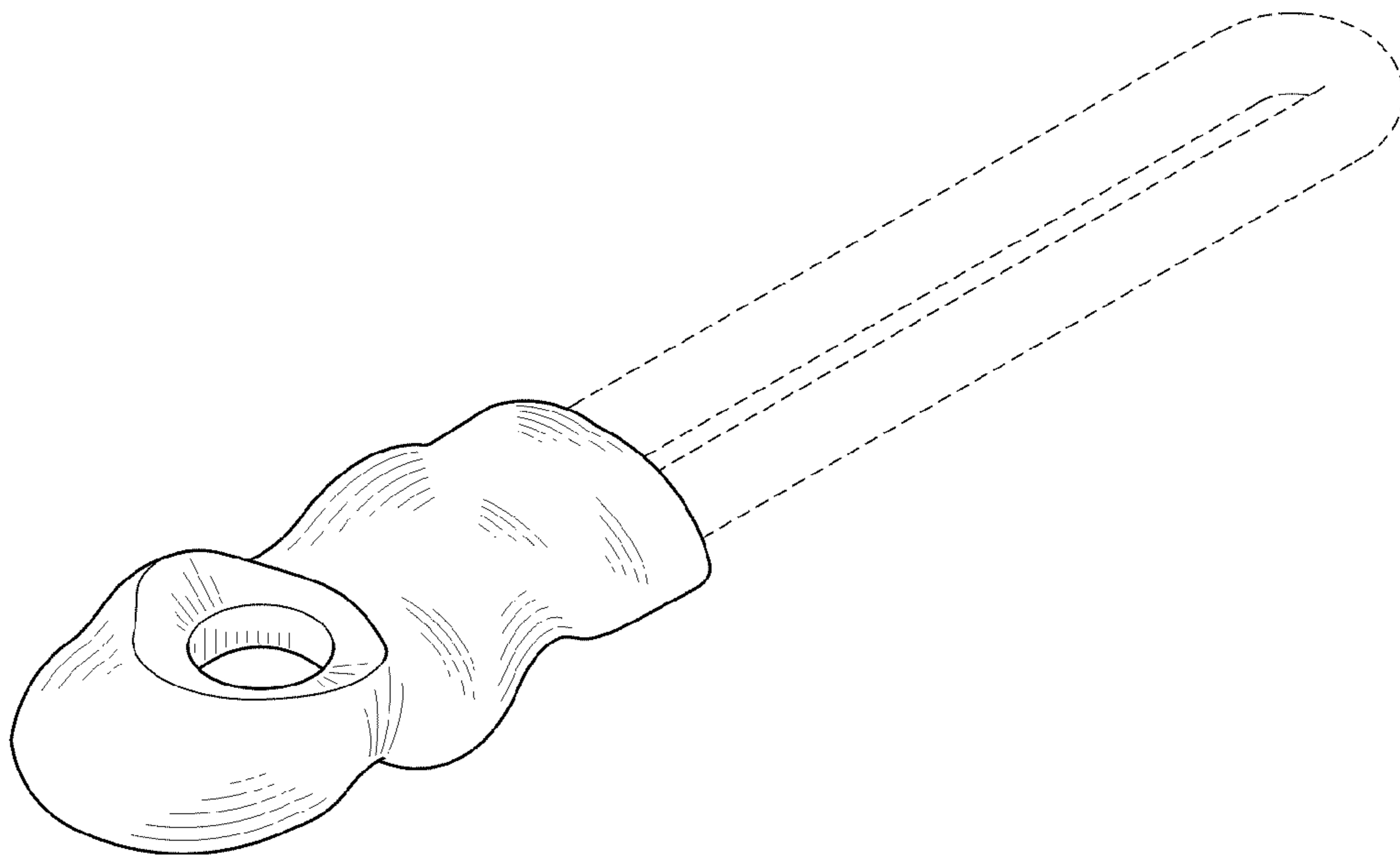


FIG. 1

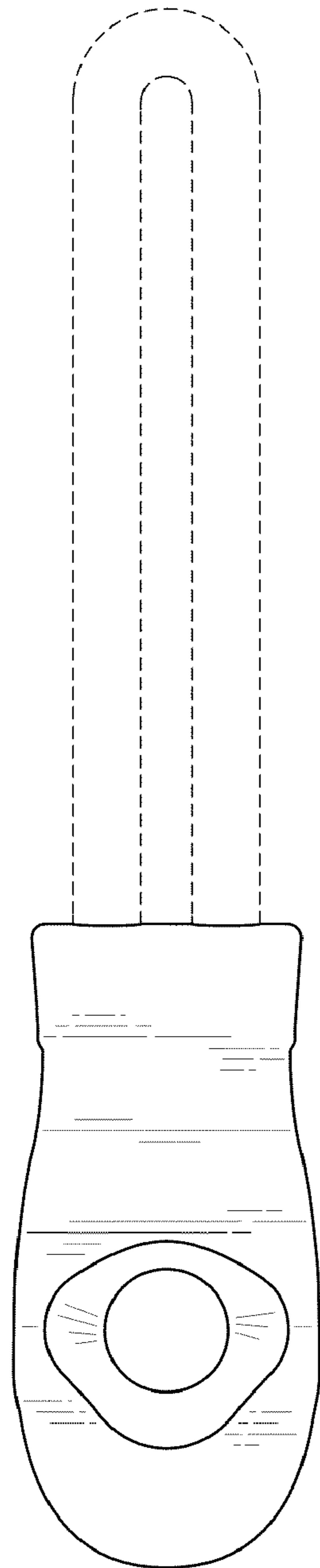


FIG. 2

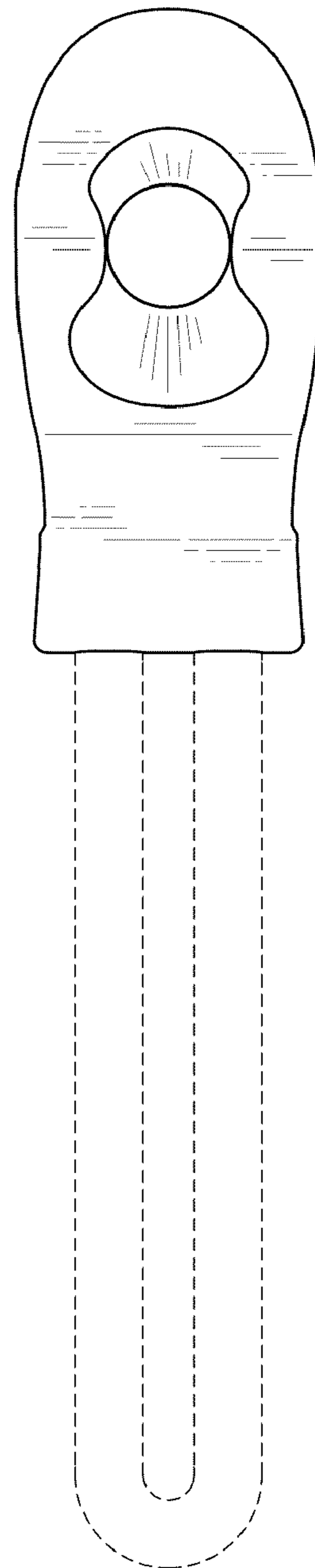


FIG. 3

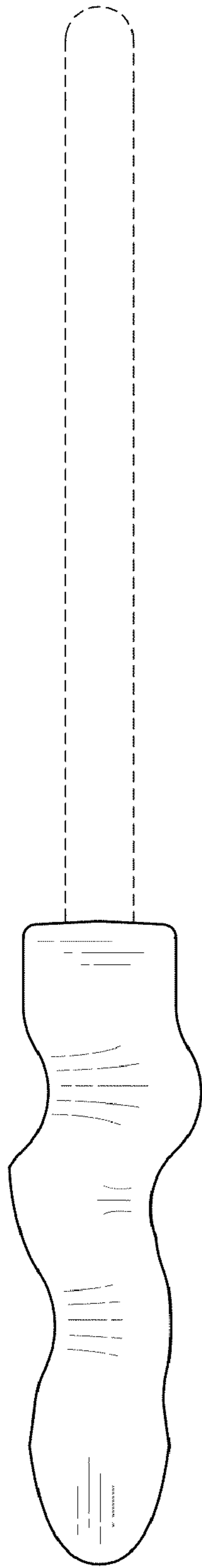


FIG. 4

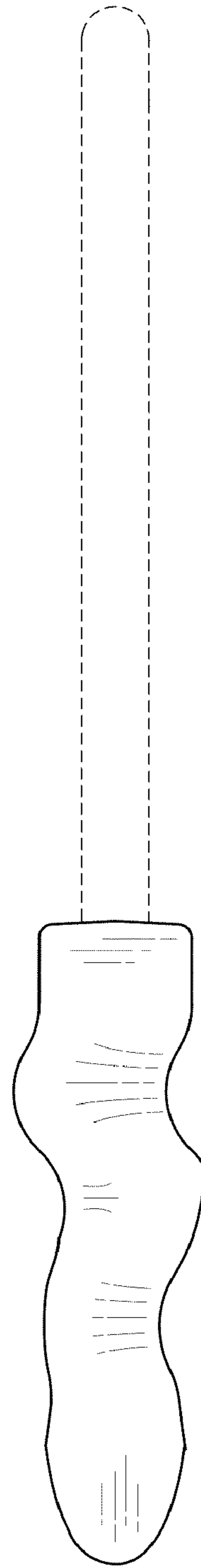


FIG. 5

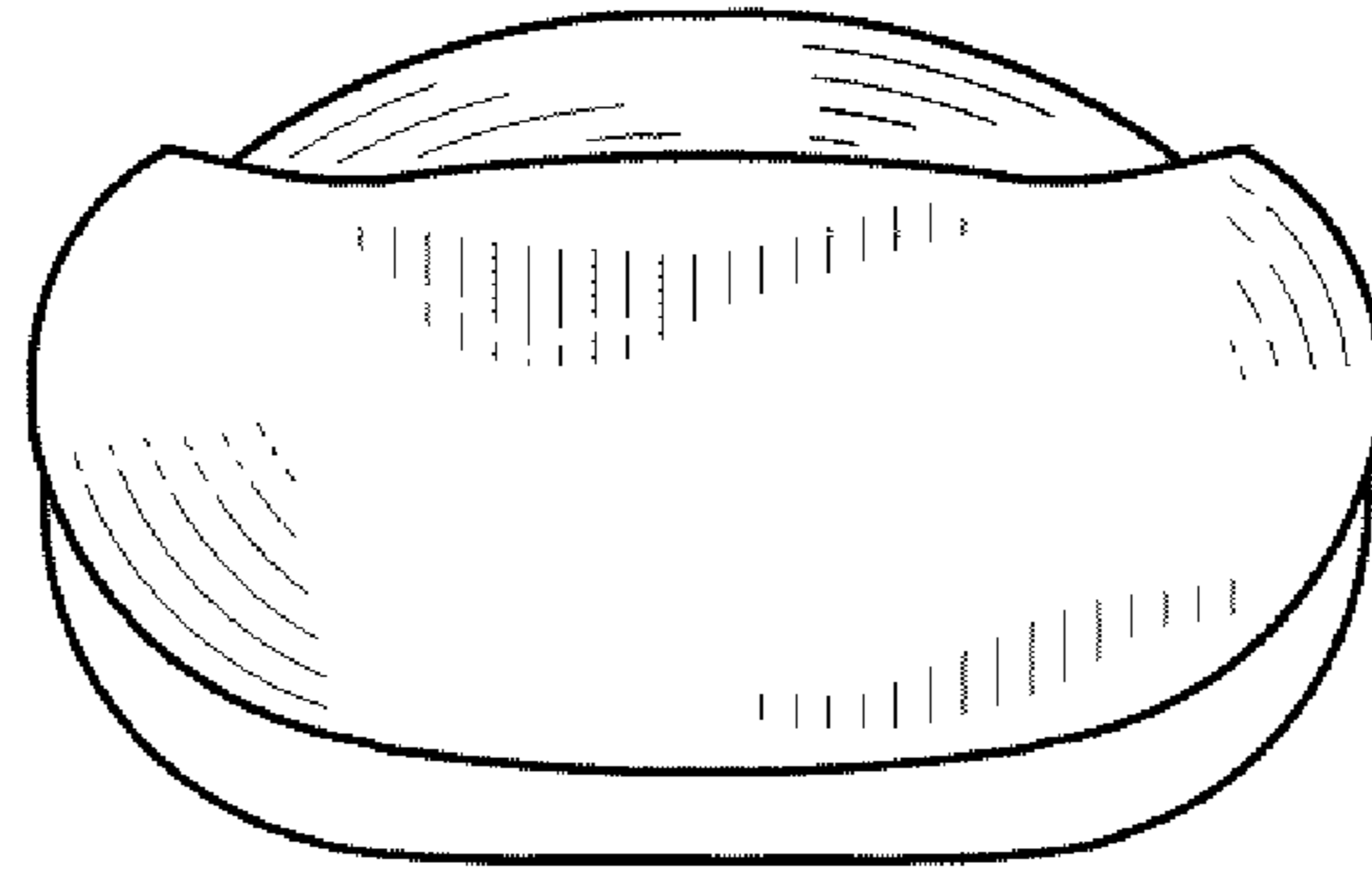


FIG. 6

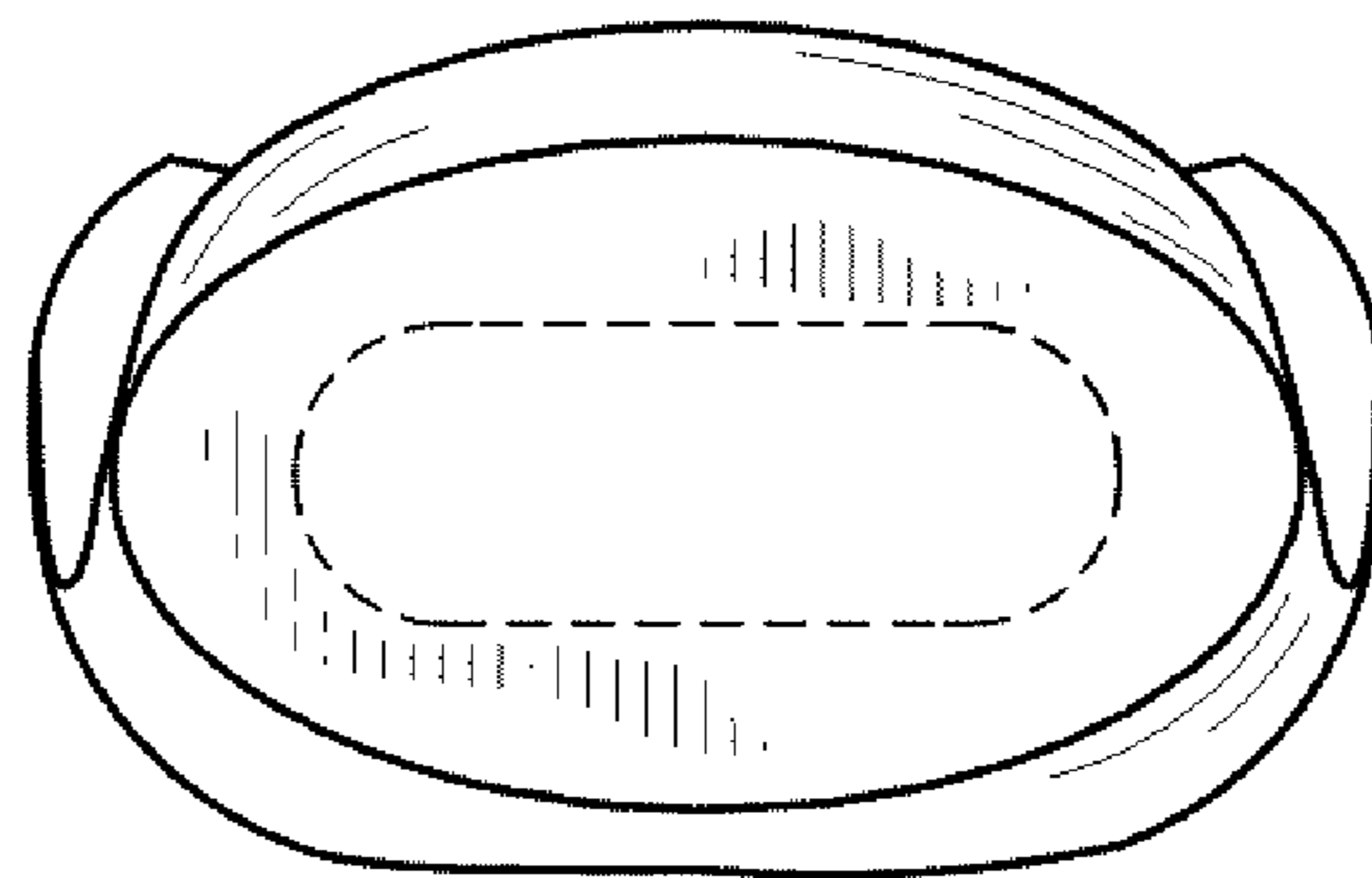


FIG. 7