



US00D651125S

(12) **United States Design Patent**
Pontaoe et al.

(10) **Patent No.:** **US D651,125 S**
(45) **Date of Patent:** **** Dec. 27, 2011**

(54) **ZIPPER PULLER**

(75) Inventors: **John S. Pontaoe**, Chicago, IL (US);
David A. Shereyk, Homewood, IL (US)

(73) Assignee: **Illinois Tool Works Inc.**, Glenview, IL (US)

(**) Term: **14 Years**

(21) Appl. No.: **29/392,177**

(22) Filed: **May 18, 2011**

(51) **LOC (9) Cl.** **02-07**

(52) **U.S. Cl.** **D11/221**

(58) **Field of Classification Search** D11/200,
D11/201, 221; 24/381-383, 385-387, 414-417,
24/421-422, 427-431, 433; 2/265
See application file for complete search history.

(56) **References Cited**

U.S. PATENT DOCUMENTS

D324,354 S *	3/1992	Oya	D11/221
D397,959 S *	9/1998	Terasaki et al.	D11/221
D482,987 S *	12/2003	Ritter	D11/221
D483,295 S *	12/2003	Ritter	D11/221
D495,623 S *	9/2004	Nordstrom et al.	D11/221
D498,176 S *	11/2004	Ichikawa et al.	D11/221
D512,340 S *	12/2005	Keyaki et al.	D11/221
D519,057 S *	4/2006	Gracer	D11/221
D527,311 S *	8/2006	Yamagishi et al.	D11/221

D555,538 S *	11/2007	Lin	D11/221
D556,087 S *	11/2007	Lin	D11/221
D606,455 S *	12/2009	Baron	D11/221
D609,134 S *	2/2010	Lobel	D11/221
D643,335 S *	8/2011	Pontaoe	D11/221

OTHER PUBLICATIONS

Kitco Samples.
UTS—Sample Board.

* cited by examiner

Primary Examiner — Ralf Seifert

(74) *Attorney, Agent, or Firm* — Mark W. Croll; Paul F. Donovan

(57) **CLAIM**

The ornamental design for a zipper puller, as shown and described.

DESCRIPTION

FIG. 1 is a perspective view of a zipper puller showing the new design;

FIG. 2 is a bottom view thereof;

FIG. 3 is a top view thereof;

FIG. 4 is a right side view thereof;

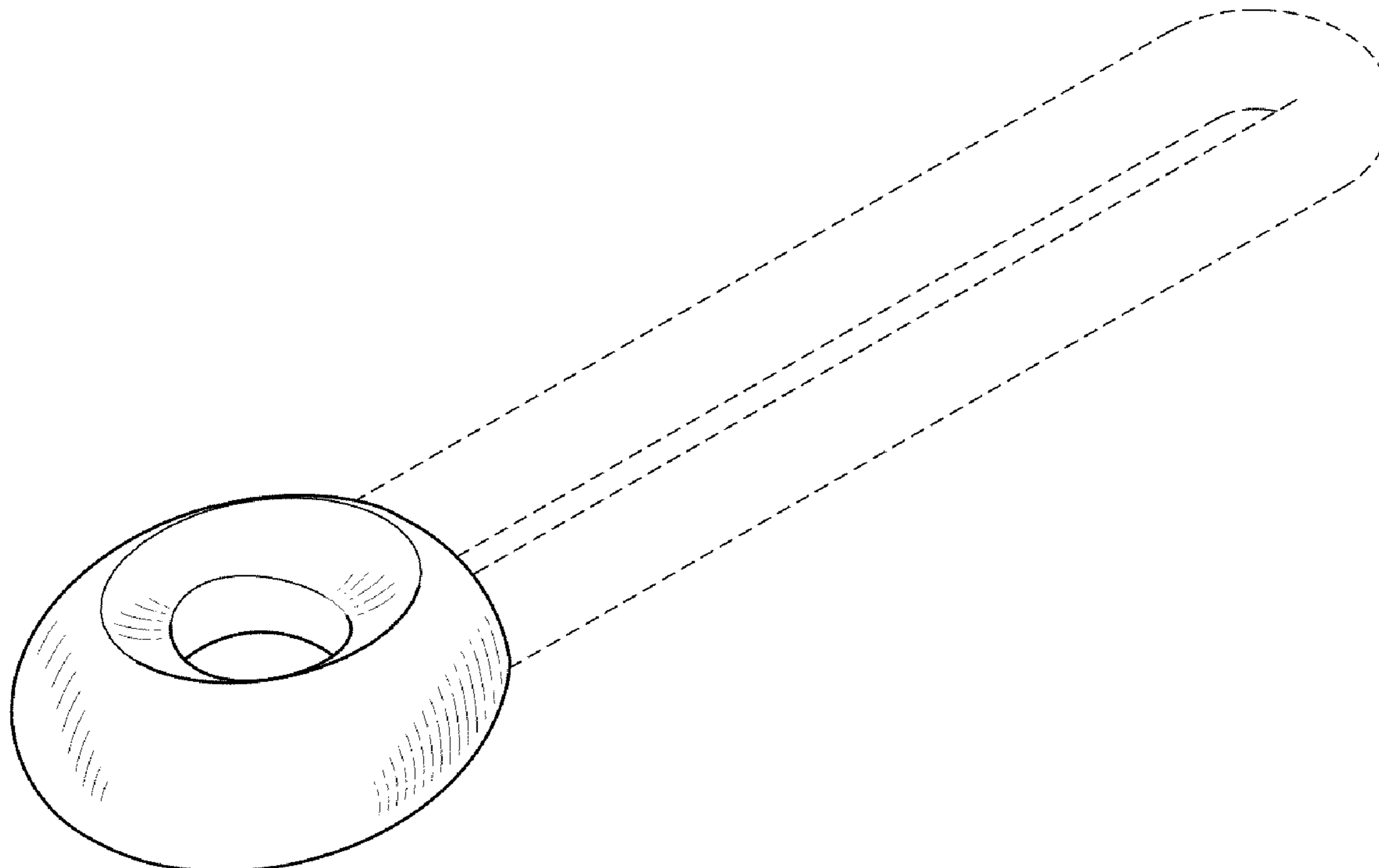
FIG. 5 is a left side view thereof;

FIG. 6 is a front end view thereof; and,

FIG. 7 is a back end view thereof.

The broken line portions of the disclosure are for illustrative purposes only and form no part of the claimed design.

1 Claim, 4 Drawing Sheets



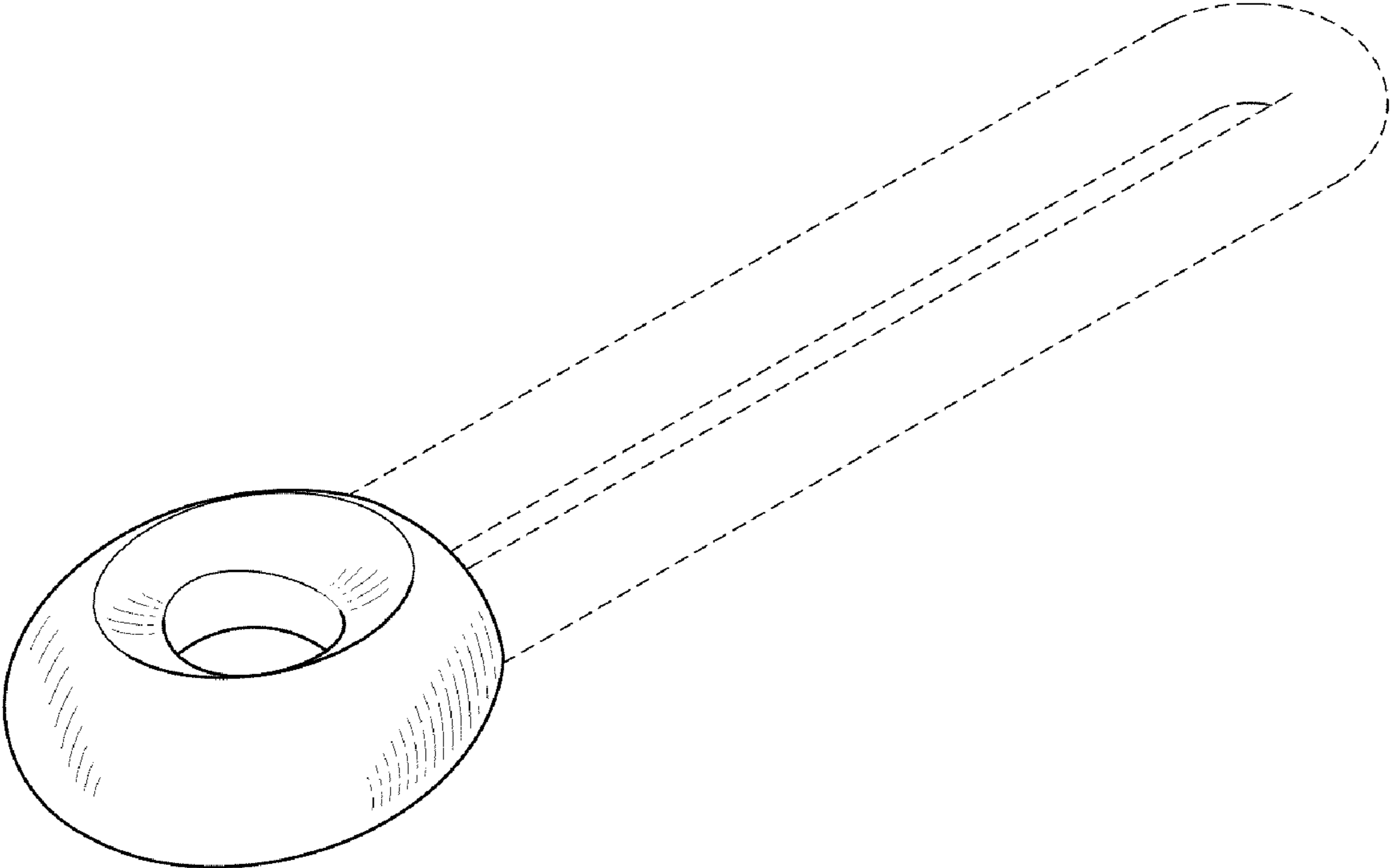


FIG. 1

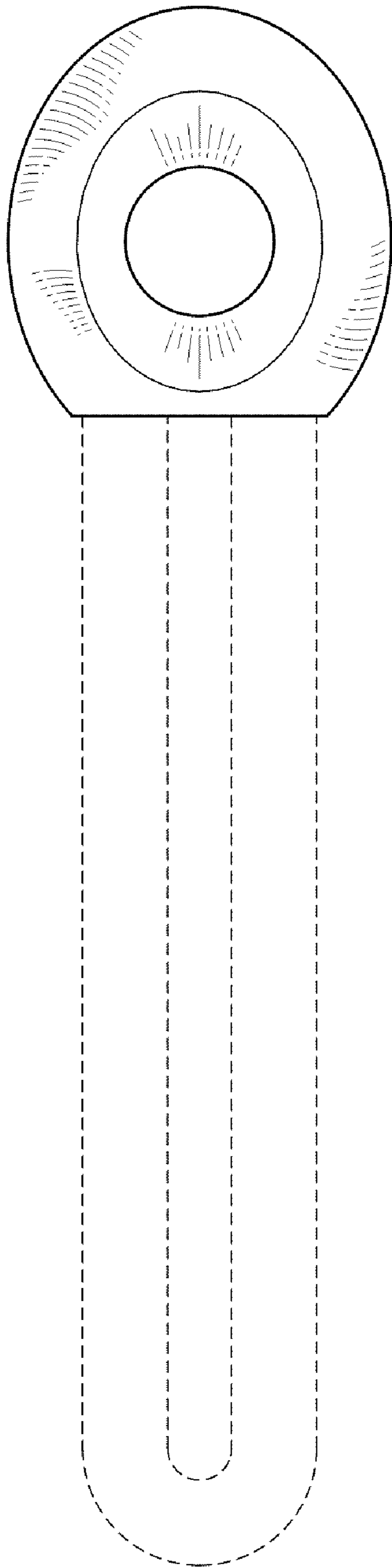


FIG. 2

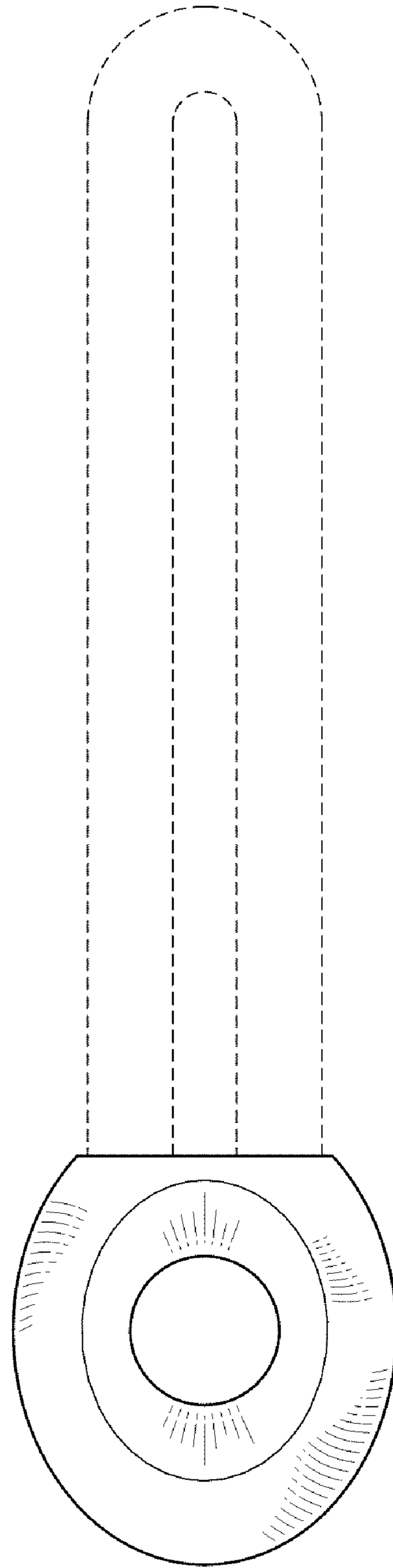


FIG. 3

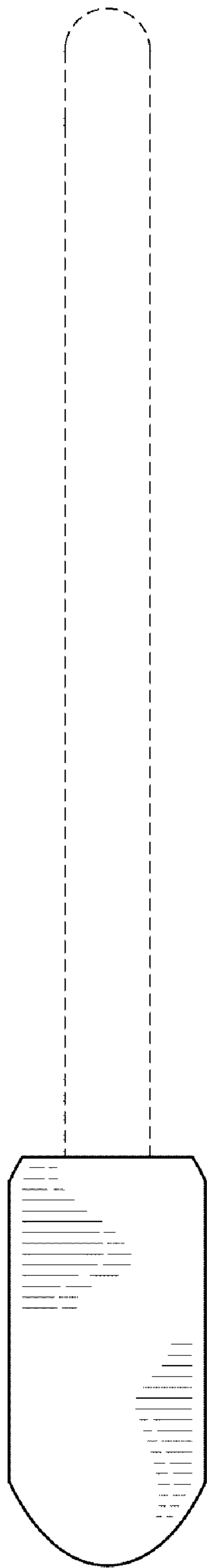


FIG. 4

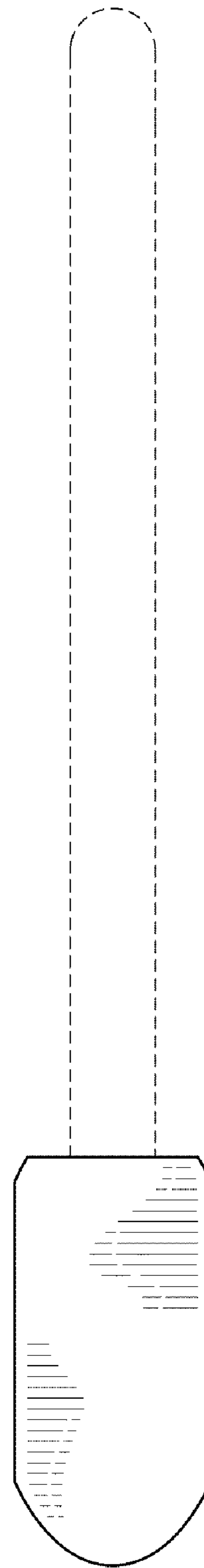


FIG. 5

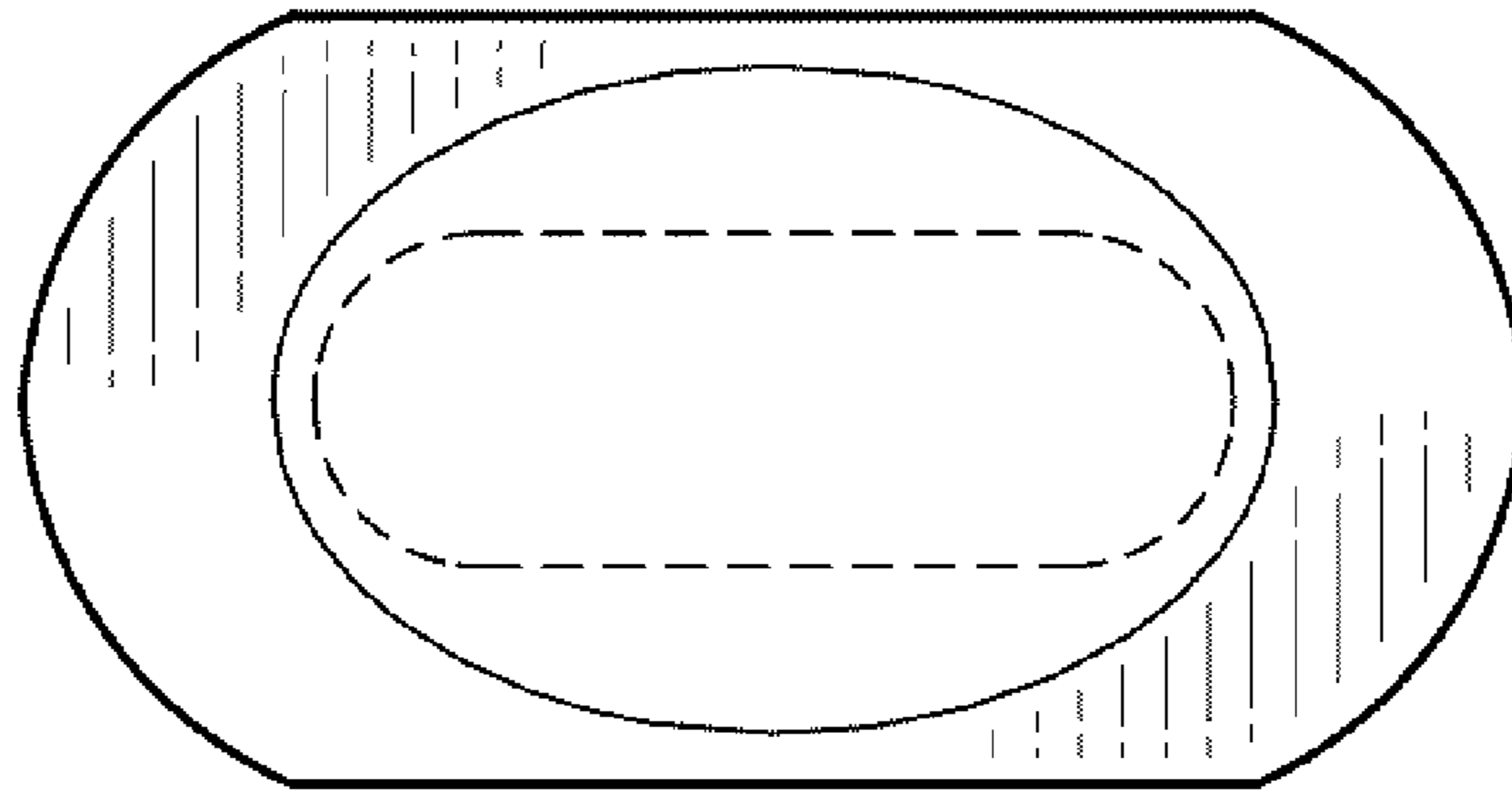


FIG. 6

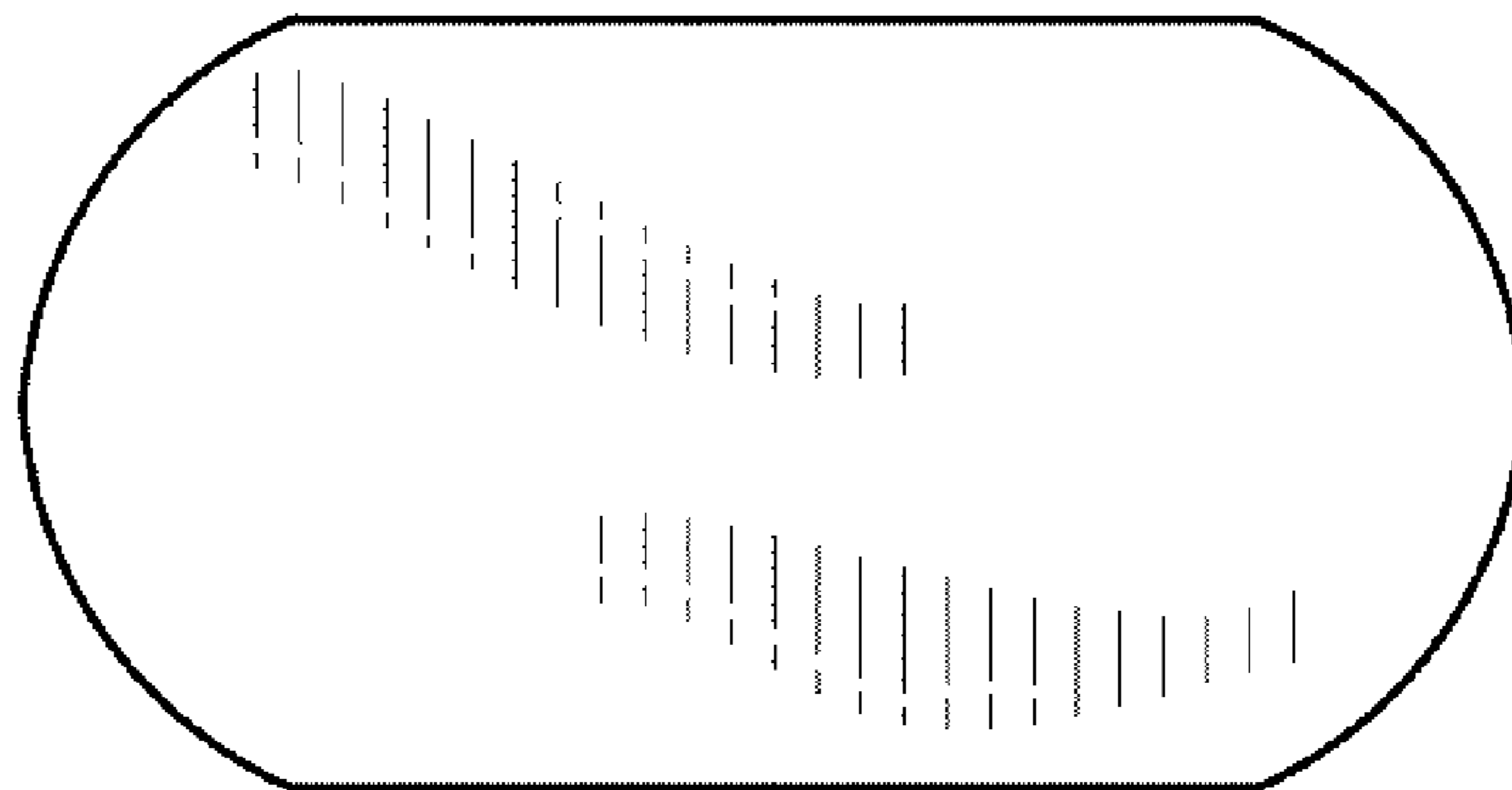


FIG. 7