

US00D651122S

(12) **United States Design Patent**
Vincent et al.

(10) **Patent No.:** **US D651,122 S**
(45) **Date of Patent:** **** Dec. 27, 2011**

(54) **RATCHET TYPE BUCKLE**

(75) Inventors: **Stephen Vincent**, Wendake (CA); **Rino Bourgoïn**, Quebec (CA); **Gaetan Legare**, Wendake (CA)

(73) Assignee: **GV Snowshoes**, Wendake (CA)

(**) Term: **14 Years**

(21) Appl. No.: **29/365,843**

(22) Filed: **Jul. 15, 2010**

(51) **LOC (9) Cl.** **02-07**

(52) **U.S. Cl.** **D11/216**

(58) **Field of Classification Search** D11/1-2,
D11/200-201, 206-210, 214-218; 24/163 R,
24/169-171, 173, 177-179, 191, 194-195,
24/197, 200, 614-616, 625; 240/169-171;
D3/318; 280/808

See application file for complete search history.

(56) **References Cited**

U.S. PATENT DOCUMENTS

D376,771 S *	12/1996	Cheng	D11/216
D380,983 S *	7/1997	Lu	D11/216
6,401,310 B1 *	6/2002	Warner et al.	24/179
6,868,587 B2 *	3/2005	Rard	24/170

* cited by examiner

Primary Examiner — Ralf Seifert

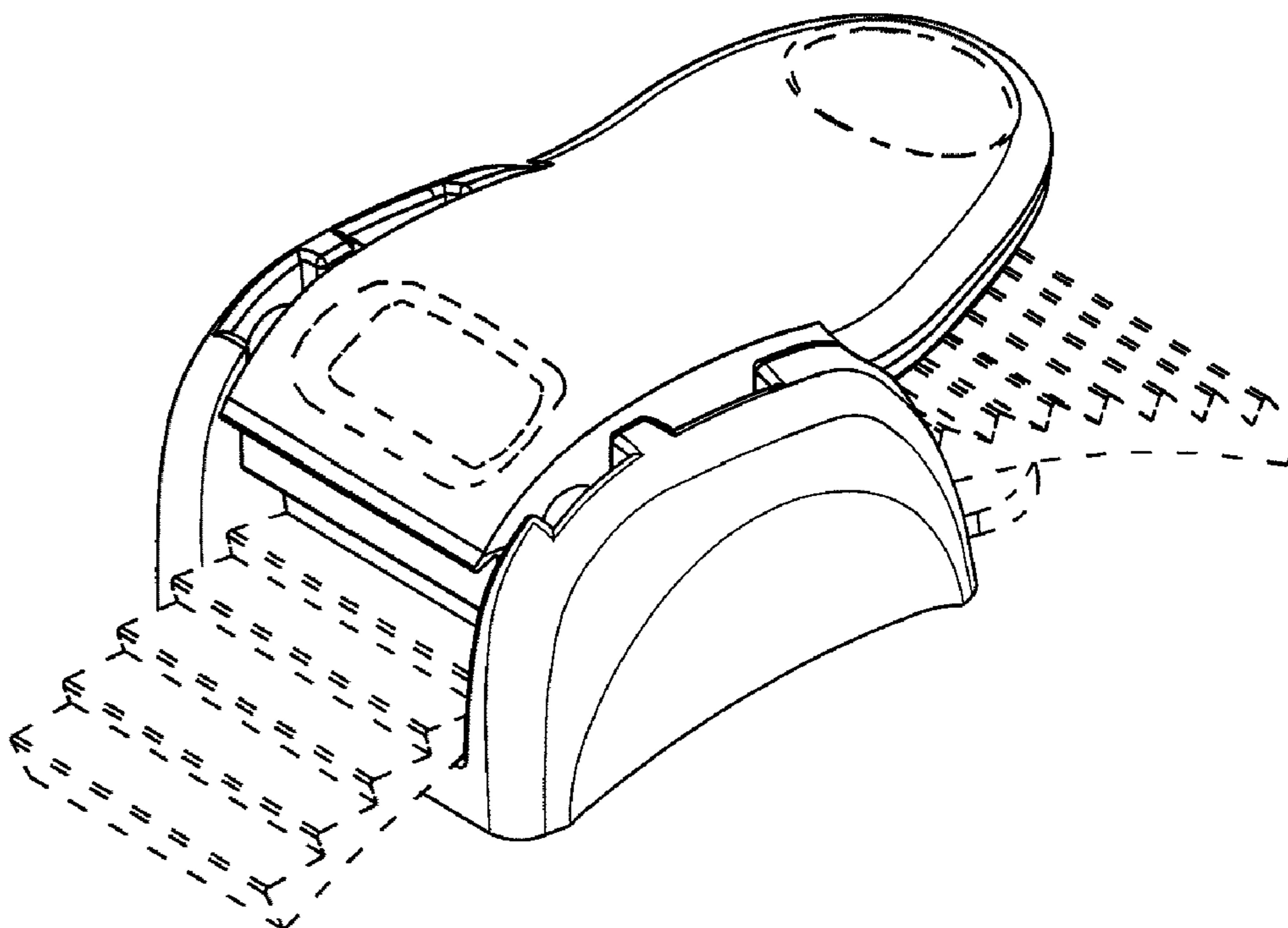
(74) *Attorney, Agent, or Firm* — Alexander Abecassis;
Fasken Martineau DuMoulin LLP

(57) **CLAIM**
The ornamental design for a ratchet type buckle, as shown and described.

DESCRIPTION

FIG. 1 is a front perspective view of a ratchet type buckle showing my new design invention, in a first configuration; FIG. 2 is a rear perspective view thereof; FIG. 3 is a top plan view thereof; FIG. 4 is a bottom plan view thereof; FIG. 5 is a right side elevation view thereof; FIG. 6 is a left side elevation view thereof; FIG. 7 is a rear plan view thereof; FIG. 8 is a front plan view thereof; and FIG. 9 is a bottom perspective view thereof. FIG. 10 is a front perspective view of the ratchet type buckle shown in FIG. 1, in a second configuration; FIG. 11 is a rear perspective view thereof; FIG. 12 is a top plan view thereof; FIG. 13 is a bottom plan view thereof; FIG. 14 is a left side elevation view thereof; FIG. 15 is a right side elevation view thereof; FIG. 16 is a front plan view thereof; FIG. 17 is a rear plan view thereof; and, FIG. 18 is a bottom perspective view thereof. The portions shown in stippled lines do not form part of the design.

1 Claim, 10 Drawing Sheets



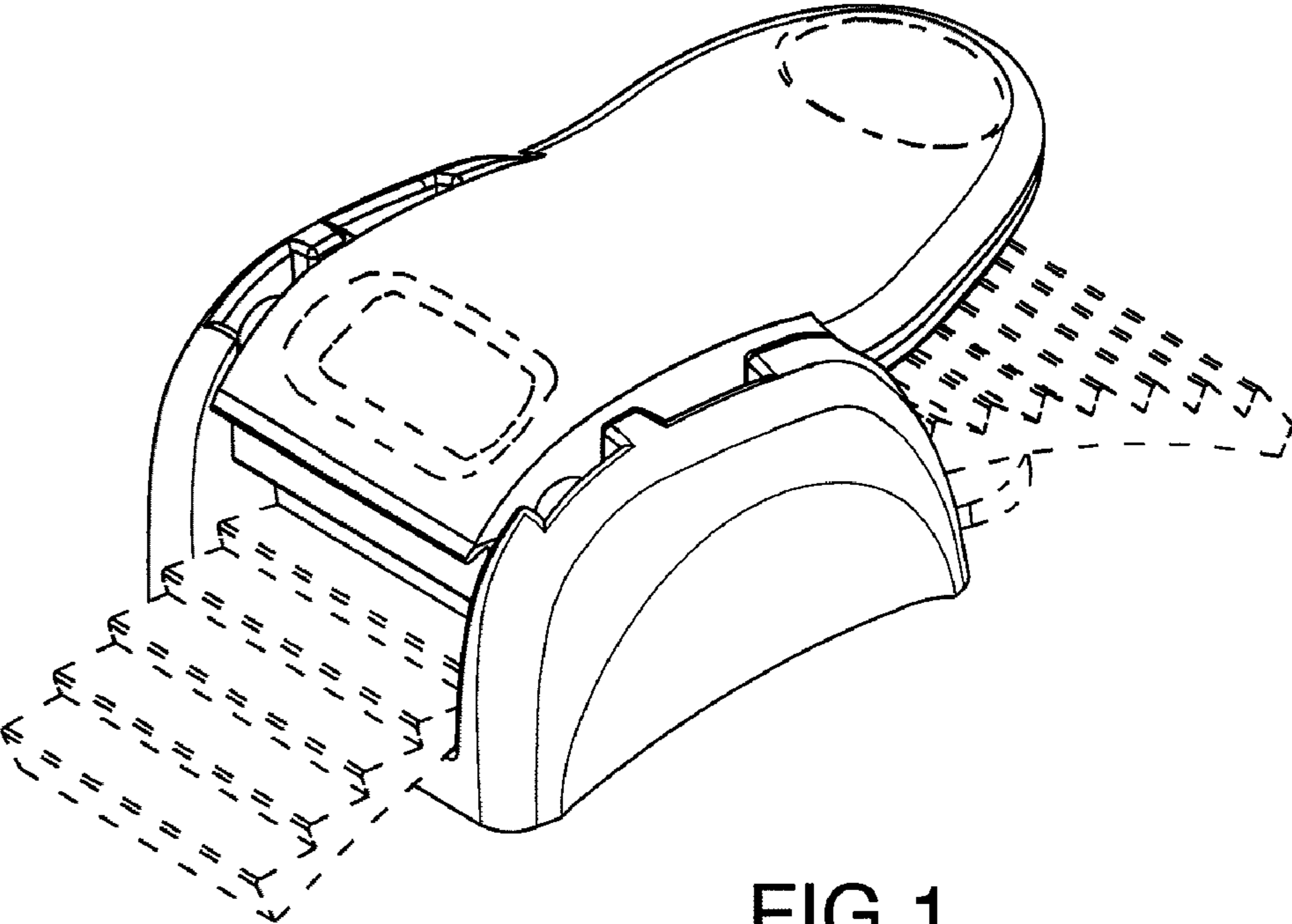


FIG. 1

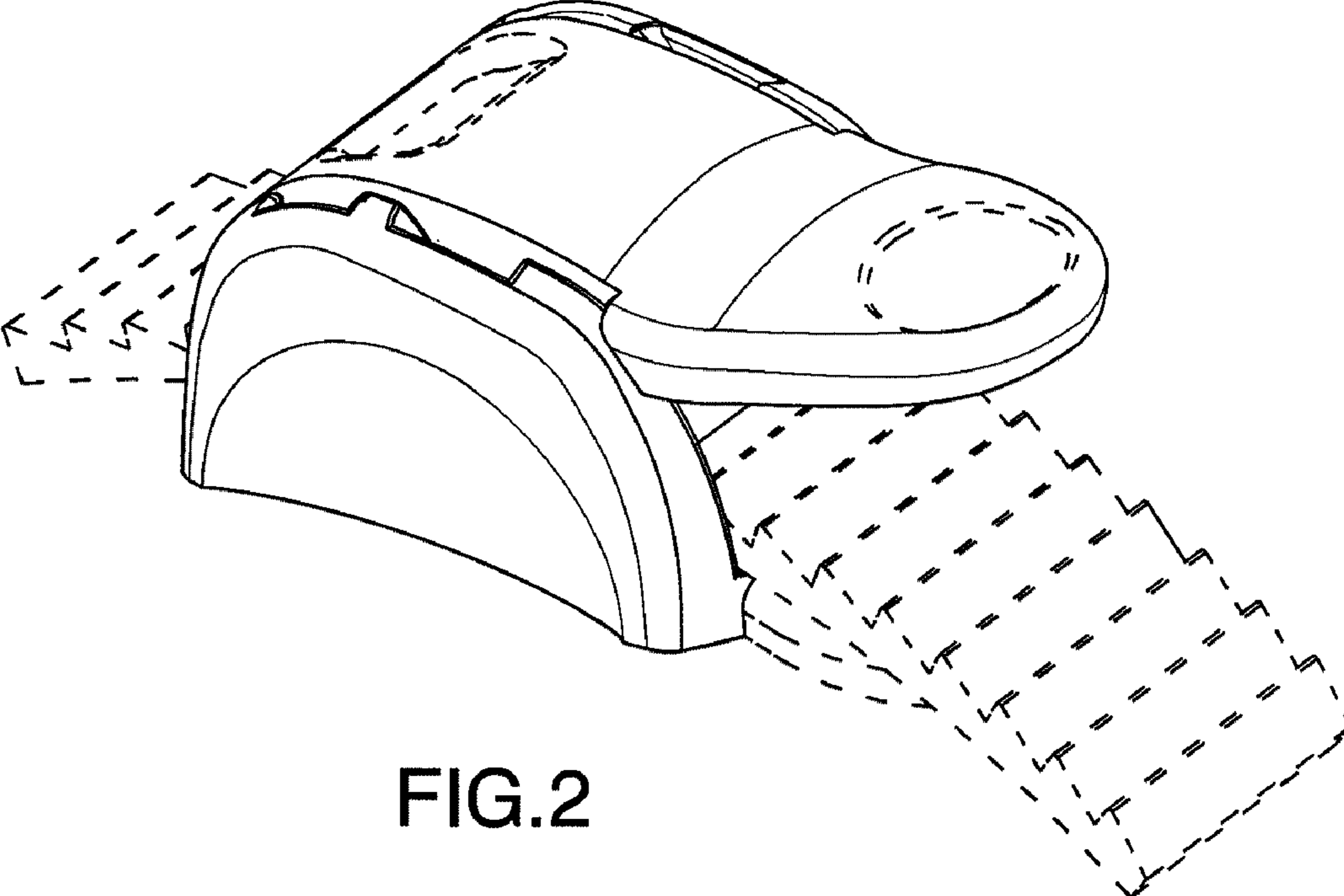


FIG. 2

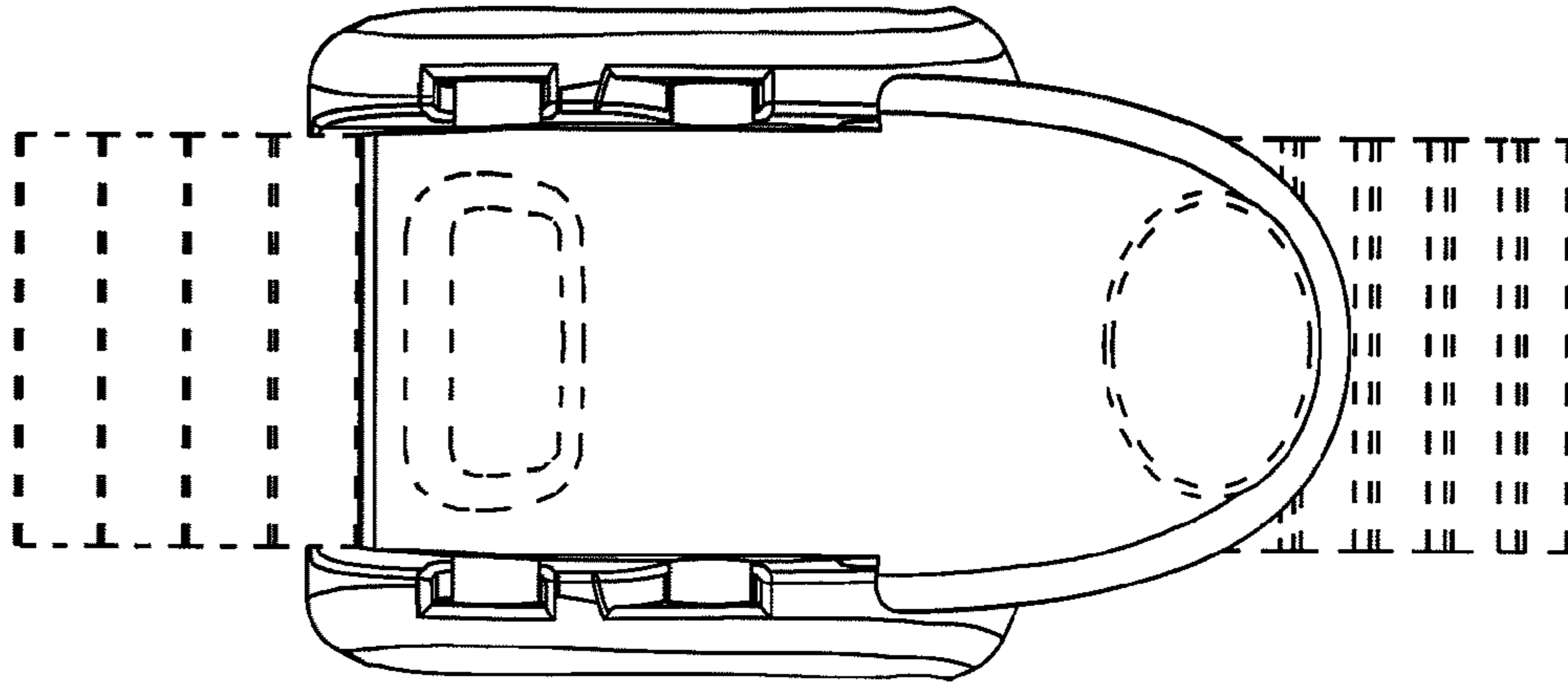


FIG.3

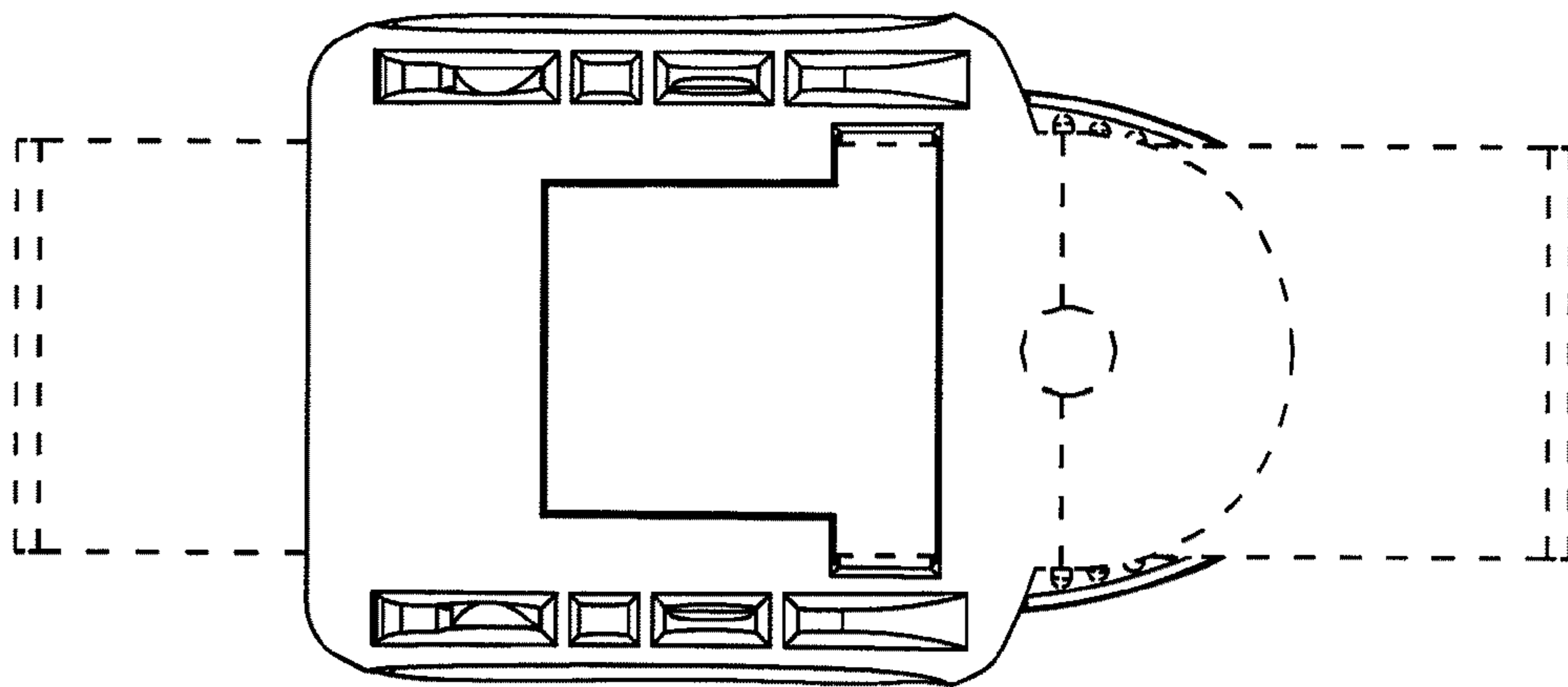


FIG.4

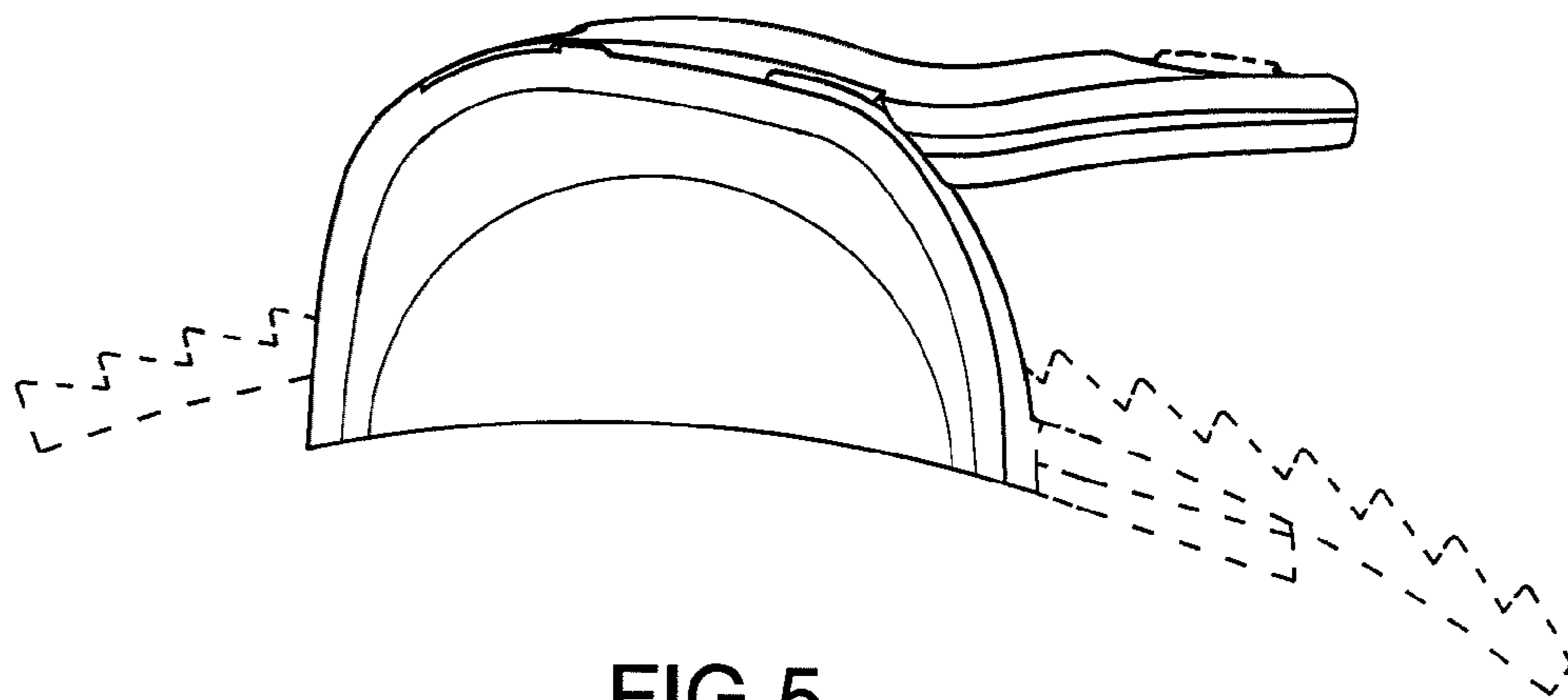


FIG. 5

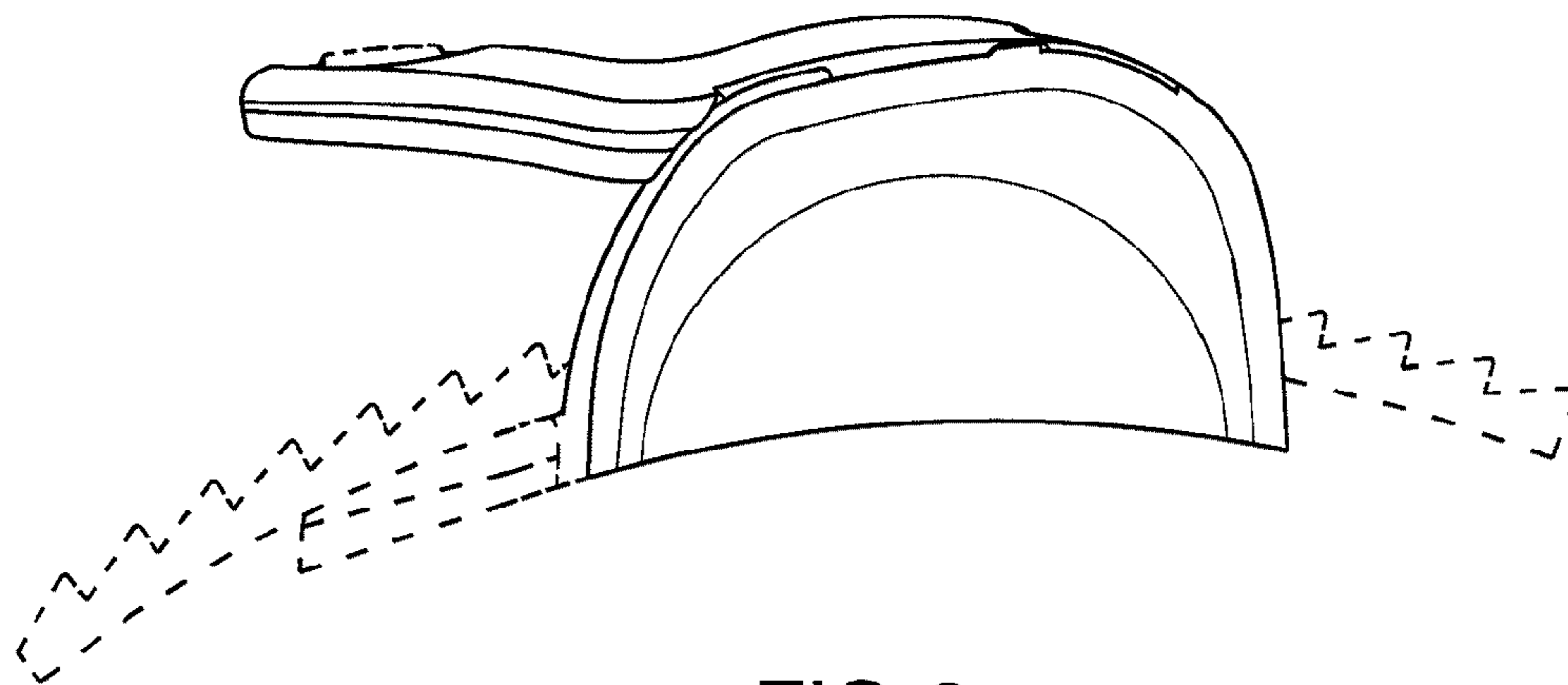


FIG. 6

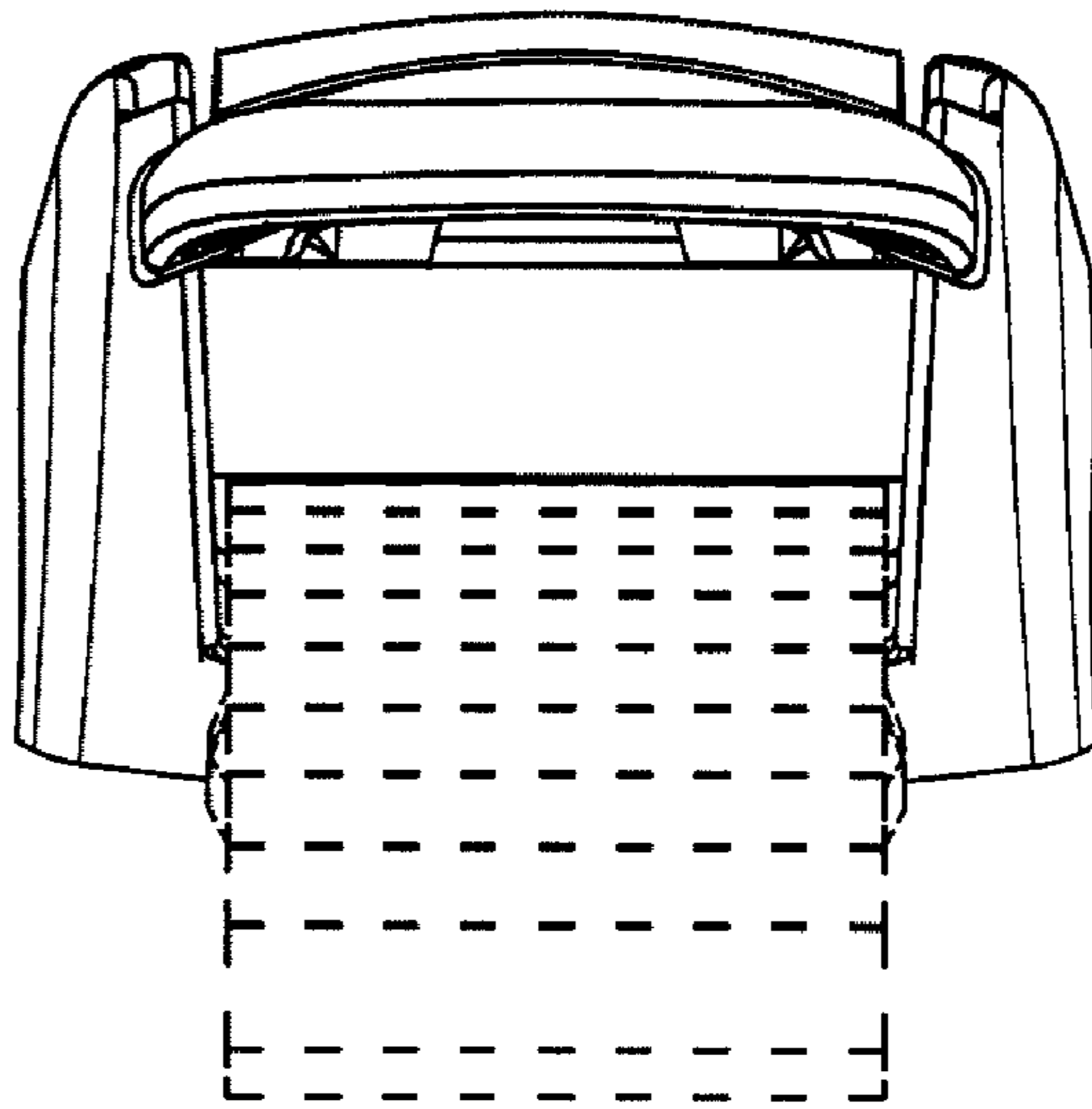


FIG. 7

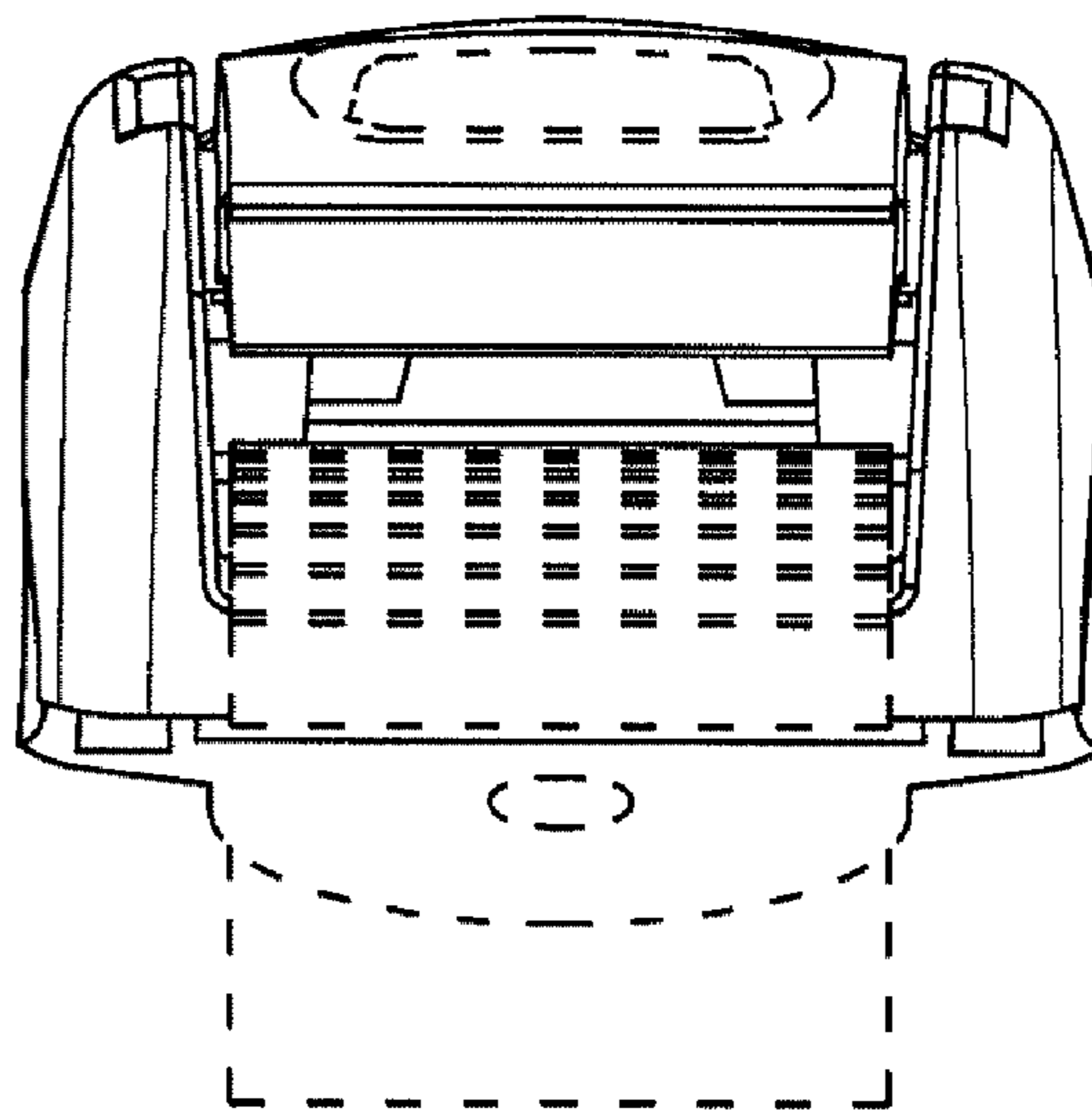


FIG. 8

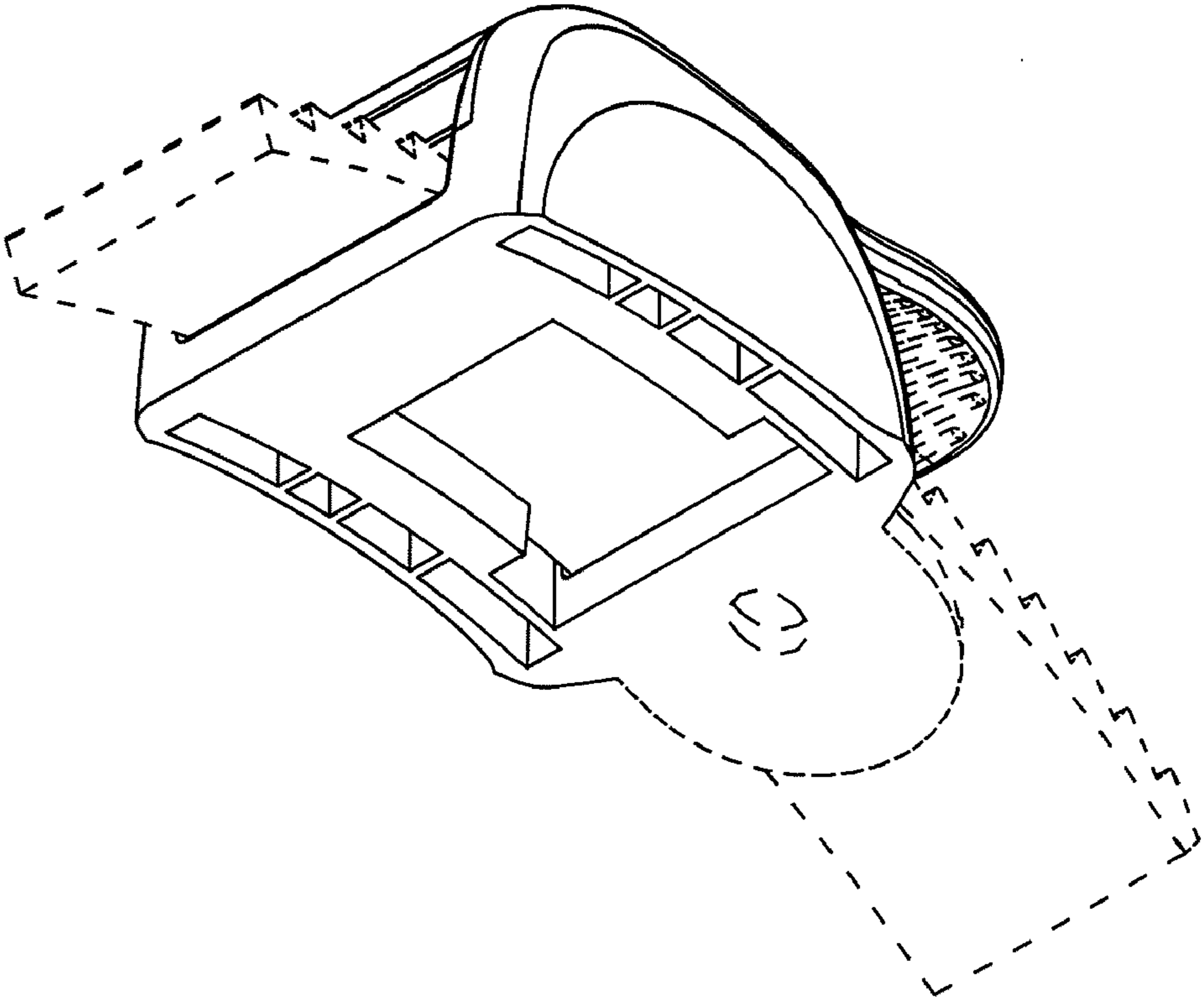


FIG.9

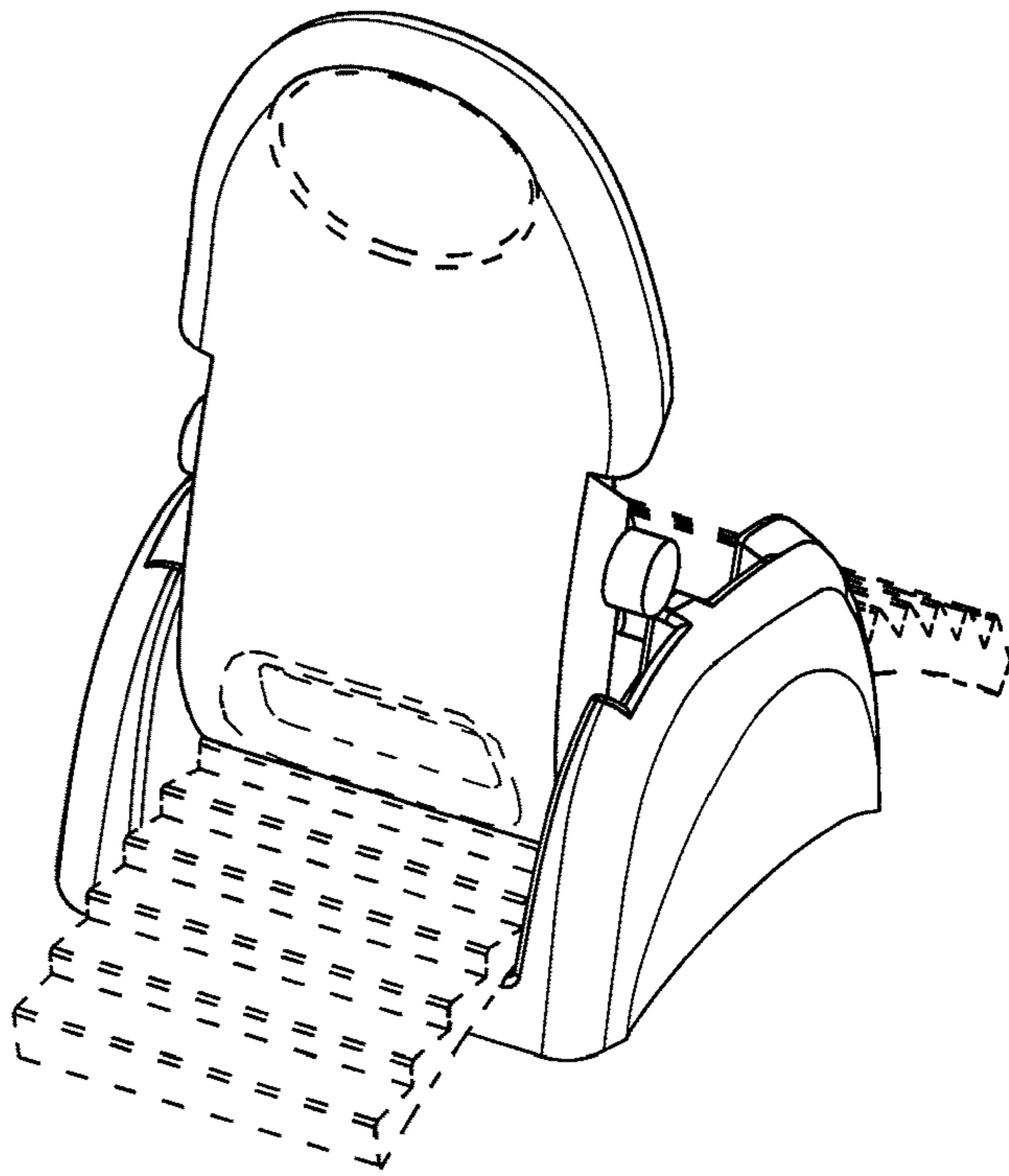


FIG.10

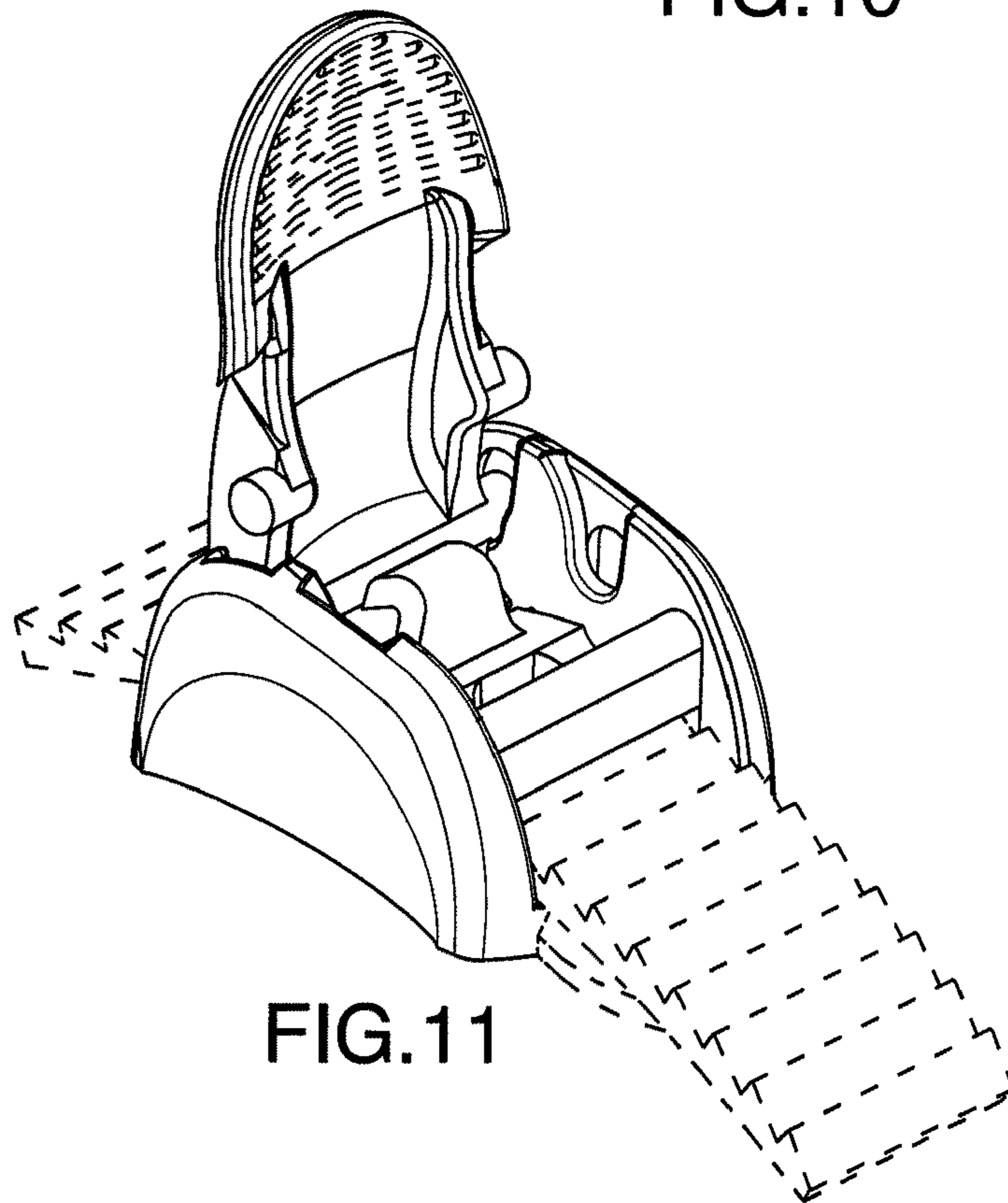


FIG.11

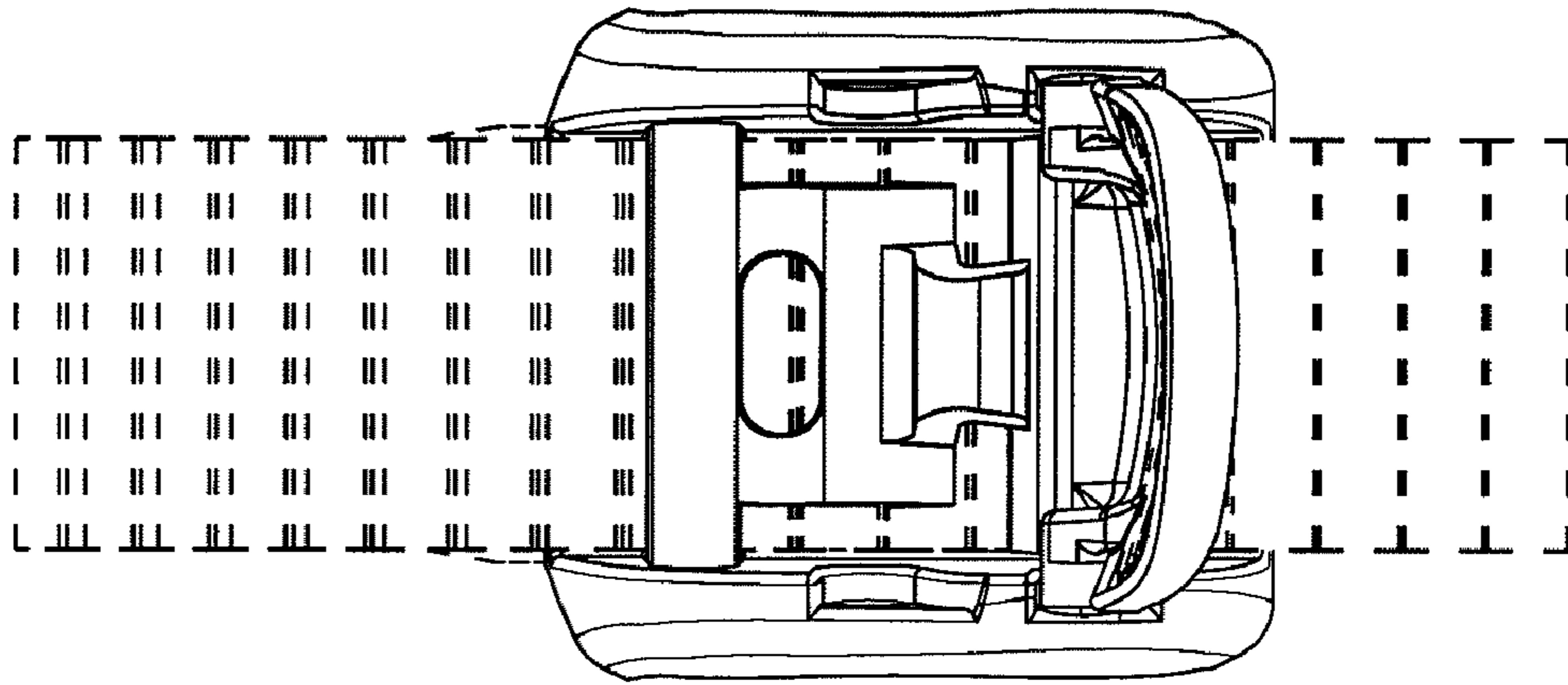


FIG. 12

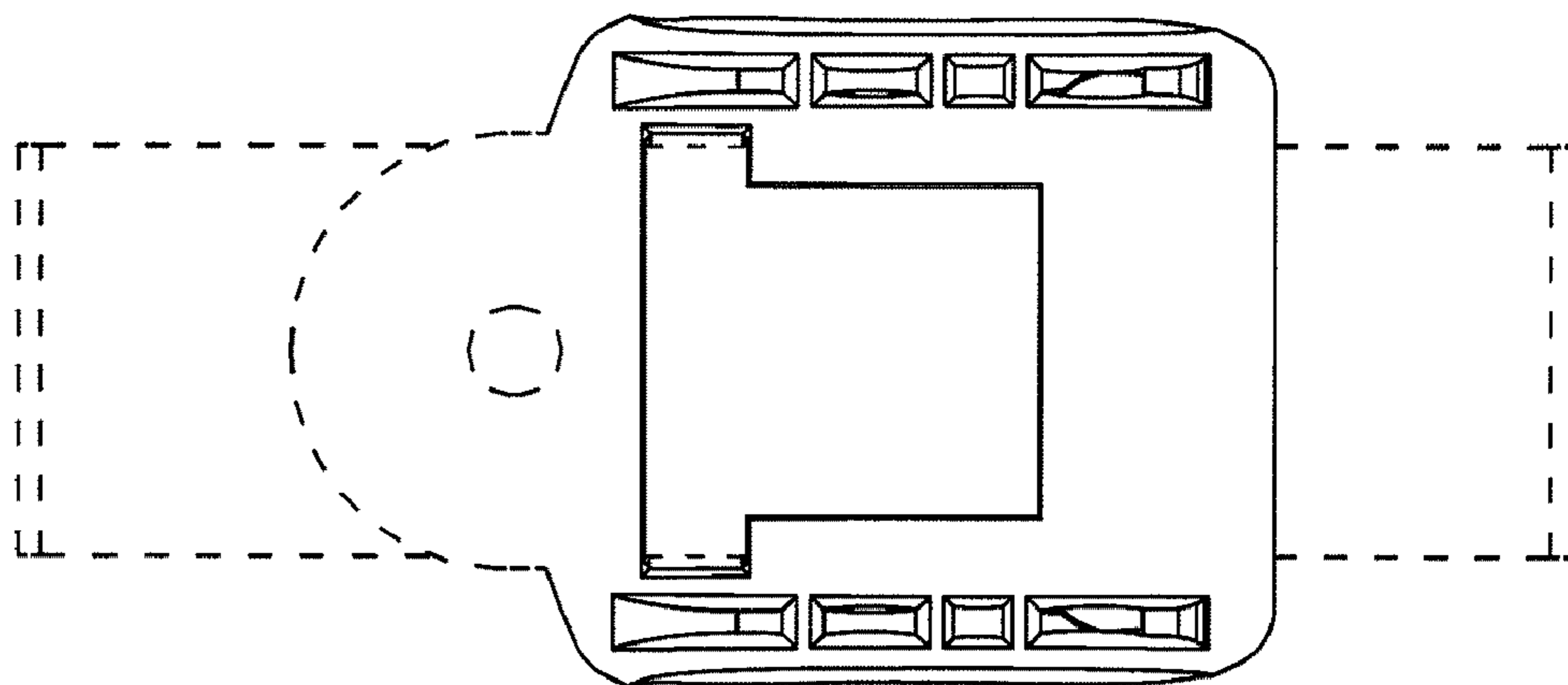
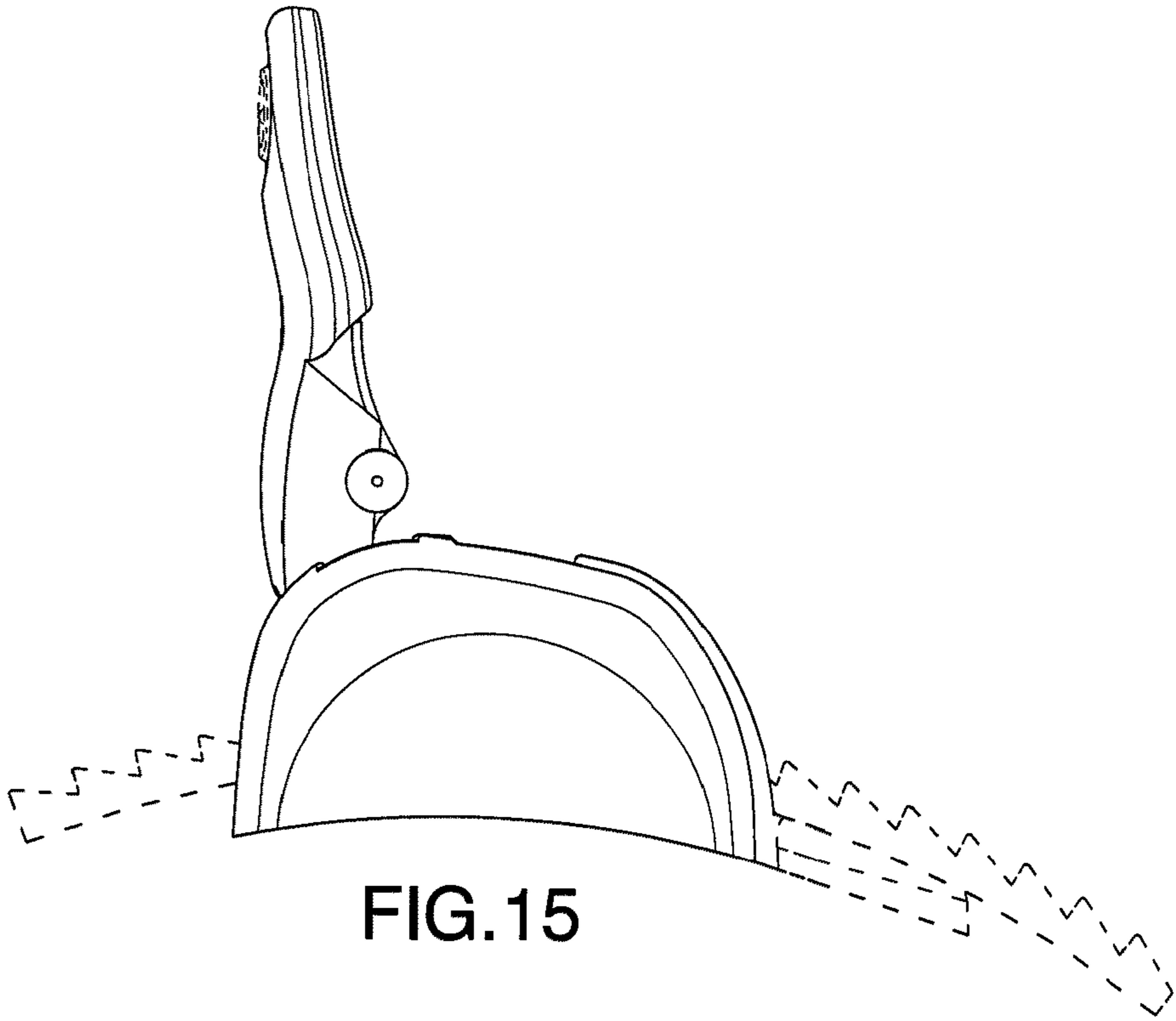
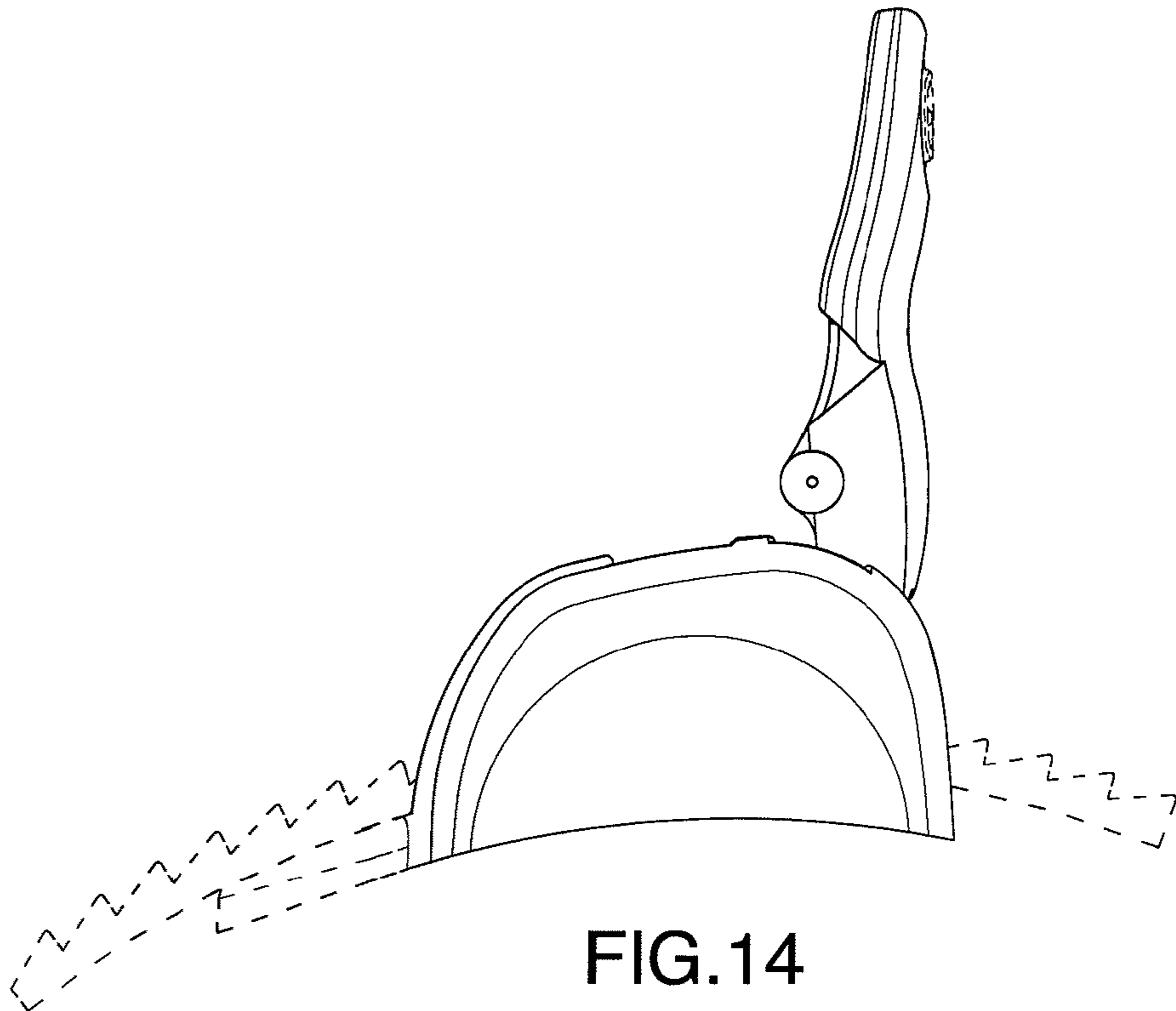


FIG. 13



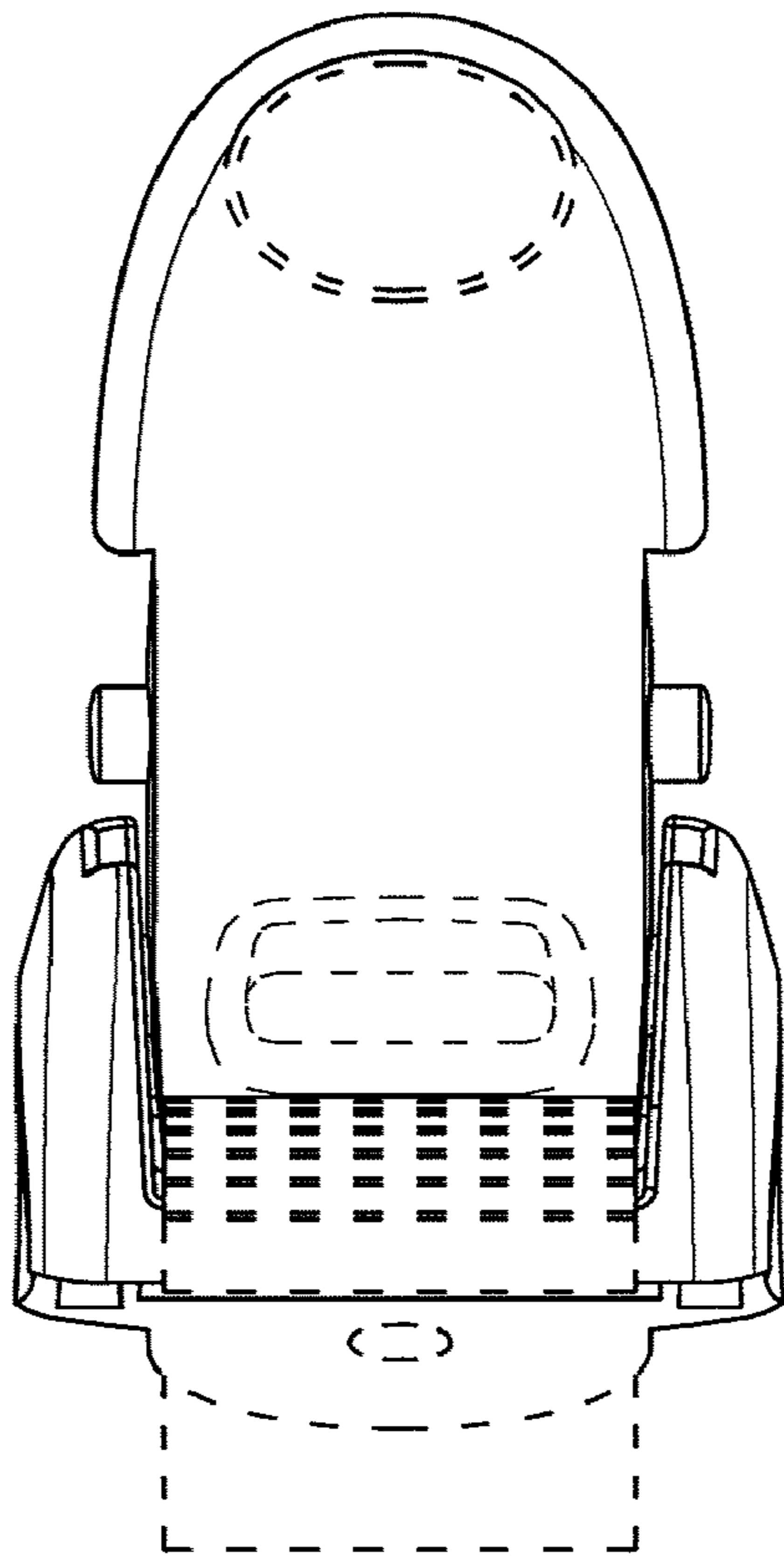


FIG. 16

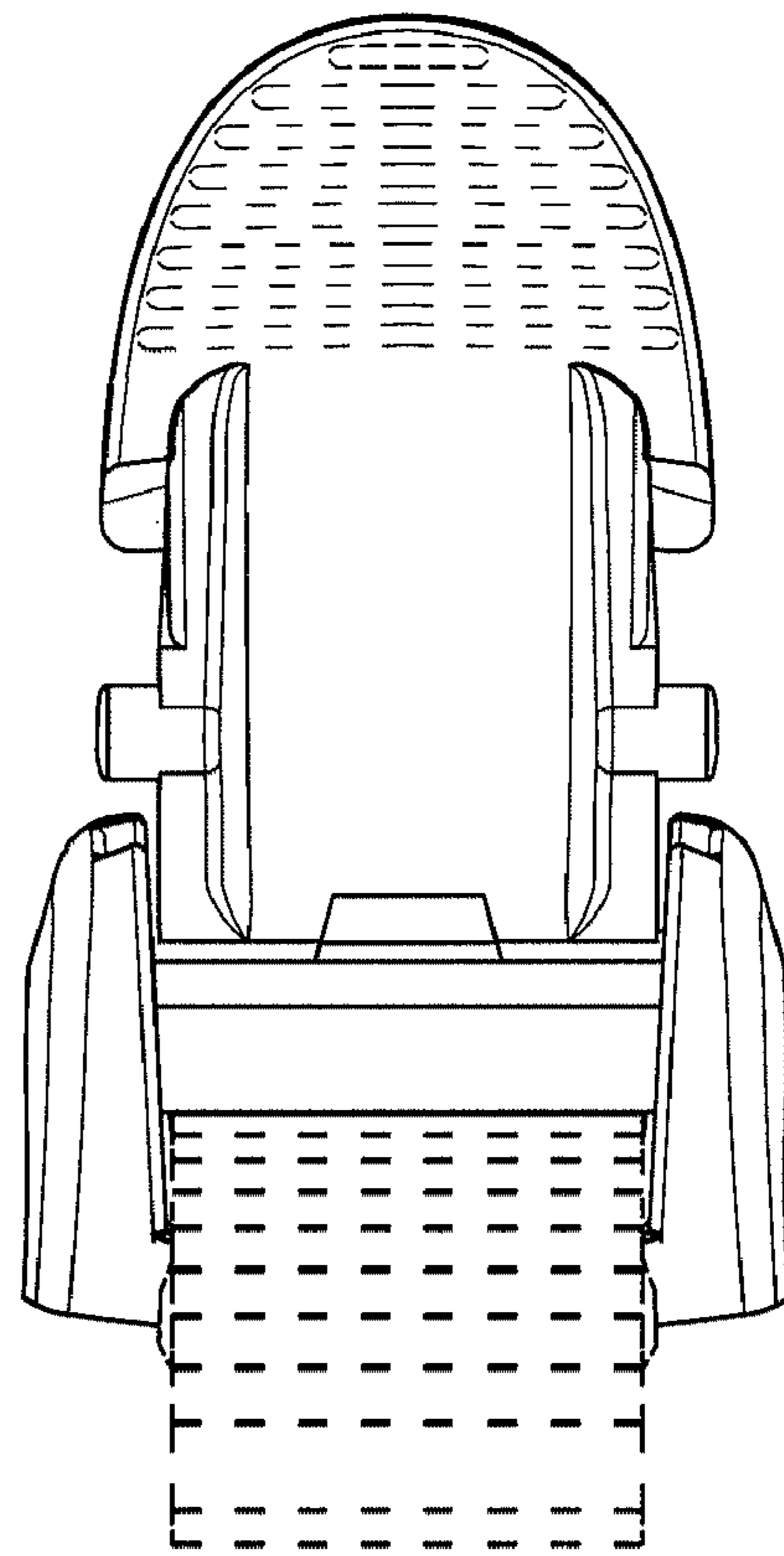


FIG. 17

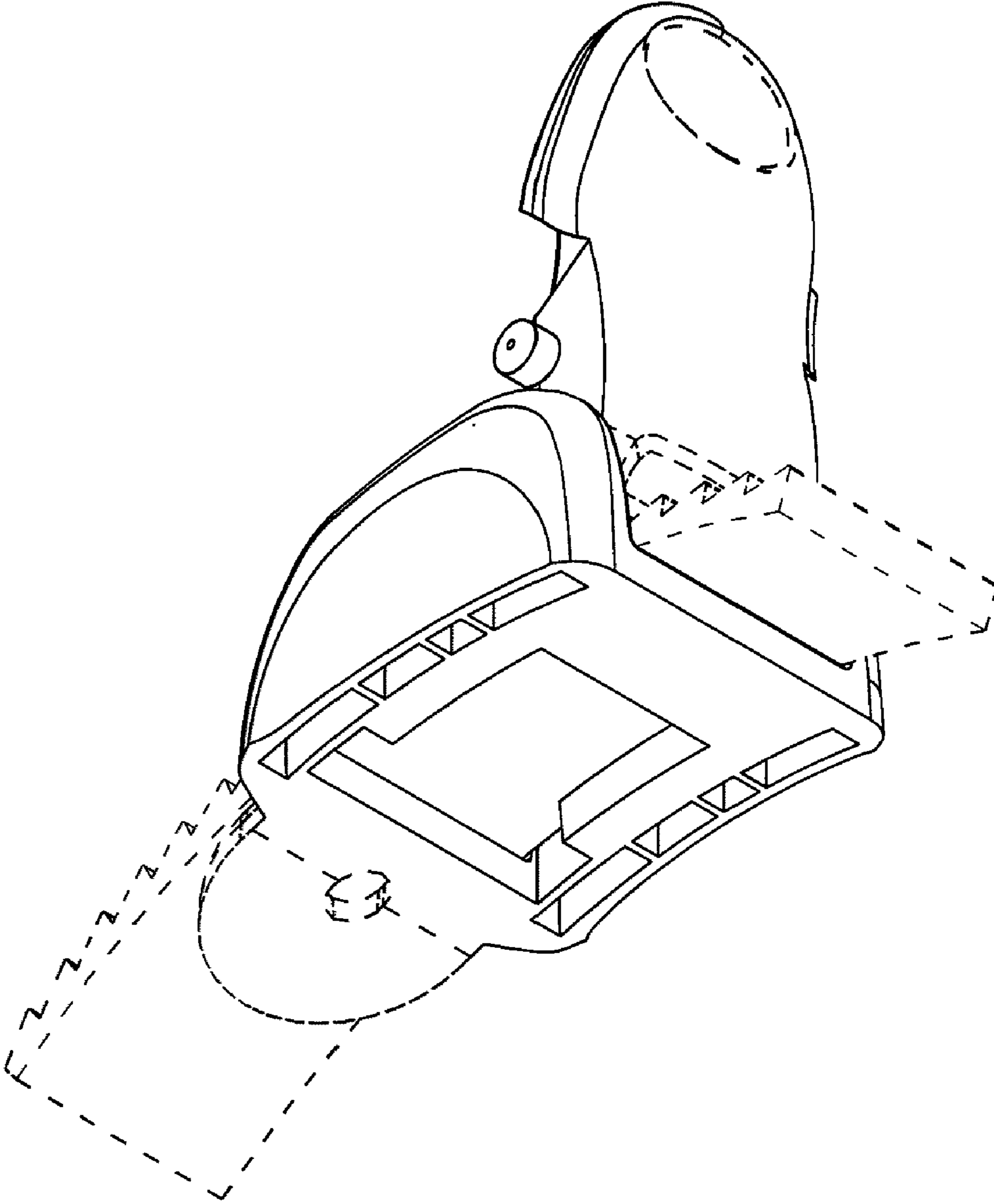


FIG.18