



US00D651121S

(12) **United States Design Patent**
Grimme

(10) **Patent No.:** **US D651,121 S**

(45) **Date of Patent:** **** Dec. 27, 2011**

(54) **STACKABLE INTERLOCKING PLANTER BOX**

(76) Inventor: **John D. Grimme**, Eugene, OR (US)

(**) Term: **14 Years**

(21) Appl. No.: **29/370,774**

(22) Filed: **Sep. 4, 2010**

(51) **LOC (9) Cl.** **11-02**

(52) **U.S. Cl.** **D11/155; D8/1; D11/143**

(58) **Field of Classification Search** D6/403-405,
D6/556-558; D8/1; D11/143-156, 164;
D19/77, 80, 81; D25/100; D26/9-11, 16;
D34/1, 2, 4-6; D99/5, 19; 47/32.4, 32.5,
47/32.7, 33, 41.01, 41.1, 41.11-41.15, 44-47,
47/65, 65.5, 65.9, 66.1, 66.2, 66.6, 66.7,
47/67-71

See application file for complete search history.

(56) **References Cited**

U.S. PATENT DOCUMENTS

3,396,488	A *	8/1968	Ries	47/33
3,545,128	A *	12/1970	La Fontaine et al.	47/33
3,760,534	A *	9/1973	Choux et al.	47/39
D242,266	S *	11/1976	Beh	D11/156

D255,787	S *	7/1980	Morehead, Jr.	D11/155
D273,667	S *	5/1984	Vuarnesson et al.	D11/155
D338,377	S *	8/1993	Scott et al.	D8/1
D402,229	S *	12/1998	Christensen	D11/155
D444,733	S *	7/2001	Tanner et al.	D11/143
D455,979	S *	4/2002	Salenger	D11/155
D463,159	S *	9/2002	Waggoner	D6/403
7,748,162	B1 *	7/2010	Necessary et al.	47/17
2010/0186292	A1 *	7/2010	Hall	47/33

* cited by examiner

Primary Examiner — Garth Rademaker

(74) *Attorney, Agent, or Firm* — Robert E. Howard

(57) **CLAIM**

The ornamental design for a stackable interlocking planter box, as shown and described.

DESCRIPTION

FIG. 1 is a perspective view of a stackable interlocking planter box showing the present invention; FIG. 2 is a top plan view thereof; FIG. 3 is a bottom plan view thereof; and, FIG. 4 is a side elevation view thereof, the front, rear, and opposite side elevation views being identical thereto. The broken lines depict environmental subject matter only and form no part of the claimed design.

1 Claim, 1 Drawing Sheet

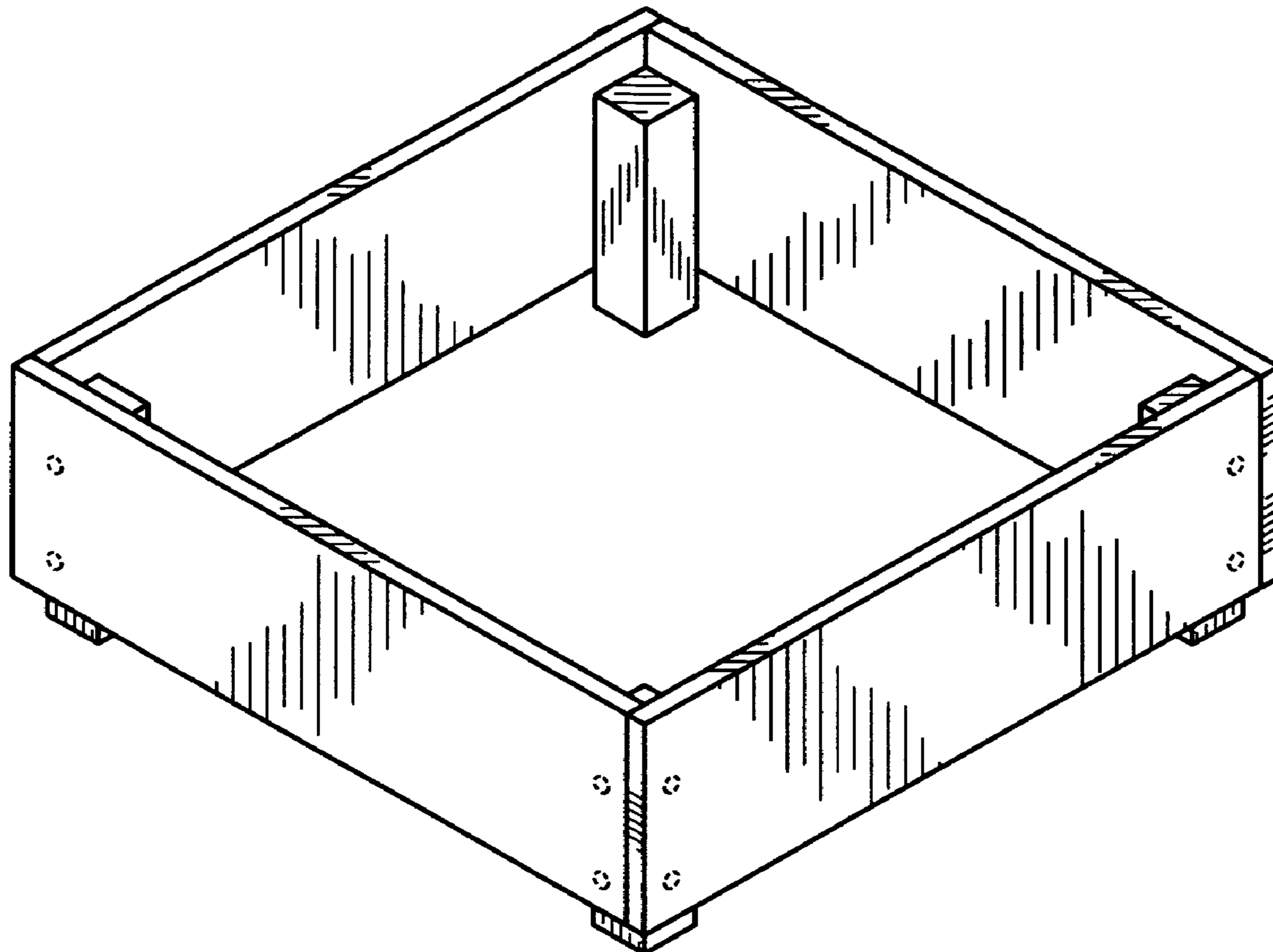


Fig. 1

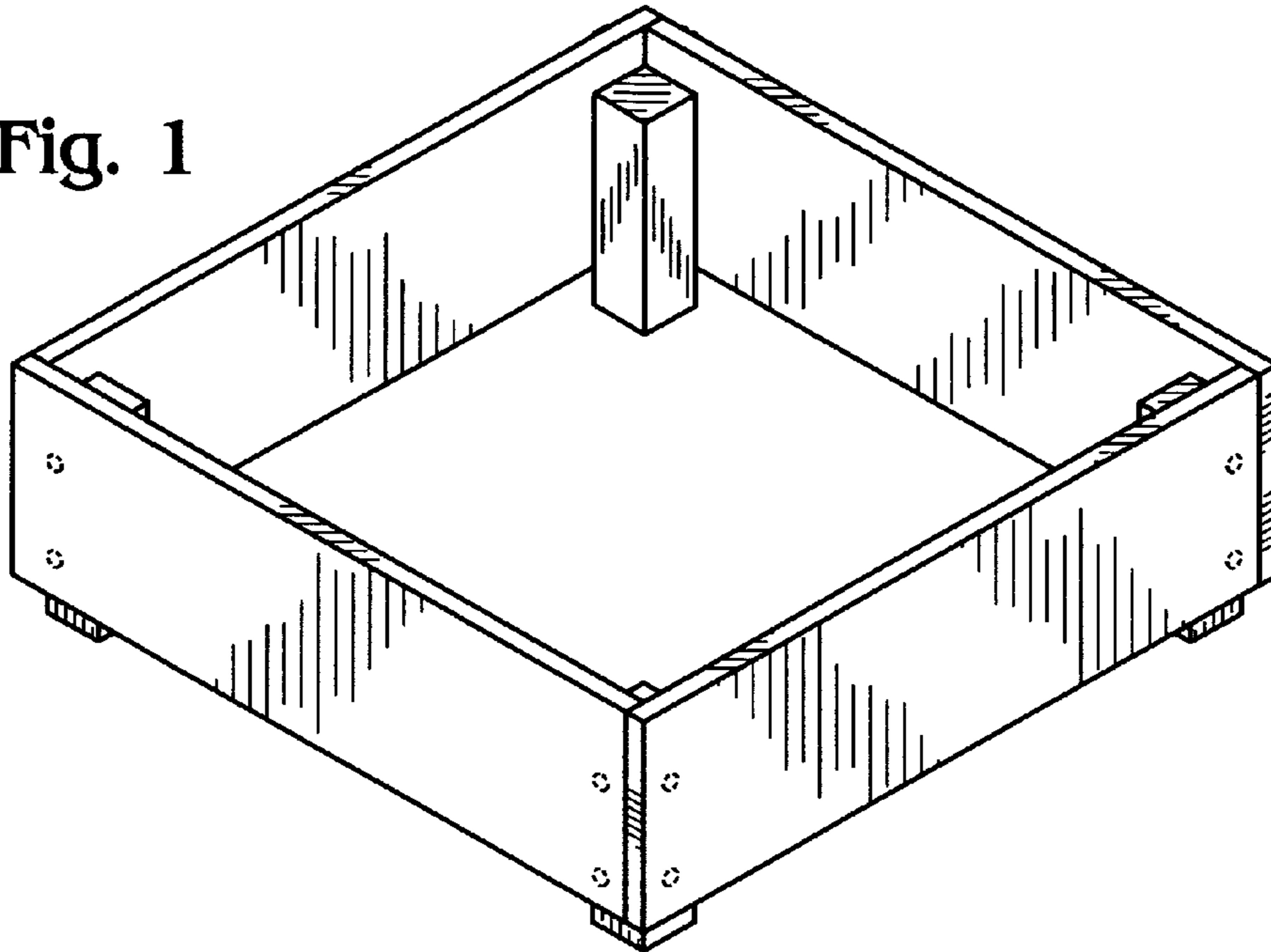


Fig. 2

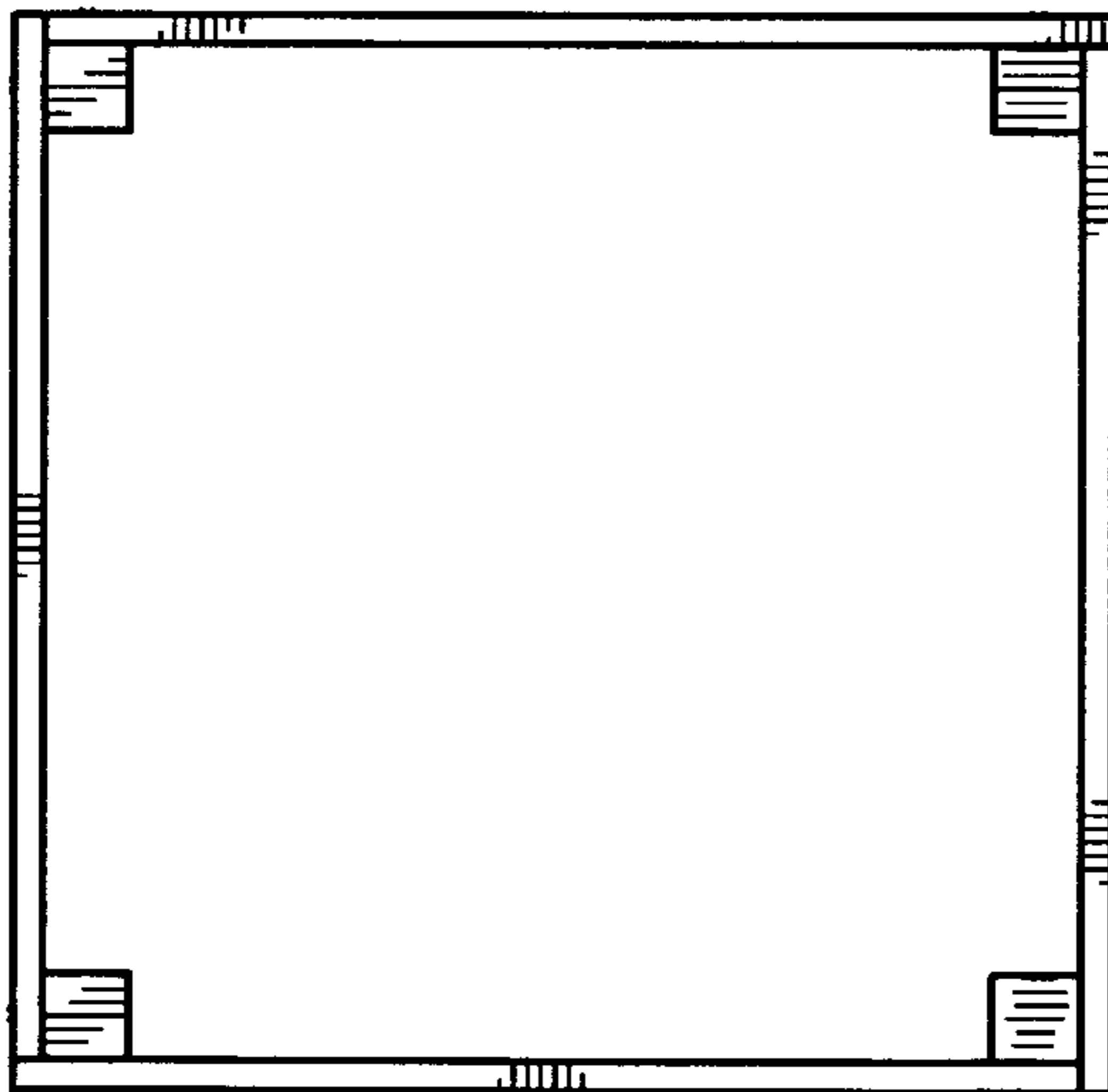


Fig. 3

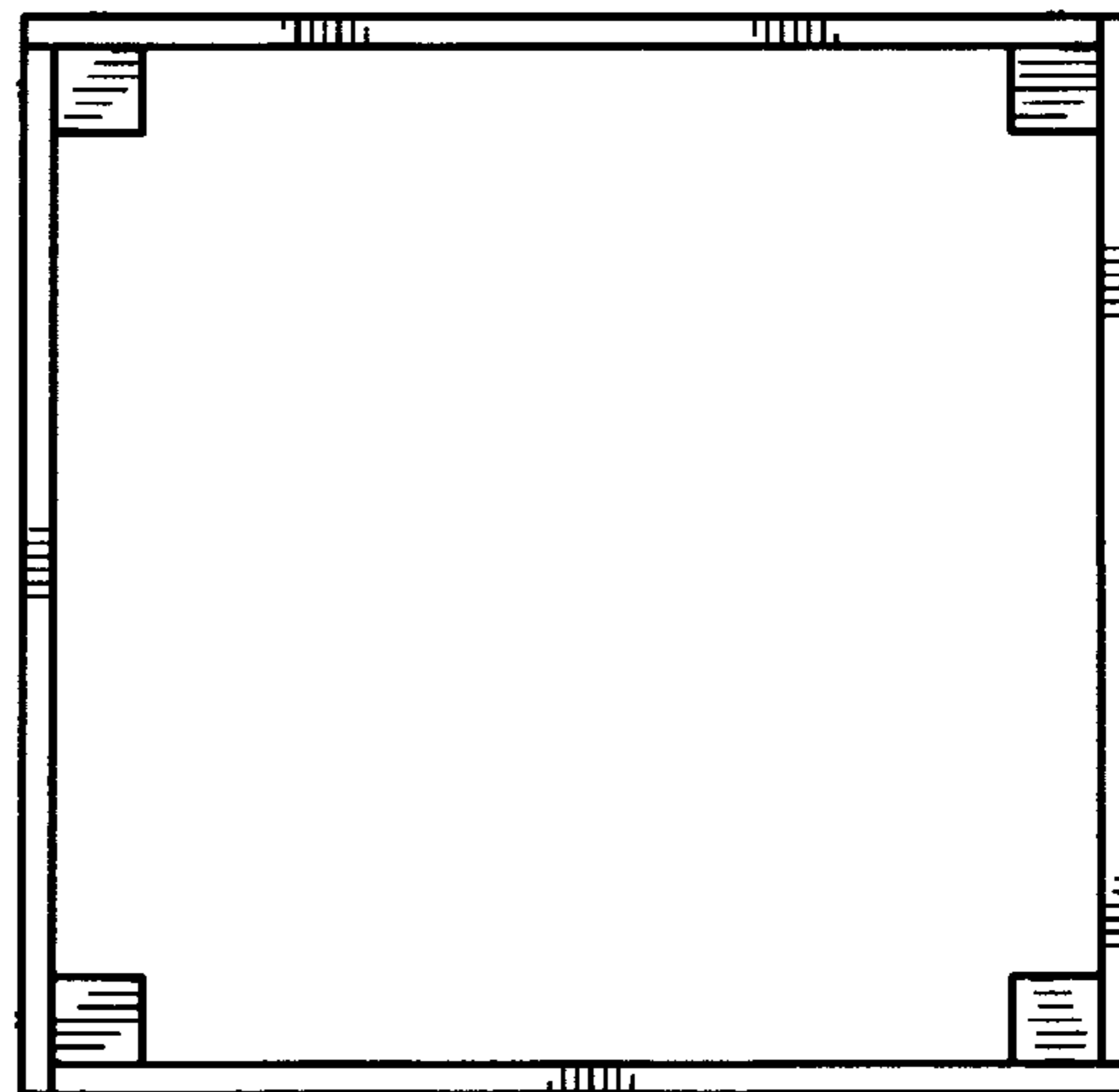


Fig. 4

