



US00D651120S

(12) **United States Design Patent**
White et al.

(10) **Patent No.:** **US D651,120 S**

(45) **Date of Patent:** **** Dec. 27, 2011**

(54) **MAILBOX PLANTER**

(76) Inventors: **Mark D White**, Stover, MO (US);
Teresa Monares, Stover, MO (US)

(**) Term: **14 Years**

(21) Appl. No.: **29/391,341**

(22) Filed: **May 6, 2011**

(51) **LOC (9) Cl.** **11-02**

(52) **U.S. Cl.** **D11/149**

(58) **Field of Classification Search** D6/403-405,
D6/556-558; D8/1; D11/143-156, 164;
D19/77, 80, 81; D25/100; D26/9-11, 16;
D34/1, 2, 4-6; D99/5, 19; 47/32.4, 32.5,
47/32.7, 33, 41.01, 41.1, 41.11-41.15, 44-47,
47/65, 65.5, 65.9, 66.1, 66.2, 66.6, 66.7,
47/67-71

See application file for complete search history.

(56) **References Cited**

U.S. PATENT DOCUMENTS

D248,198 S * 6/1978 Gordon, Sr. D11/148
D312,912 S * 12/1990 Klahre D11/149
D313,105 S * 12/1990 Klahre D11/143
D313,374 S * 1/1991 Hartley D11/156

D322,418 S * 12/1991 White D11/144
6,032,808 A * 3/2000 Henson 211/85.23
D460,718 S * 7/2002 Beattie D11/148
D560,550 S * 1/2008 Laycock D11/156

* cited by examiner

Primary Examiner — Garth Rademaker

(74) *Attorney, Agent, or Firm* — Intellectual Property Center; Arthur K. Shaffer

(57) **CLAIM**

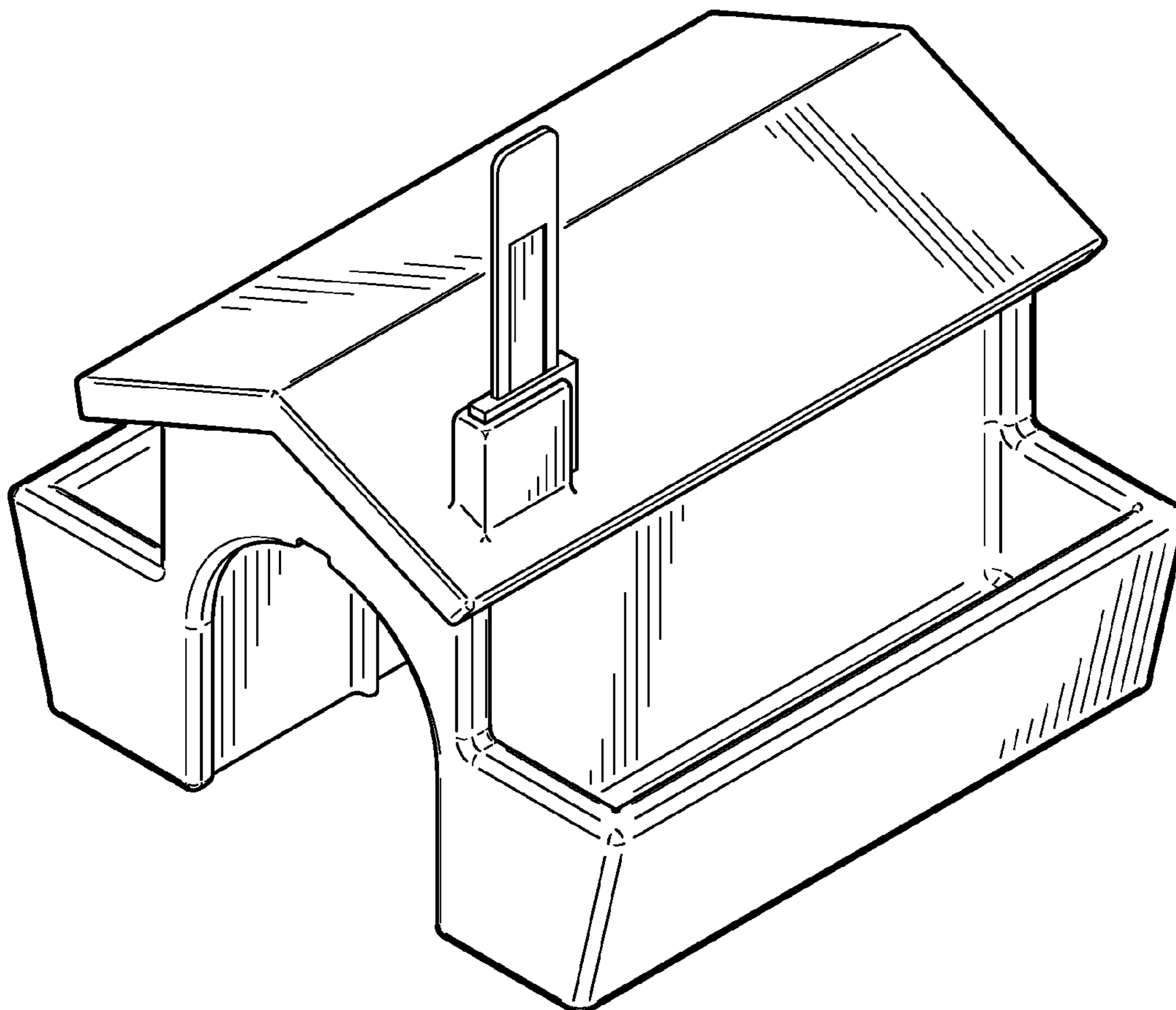
The ornamental design for a mailbox planter, as shown and described.

DESCRIPTION

FIG. 1 is a top perspective view of a mailbox planter in accordance with the present invention; FIG. 2 is a bottom perspective view thereof; FIG. 3 is a top plan view thereof; FIG. 4 is a right side elevation view thereof; FIG. 5 is a left side elevation view thereof; FIG. 6 is a bottom plan view thereof; FIG. 7 is a front elevation view thereof; and, FIG. 8 is a rear elevation view thereof.

The broken lines depict environmental subject matter only and form no part of the claimed design.

1 Claim, 4 Drawing Sheets



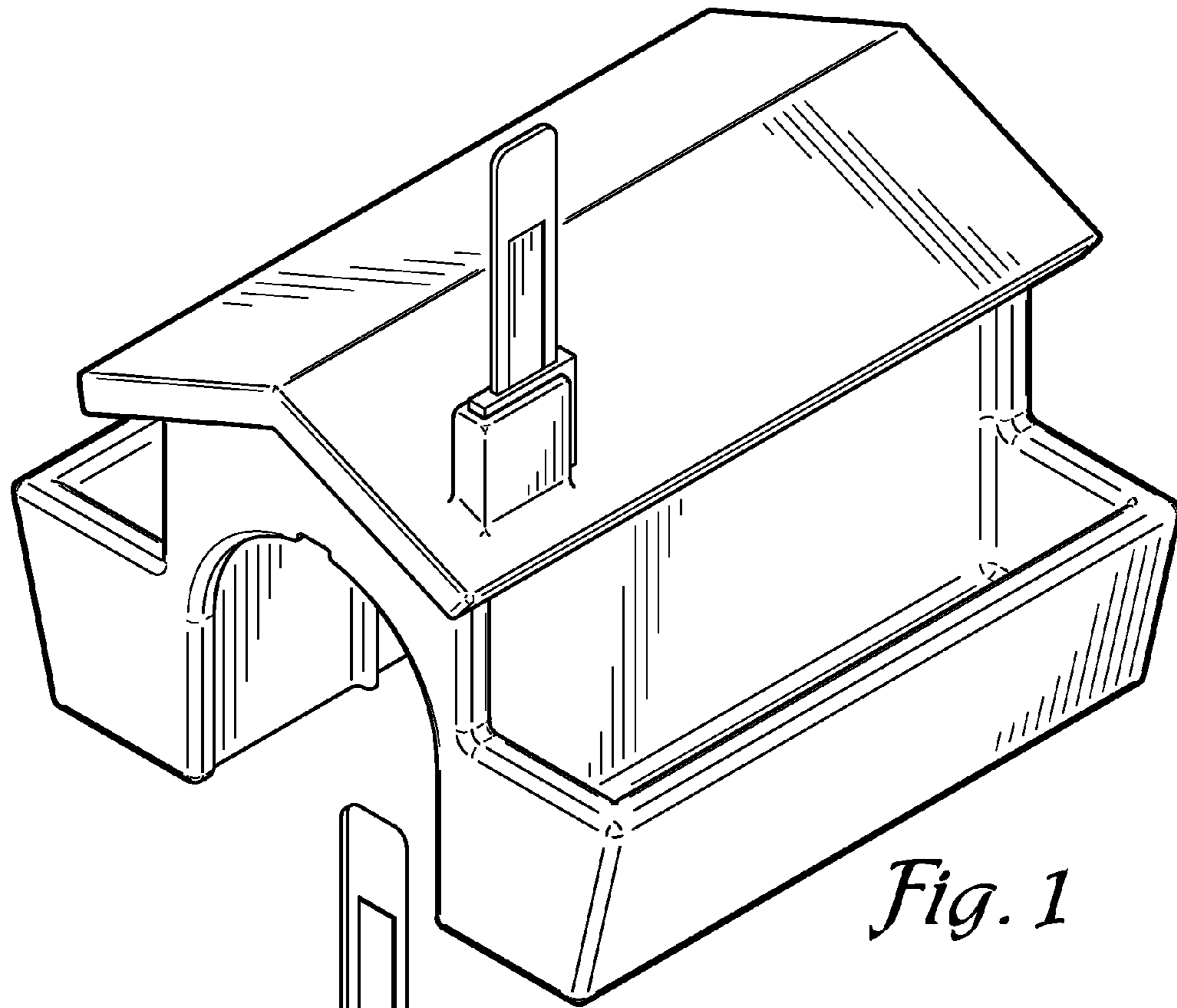


Fig. 1

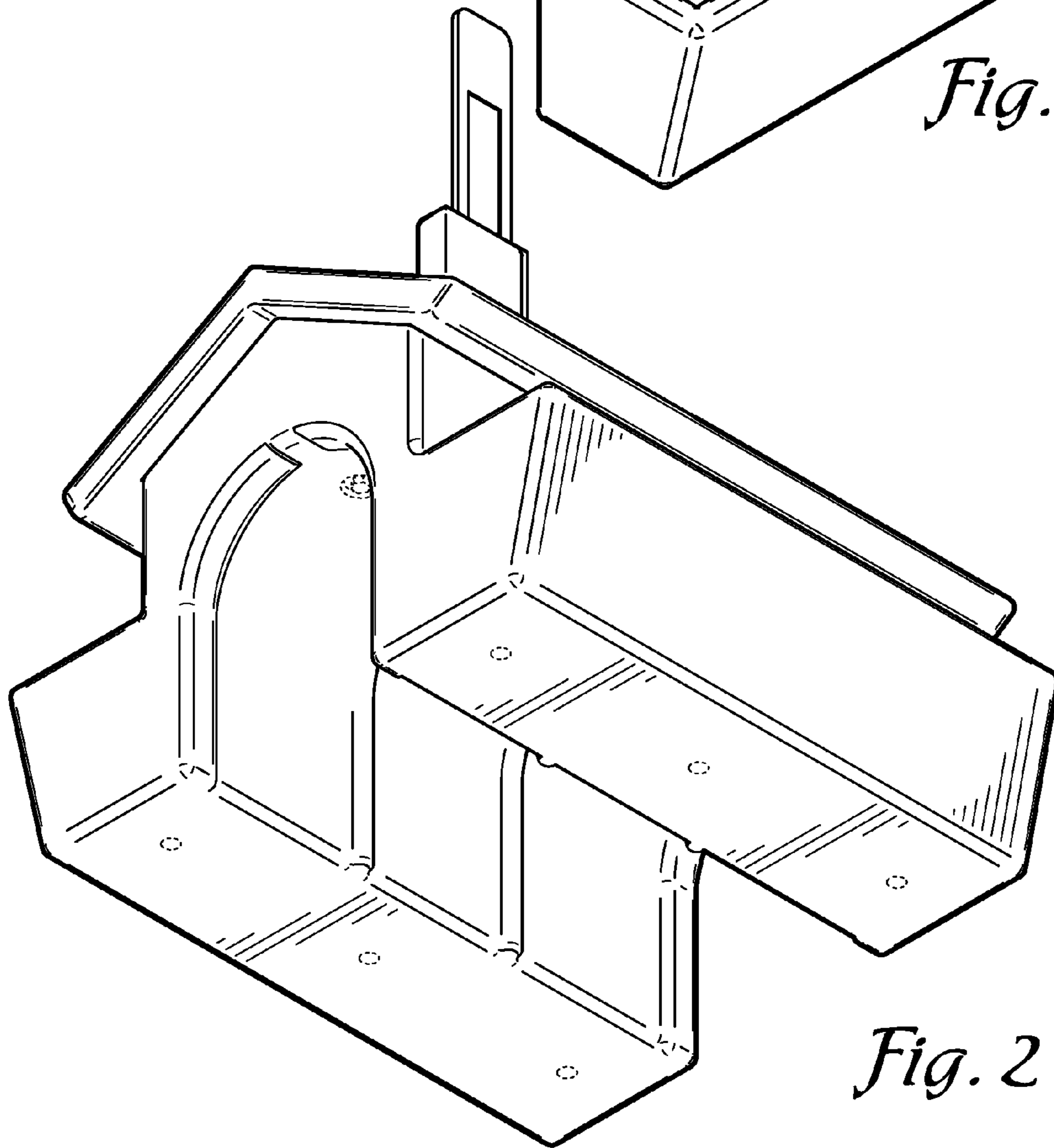


Fig. 2

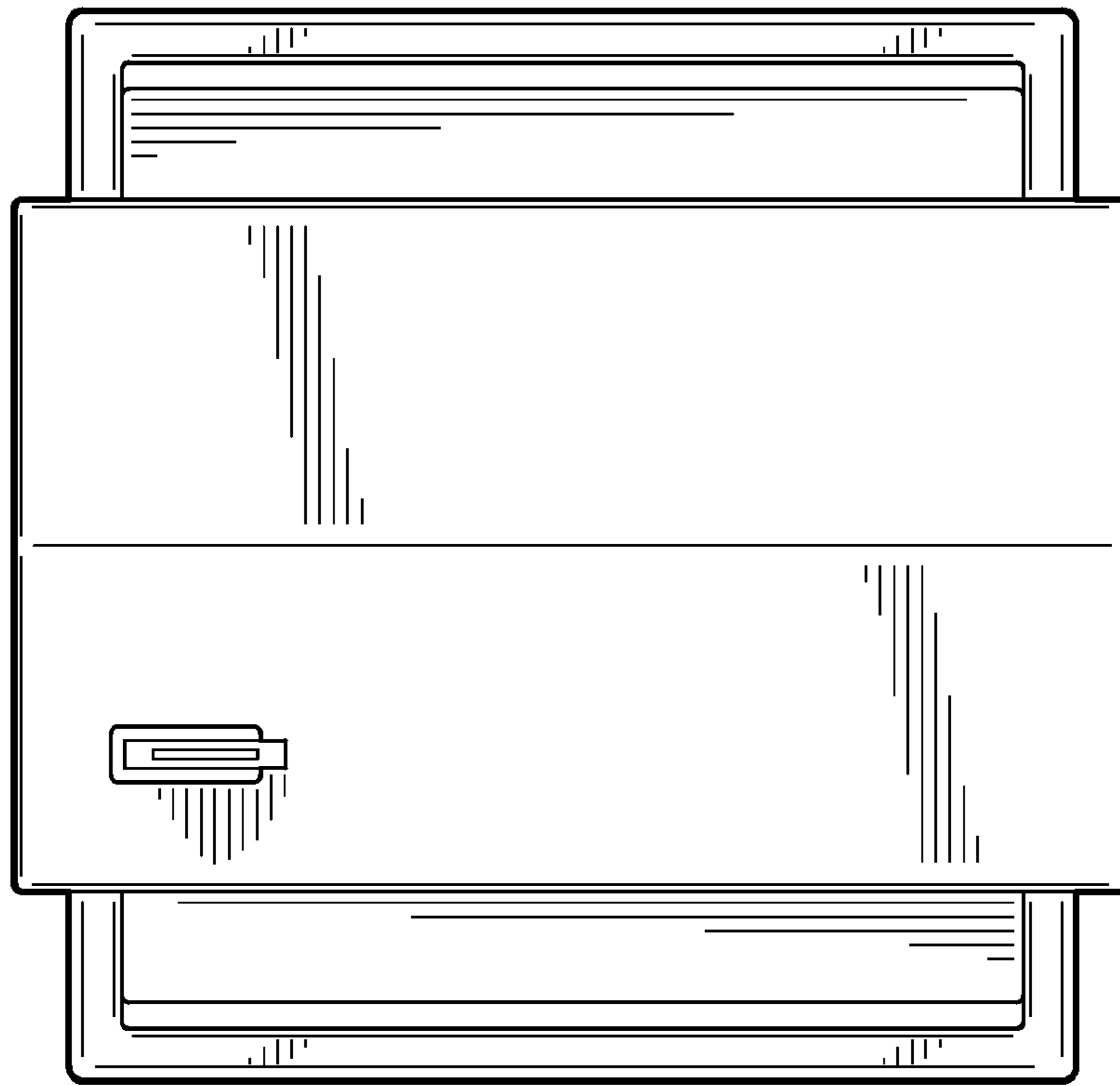


Fig. 3

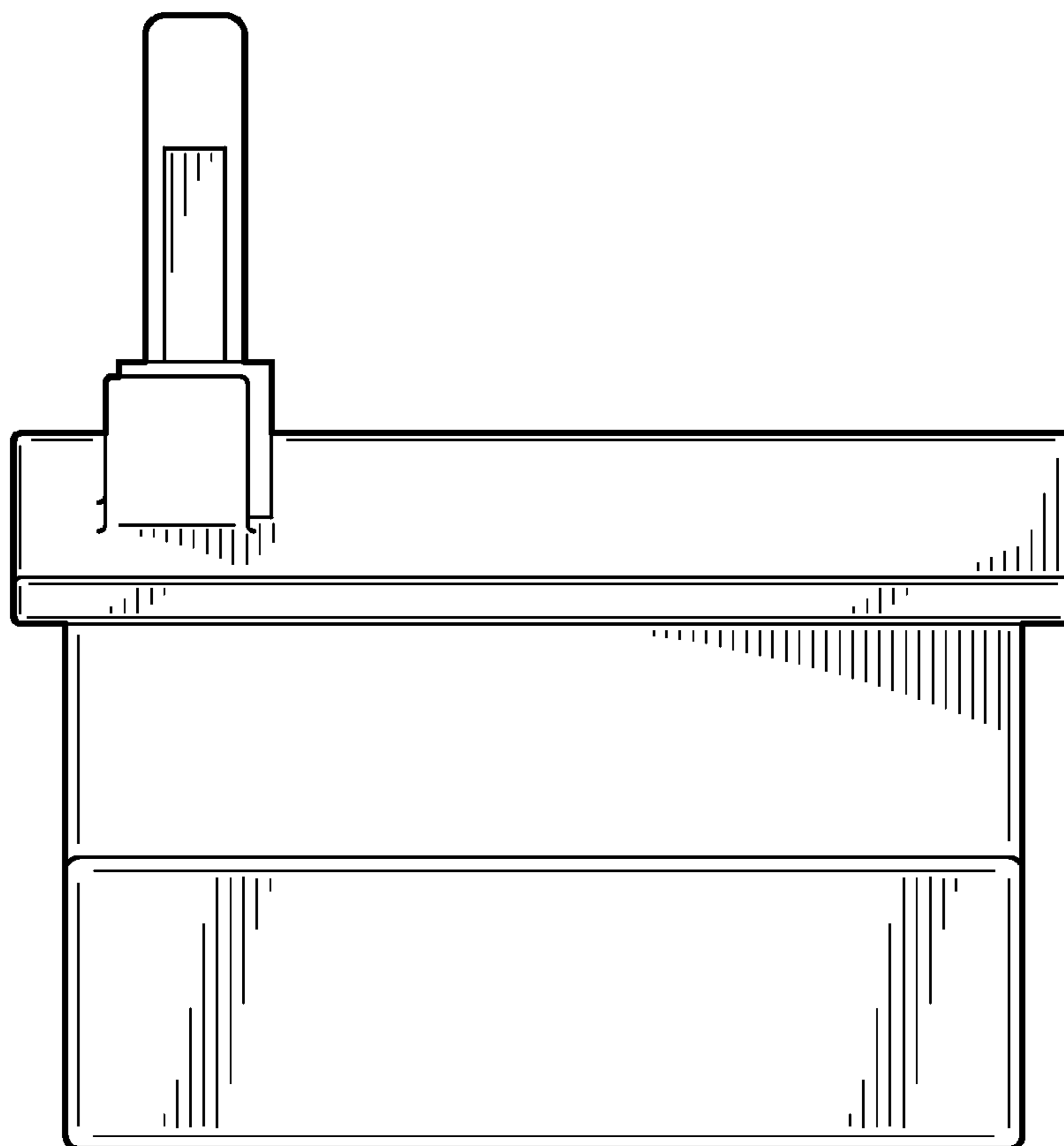


Fig. 4

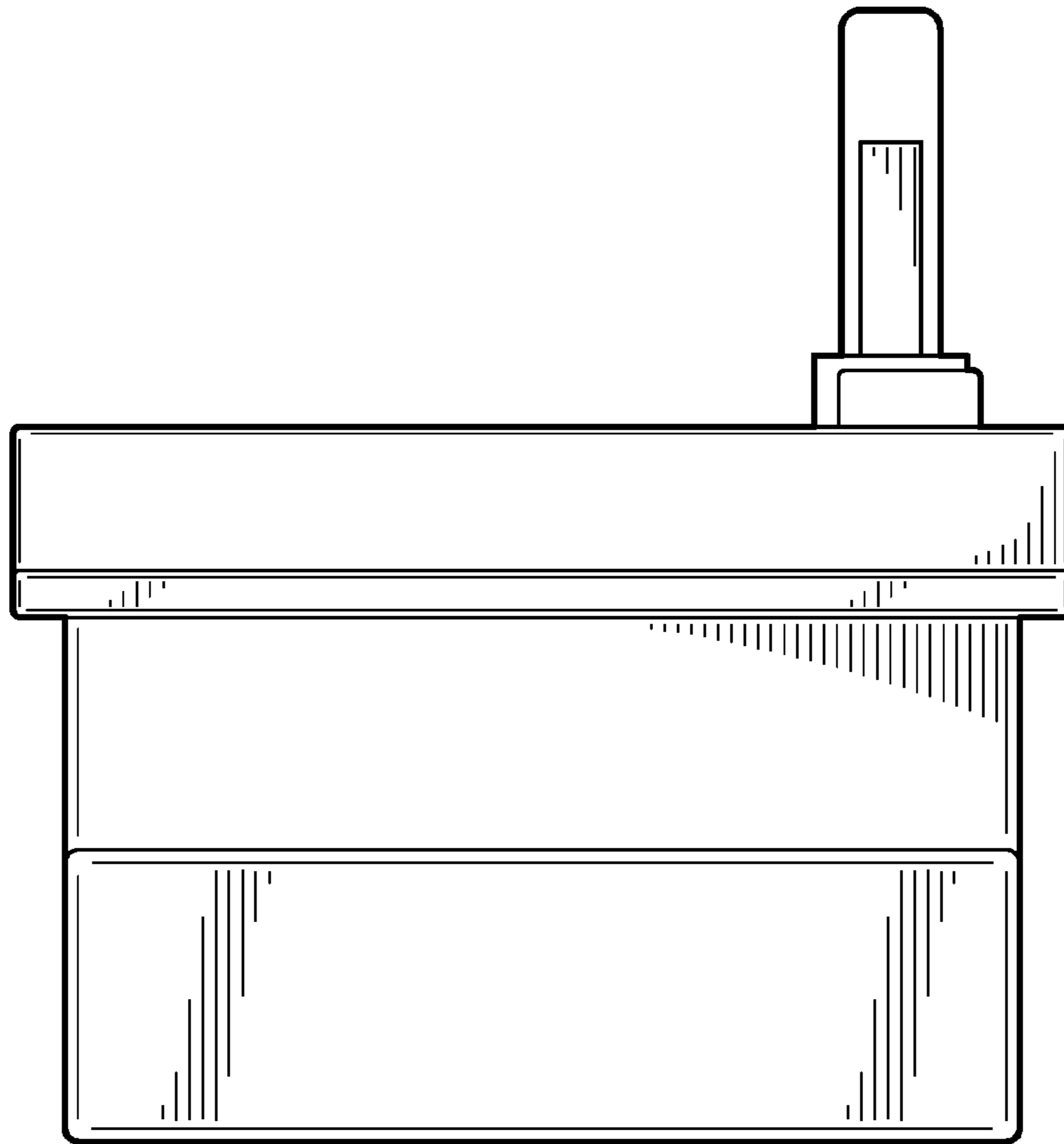


Fig. 5

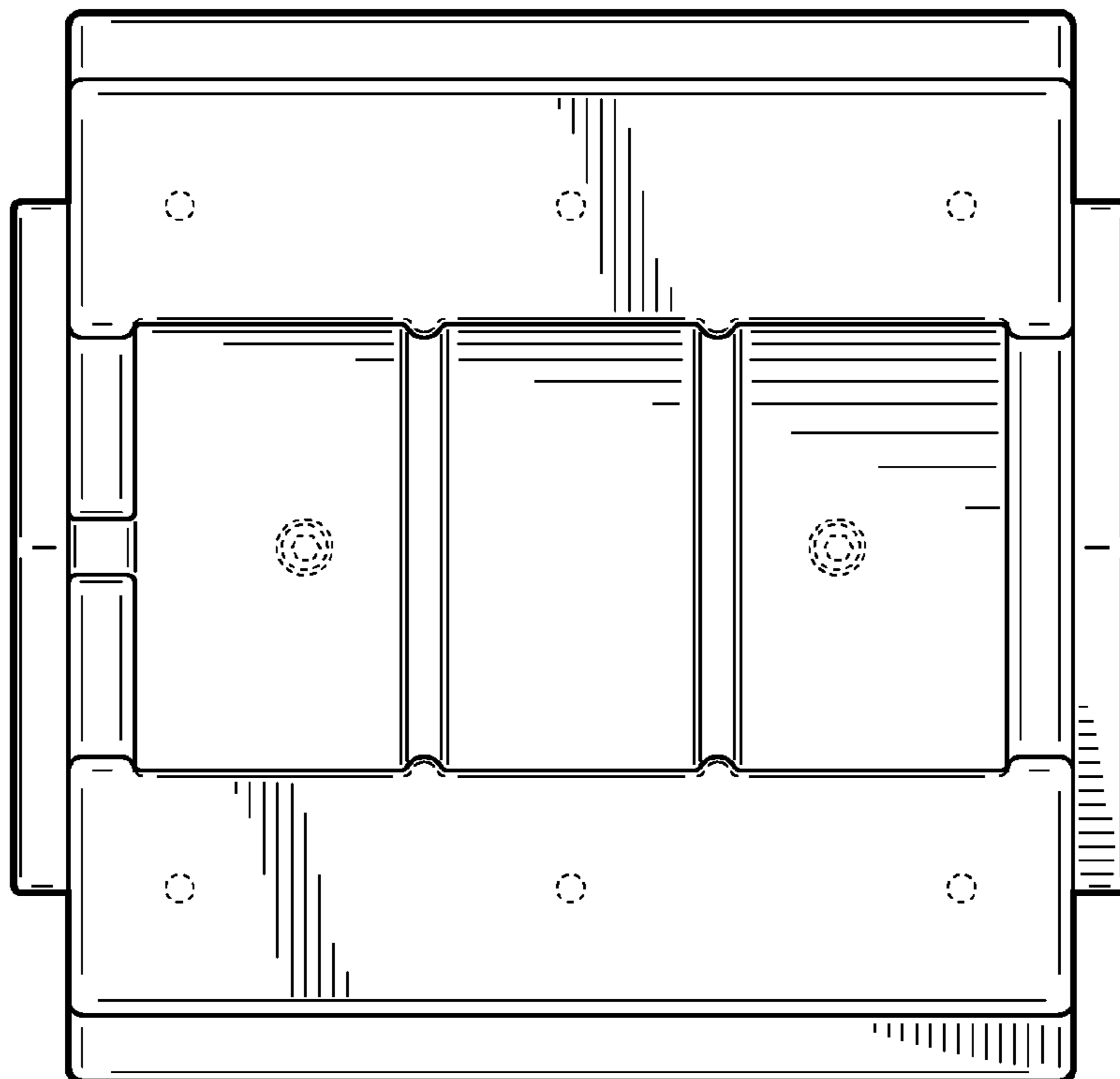


Fig. 6

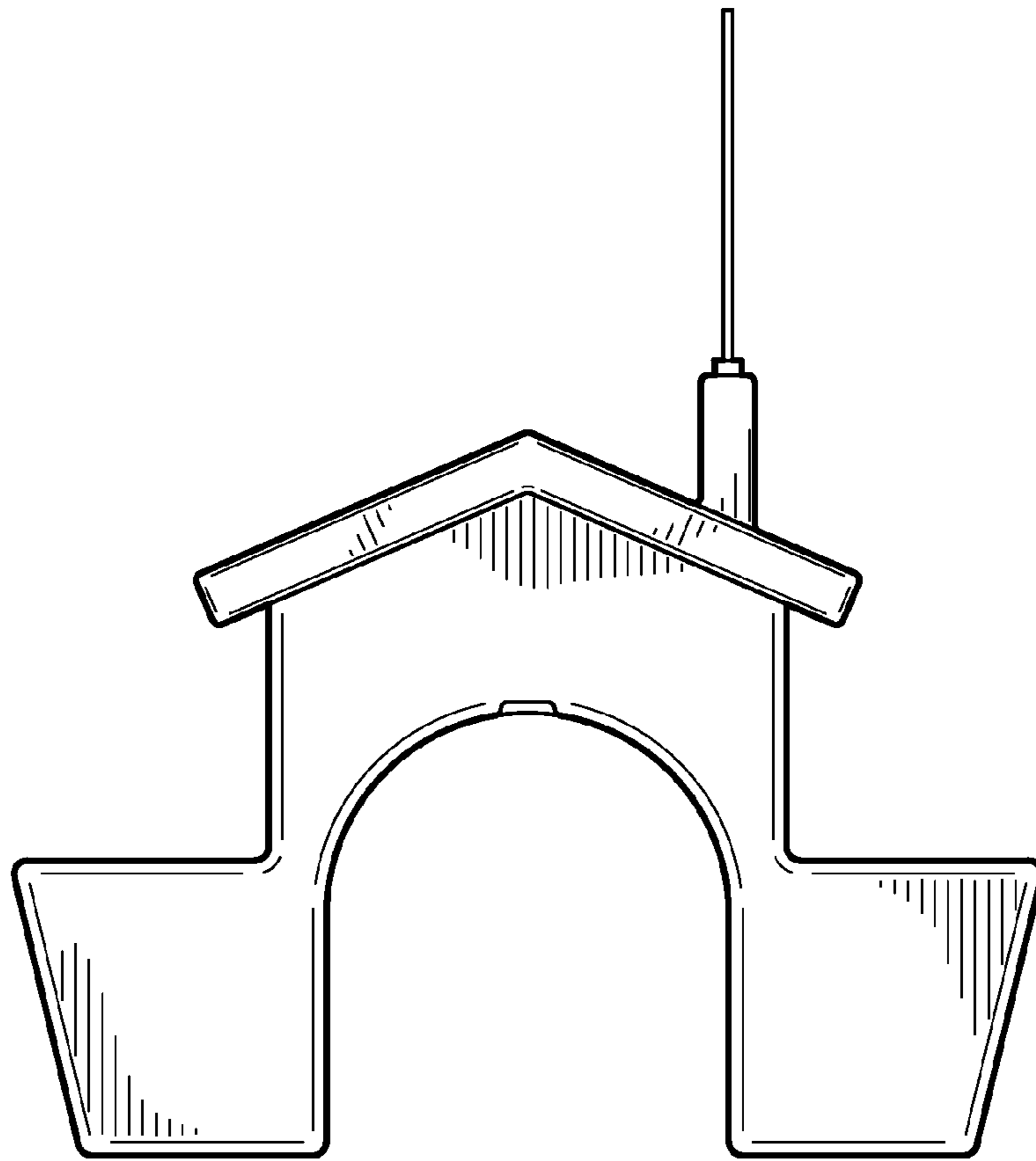


Fig. 7

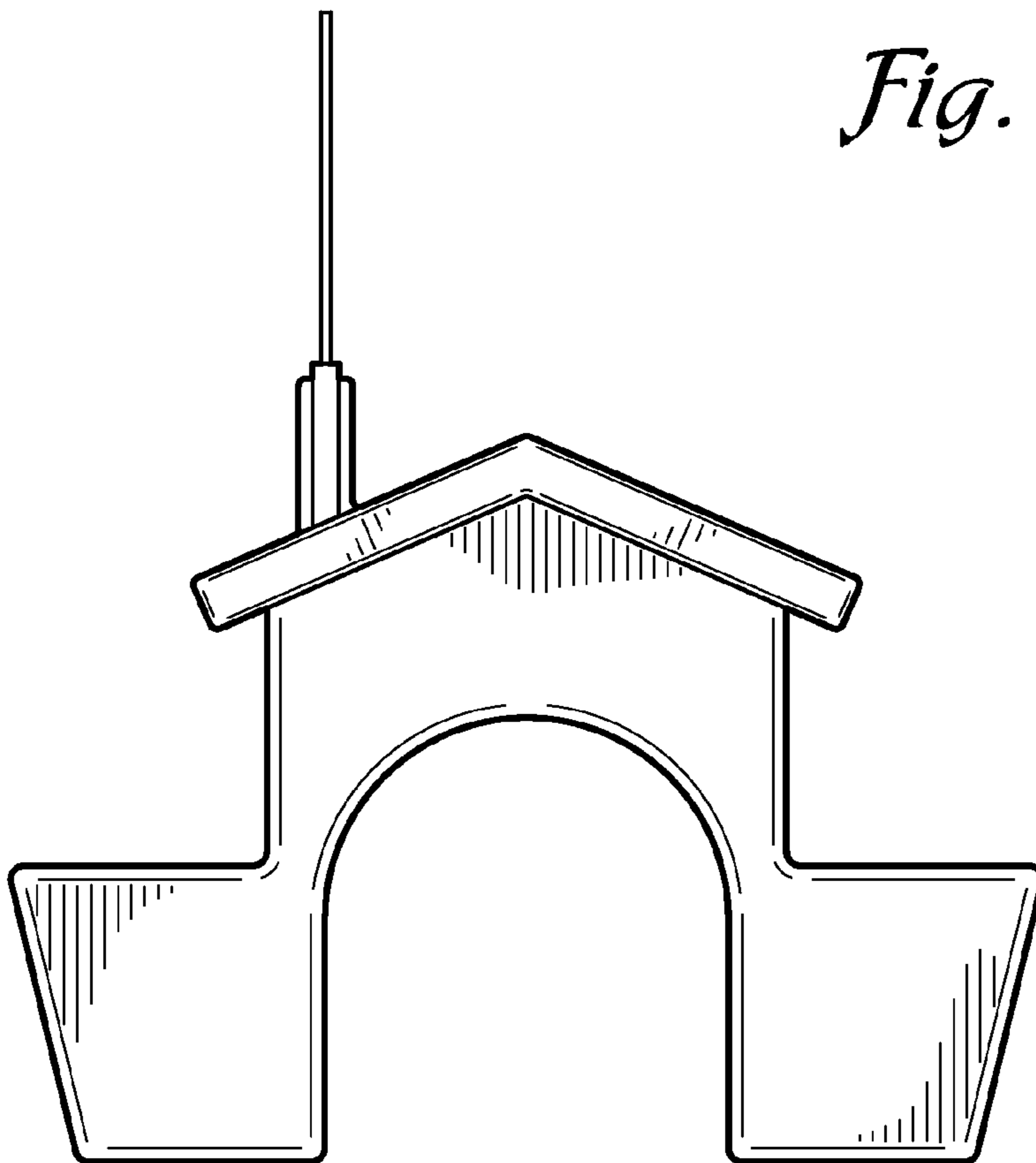


Fig. 8