



US00D651114S

(12) **United States Design Patent**
Bedrossian

(10) **Patent No.:** **US D651,114 S**

(45) **Date of Patent:** **** Dec. 27, 2011**

(54) **JEWELLERY BEAD**

(75) Inventor: **Sarkis Der Bedrossian**, New South
Wales (AU)

(73) Assignee: **Sams Watchmaker Jeweller Pty Ltd**,
Sydney (AU)

(**) Term: **14 Years**

(21) Appl. No.: **29/340,215**

(22) Filed: **Jul. 15, 2009**

(51) **LOC (9) Cl.** **11-01**

(52) **U.S. Cl.** **D11/1; D11/79**

(58) **Field of Classification Search** D11/1,
D11/2, 3, 4, 5, 6, 7, 40, 43, 52, 53, 54, 55,
D11/79-87, 95-103, 110, 116; 63/37, 12,
63/13, 14.1, 14.2, 15; D3/207
See application file for complete search history.

(56) **References Cited**

U.S. PATENT DOCUMENTS

2,942,318 A * 6/1960 Charles 63/39
D188,687 S * 8/1960 Slayton D11/86
D251,478 S * 4/1979 Boden D8/383

D367,222 S * 2/1996 Ikeda D8/383
5,979,184 A * 11/1999 Razza 63/1.11
D497,120 S * 10/2004 Chia et al. D11/93
D518,405 S * 4/2006 Stern D11/86
D536,267 S * 2/2007 Vigil et al. D10/38
7,712,332 B2 * 5/2010 Wright 63/3

* cited by examiner

Primary Examiner — Cathron Brooks

Assistant Examiner — Melanie Levy

(74) *Attorney, Agent, or Firm* — Ladas & Parry

(57) **CLAIM**

I claim the ornamental design for a jewellery bead, as shown.

DESCRIPTION

FIG. 1 is a perspective view from above of a jewellery bead showing my new design;

FIG. 2 is a perspective view from below thereof;

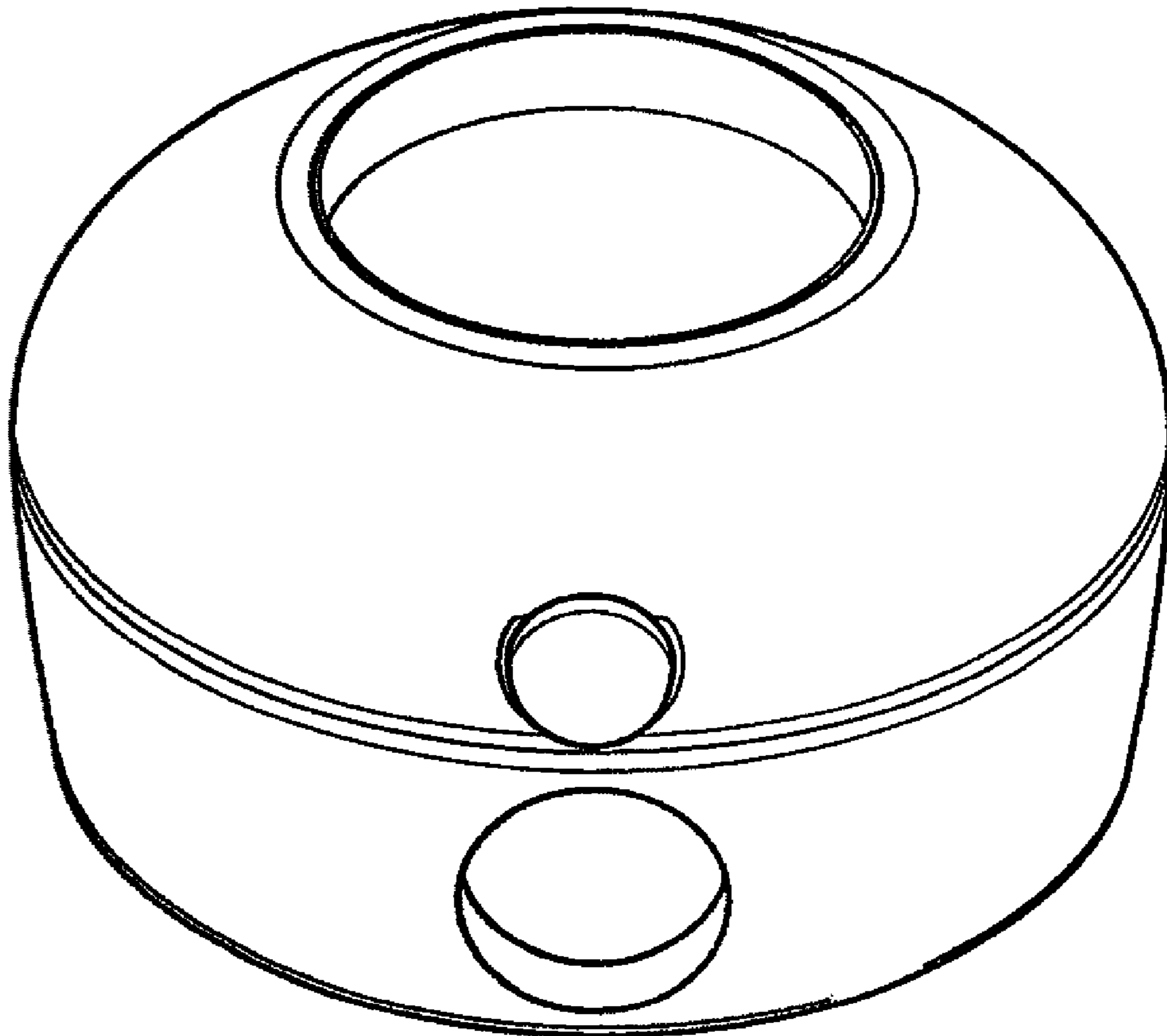
FIG. 3 is a top plan view thereof;

FIG. 4 is a bottom plan view thereof;

FIG. 5 is a side elevational view thereof; and,

FIG. 6 is a front elevational view thereof.

1 Claim, 2 Drawing Sheets



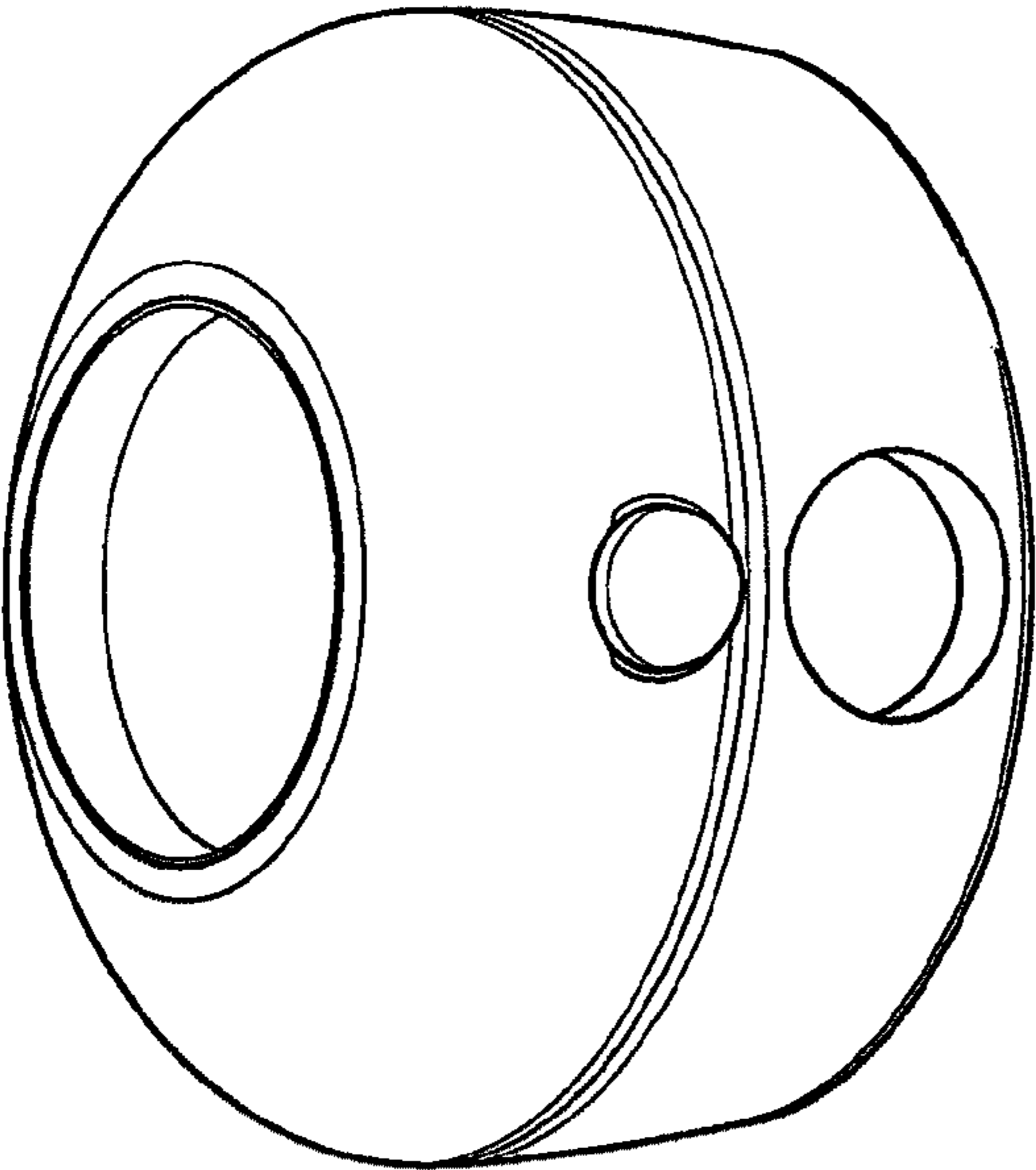


Figure 1

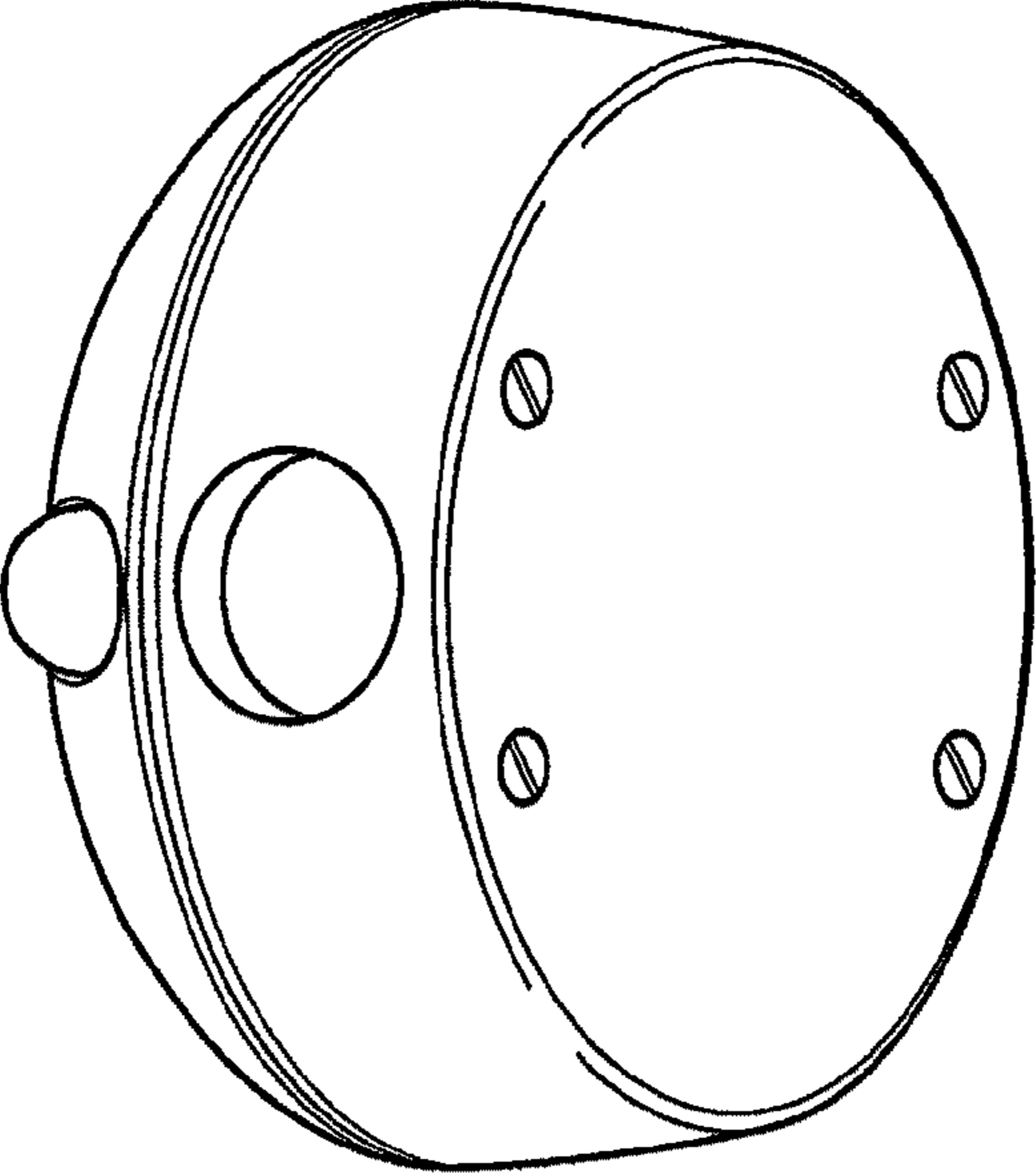


Figure 2

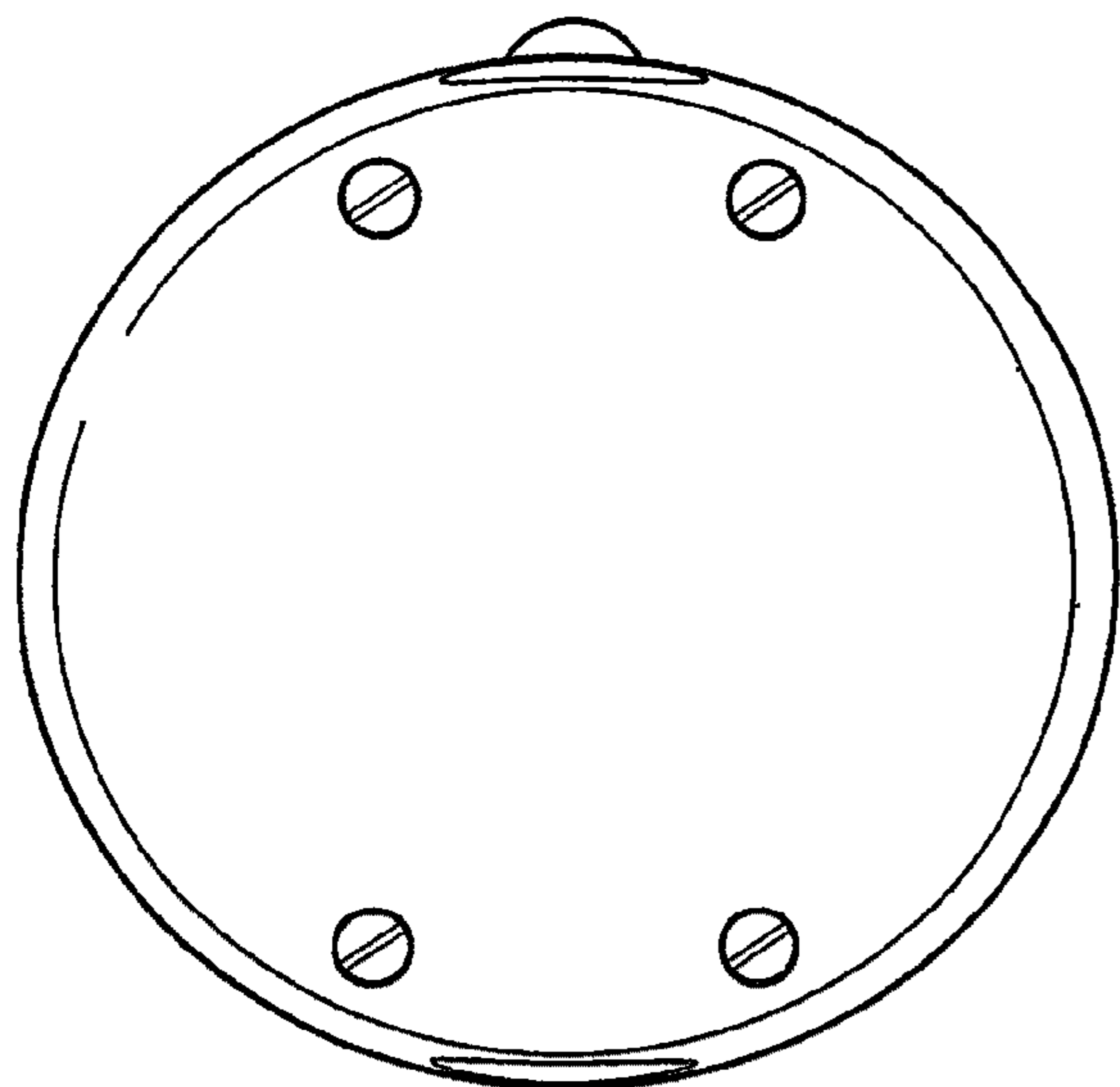


Figure 4

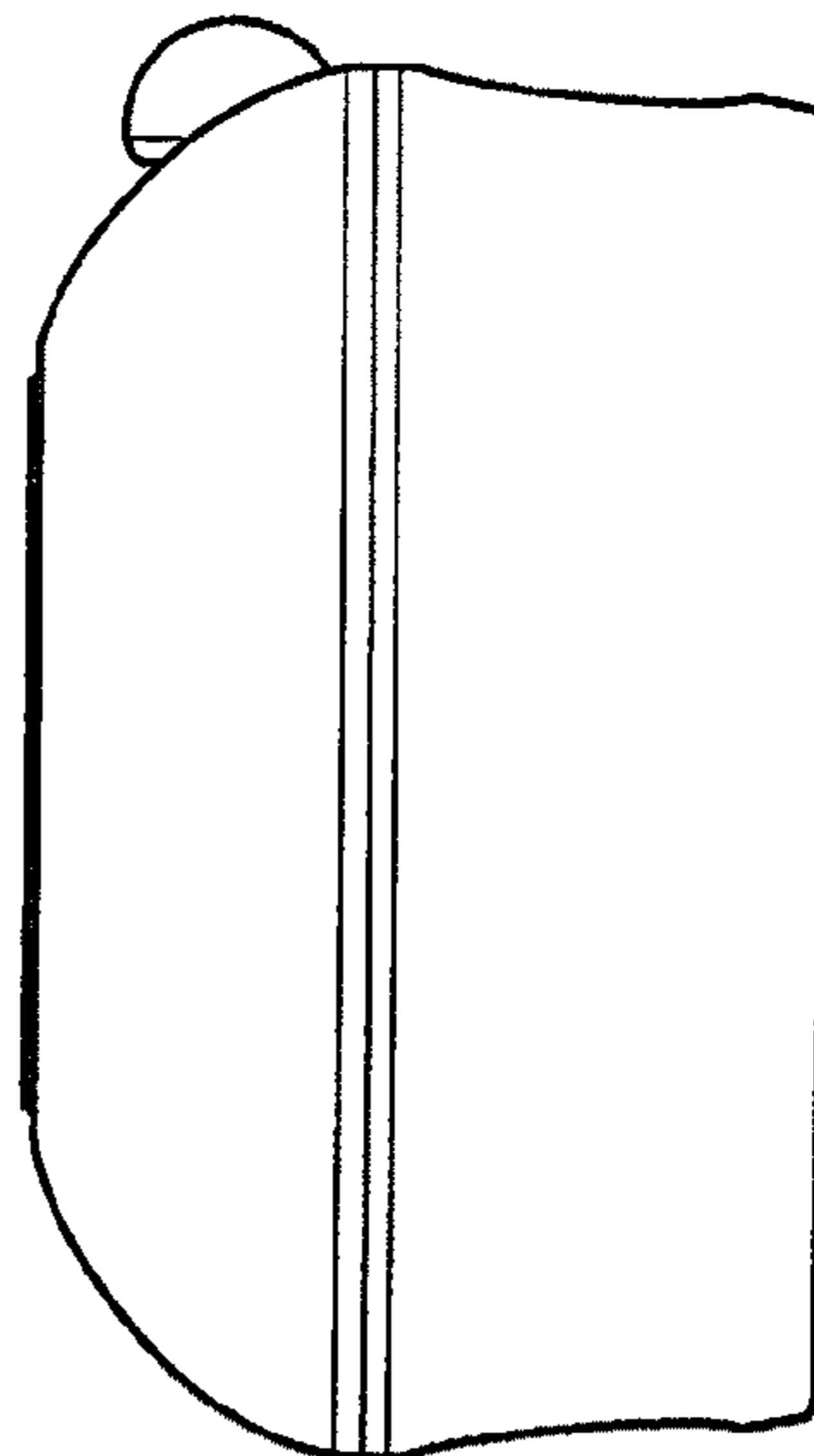


Figure 6

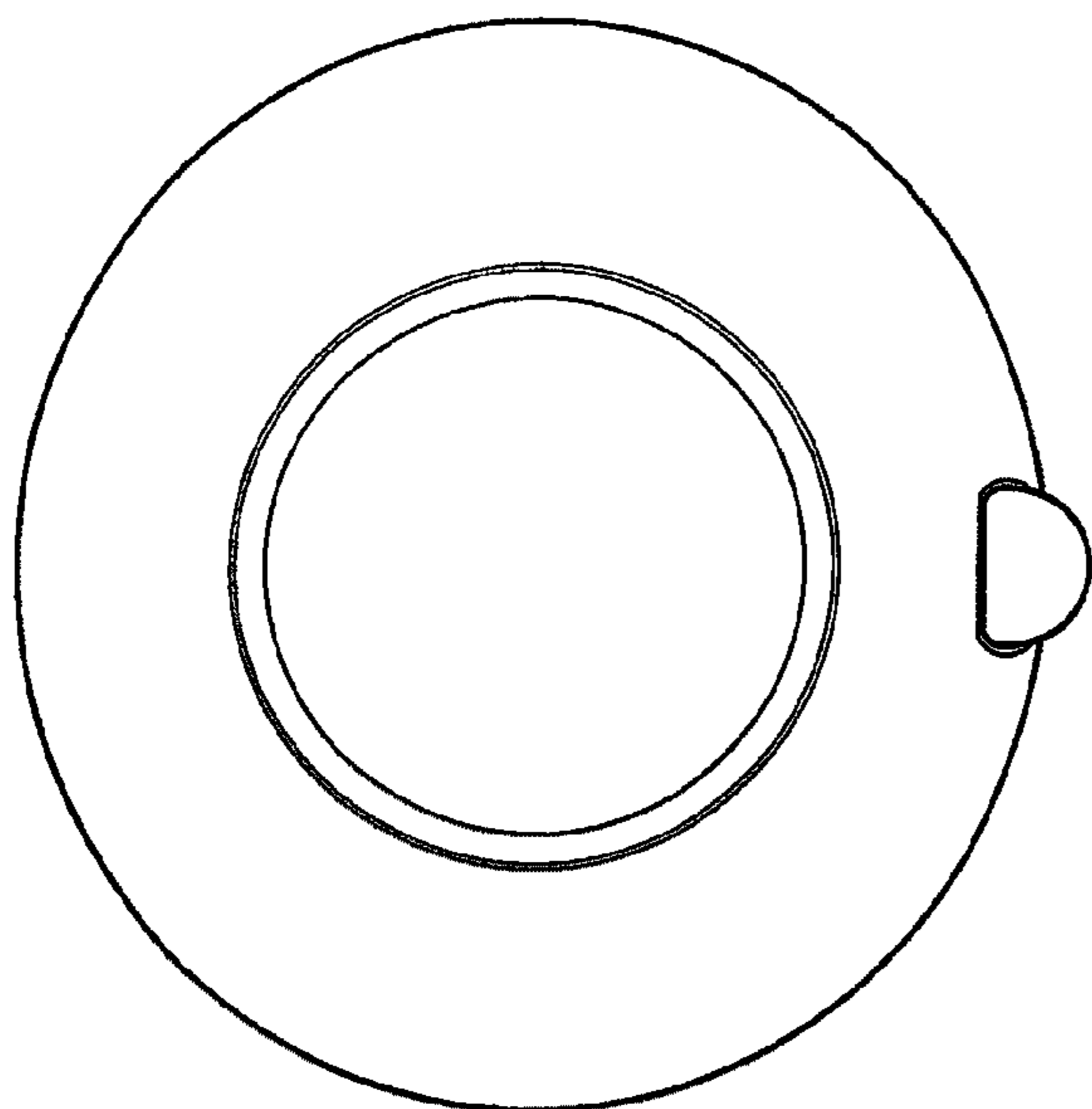


Figure 3

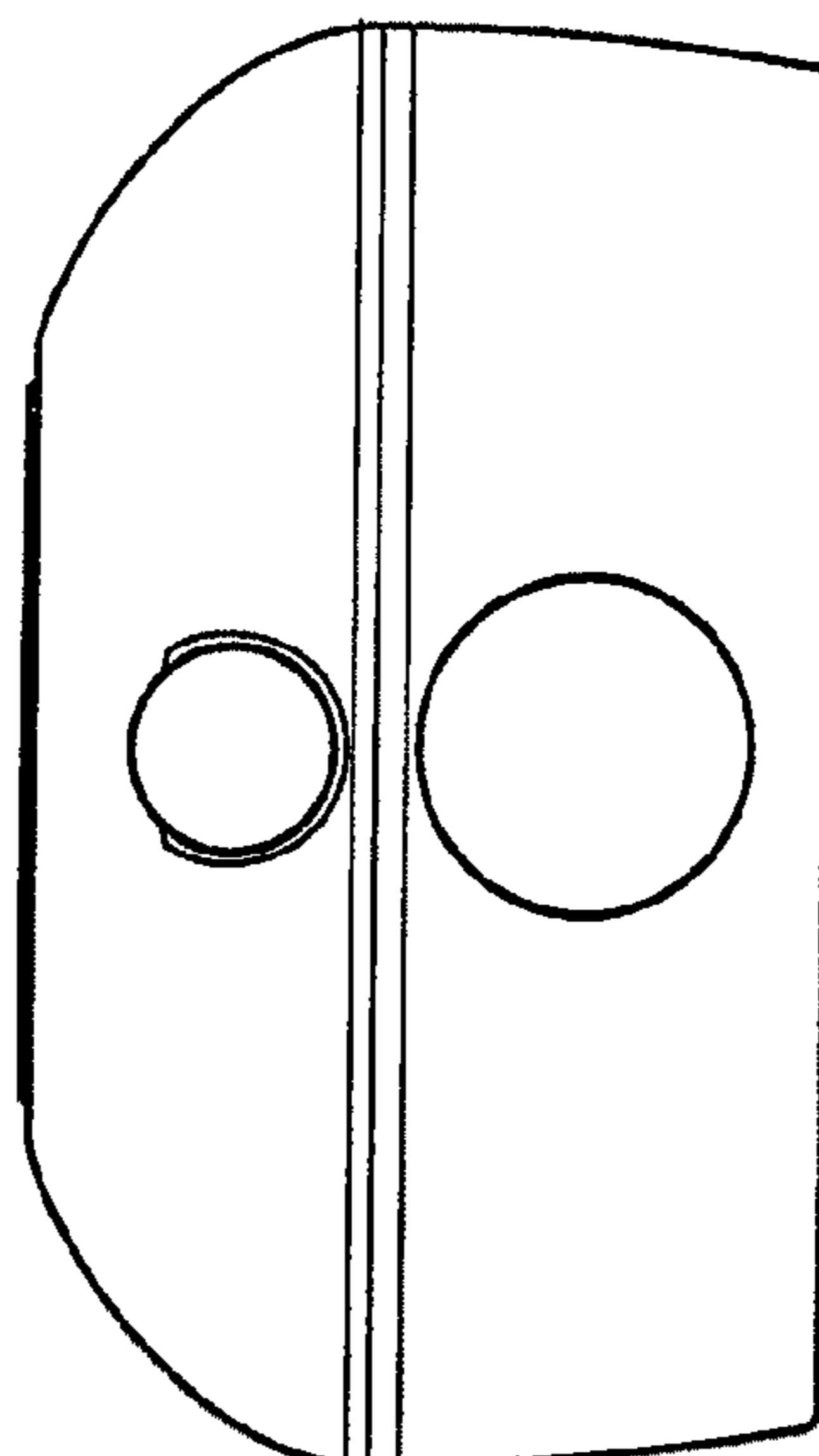


Figure 5