



US00D651108S

(12) **United States Design Patent**
Daniel

(10) **Patent No.:** **US D651,108 S**
(45) **Date of Patent:** **** Dec. 27, 2011**

(54) **SINGLE MODULE DEVICE FOR COVERT
ALARM LOCATOR APPARATUS**

(75) **Inventor:** **Isaac S. Daniel**, Miami, FL (US)

(73) **Assignee:** **F3M3 Companies, Inc.**, Miramar, FL
(US)

(**) **Term:** **14 Years**

(21) **Appl. No.:** **29/315,924**

(22) **Filed:** **Aug. 6, 2009**

(51) **LOC (9) Cl.** **10-05**

(52) **U.S. Cl.** **D10/104.1**

(58) **Field of Classification Search** D10/104.1;
D14/346, 138 AA, 218; 455/456.1

See application file for complete search history.

(56) **References Cited**

U.S. PATENT DOCUMENTS

D464,033 S * 10/2002 Piano-Poirier D14/144
D586,249 S * 2/2009 Elsemore D10/104.1
D620,468 S * 7/2010 Kim et al. D14/138 AA
7,751,832 B2 * 7/2010 Bartkowski 455/456.1

* cited by examiner

Primary Examiner — Caron D Veynar

Assistant Examiner — George D Kirschbaum

(74) *Attorney, Agent, or Firm* — Carol N Green, Esq.

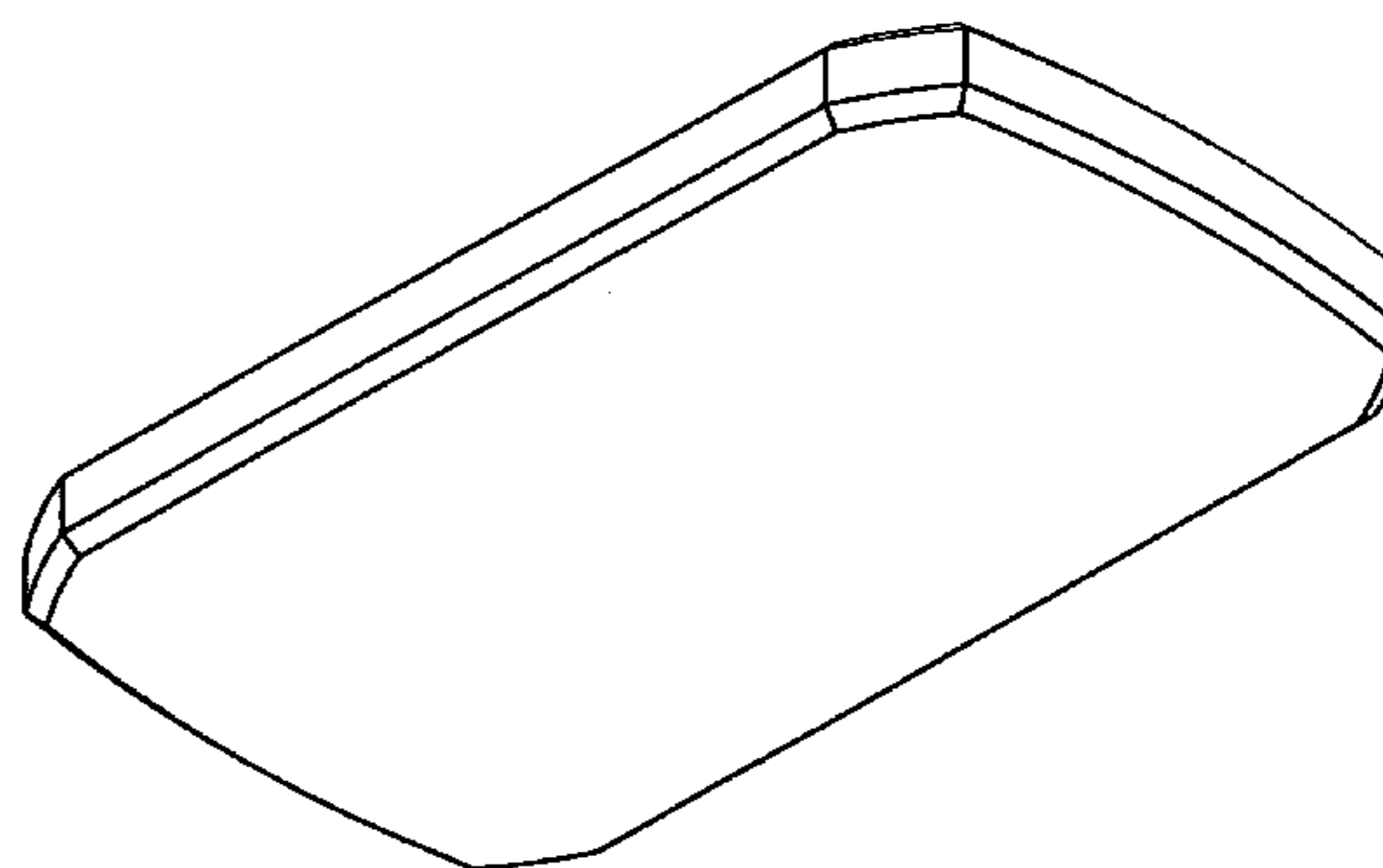
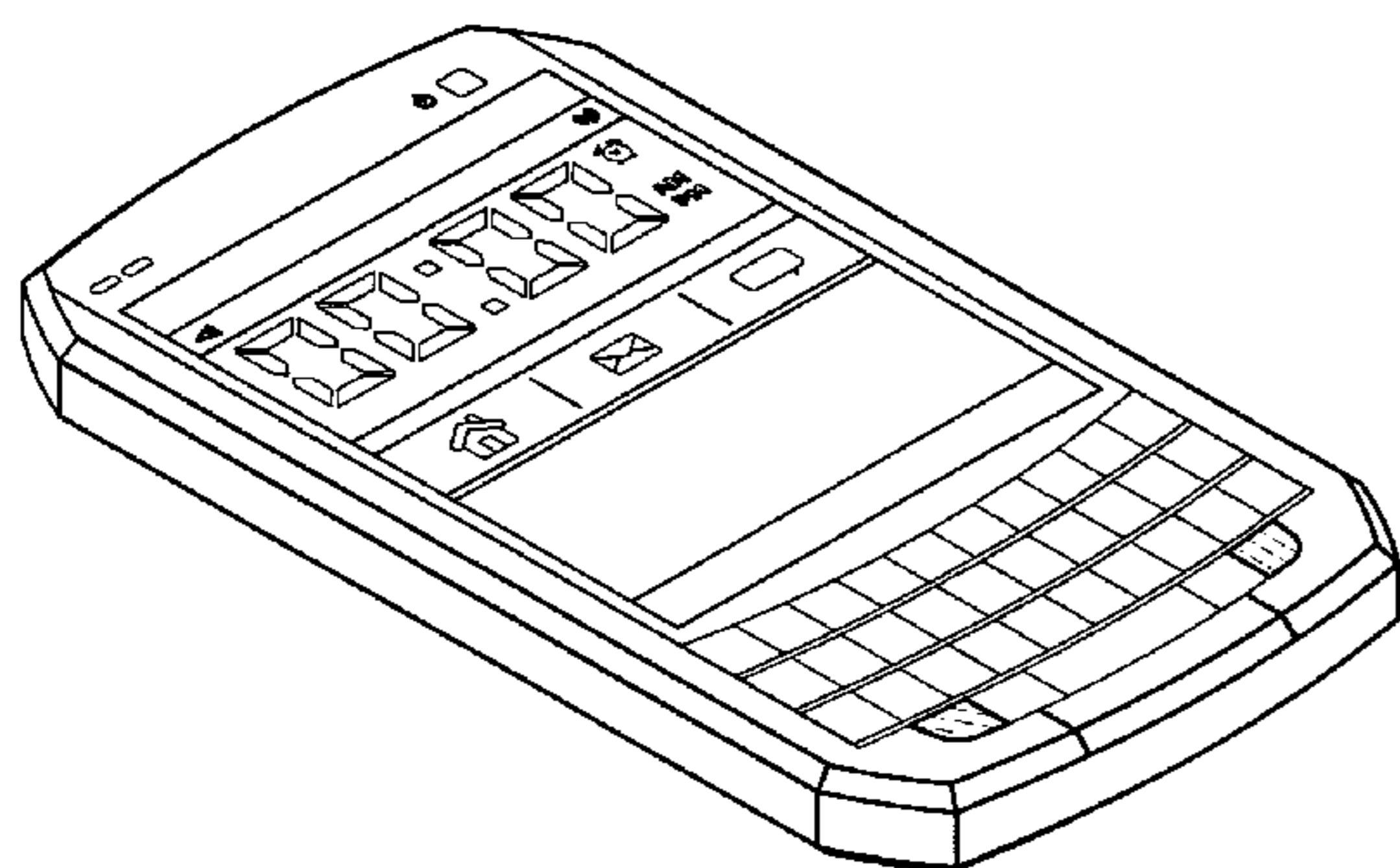
(57) **CLAIM**

The ornamental design for a single module device for covert alarm locator apparatus, as shown and described.

DESCRIPTION

FIG. 1 is a top perspective view of the invention.
FIG. 2 is a bottom perspective view of the invention.
FIG. 3 is a top plan view of the invention.
FIG. 4 is a bottom plan view of the invention.
FIG. 5 is a left or right side view of the invention; and,
FIG. 6 is a front or back elevation view of the invention.

1 Claim, 3 Drawing Sheets



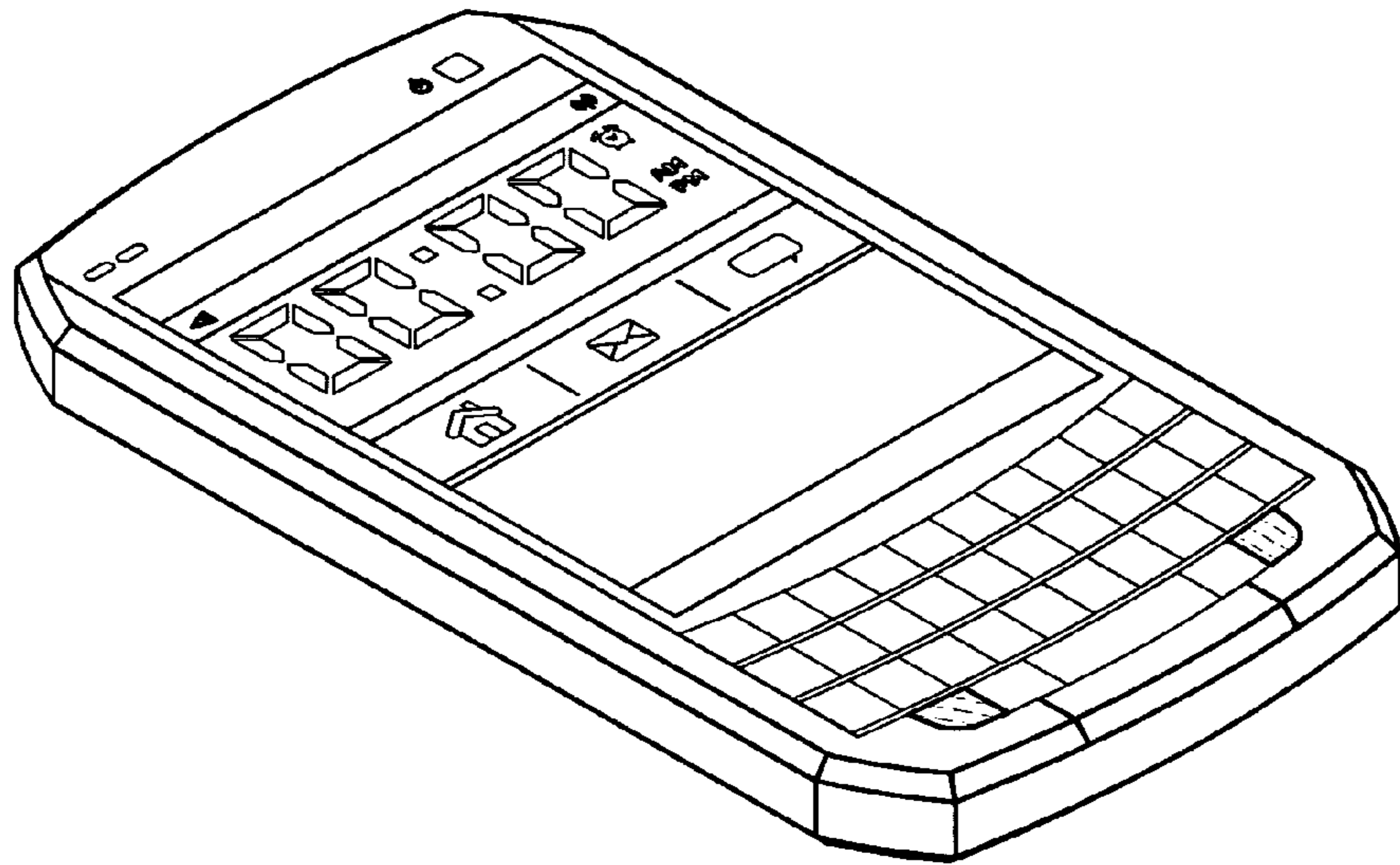


FIG. 1

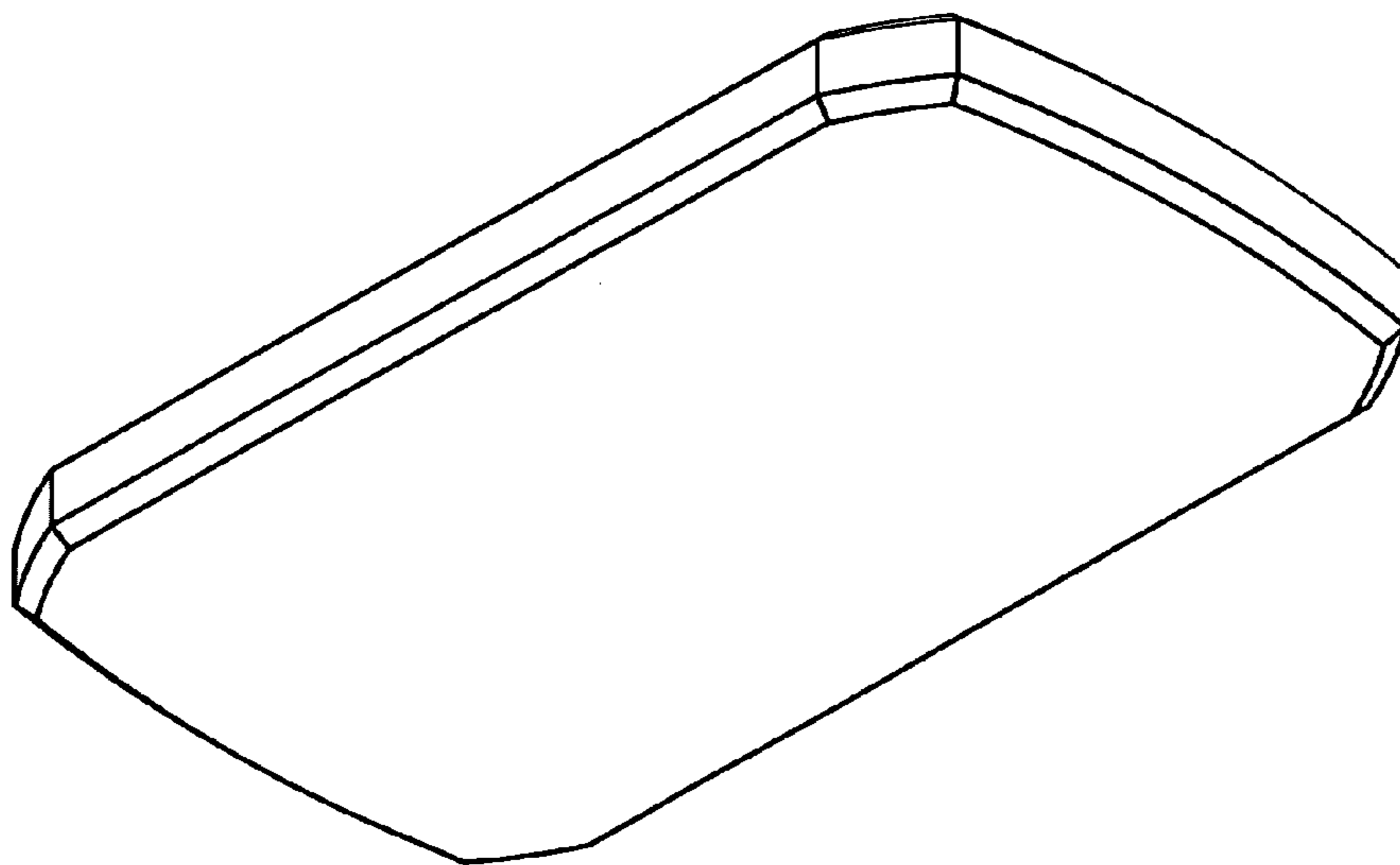


FIG. 2

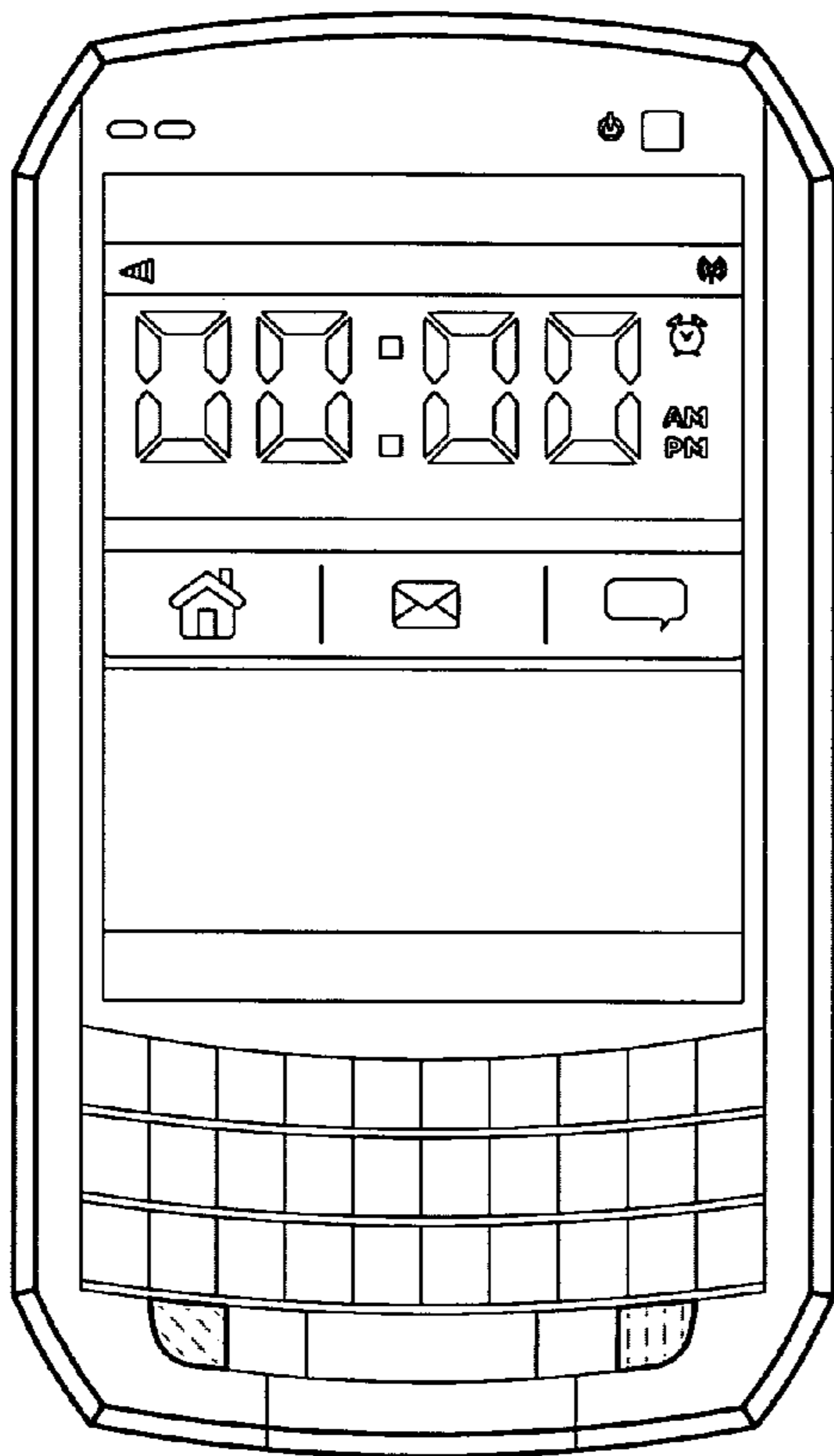


FIG. 3

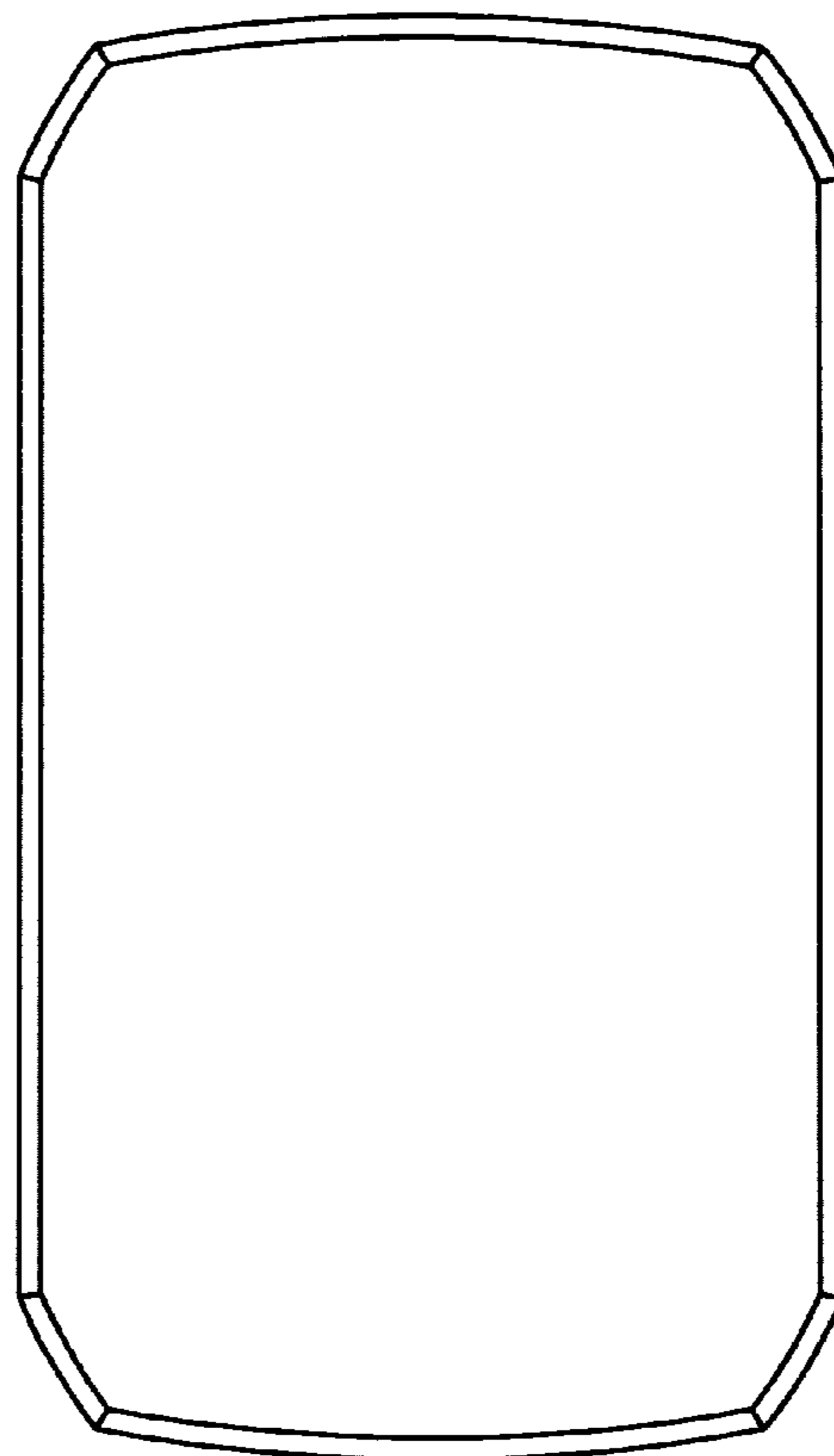


FIG. 4

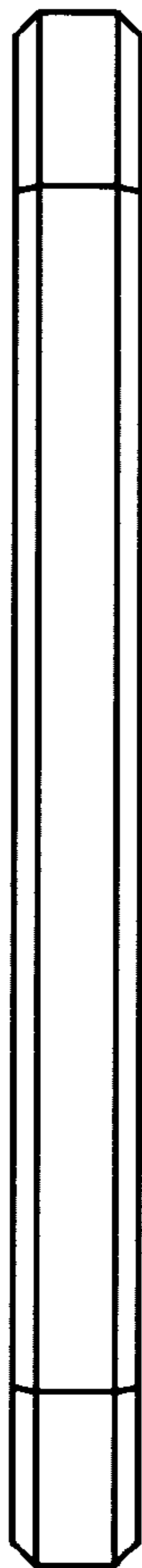


FIG. 5

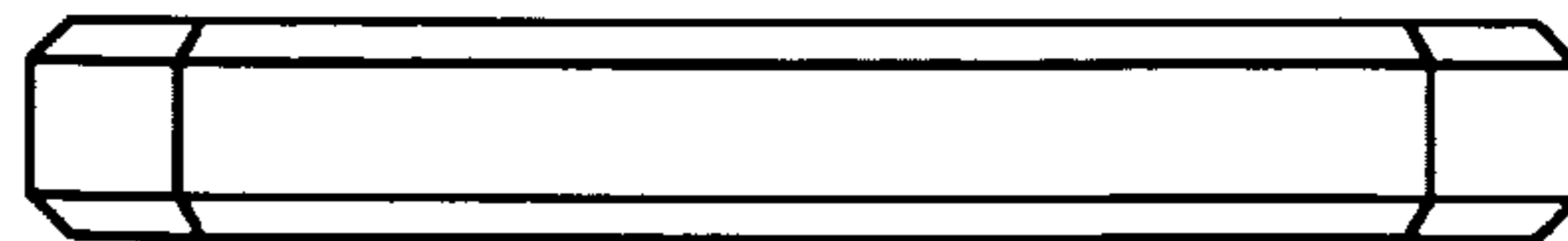


FIG. 6