



US00D651104S

(12) **United States Design Patent**
Mori et al.

(10) **Patent No.:** **US D651,104 S**
(45) **Date of Patent:** **** Dec. 27, 2011**

(54) **PHOTOELECTRIC SENSOR**

(75) Inventors: **Toshihiro Mori**, Takatsuki (JP); **Yutaka Takaoka**, Toyota (JP); **Keisuke Suga**, Toyota (JP)

(73) Assignees: **Hokuyo Automatic Co., Ltd.**, Osaka (JP); **Toyota Jidosha Kabushiki Kaisha**, Toyota (JP)

(**) Term: **14 Years**

(21) Appl. No.: **29/367,655**

(22) Filed: **Aug. 11, 2010**

(30) **Foreign Application Priority Data**

Feb. 15, 2010 (JP) 2010-003332

(51) **LOC (9) Cl.** **10-04**

(52) **U.S. Cl.** **D10/70**

(58) **Field of Classification Search** D10/70;
250/214 R, 221, 222.1, 239, 216, 234, 214 A,
250/205, 353; 356/425, 616

See application file for complete search history.

(56) **References Cited**

U.S. PATENT DOCUMENTS

D333,629	S	*	3/1993	Johnson	D10/80
5,879,626	A	*	3/1999	Watterson et al.	359/509
7,057,152	B2	*	6/2006	Gondo et al.	250/221
D620,821	S	*	8/2010	Driver	D10/70
D625,632	S	*	10/2010	Takahara et al.	D10/70
2009/0095889	A1	*	4/2009	Bender et al.	250/221
2010/0258711	A1	*	10/2010	Wang et al.	250/221

* cited by examiner

Primary Examiner — Antoine D Davis

(74) *Attorney, Agent, or Firm* — Oliff & Berridge, PLC

(57) **CLAIM**

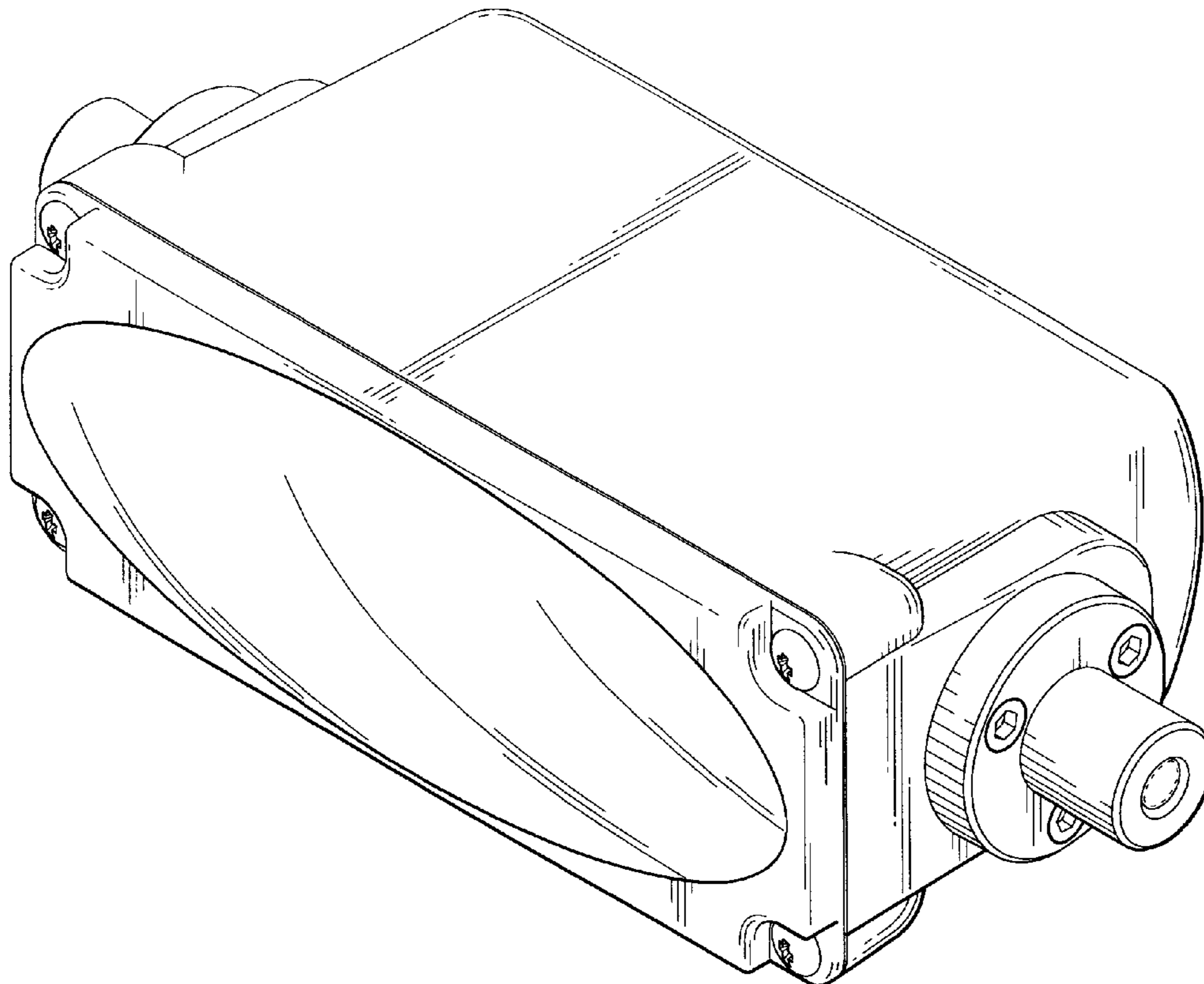
The ornamental design for a photoelectric sensor, as shown and described.

DESCRIPTION

FIG. 1 is a perspective view of a photoelectric sensor;
FIG. 2 is a front view thereof;
FIG. 3 is a top view thereof;
FIG. 4 is a right-side view thereof;
FIG. 5 is a left-side view thereof;
FIG. 6 is a rear view thereof; and,
FIG. 7 is a bottom view thereof.

The broken lines depict environmental subject matter only and form no part of the claimed design.

1 Claim, 6 Drawing Sheets



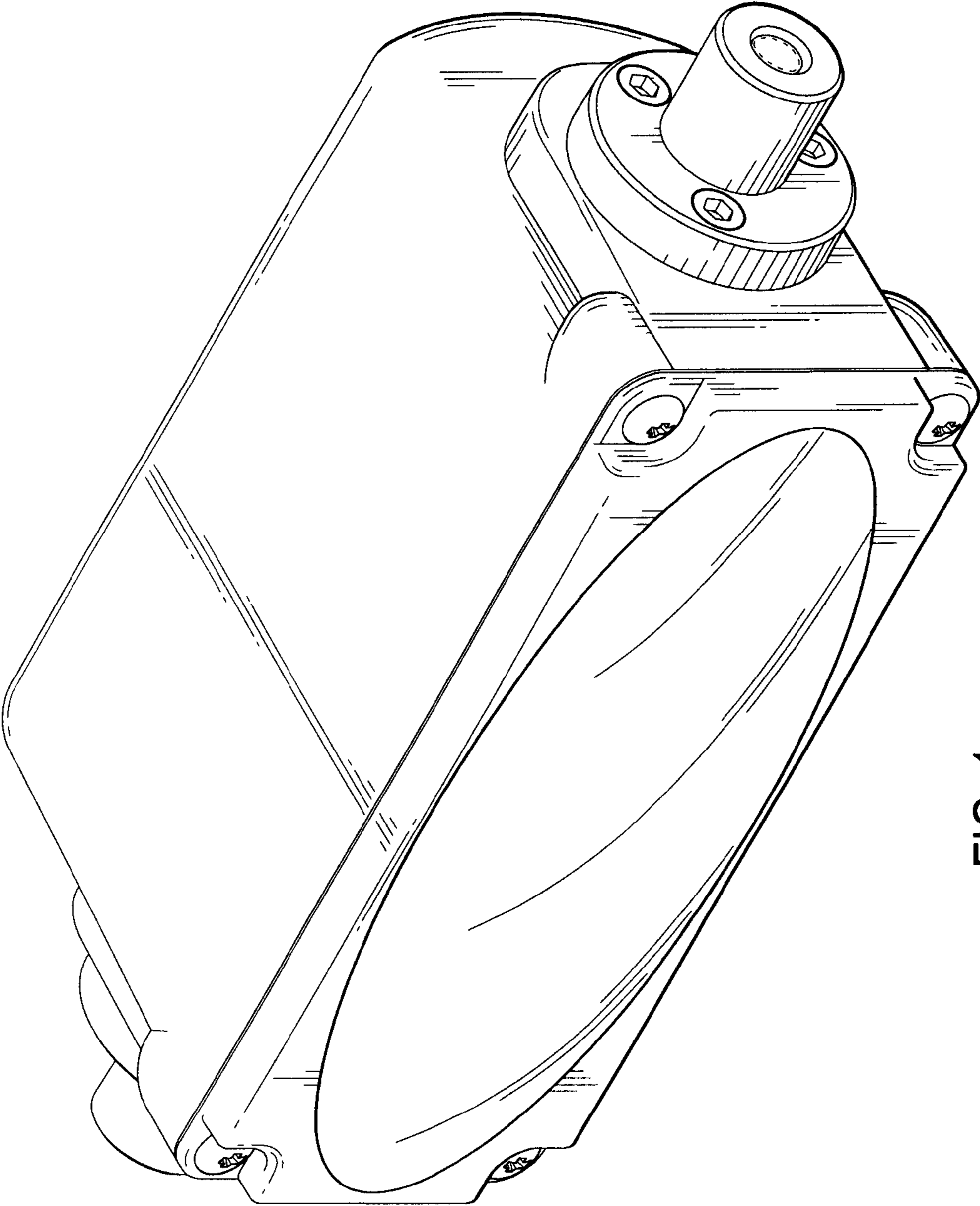


FIG. 1

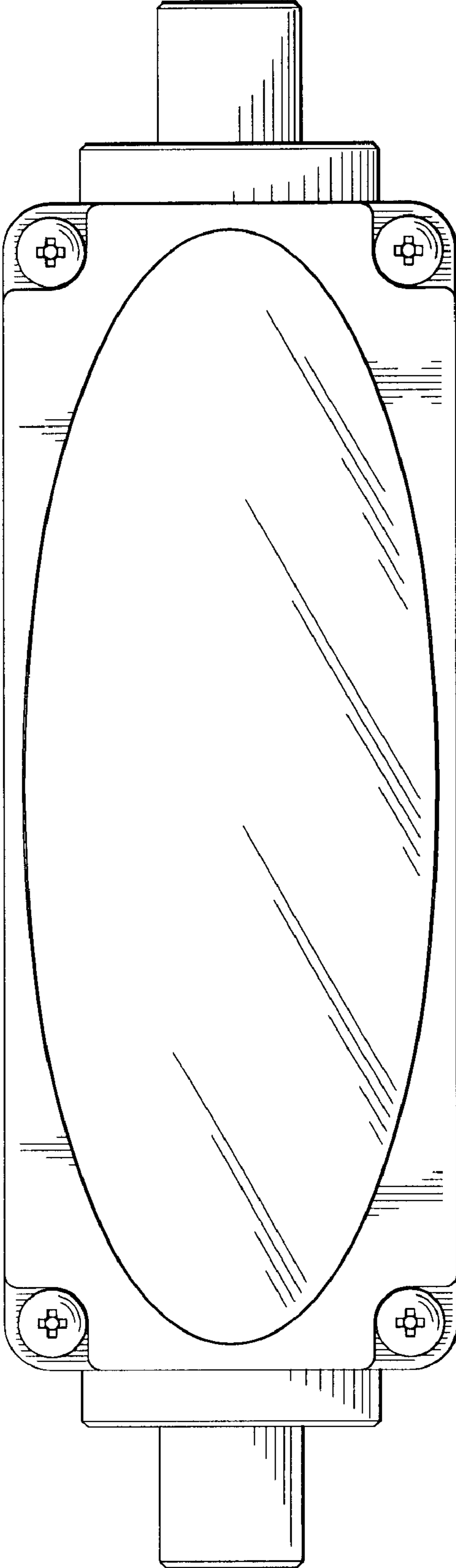


FIG. 2

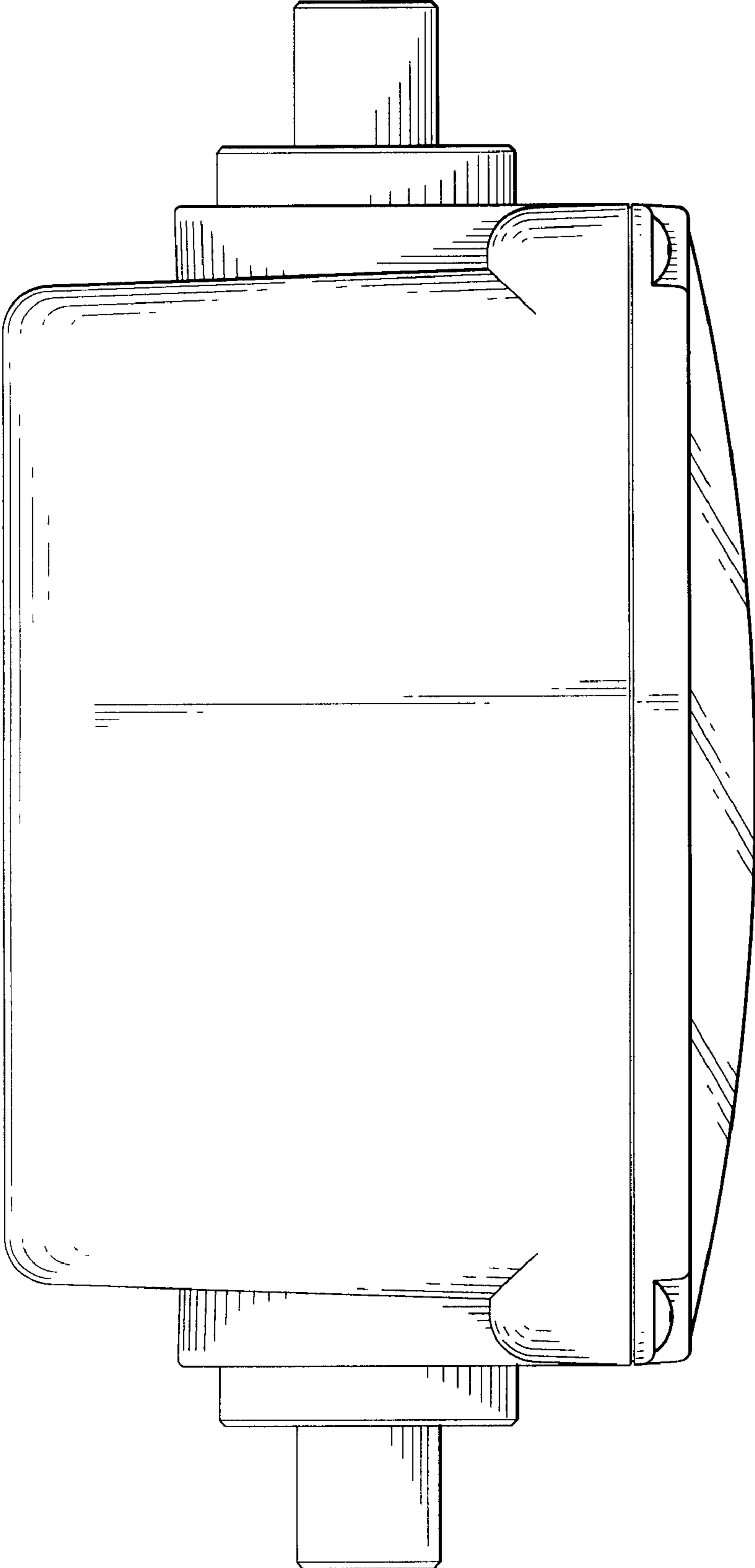


FIG. 3

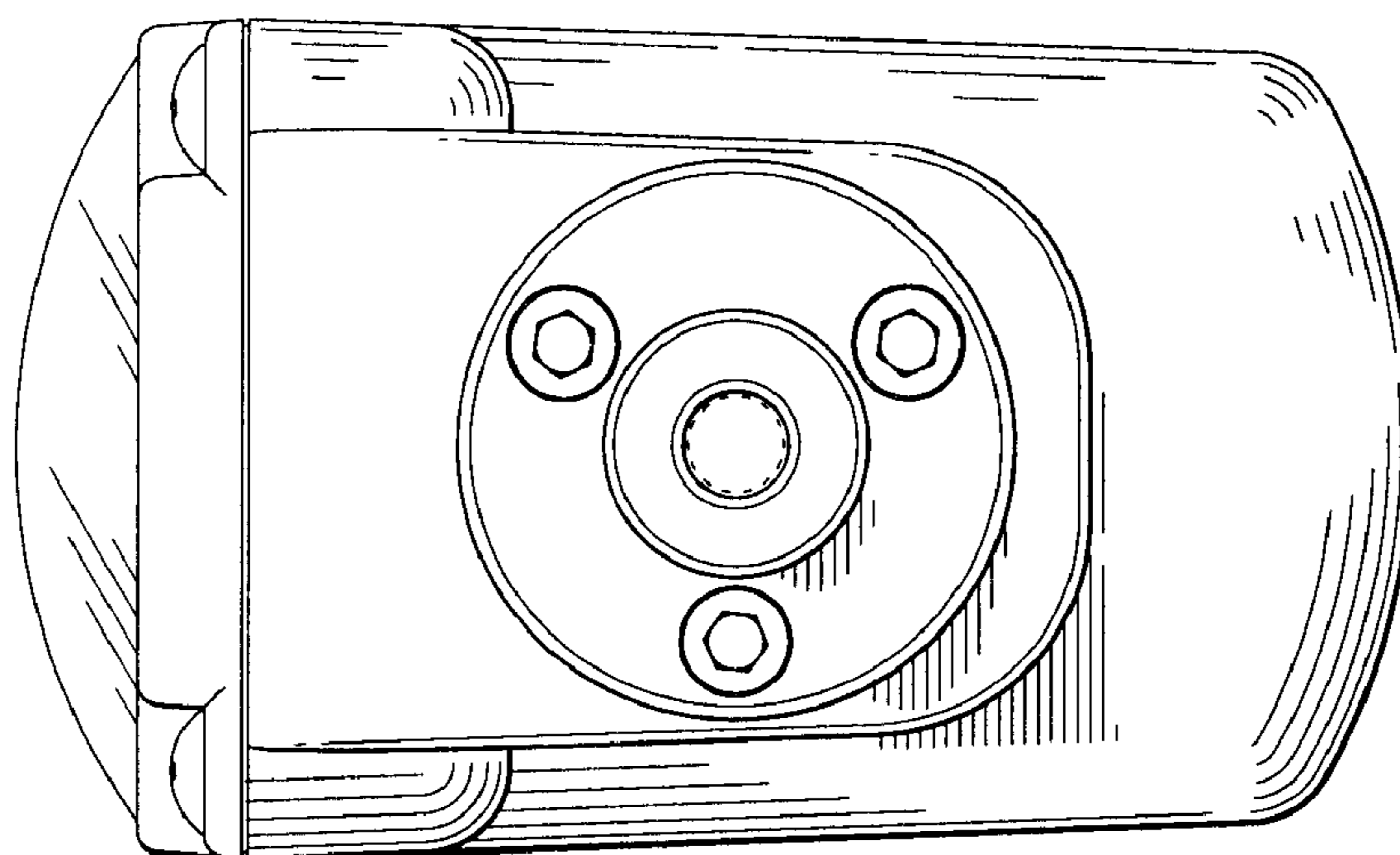


FIG. 4

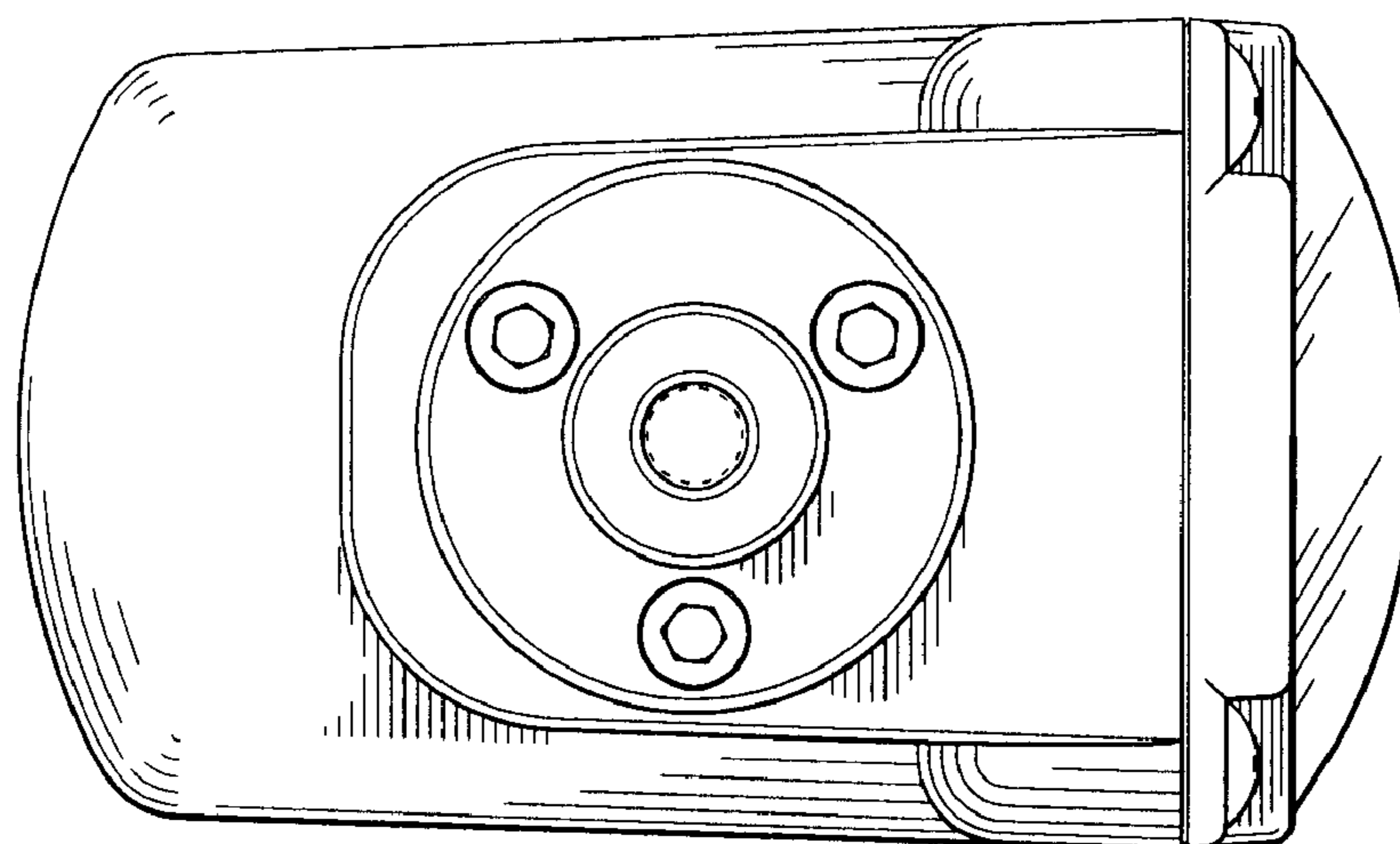


FIG. 5

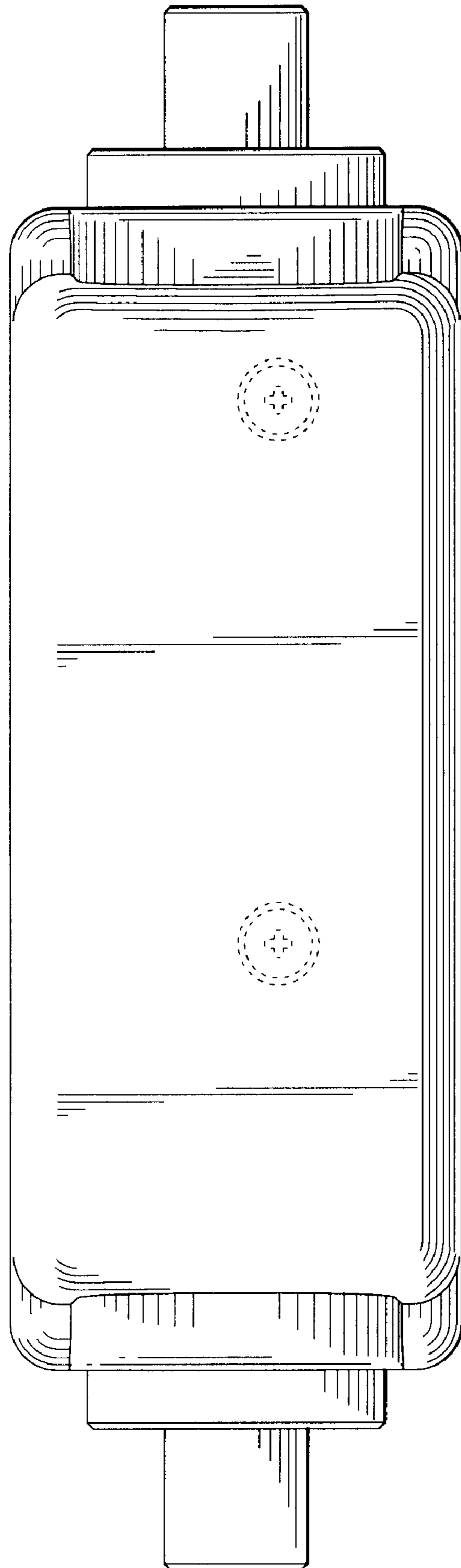


FIG. 6

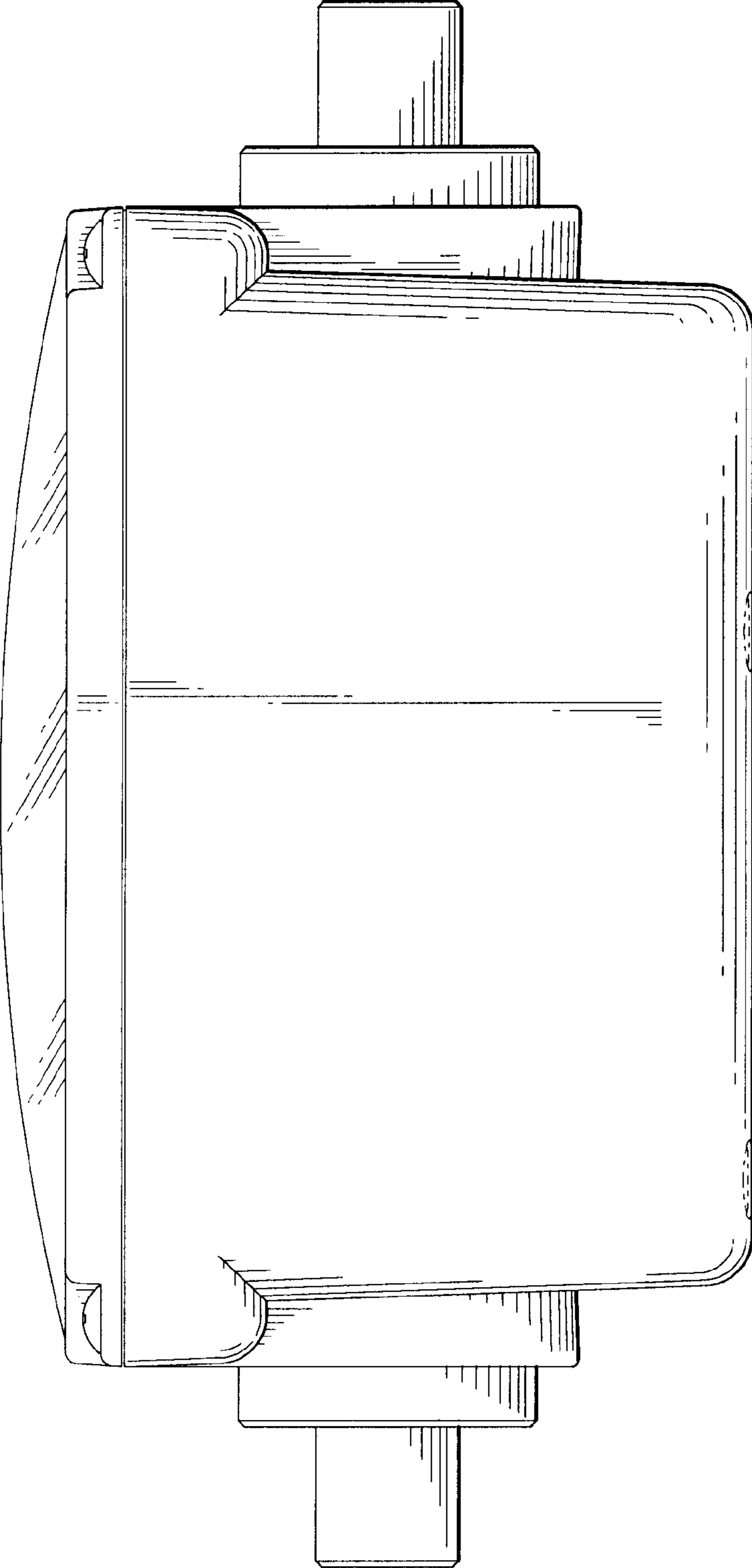


FIG. 7