



US00D651103S

(12) **United States Design Patent**
Greenberg et al.

(10) **Patent No.:** **US D651,103 S**

(45) **Date of Patent:** **** *Dec. 27, 2011**

(54) **WIRELESS ACCESS POINT**

(56) **References Cited**

(76) Inventors: **Andrew Greenberg**, Portland, OR (US);
Pedro Mateo Riobo Aboy, Beaverton,
OR (US); **James McNames**, Portland,
OR (US); **Stephen Dylan Berry**,
Beaverton, OR (US)

U.S. PATENT DOCUMENTS

4,672,590	A *	6/1987	Tendler	D10/70
D582,304	S *	12/2008	Hashino et al.	D10/70
D615,888	S *	5/2010	Ikeda et al.	D10/70
2010/0286940	A1 *	11/2010	Dohta	702/92
2010/0328319	A1 *	12/2010	Ikenoue	345/474

* cited by examiner

(*) Notice: This patent is subject to a terminal disclaimer.

Primary Examiner — Antoine D Davis
(74) *Attorney, Agent, or Firm* — Aboy & Associates, PC;
Mateo Aboy

(**) Term: **14 Years**

(57) **CLAIM**

We claim the ornamental design for a wireless access point, as shown and described.

(21) Appl. No.: **29/358,005**

DESCRIPTION

(22) Filed: **Mar. 21, 2010**

FIG. 1 is a top, front perspective view of a wireless access point showing the new design;
FIG. 2 is a front, rear perspective view thereof;
FIG. 3 is a front side view thereof;
FIG. 4 is a rear side view thereof;
FIG. 5 is a right side view thereof;
FIG. 6 is a left side view thereof;
FIG. 7 is a top view thereof; and,
FIG. 8 is a bottom view thereof.

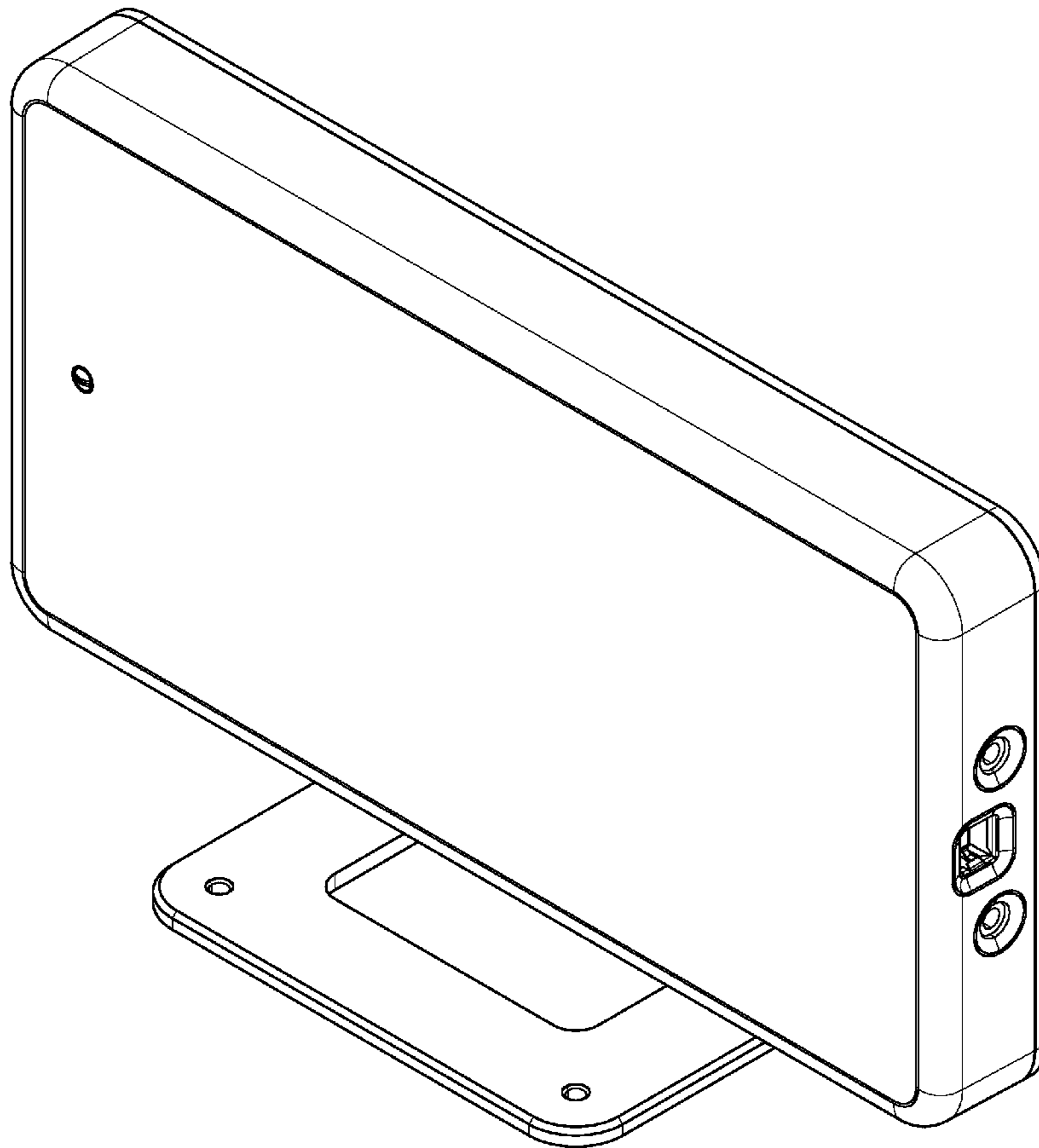
(51) **LOC (9) Cl.** **10-04**

(52) **U.S. Cl.** **D10/70**

(58) **Field of Classification Search** D10/70;
345/158, 184, 474; 700/250, 260; 701/220;
702/94, 127, 141, 150, 152

See application file for complete search history.

1 Claim, 8 Drawing Sheets



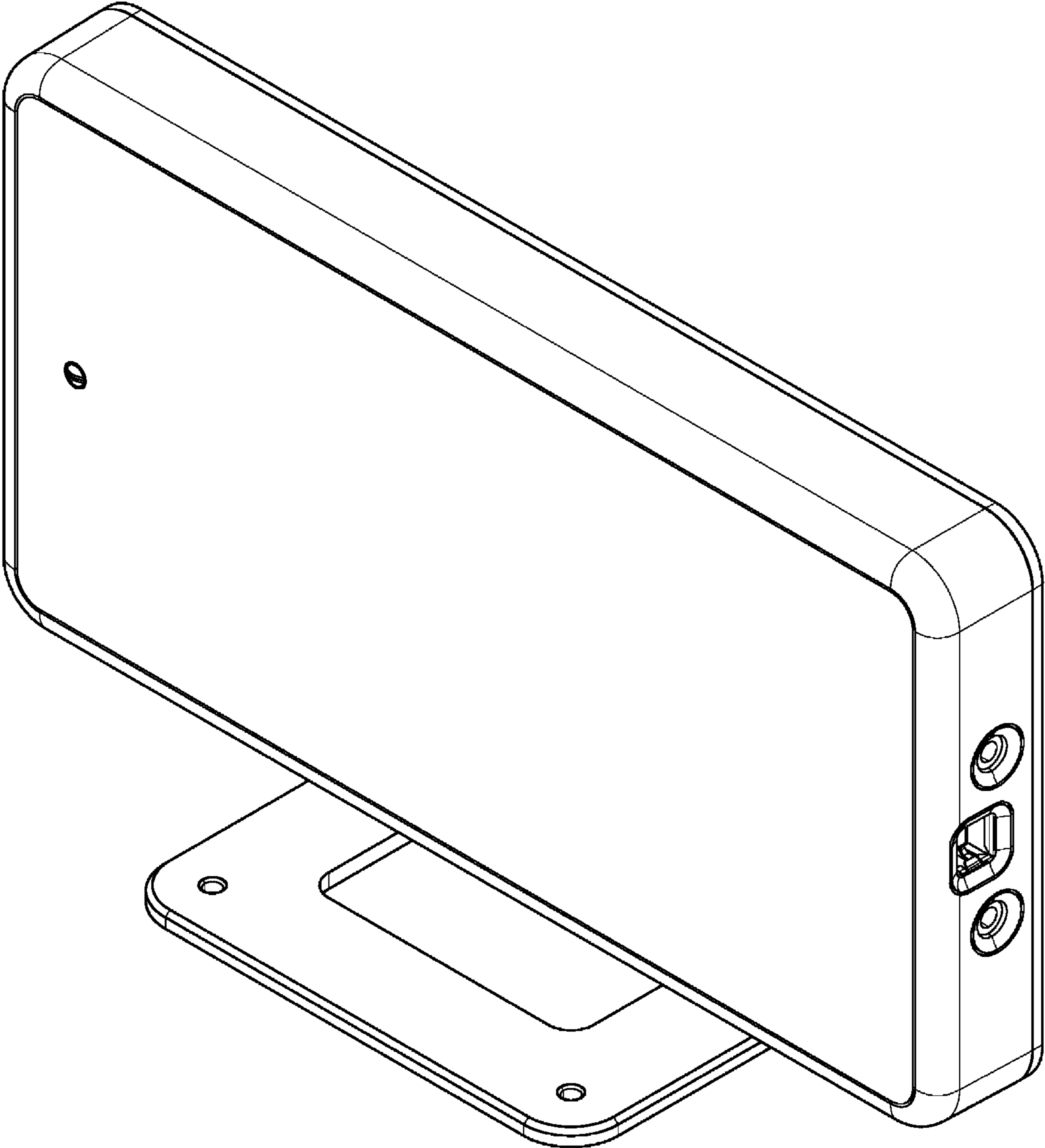


FIG. 1

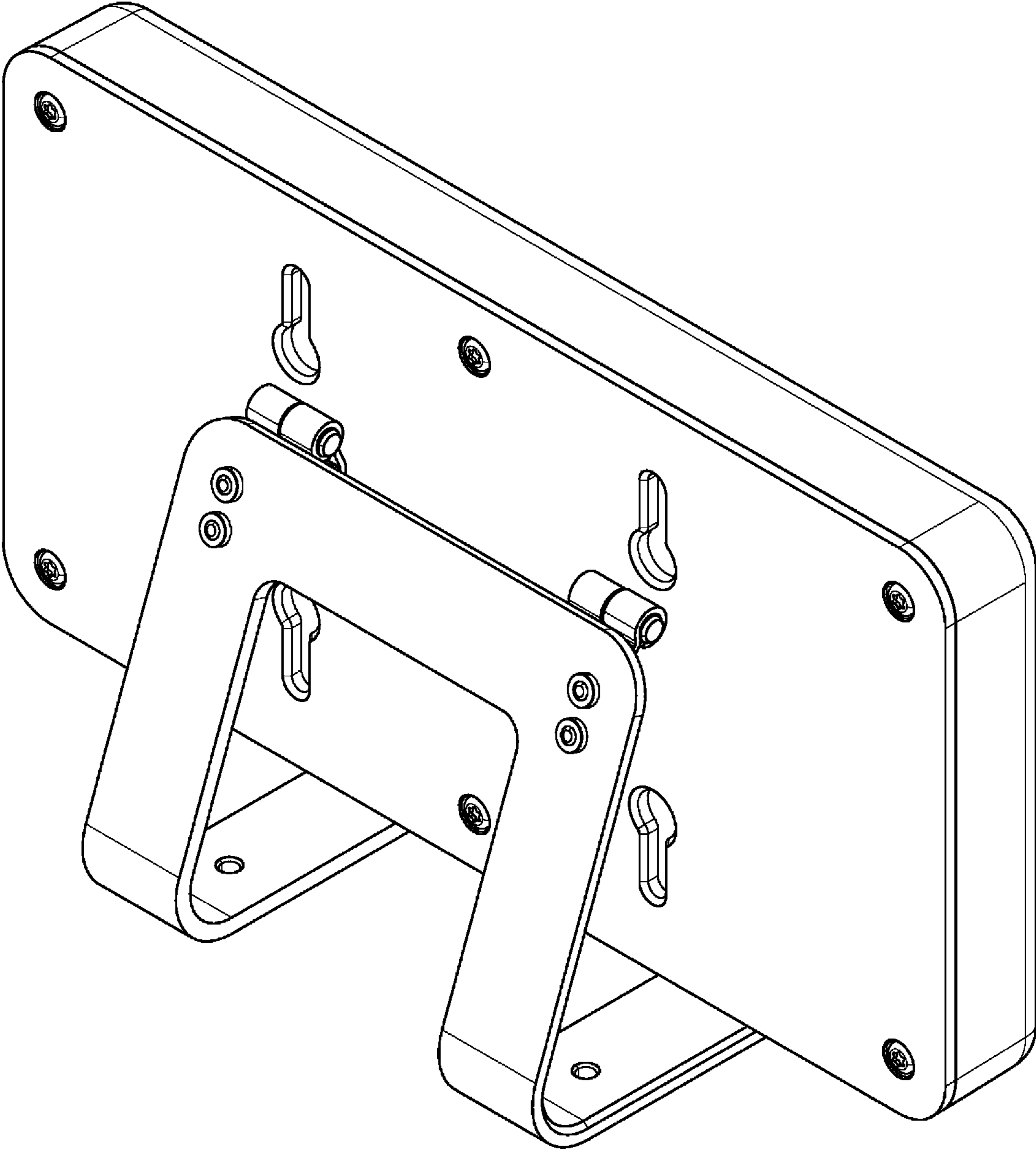


FIG.2

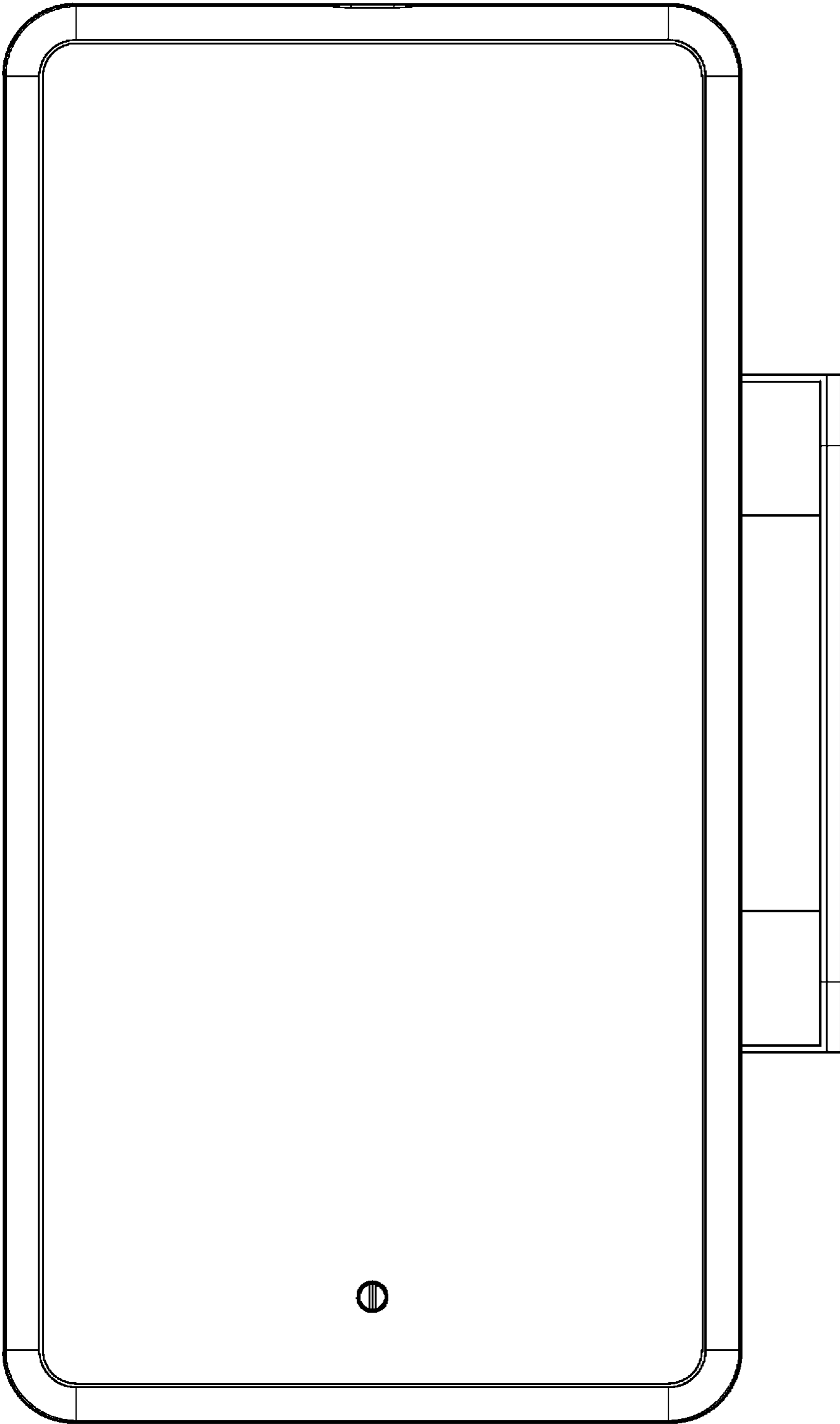


FIG.3

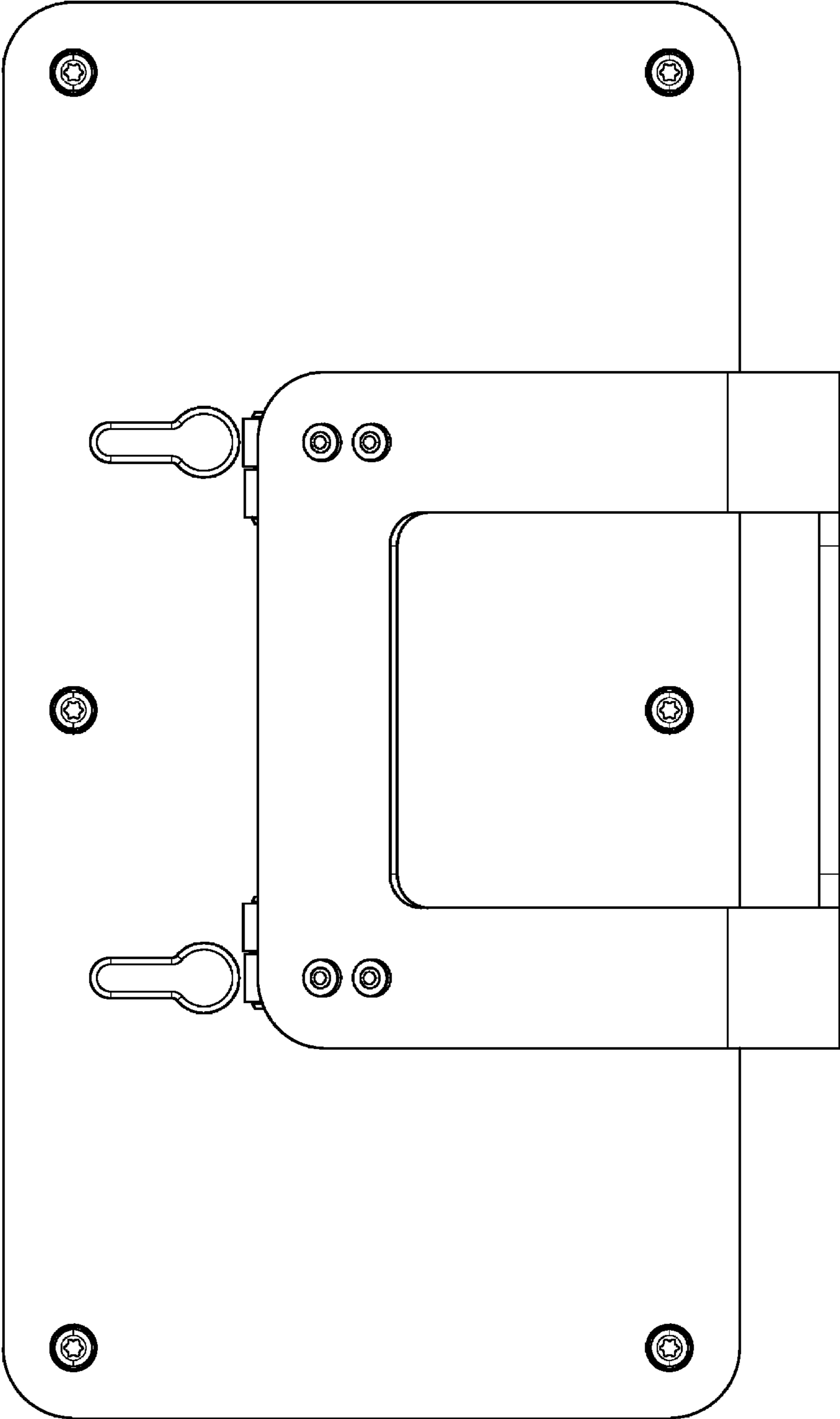


FIG.4

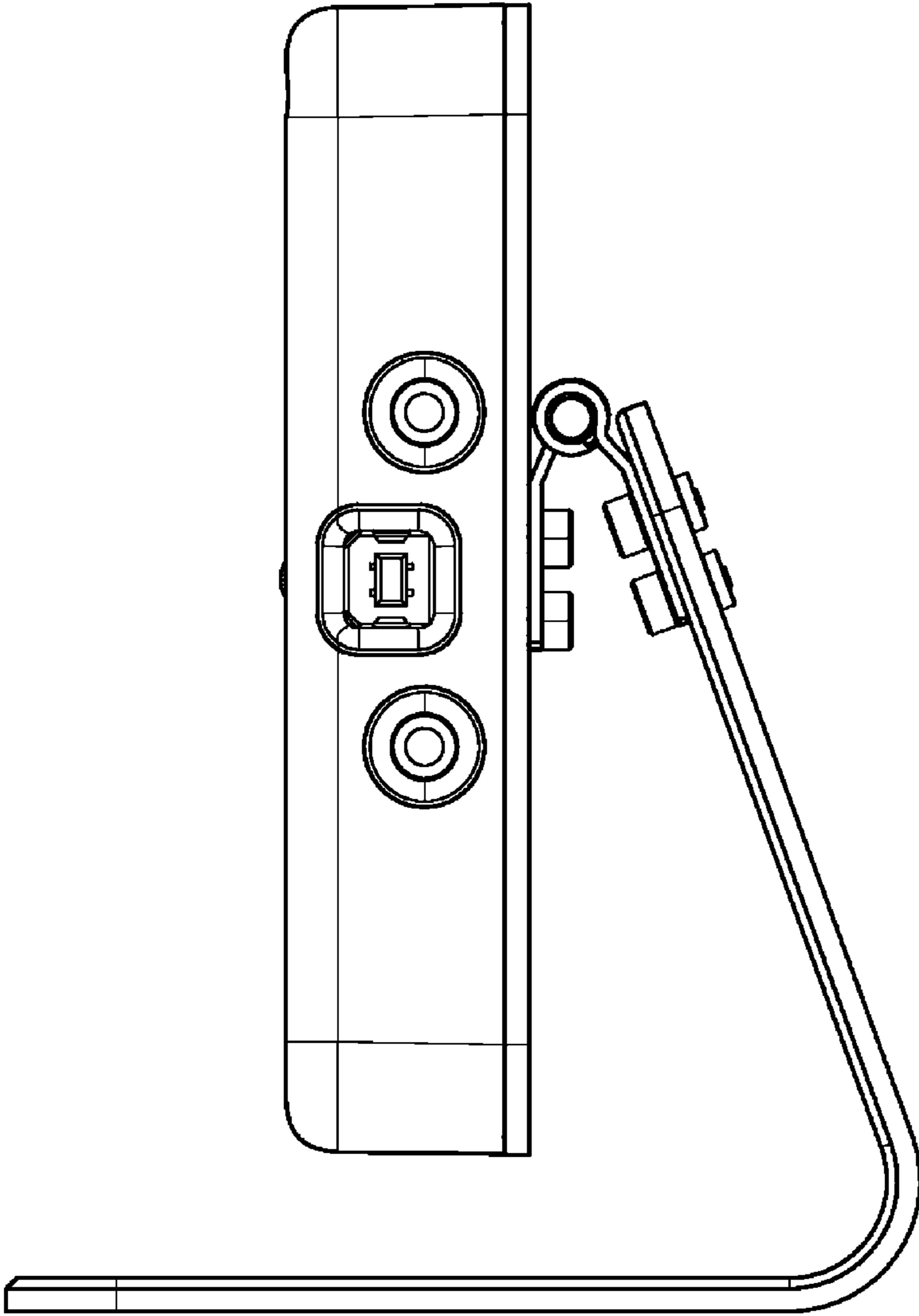


FIG.5

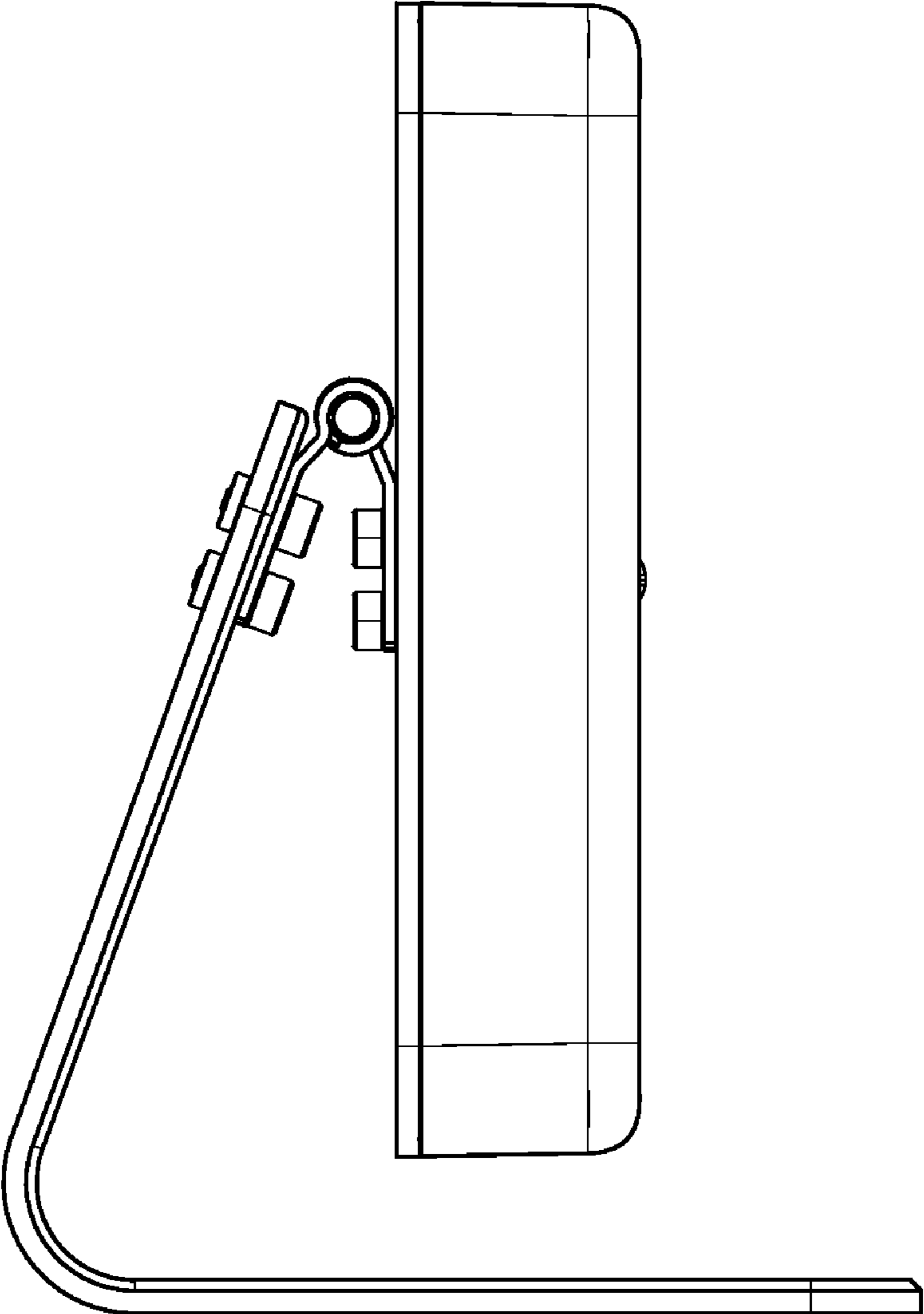


FIG.6

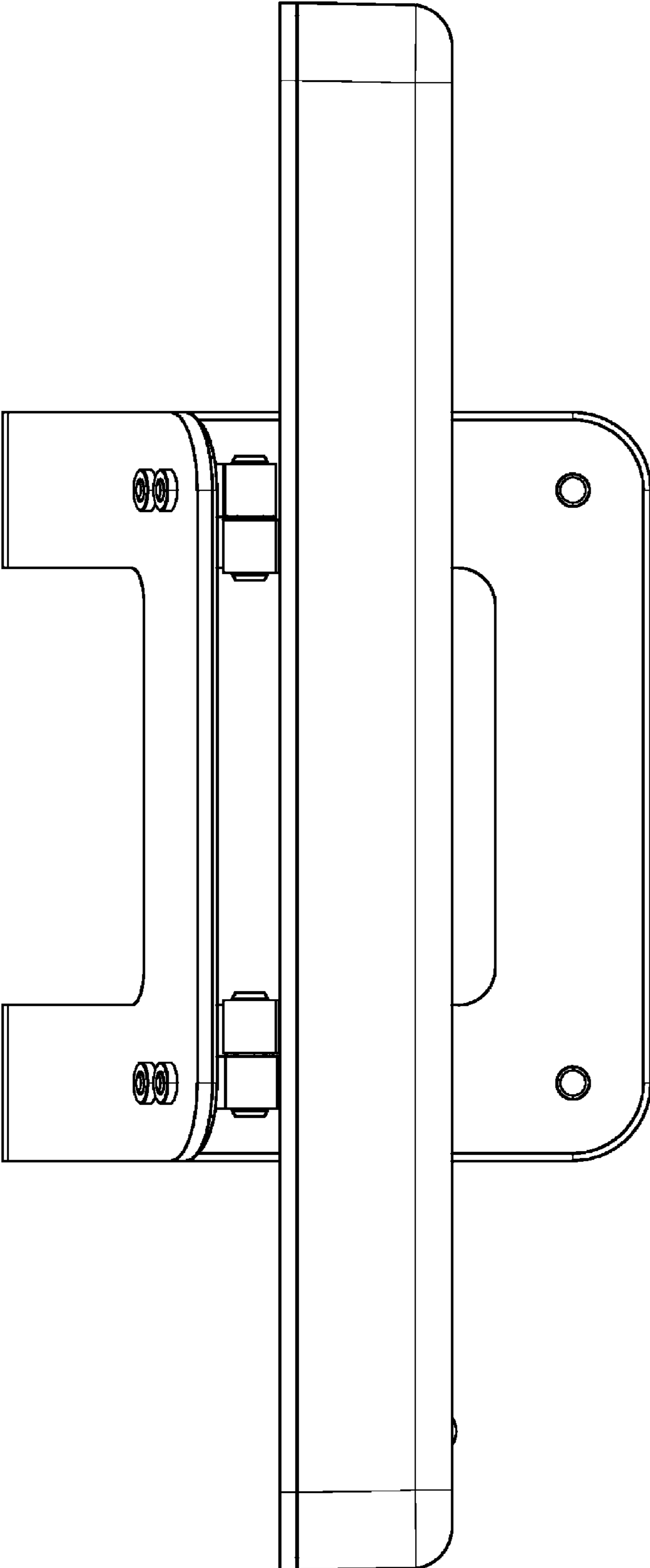


FIG.7

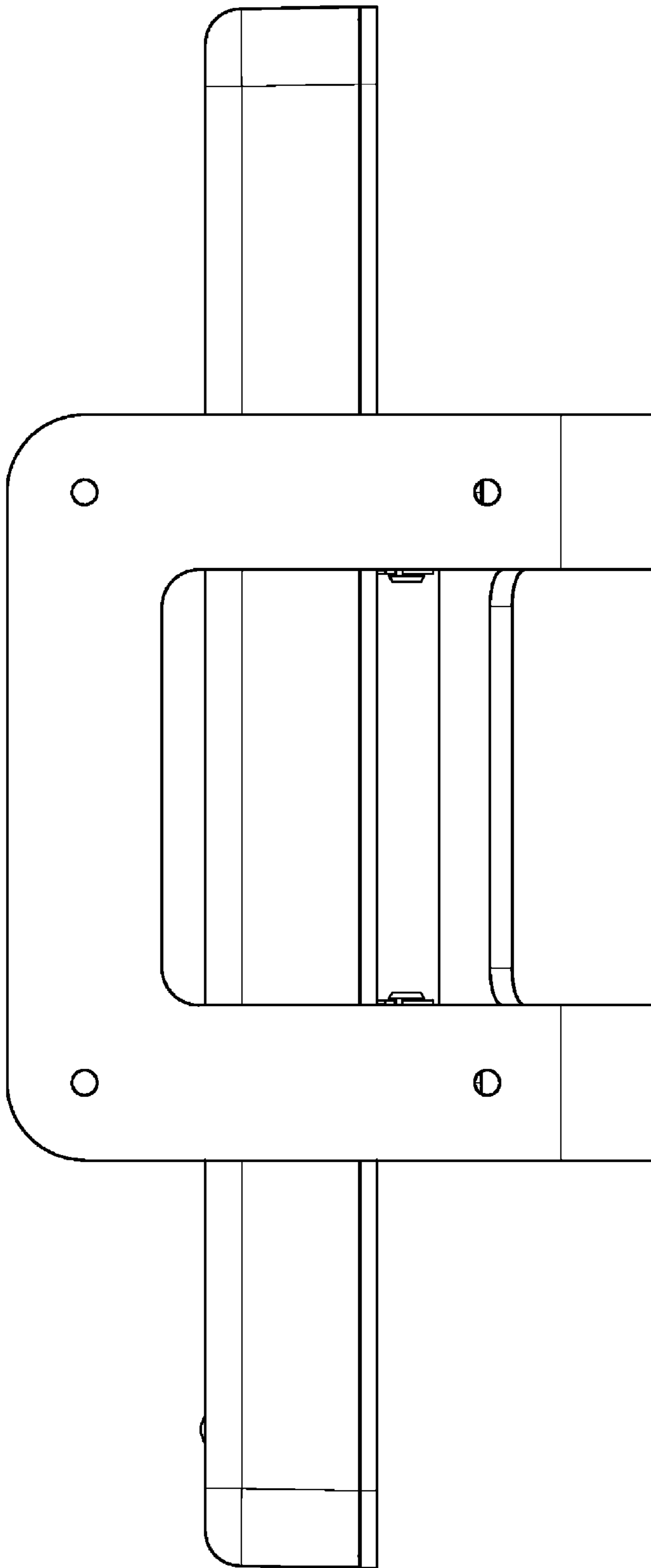


FIG. 8