



US00D651100S

(12) **United States Design Patent**
Limousin et al.

(10) **Patent No.:** **US D651,100 S**
(45) **Date of Patent:** **** Dec. 27, 2011**

(54) **WATCH CASE**

(75) Inventors: **Nicolas Limousin**, Hauterive la Fresse (FR); **Daniel Wild**, Le Sentier (CH)

(73) Assignee: **Richemont International, SA**, Villars-Sur-Glane (CH)

(**) Term: **14 Years**

(21) Appl. No.: **29/397,122**

(22) Filed: **Jul. 12, 2011**

(30) **Foreign Application Priority Data**

Jan. 14, 2011 (WO) DM/075 170

(51) **LOC (9) Cl.** **10-02**

(52) **U.S. Cl.** **D10/38**

(58) **Field of Classification Search** D10/30-39;
368/281, 282, 283, 276, 285

See application file for complete search history.

(56) **References Cited**

U.S. PATENT DOCUMENTS

D138,099	S	*	6/1944	Peyrot	D10/32
D145,490	S	*	8/1946	Ostier	D10/39
D157,606	S	*	3/1950	Lachman	D10/38
2,636,338	A	*	4/1953	Dinstman	368/283
4,236,239	A	*	11/1980	Imgruth et al.	368/72
4,444,513	A	*	4/1984	Proellocks et al.	368/223
D276,415	S	*	11/1984	Ecoffey	D10/32
4,493,561	A	*	1/1985	Bouchet	368/281
D363,232	S	*	10/1995	Gueit	D10/38
D370,638	S	*	6/1996	Oba	D10/30
5,805,535	A	*	9/1998	Guyard et al.	368/283
D404,319	S	*	1/1999	Deleskiewicz	D10/32
D413,818	S	*	9/1999	Baumann	D10/32
D423,374	S	*	4/2000	Deleskiewicz	D10/32
D439,525	S	*	3/2001	Versace	D10/30
D440,886	S	*	4/2001	Burgener	D10/32
D454,798	S	*	3/2002	Gruosi	D10/30
6,522,602	B2	*	2/2003	Nussbaum	368/88
D473,470	S	*	4/2003	Nussbaum	D10/30
D474,119	S	*	5/2003	Mouquet	D10/39
D475,934	S	*	6/2003	Bulgari	D10/30

D484,814	S	*	1/2004	Sugiura	D10/32
6,738,317	B2	*	5/2004	Nussbaum	368/88
6,739,748	B2	*	5/2004	Della Santa	368/283
D494,477	S	*	8/2004	Lalo	D10/30
D503,629	S	*	4/2005	Rabassa	D10/39
D506,935	S	*	7/2005	Dreyfuss	D10/32
D507,975	S	*	8/2005	Dreyfuss	D10/32
D508,211	S	*	8/2005	Dreyfuss	D10/32
D526,215	S	*	8/2006	Calvani	D10/38
D526,912	S	*	8/2006	Calvani	D10/38
7,107,790	B2	*	9/2006	Frank	63/21
D549,599	S	*	8/2007	Gruosi	D10/38
D556,605	S	*	12/2007	Min	D10/38
D573,039	S	*	7/2008	Berard	D10/31
D588,023	S	*	3/2009	Lassigne	D10/38

* cited by examiner

Primary Examiner — Lucy Lieberman

(74) *Attorney, Agent, or Firm* — Kalow & Springut, LLP

(57) **CLAIM**

The ornamental design for a watch case, as shown and described.

DESCRIPTION

FIG. 1 is a front view of the watch case.
 FIG. 2 is a rear view of the watch case.
 FIG. 3 is a right side view of the watch case.
 FIG. 4 is a left side view of the watch case.
 FIG. 5 is a bottom side view of the watch case.
 FIG. 6 is a top view of the watch case.
 FIG. 7 is a perspective view of the watch case.
 FIG. 8 is perspective view of the watch case with the cover shown in a different position;
 FIG. 9 is perspective view of the watch case with the cover shown in a different position;
 FIG. 10 is perspective view of the watch case with the cover shown in a different position; and,
 FIG. 11 is perspective view of the watch case with the cover shown in a different position.
 FIGS. 8 through 11 are representations of perspective views of the watch case depicted in FIGS. 1 through 7 in which the front flap is in different positions.

1 Claim, 5 Drawing Sheets

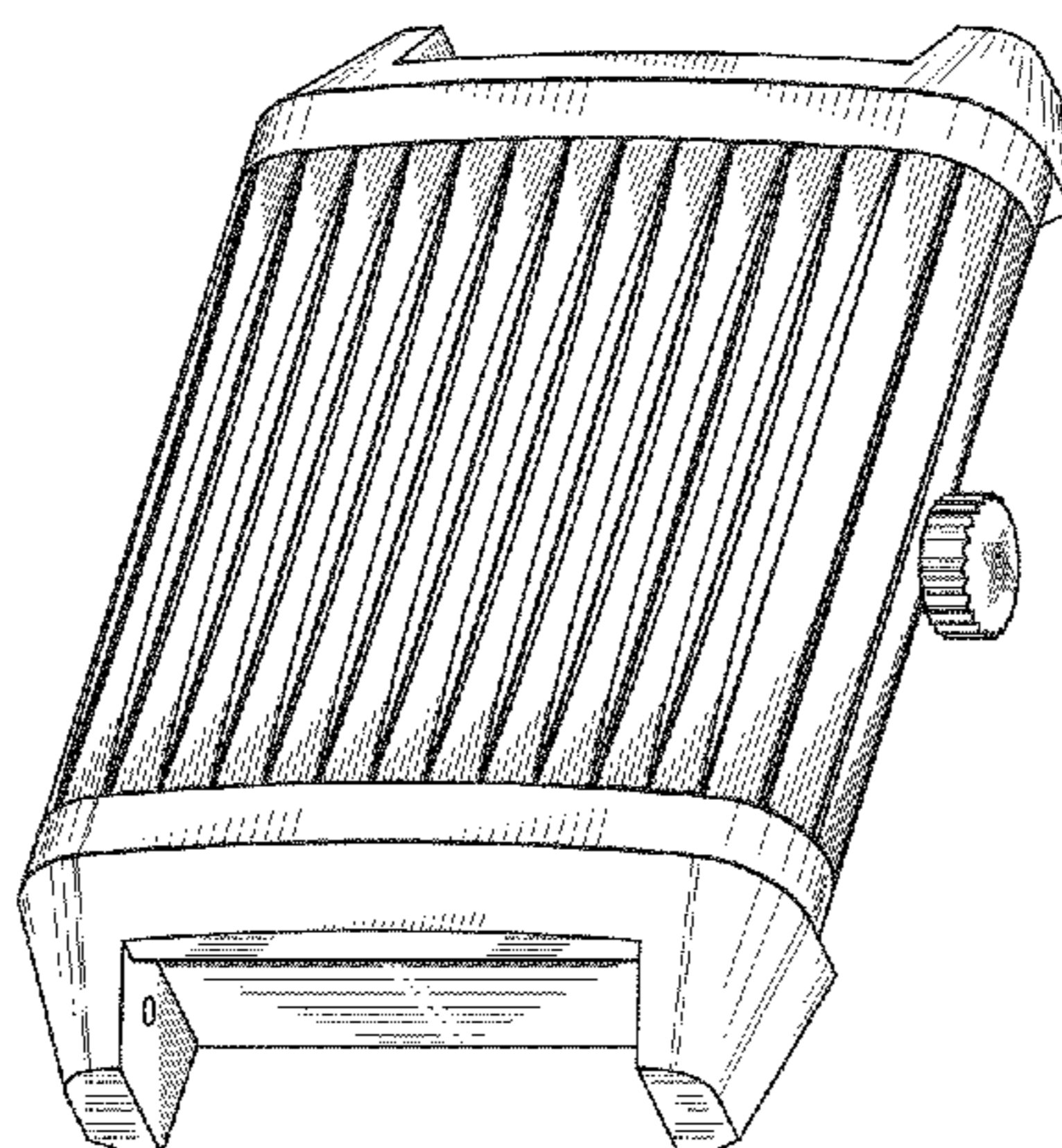


Fig. 1

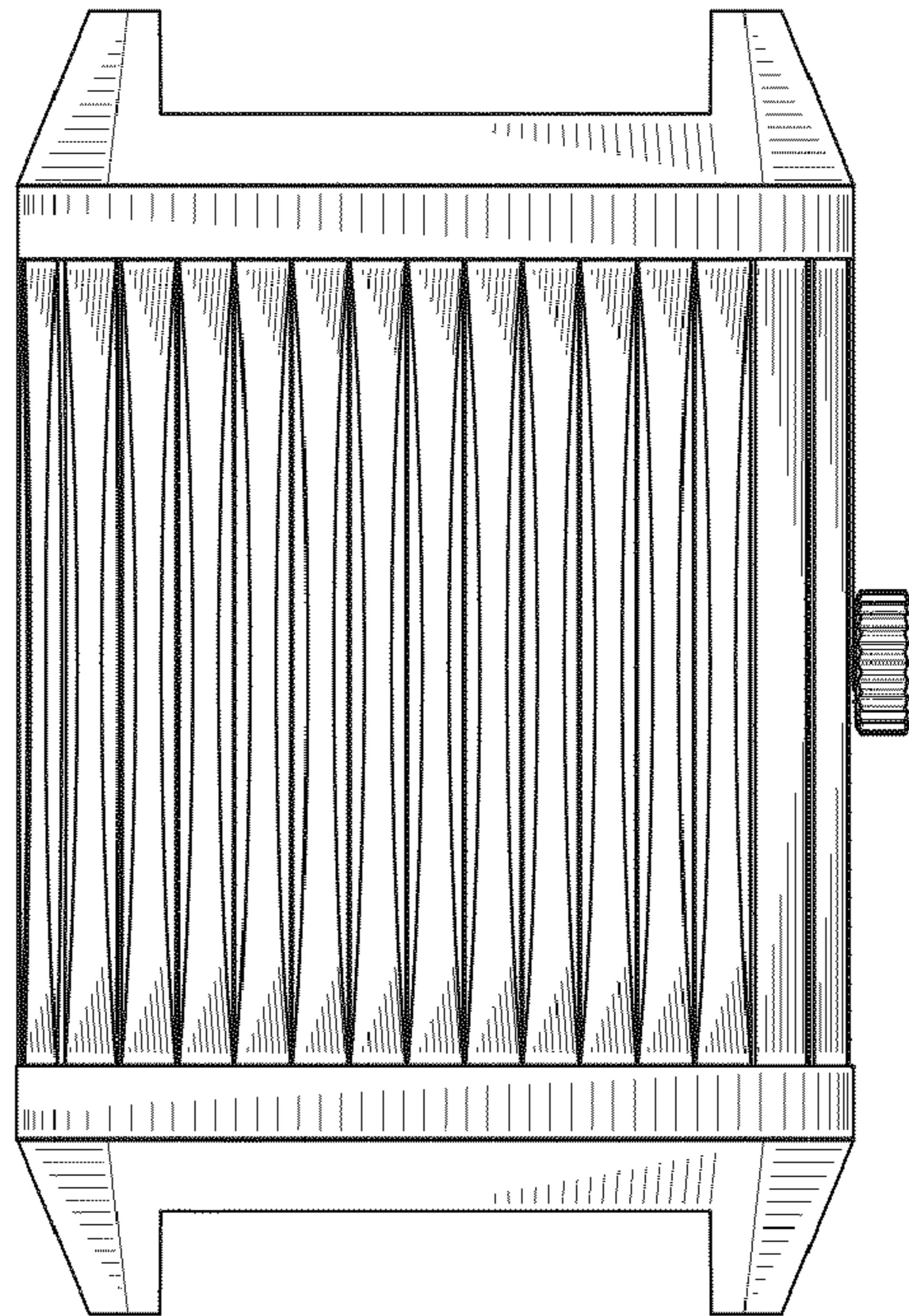


Fig. 2

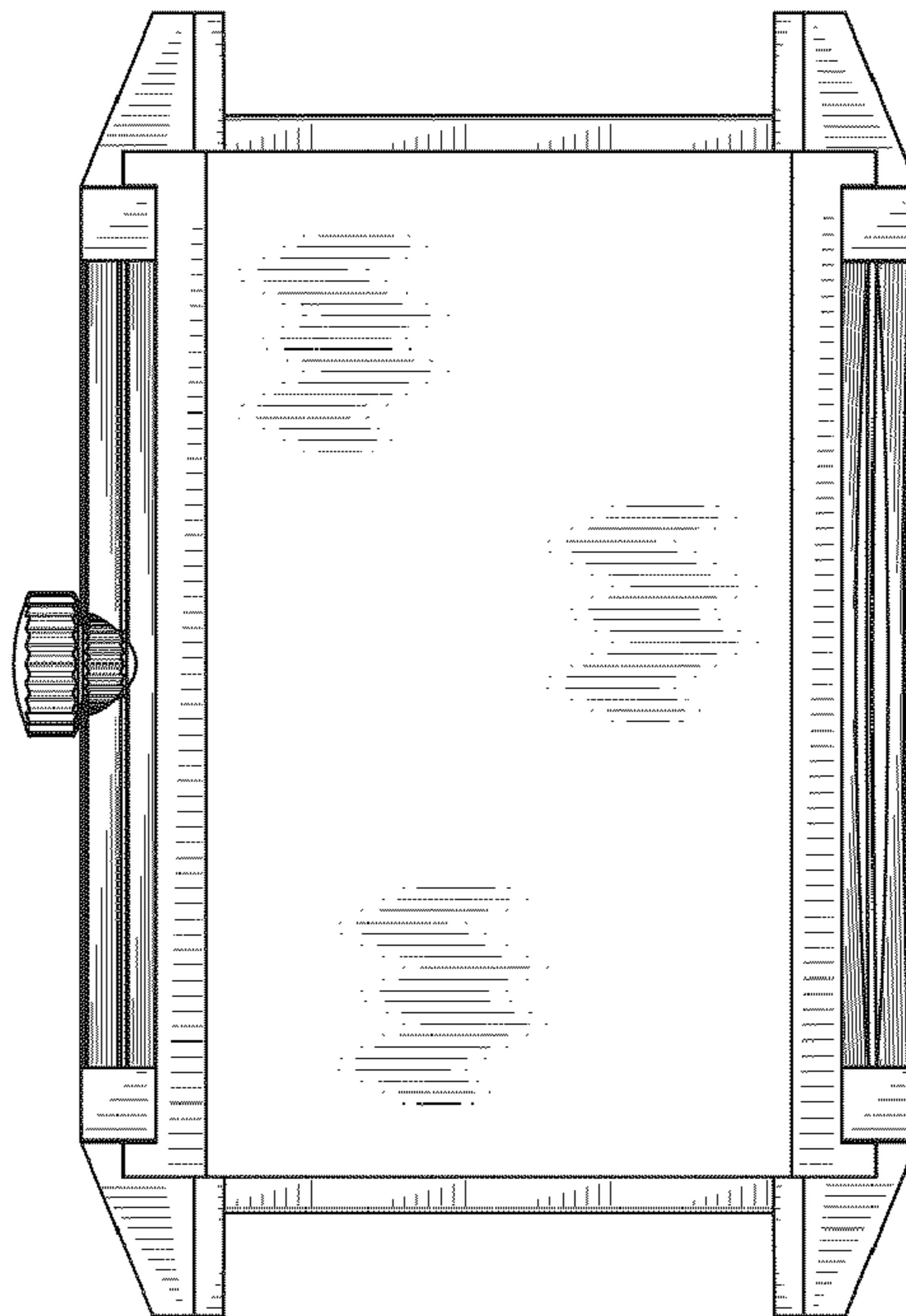


Fig. 3

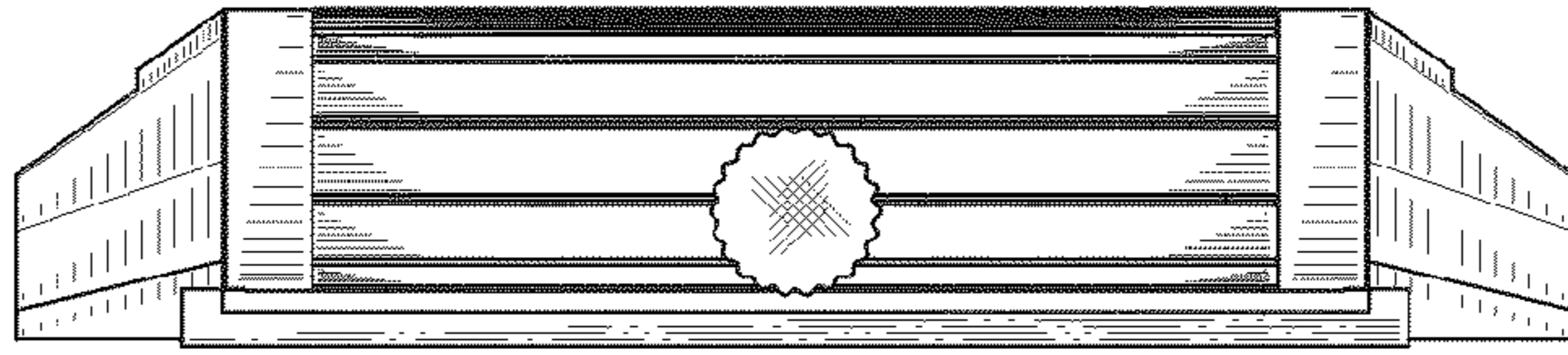


Fig. 4

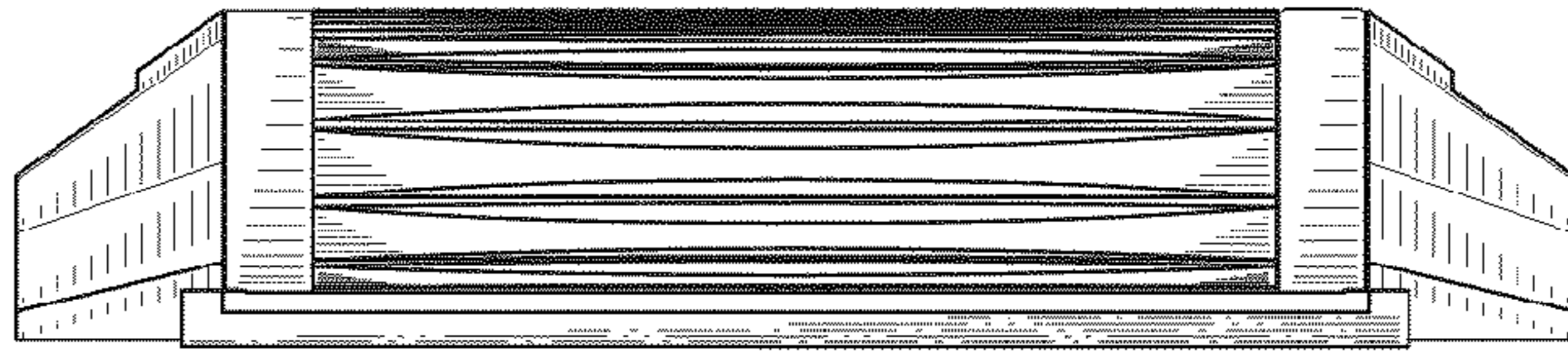


Fig. 5

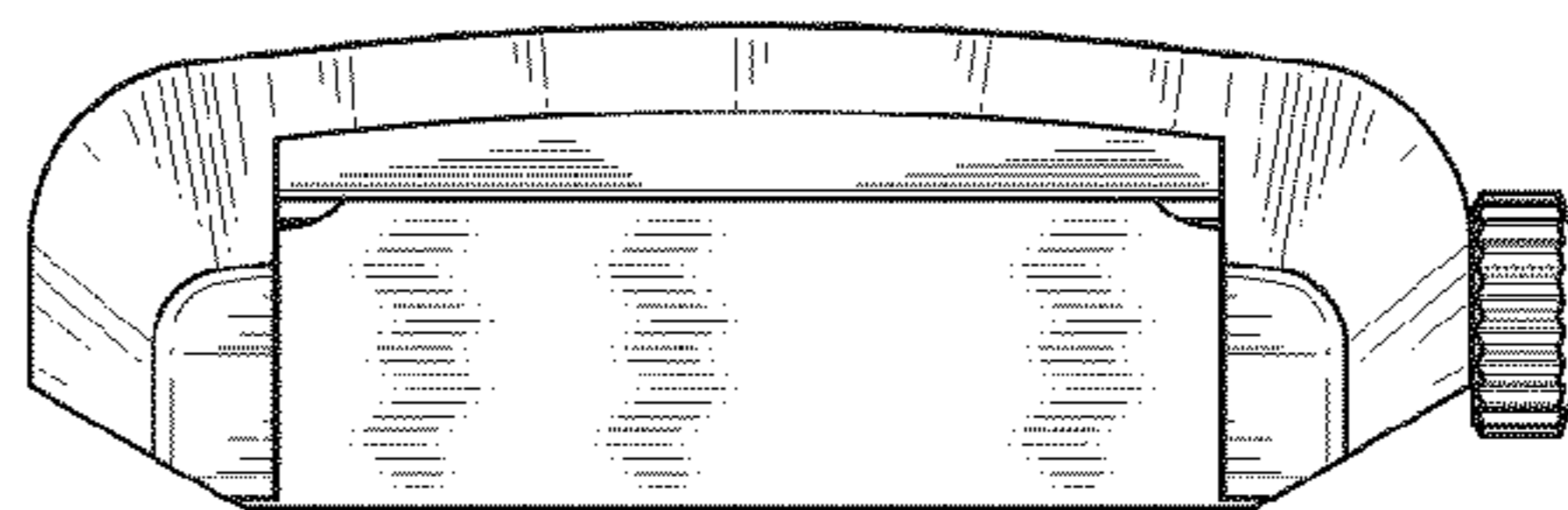
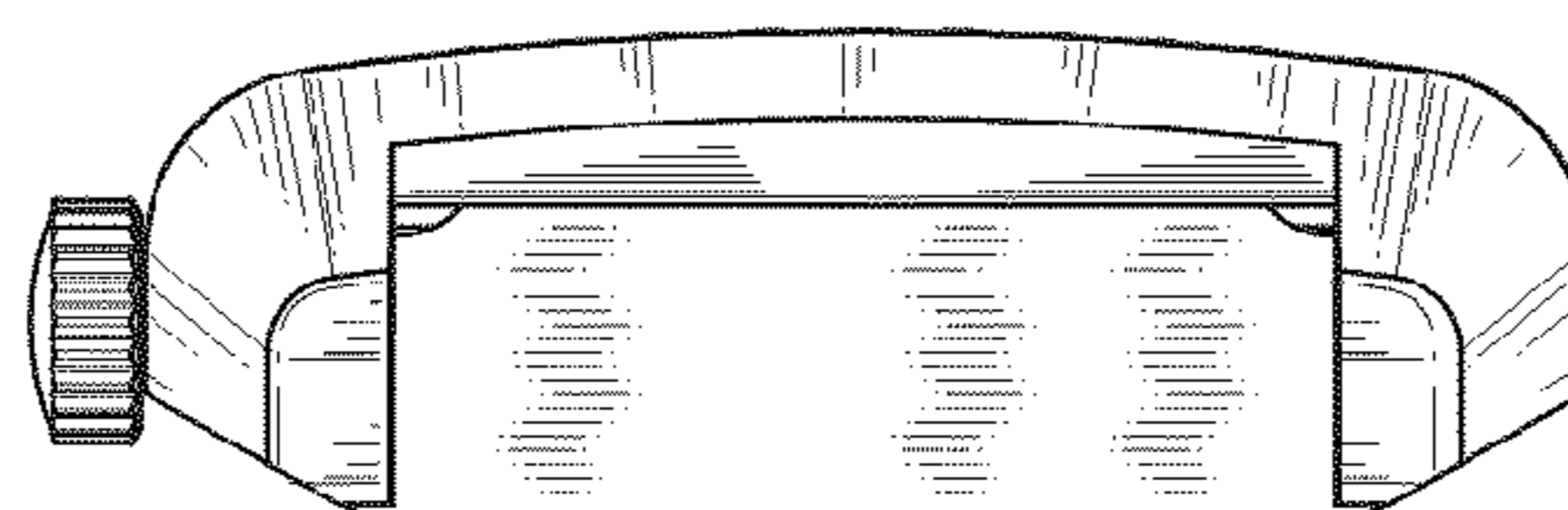


Fig. 6



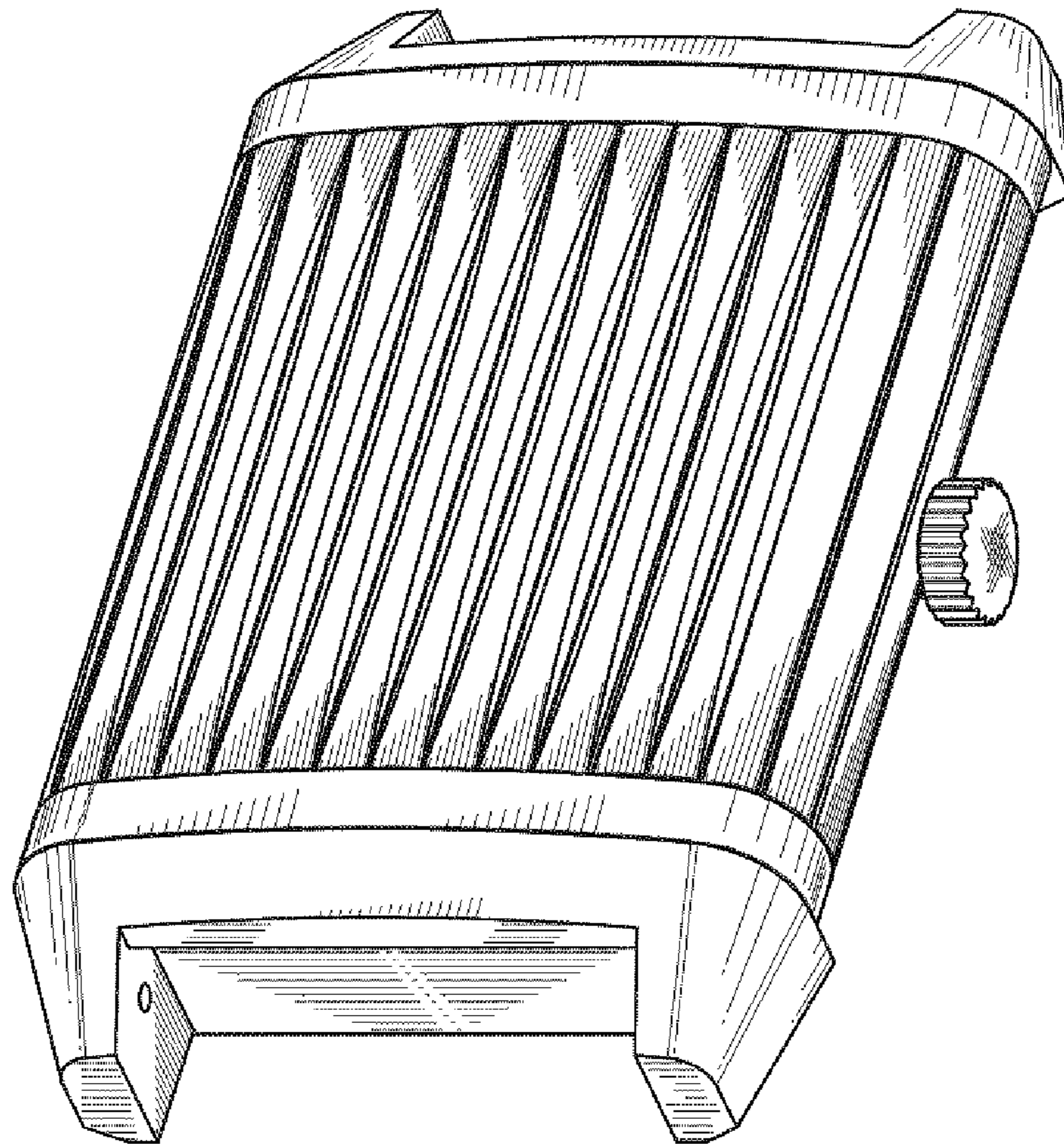


Fig. 7

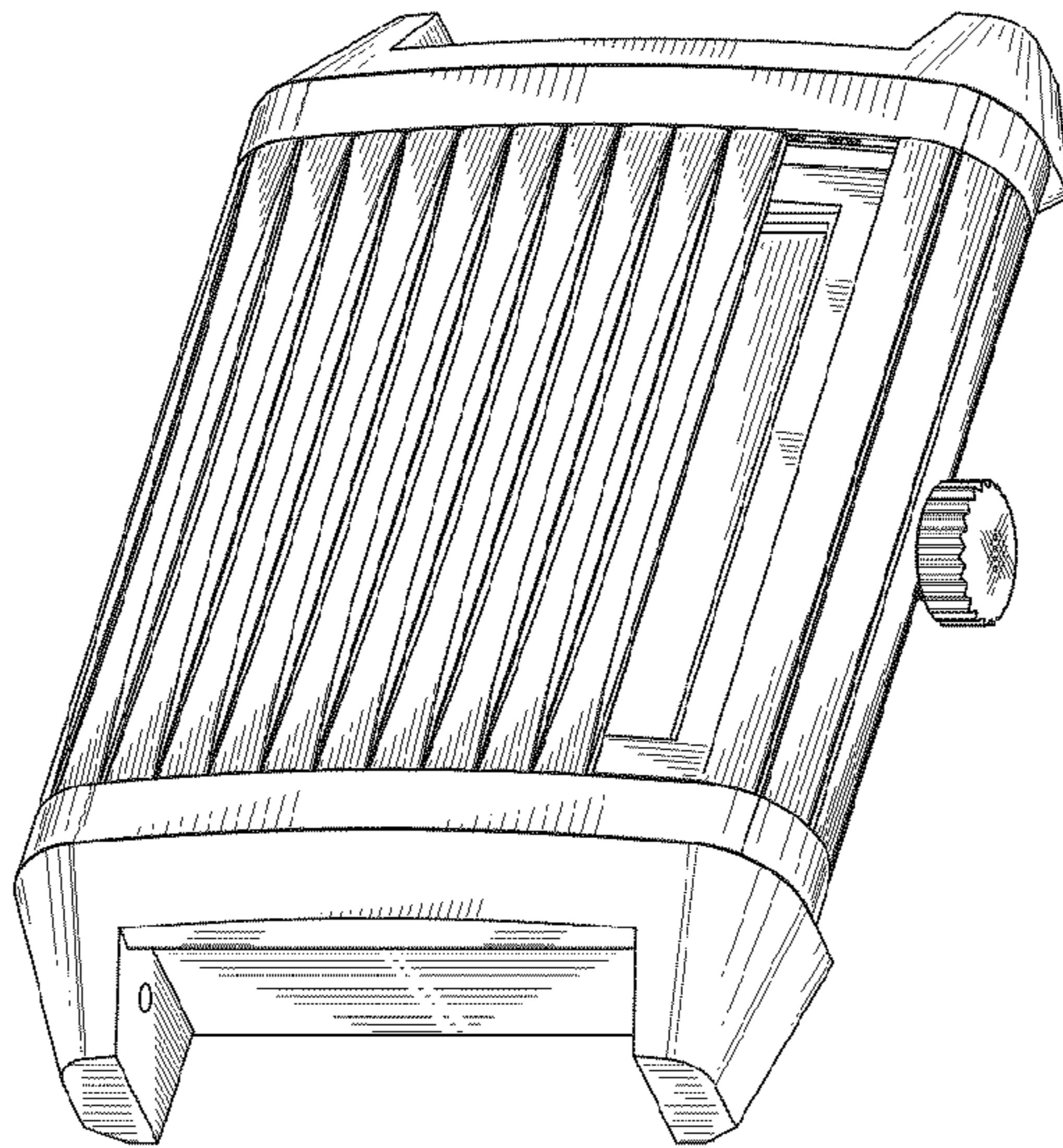


Fig. 8

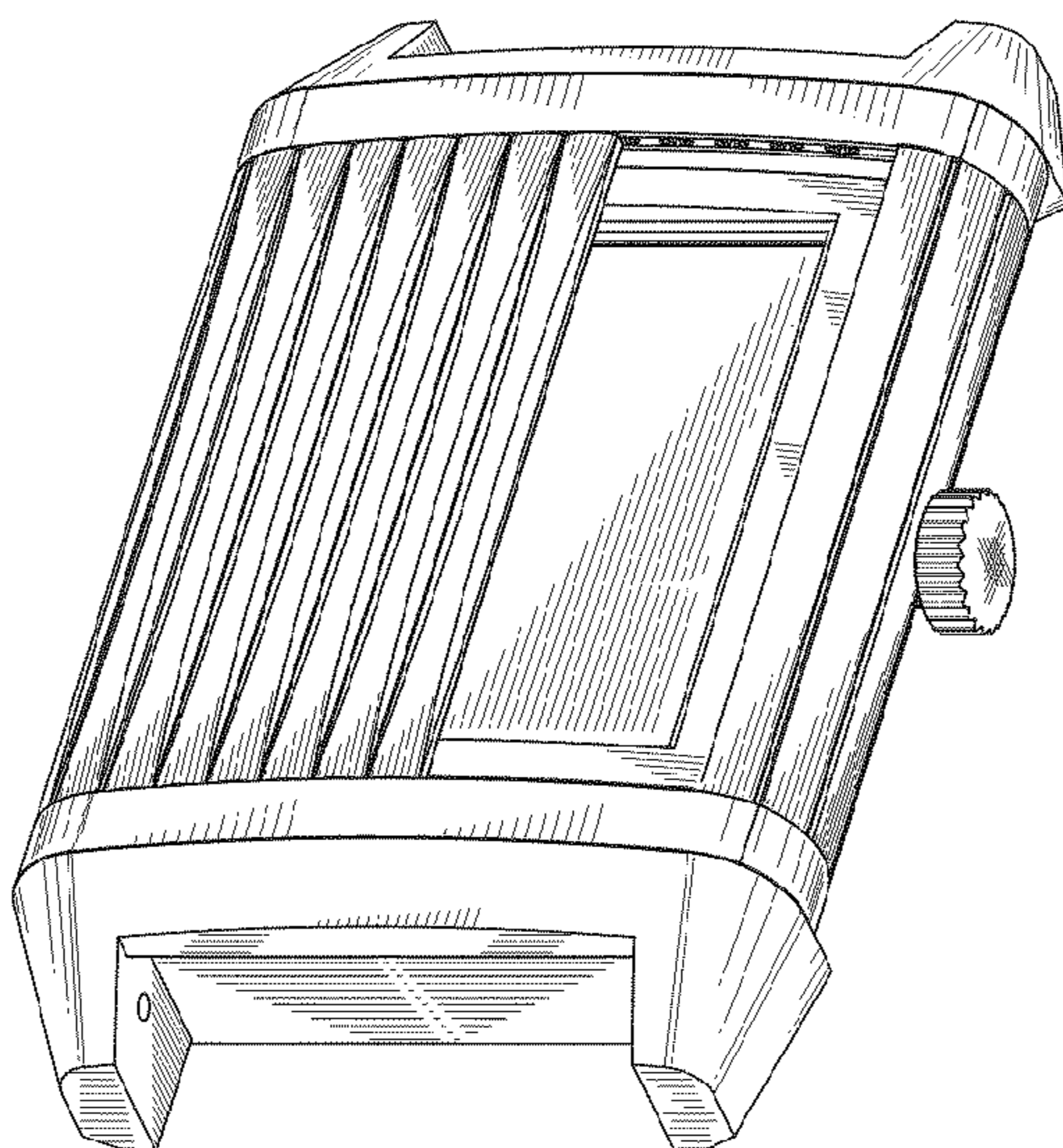


Fig. 9

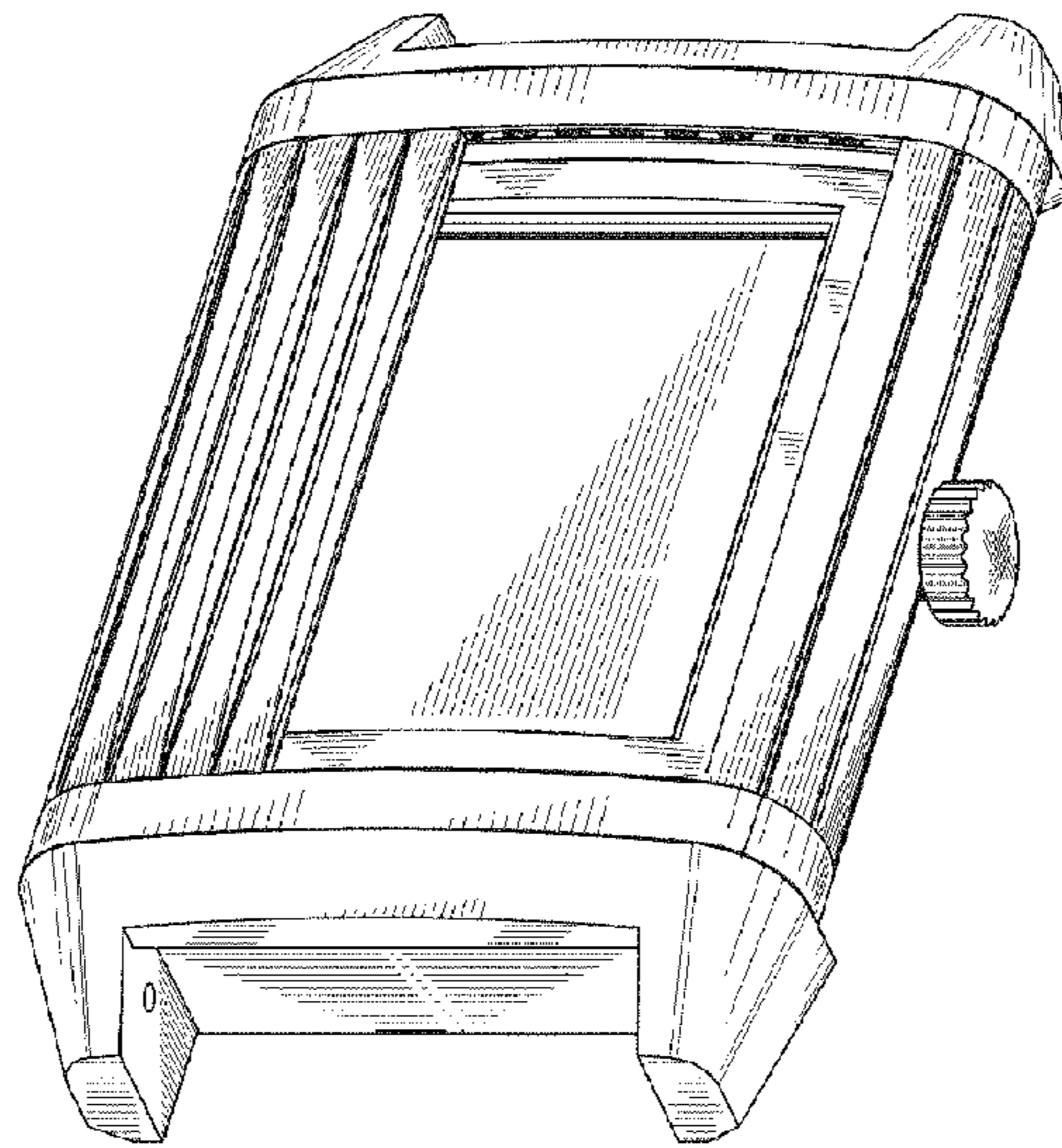


Fig. 10

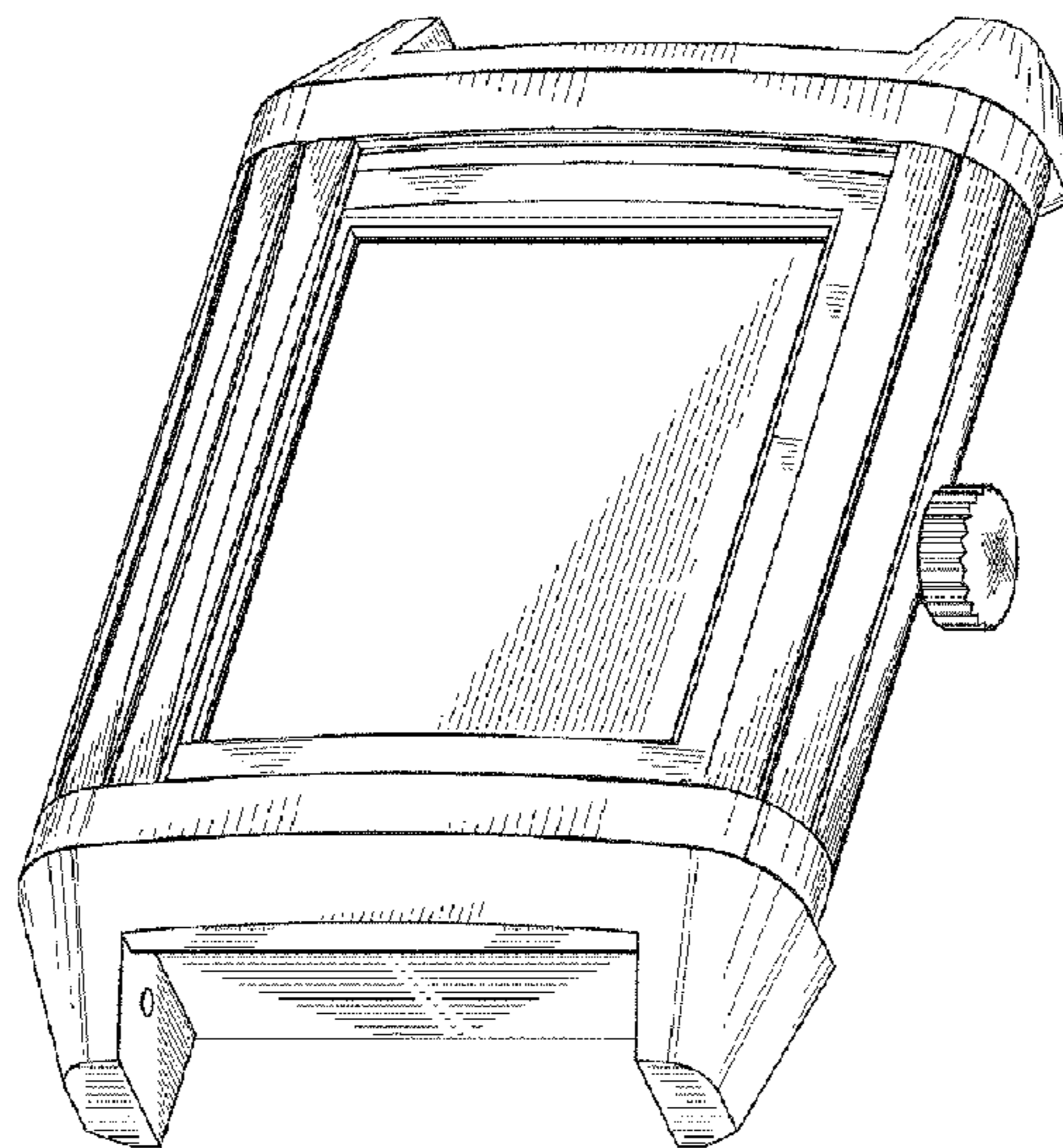


Fig. 11