



US00D651096S

(12) **United States Design Patent**
Nakagiri

(10) **Patent No.:** **US D651,096 S**

(45) **Date of Patent:** **** Dec. 27, 2011**

(54) **BEVERAGE EXTRACTION FILTER**

(75) Inventor: **Osamu Nakagiri, Takatsuki (JP)**

(73) Assignee: **UCC Ueshima Coffee Co., Ltd. (JP)**

(**) Term: **14 Years**

(21) Appl. No.: **29/362,057**

(22) Filed: **May 19, 2010**

(51) **LOC (9) Cl.** **09-05**

(52) **U.S. Cl.** **D9/707; D7/400; D9/428**

(58) **Field of Classification Search** D7/400,
D7/399; 99/323, 295; 210/464; D9/429,
D9/417, 428, 416, 707; D28/8.1; D24/101,
D24/104; 426/77

See application file for complete search history.

(56) **References Cited**

U.S. PATENT DOCUMENTS

D407,640	S	*	4/1999	Nelson et al.	D9/710
D436,532	S	*	1/2001	Richardson	D9/428
D438,611	S	*	3/2001	Richardson	D24/104
D445,674	S	*	7/2001	Pritchett	D9/707
D452,058	S	*	12/2001	Munroe-Browne	D99/5
6,645,537	B2	*	11/2003	Sweeney et al.	426/79

6,658,989	B2	*	12/2003	Sweeney et al.	99/315
D502,362	S	*	3/2005	Lazaris et al.	D7/400
D520,185	S	*	5/2006	Zeng et al.	D28/8.1
D532,293	S	*	11/2006	Martin	D9/503
D606,363	S	*	12/2009	Aardenburg	D7/400
D610,458	S	*	2/2010	Martin	D9/500
D637,484	S	*	5/2011	Winkler	D9/429
2004/0045443	A1	*	3/2004	Lazaris et al.	99/279
2005/0266122	A1	*	12/2005	Franceschi	426/77
2007/0175334	A1	*	8/2007	Halliday et al.	99/279
2007/0259074	A1	*	11/2007	Searchilli et al.	426/78

* cited by examiner

Primary Examiner — Marianne Pandozzi

(74) *Attorney, Agent, or Firm* — Knobbe Martens Olson & Bear LLP

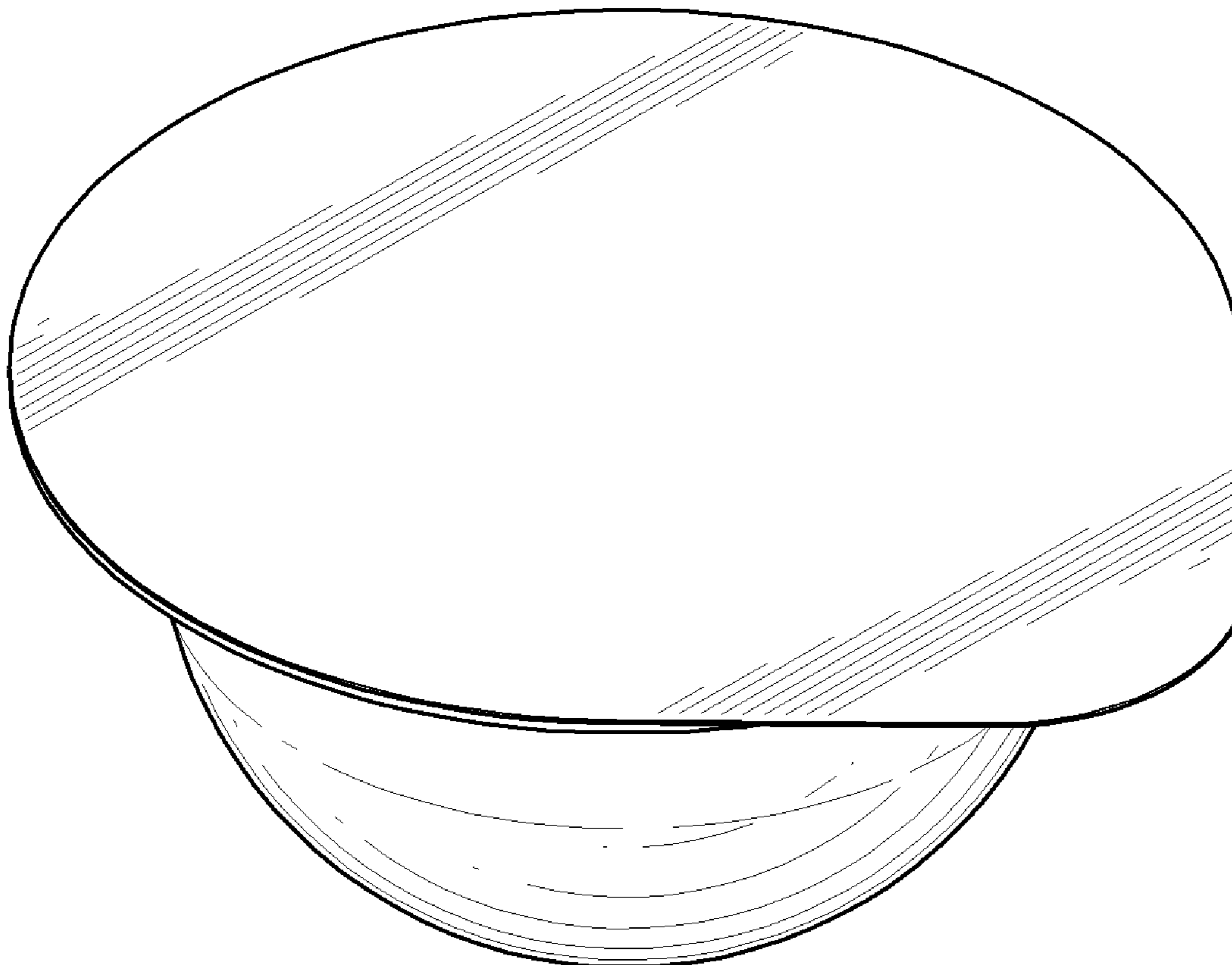
(57) **CLAIM**

The ornamental design for a beverage extraction filter, as shown and described.

DESCRIPTION

FIG. 1 is a front view of a beverage extraction filter;
FIG. 2 is a top view thereof
FIG. 3 is a bottom view thereof;
FIG. 4 is a right side view thereof; and,
FIG. 5 is a perspective view of thereof.

1 Claim, 5 Drawing Sheets



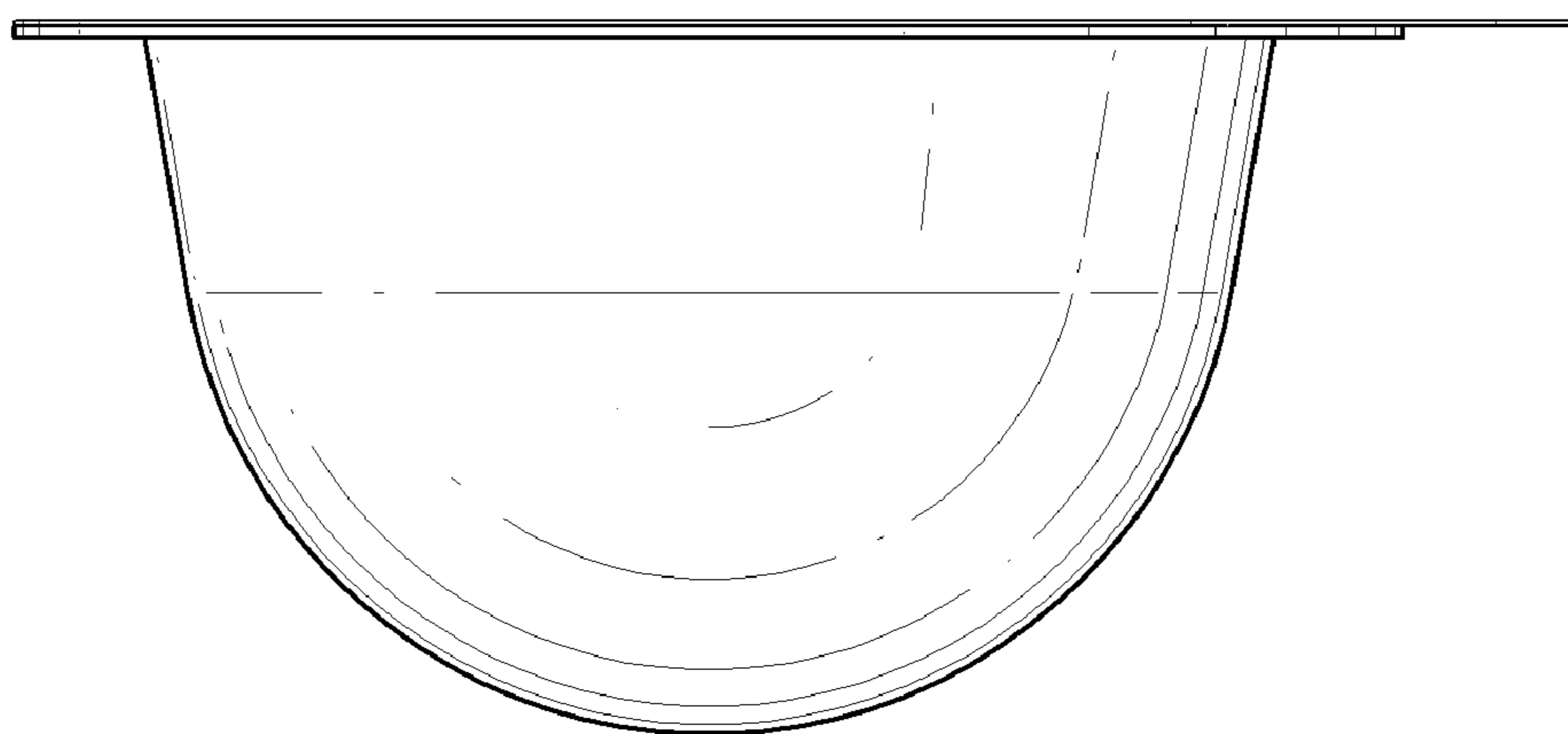


FIG. 1

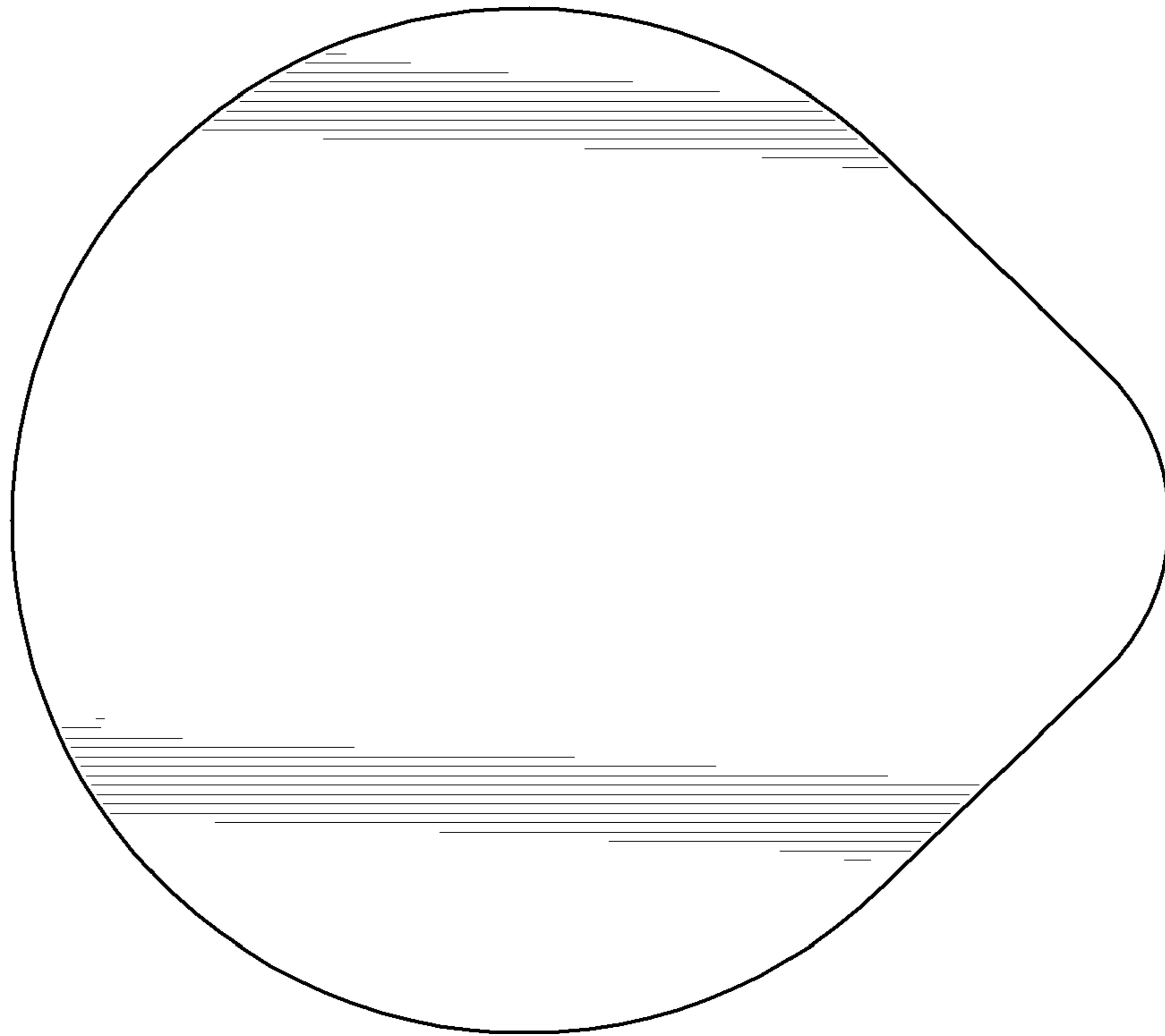


FIG. 2

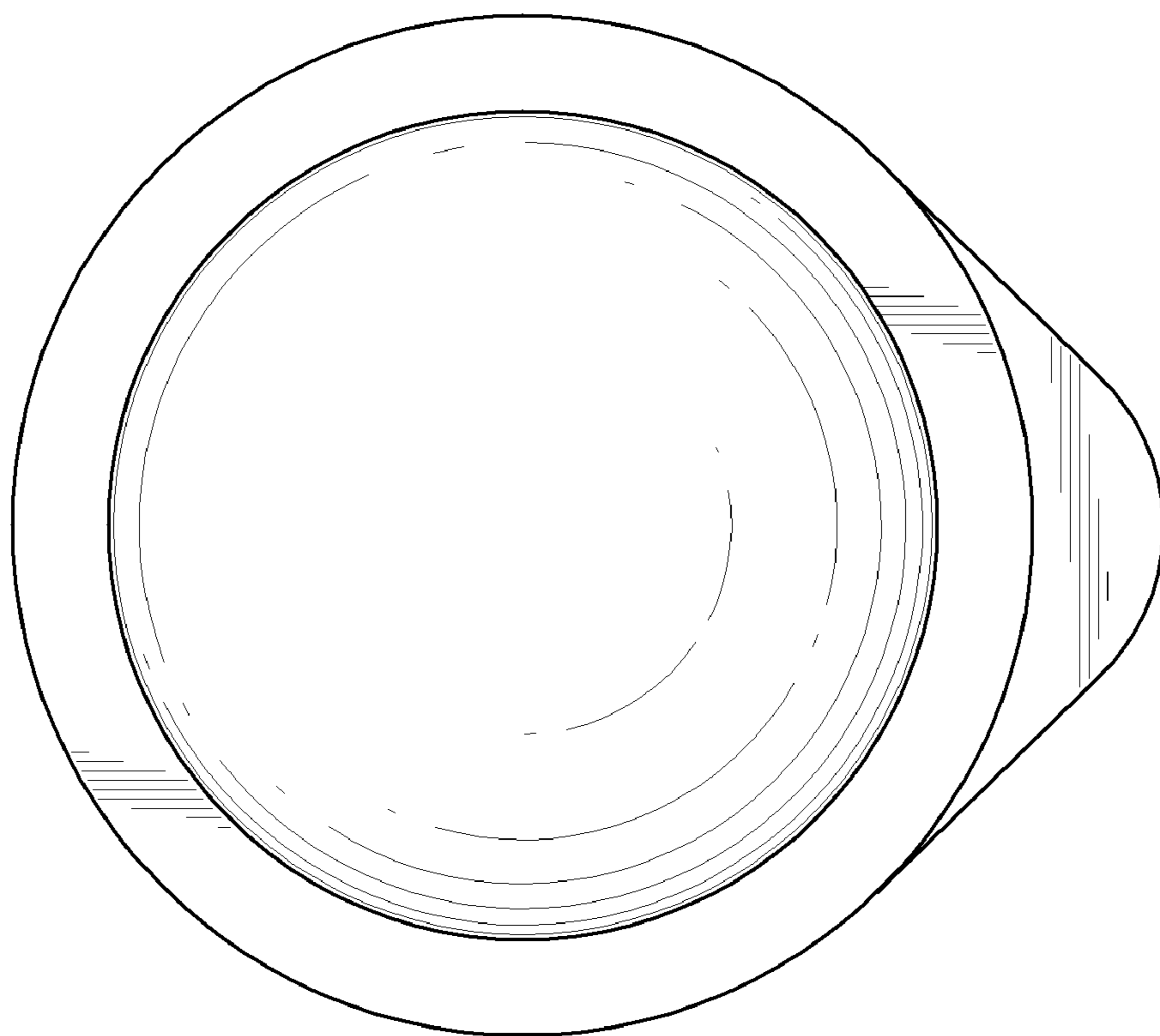


FIG. 3

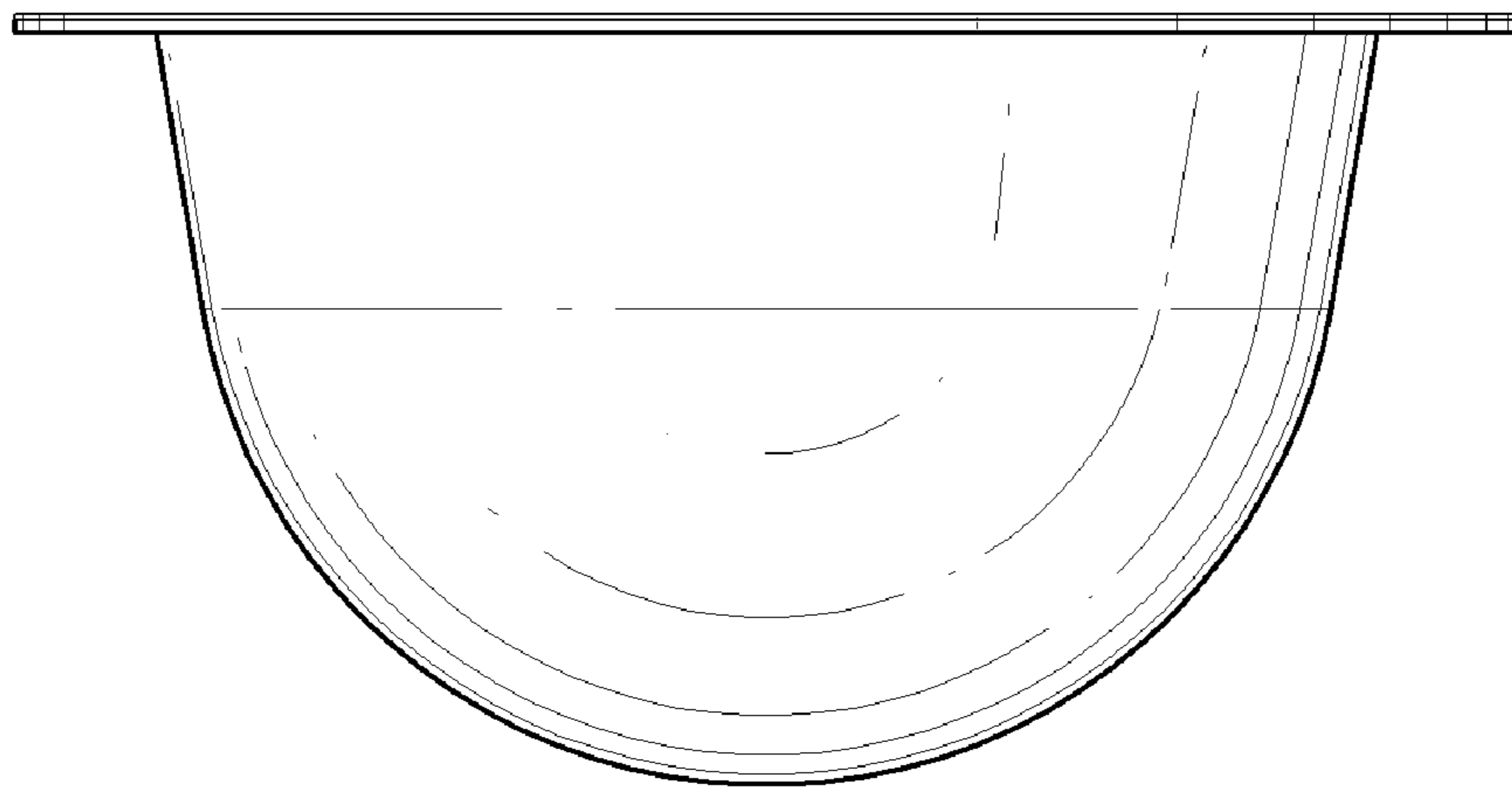


FIG. 4

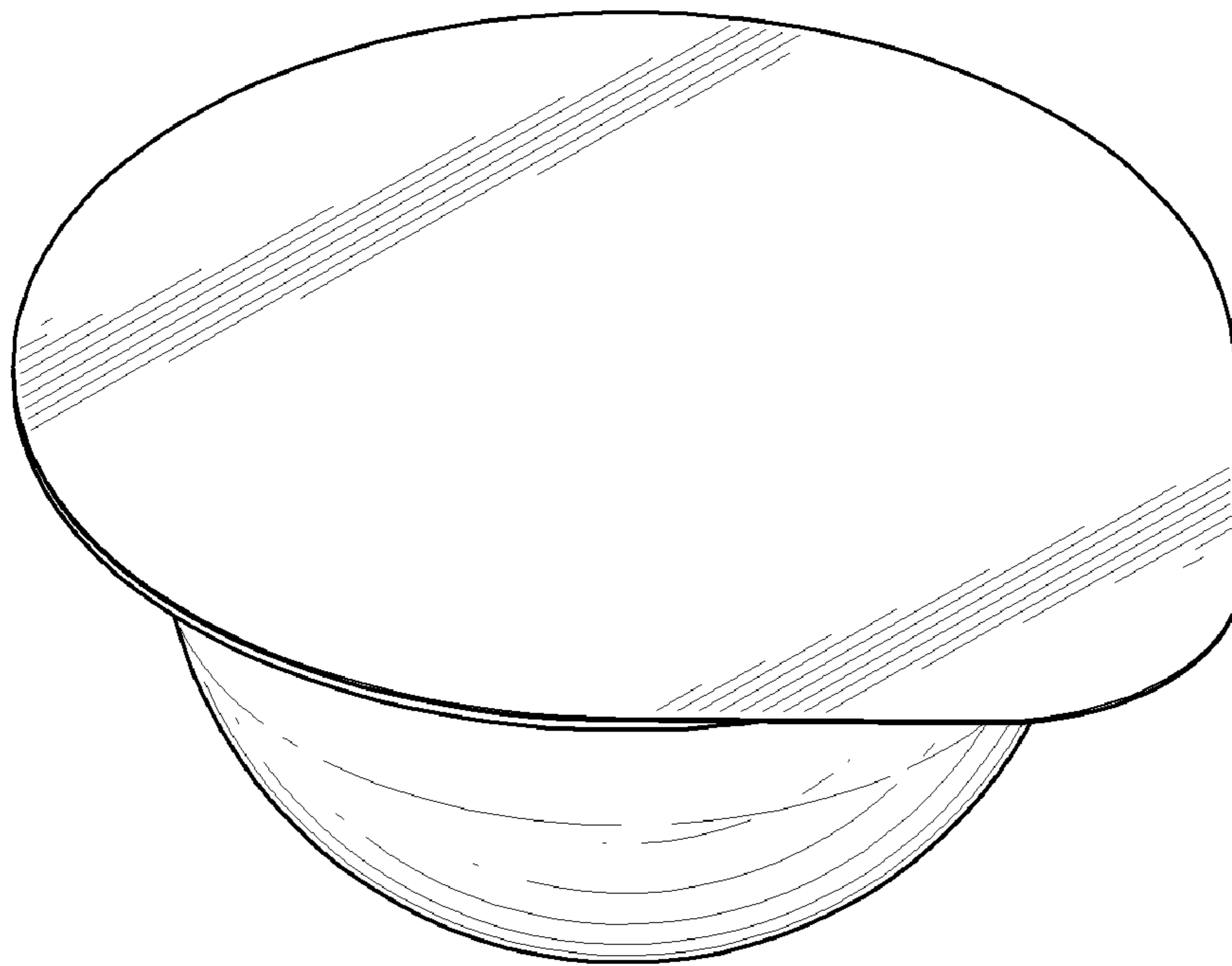


FIG. 5