

US00D651094S

(12) **United States Design Patent**
Kissinger et al.

(10) **Patent No.:** **US D651,094 S**

(45) **Date of Patent:** **** Dec. 27, 2011**

(54) **CONTAINER BODY PORTION**

(75) Inventors: **Jeffrey Kissinger**, Wadsworth, OH (US);
Christopher E. Kaminski, Northfield
Center, OH (US)

(73) Assignee: **Plastipak Packaging, Inc.**, Plymouth,
MI (US)

(**) Term: **14 Years**

(21) Appl. No.: **29/377,347**

(22) Filed: **Oct. 20, 2010**

(51) **LOC (9) Cl.** **09-01**

(52) **U.S. Cl.** **D9/541; D9/543**

(58) **Field of Classification Search** D9/516,
D9/530, 531, 541, 543, 551, 556, 557, 559,
D9/560, 564, 569, 570, 575; 215/381-385;
220/660, 669, 679, 752

See application file for complete search history.

(56) **References Cited**

U.S. PATENT DOCUMENTS

5,758,790	A *	6/1998	Ewing, Jr.	215/384
D497,552	S *	10/2004	Zhang et al.	D9/541
D505,077	S *	5/2005	Piccioli et al.	D9/538
D508,410	S *	8/2005	Zboch et al.	D9/667
D513,703	S *	1/2006	Zboch et al.	D9/667

D514,450	S *	2/2006	Zboch et al.	D9/667
D515,434	S *	2/2006	Zboch et al.	D9/667
D530,601	S *	10/2006	Zboch et al.	D9/434
D580,270	S *	11/2008	Futral	D9/541
D582,204	S *	12/2008	Garman	D7/378
D597,849	S *	8/2009	Aoyagi et al.	D9/566

* cited by examiner

Primary Examiner — Stella Reid

Assistant Examiner — Keli L Hill

(74) *Attorney, Agent, or Firm* — Mario A. Tabone

(57) **CLAIM**

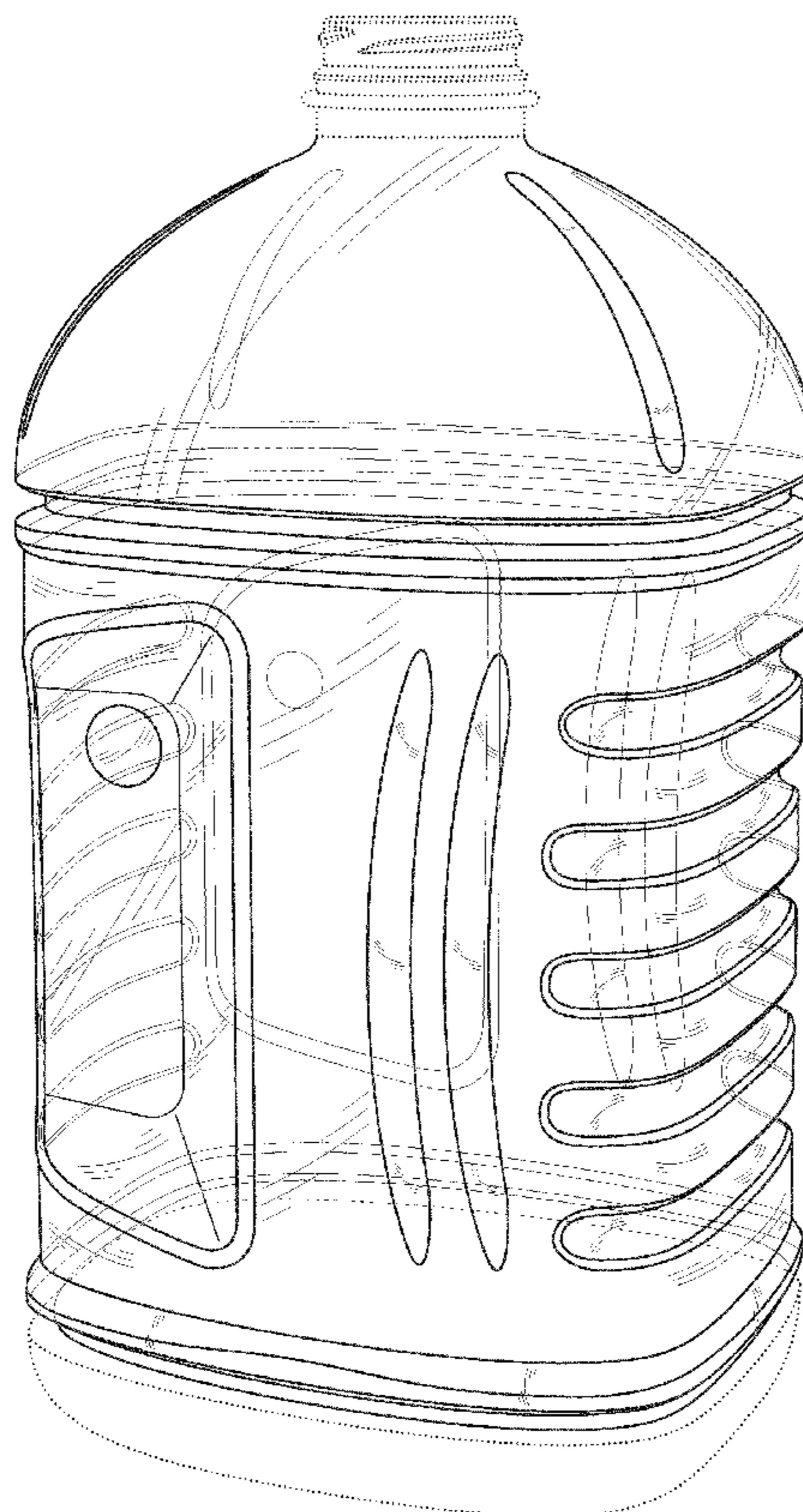
The ornamental design for a container body portion, as shown and described.

DESCRIPTION

FIG. 1 is a top, front, left perspective view of a container body portion showing our new design;
FIG. 2 is a front elevational view thereof;
FIG. 3 is a rear side elevational view thereof;
FIG. 4 is a left side elevational view thereof;
FIG. 5 is a right side elevational view thereof;
FIG. 6 is a top plan view thereof; and,
FIG. 7 is a bottom plan view thereof.

The broken lines shown in the drawing views are for environmental purposes only and form no part of the claimed design.

1 Claim, 6 Drawing Sheets



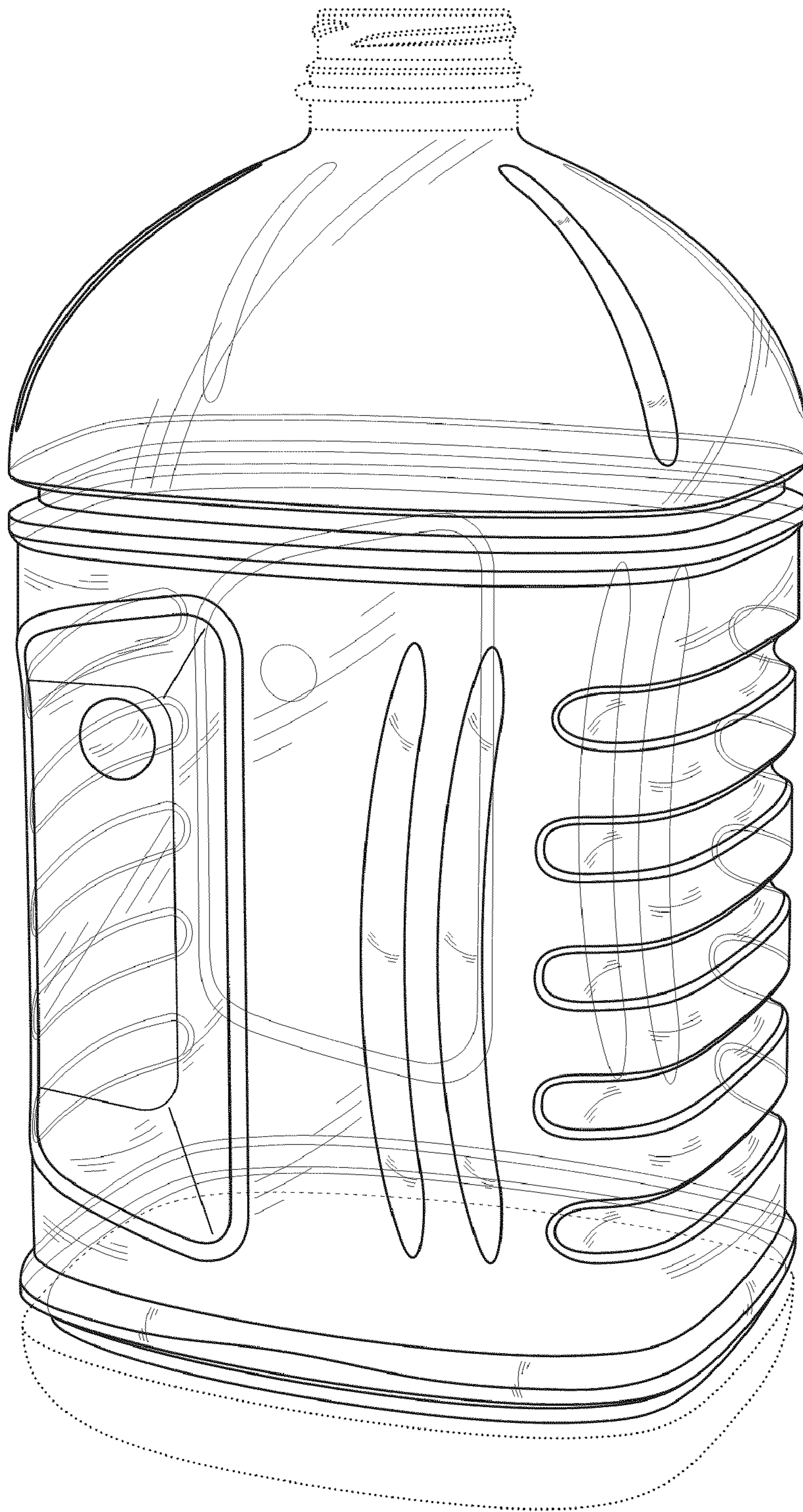


FIG. 1

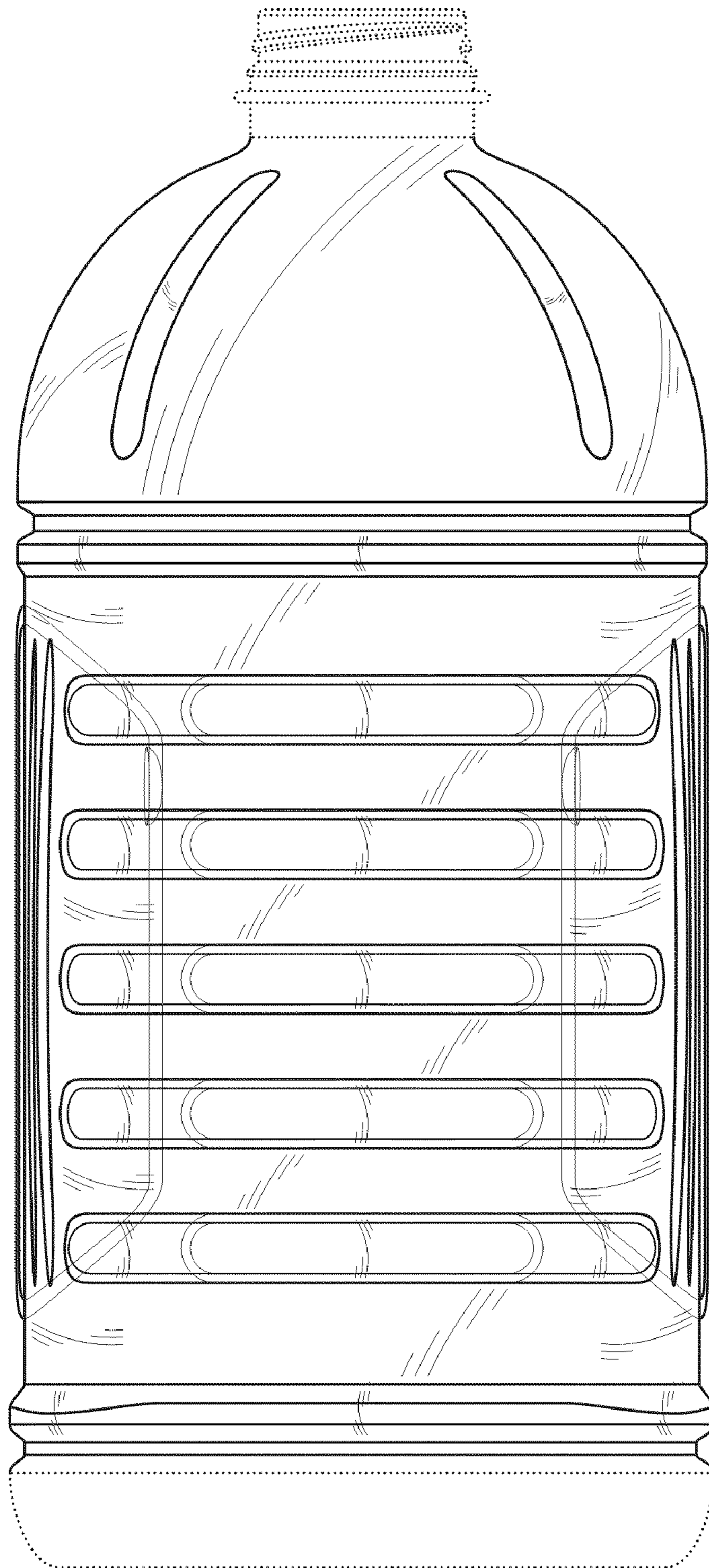


FIG. 2

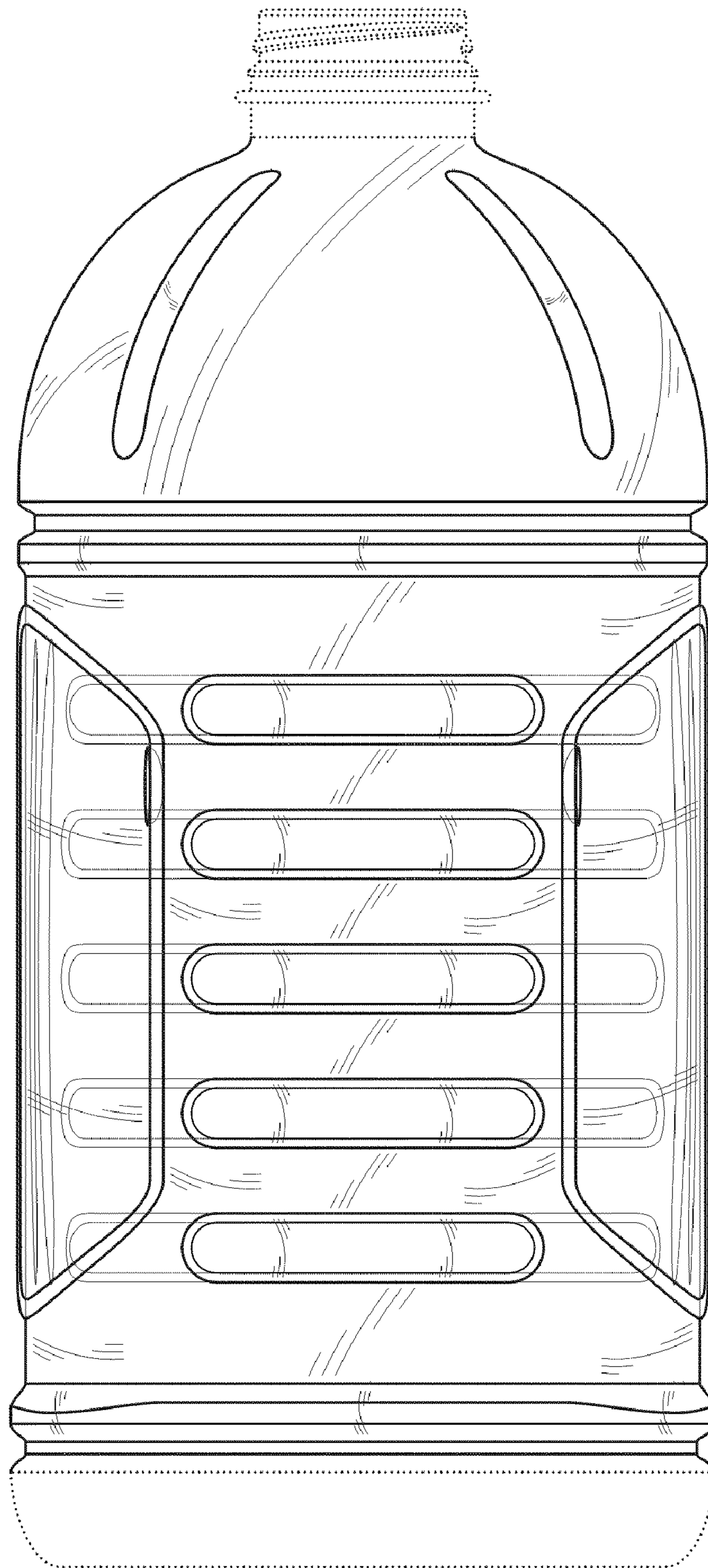


FIG. 3

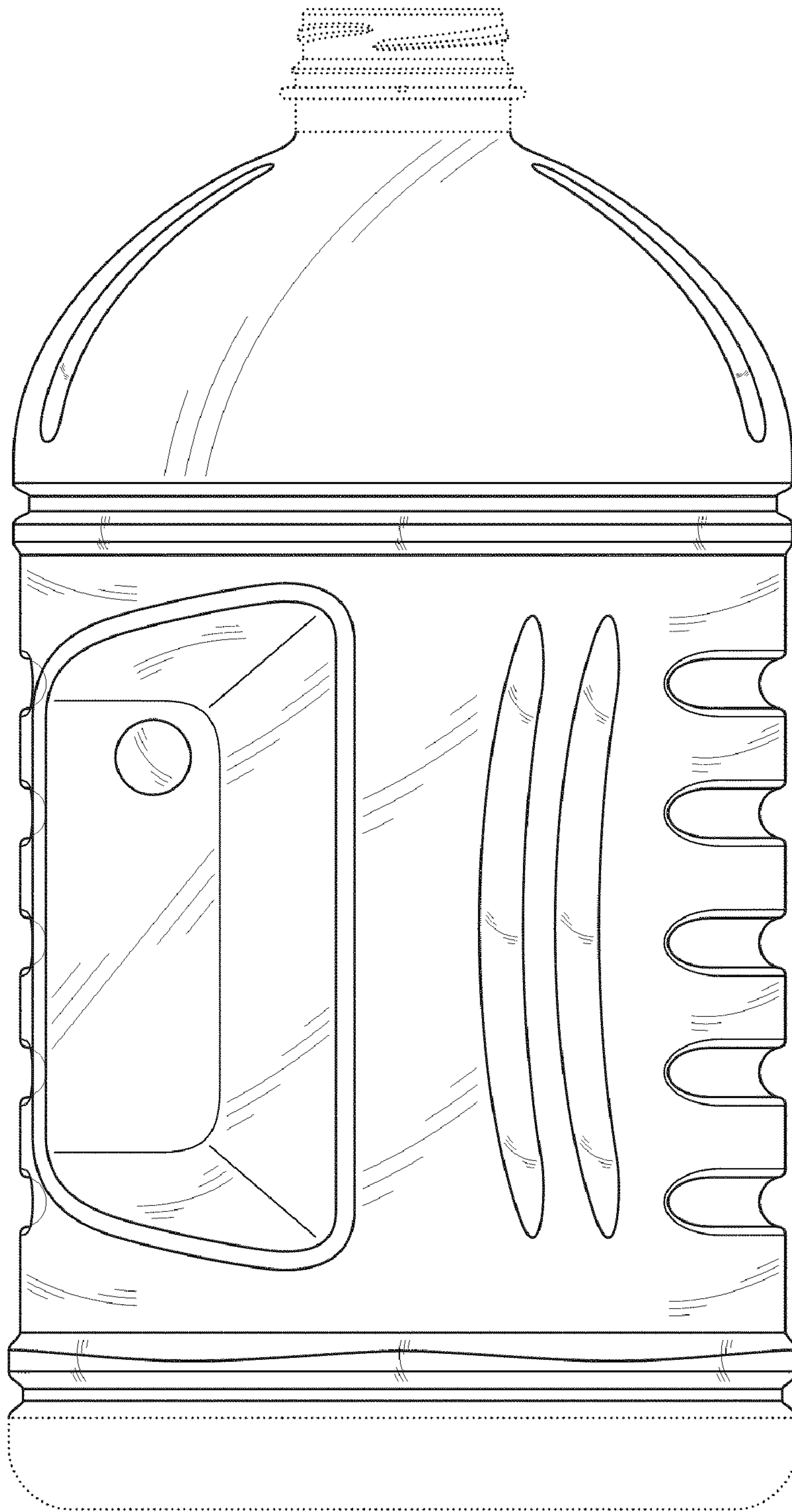


FIG. 4

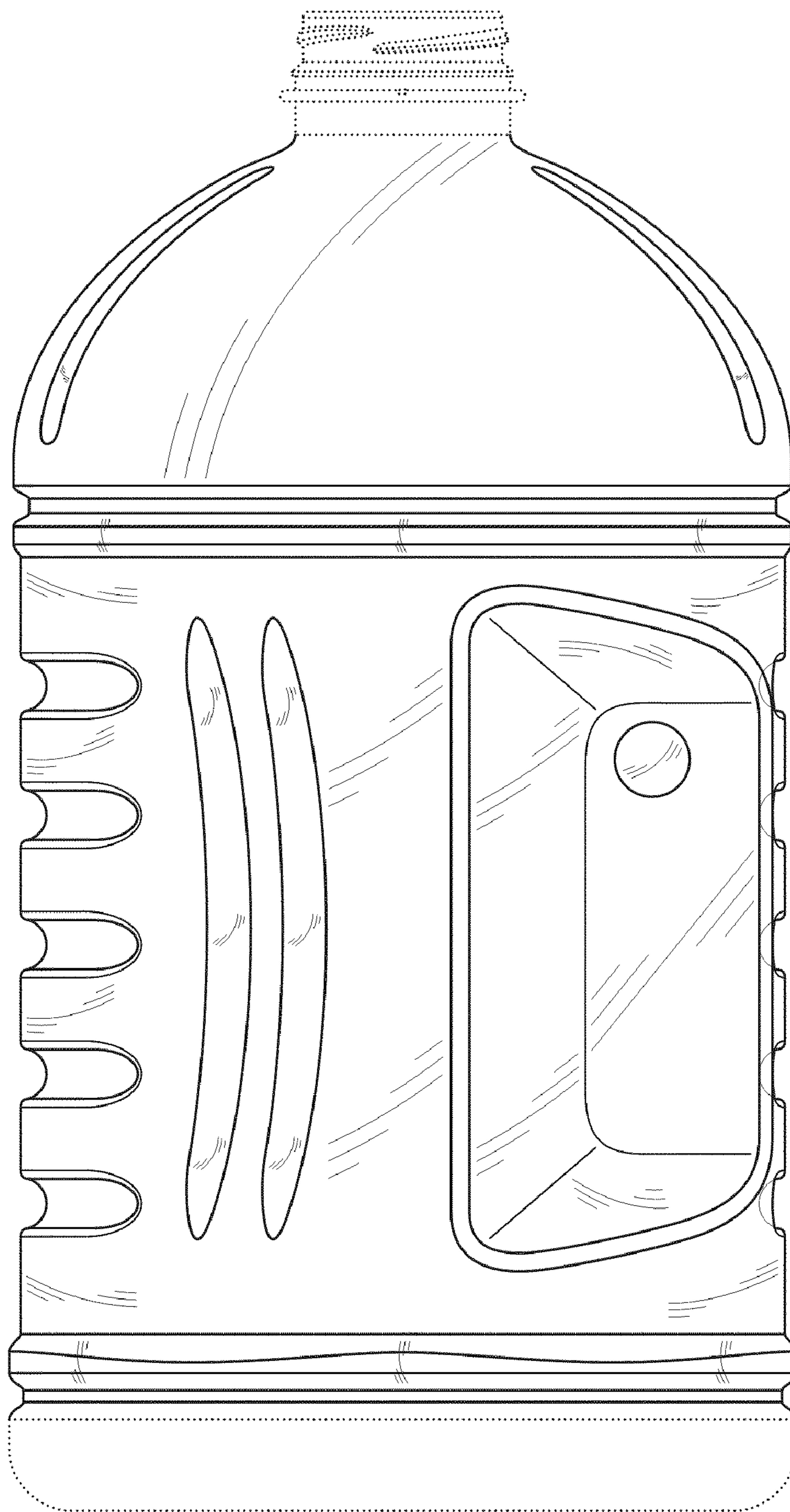


FIG. 5

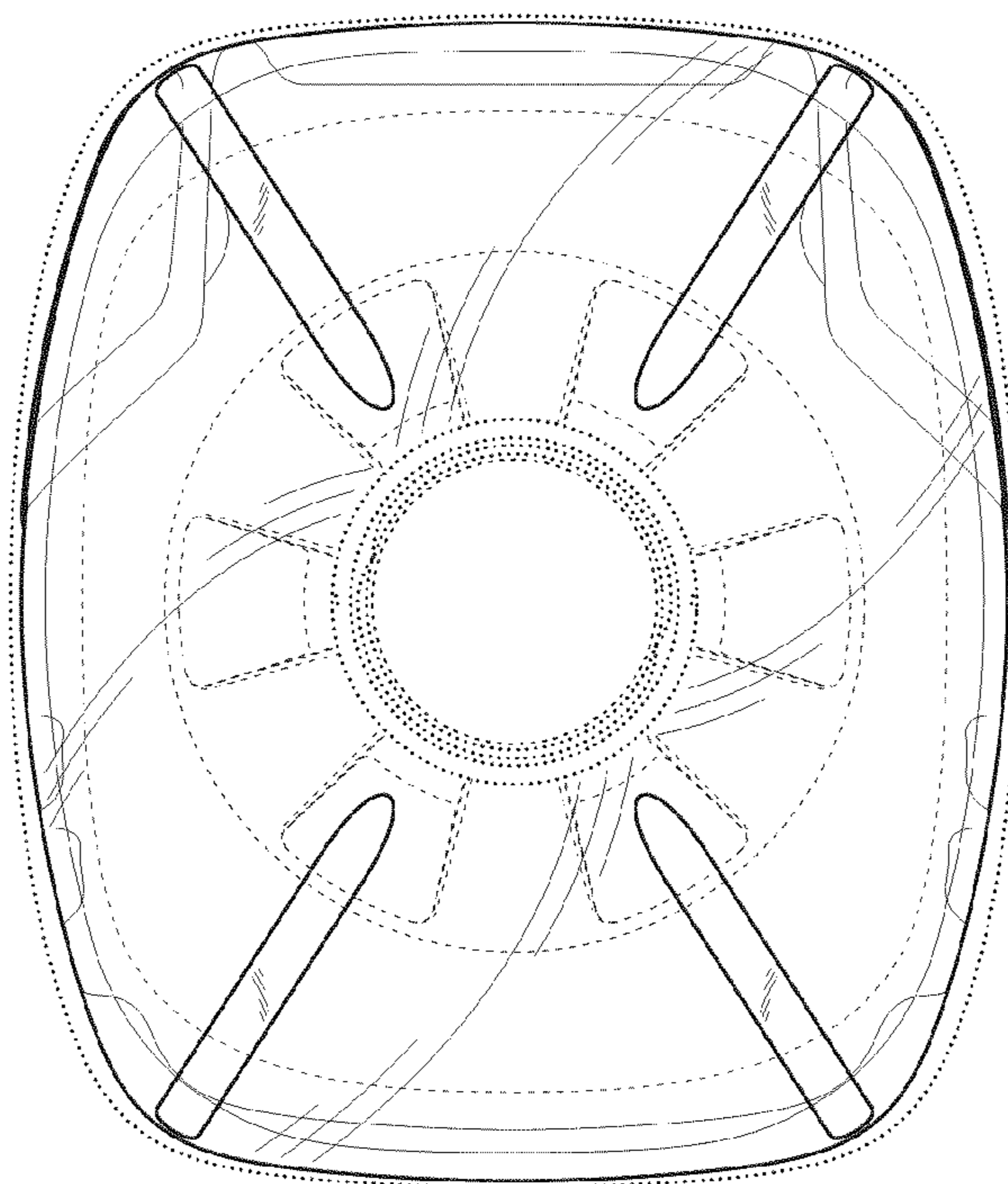


FIG. 6

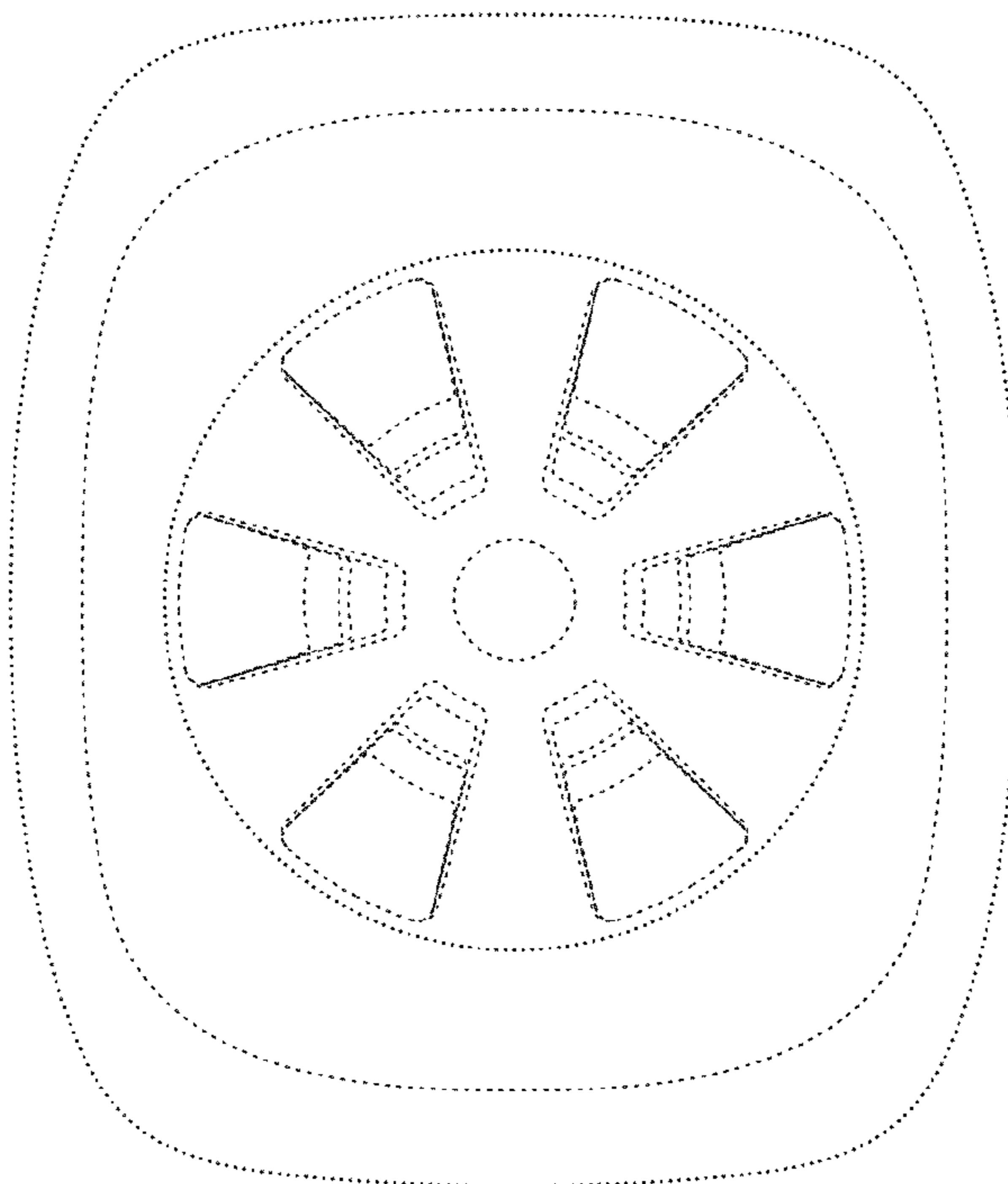


FIG. 7