



US00D651093S

(12) **United States Design Patent**  
**Van Rens**

(10) **Patent No.:** **US D651,093 S**

(45) **Date of Patent:** **\*\* Dec. 27, 2011**

(54) **BOTTLE**

(75) **Inventor:** **John Charles Van Rens**, Cincinnati, OH (US)

(73) **Assignee:** **The Procter & Gamble Company**, Cincinnati, OH (US)

(\*\*) **Term:** **14 Years**

(21) **Appl. No.:** **29/362,477**

(22) **Filed:** **May 26, 2010**

(51) **LOC (9) Cl.** ..... **09-01**

(52) **U.S. Cl.** ..... **D9/541; D9/543; D9/569; D9/571; D9/575**

(58) **Field of Classification Search** ..... D9/516, D9/523, 530, 541, 543, 565, 569, 571, 575, D9/682, 685, 692-694; 215/379, 381-382, 215/384; 220/660, 662, 669

See application file for complete search history.

(56) **References Cited**

**U.S. PATENT DOCUMENTS**

D107,815 S *	1/1938	Barnhart	.....	D9/575 X
D192,535 S *	4/1962	Laudano	.....	D9/543
D209,018 S *	10/1967	Holtz	.....	D9/543
D258,117 S *	2/1981	Bashour	.....	D9/543
D307,394 S *	4/1990	Wetherell, Jr.	.....	D9/543
D354,000 S *	1/1995	Hoyt	.....	D9/569 X
D354,230 S *	1/1995	Hoyt	.....	D9/569 X
D373,956 S *	9/1996	Terwilleger et al.	.....	D9/526
D382,208 S *	8/1997	Goettner et al.	.....	D9/571 X

D387,673 S *	12/1997	Crawford	.....	D9/575
5,979,696 A *	11/1999	Bode et al.	.....	215/382 X
D431,470 S *	10/2000	Henderson	.....	D9/543 X
D455,657 S *	4/2002	Hopley et al.	.....	D9/565 X
D470,418 S *	2/2003	Zaksenberg et al.	.....	D9/569 X
D470,775 S *	2/2003	Zaksenberg et al.	.....	D9/575 X
D540,177 S *	4/2007	Lobo	.....	D9/542
D558,053 S *	12/2007	Lake et al.	.....	D9/541
D565,415 S *	4/2008	Lablaine	.....	D9/531
D600,130 S *	9/2009	Feen	.....	D9/541
D600,561 S *	9/2009	Feen	.....	D9/541
D614,502 S *	4/2010	Verdura et al.	.....	D9/571 X
D614,964 S *	5/2010	Verdura et al.	.....	D9/565 X
D624,423 S *	9/2010	Kissinger et al.	.....	D9/516

\* cited by examiner

*Primary Examiner* — Carol P Rademaker

(74) *Attorney, Agent, or Firm* — John T. Dipre; Amy I. Ahn-Roll; Leonard W. Lewis

(57) **CLAIM**

The ornamental design for a bottle, as shown and described.

**DESCRIPTION**

FIG. 1 is a perspective view of a bottle;

FIG. 2 is a front view thereof;

FIG. 3 is a back view thereof;

FIG. 4 is a left view thereof;

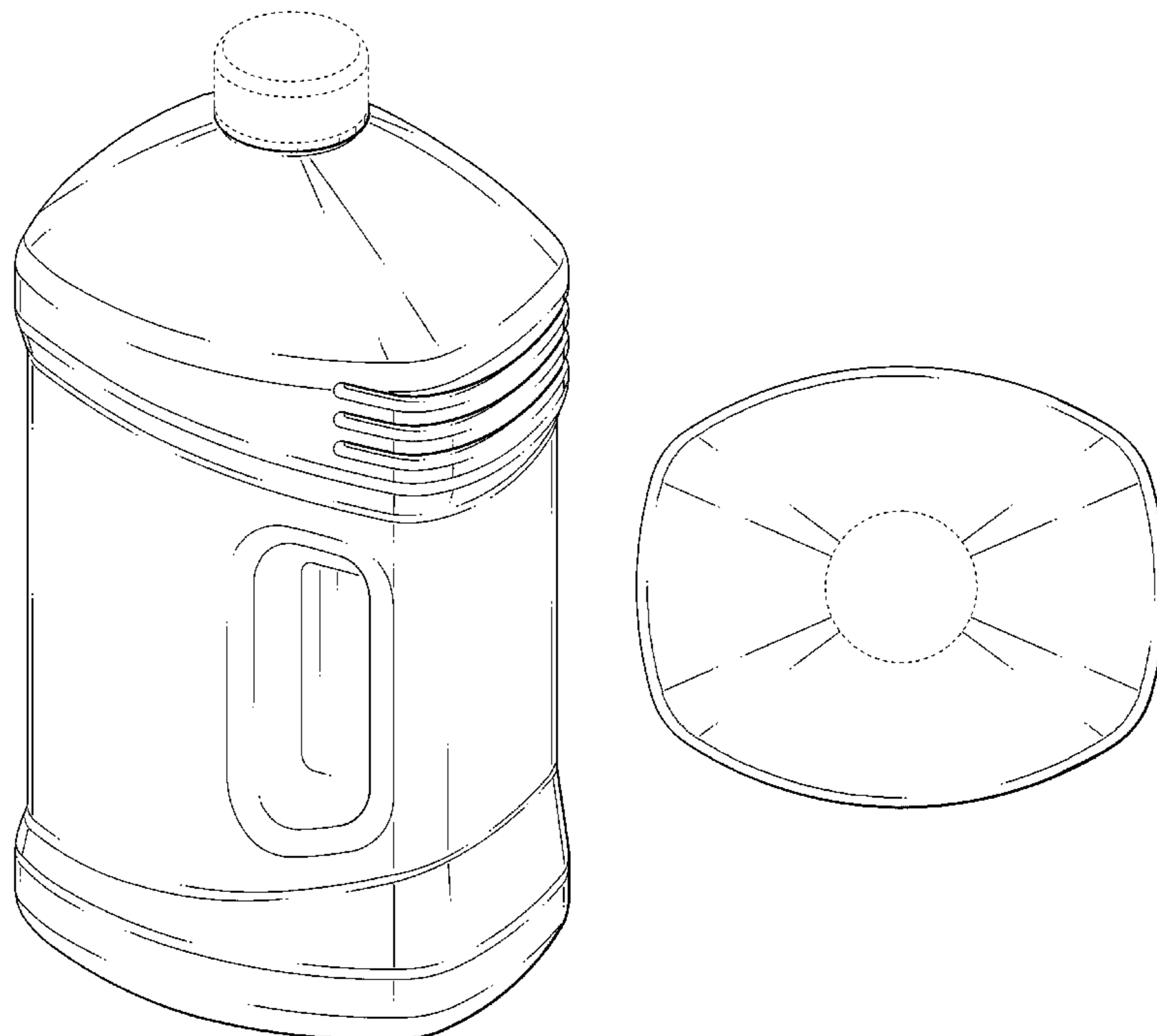
FIG. 5 is a right view thereof;

FIG. 6 is a top view thereof; and,

FIG. 7 is a bottom view thereof.

The broken lines shown in the drawings are for illustrative purposes only and form no part of the claimed design.

**1 Claim, 6 Drawing Sheets**



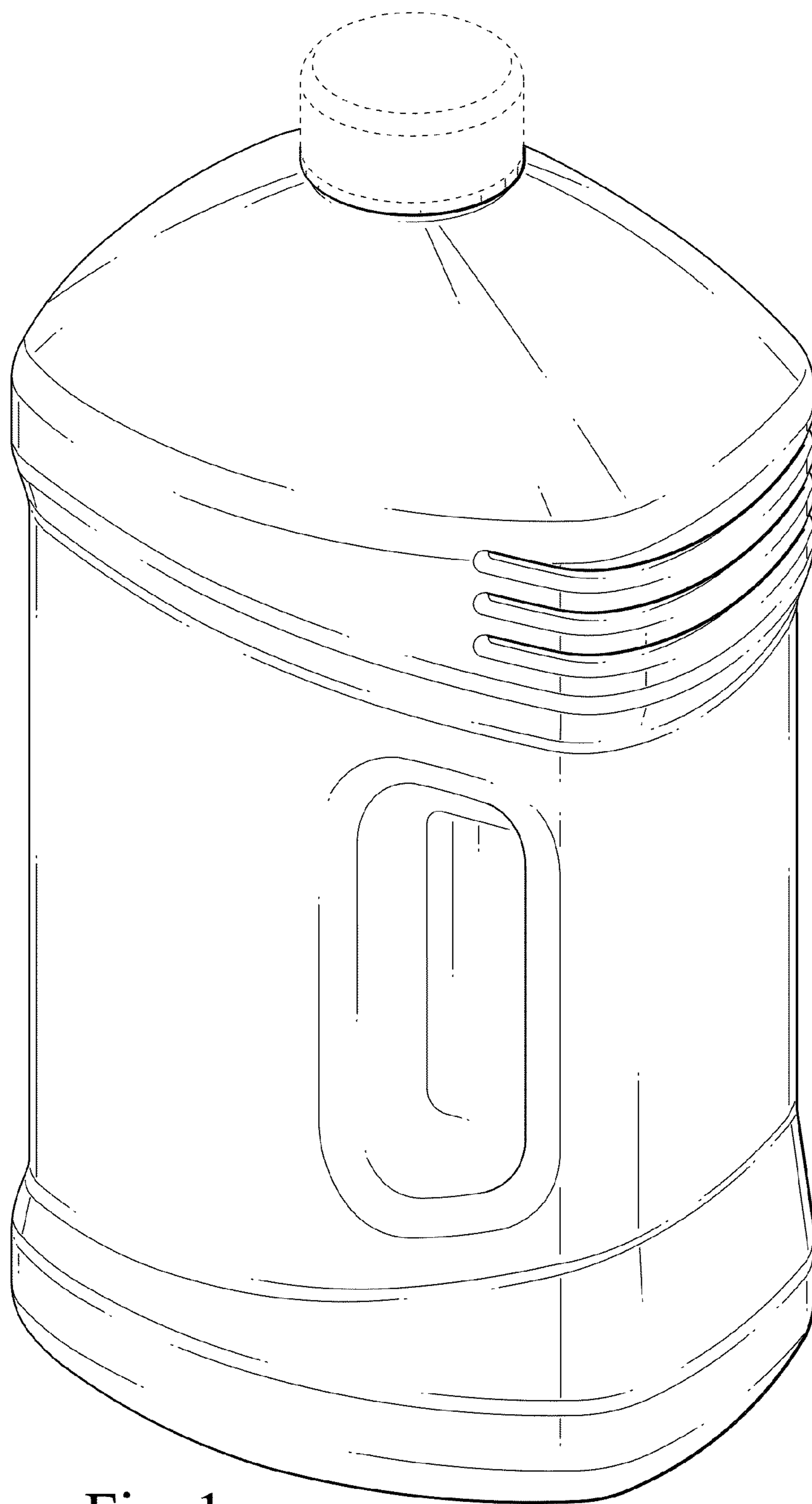


Fig. 1

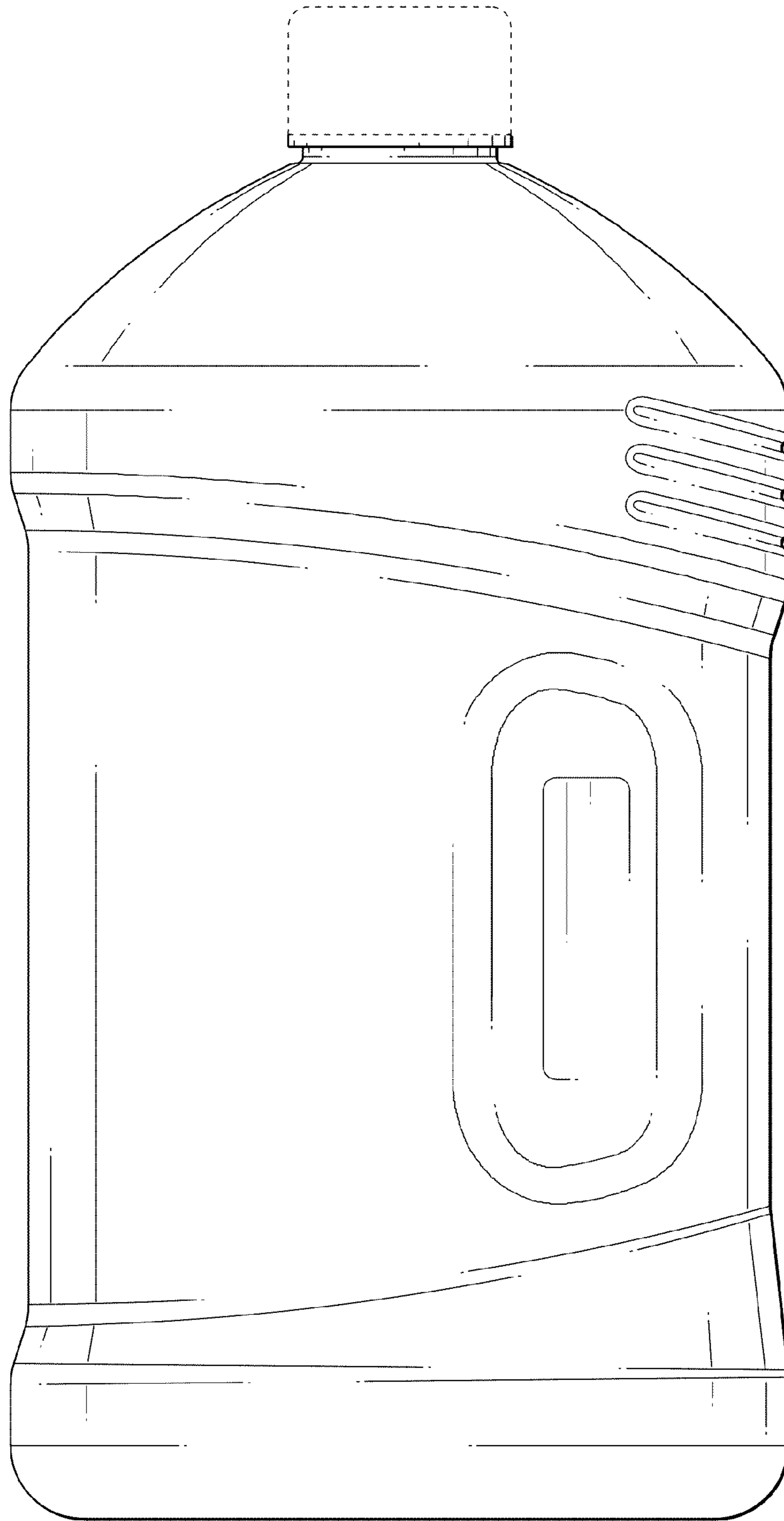


Fig. 2

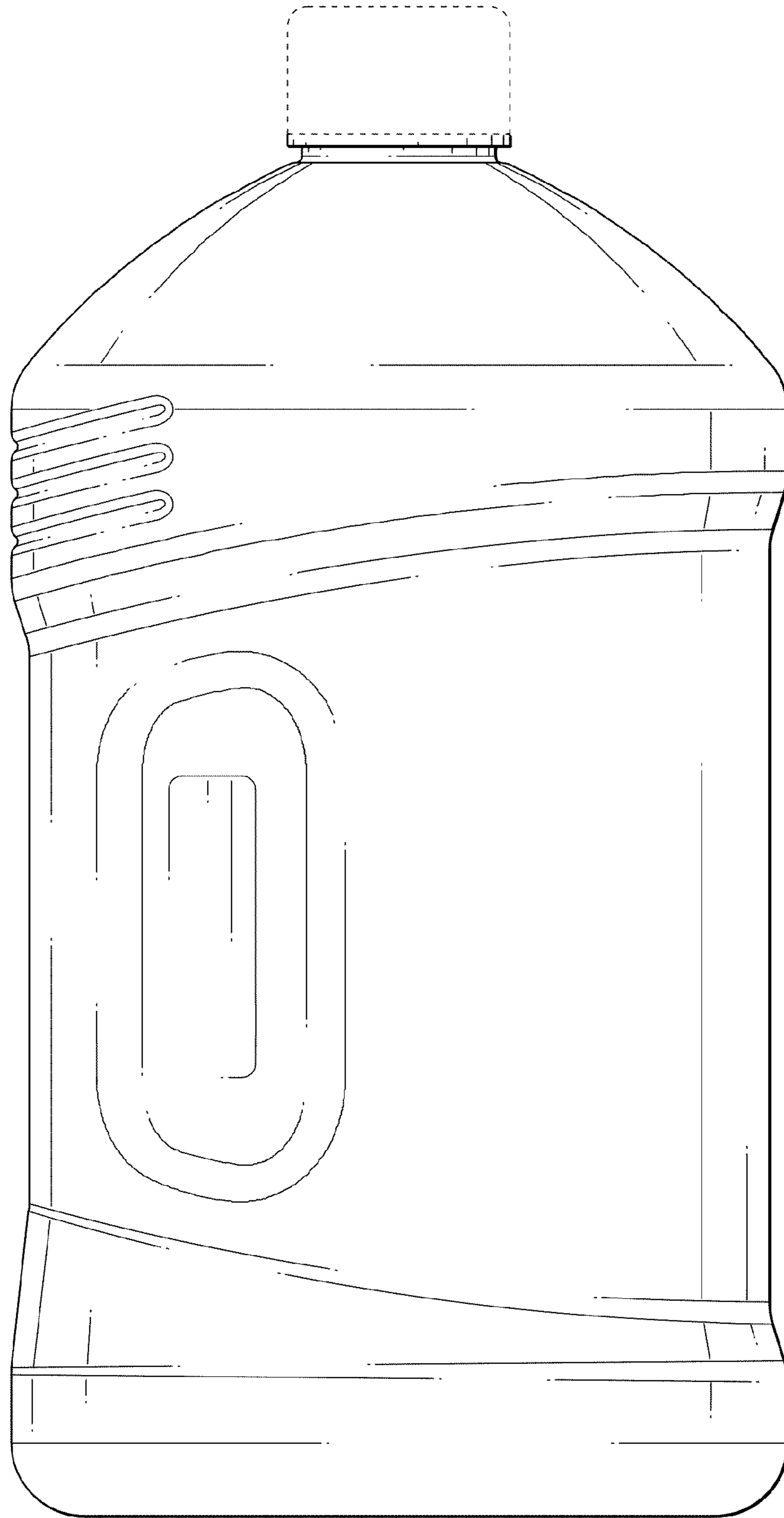


Fig. 3

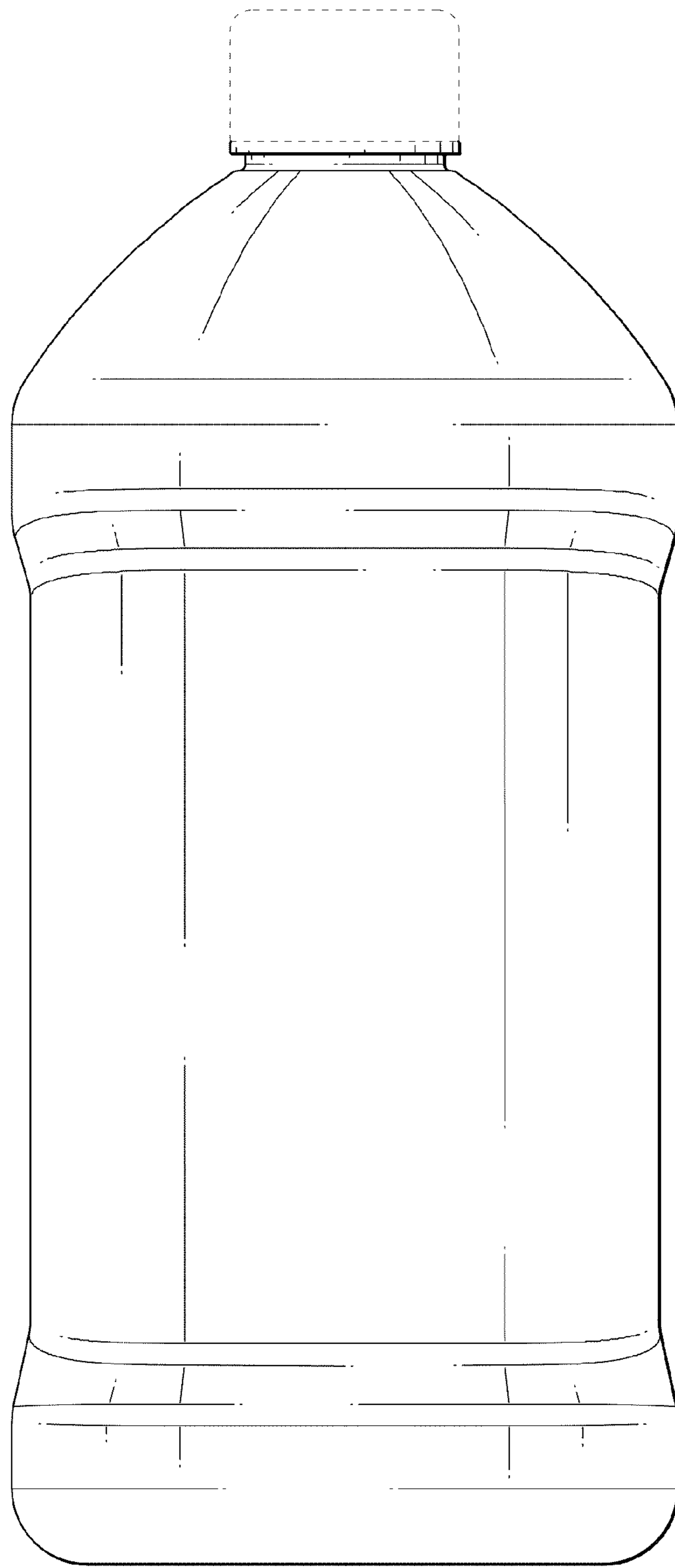


Fig. 4

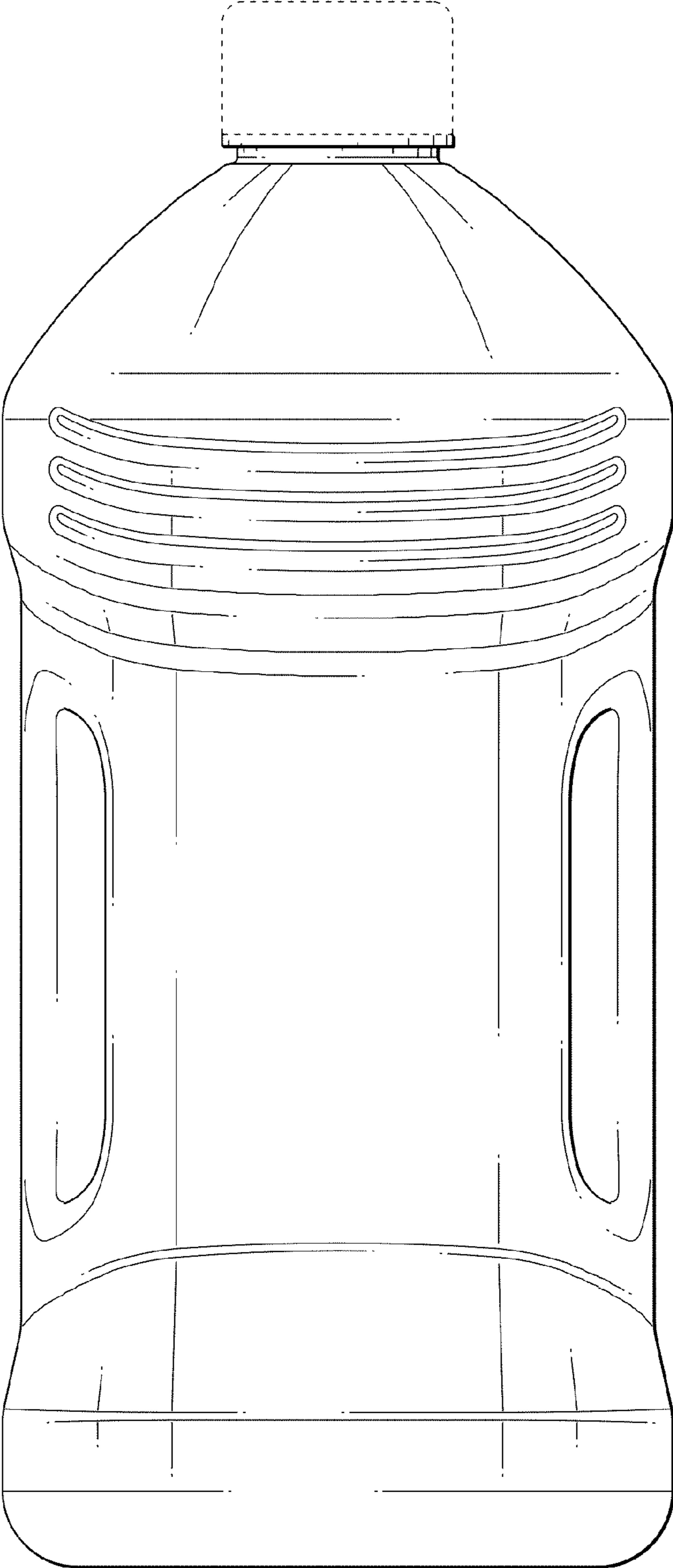


Fig. 5

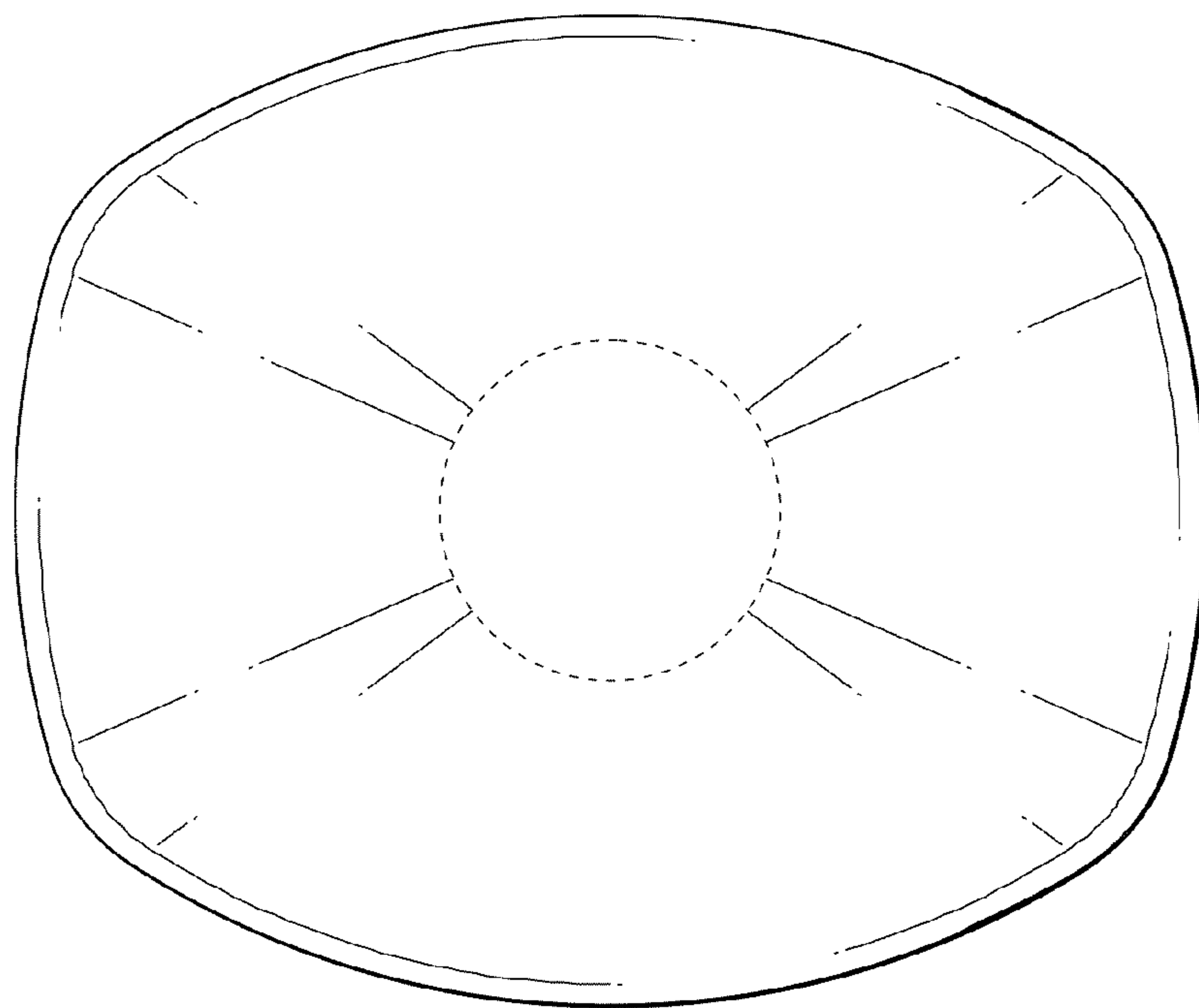


Fig. 6

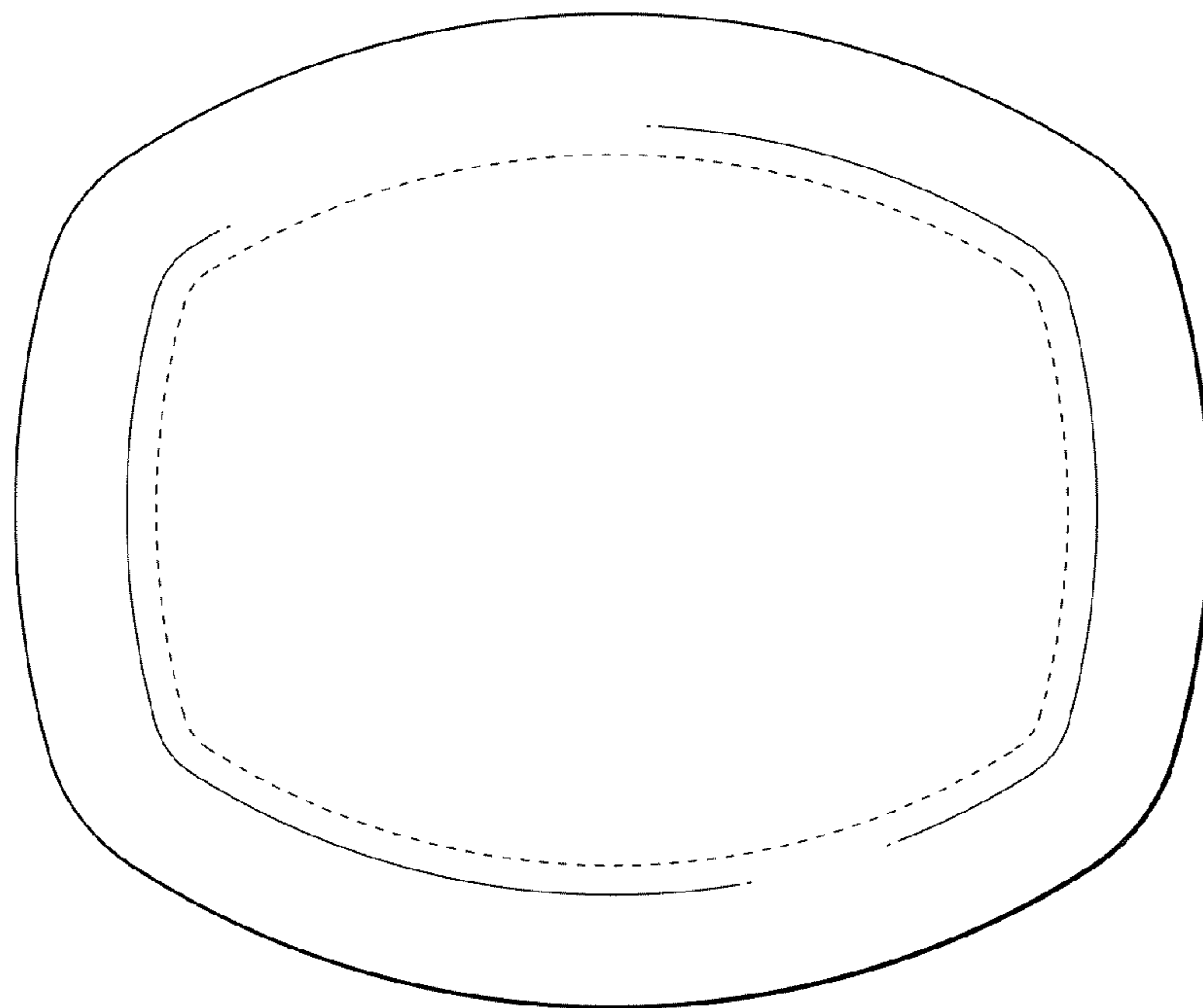


Fig. 7