



US00D651085S

(12) **United States Design Patent**  
**Frias**

(10) **Patent No.:** **US D651,085 S**

(45) **Date of Patent:** **\*\* \*Dec. 27, 2011**

(54) **CONTAINER FOR CLEANSING WIPES**

(75) Inventor: **Lucio Frias**, Cincinnati, OH (US)

(73) Assignee: **The Procter & Gamble Company**,  
Cincinnati, OH (US)

(\*\*) Term: **14 Years**

(21) Appl. No.: **29/376,270**

(22) Filed: **Oct. 5, 2010**

(51) **LOC (9) Cl.** ..... **09-03**

(52) **U.S. Cl.** ..... **D9/451; D9/629; D9/734**

(58) **Field of Classification Search** ..... D9/600,  
D9/629, 730, 734, 414, 416-417, 430-434,  
D9/451; 206/457-458; 215/400; D6/515,  
D6/518

See application file for complete search history.

(56) **References Cited**

**U.S. PATENT DOCUMENTS**

D289,105 S	4/1987	Sussman	
D295,608 S *	5/1988	Tonduti .....	D9/629
5,533,621 A	7/1996	Schoal, Jr.	
D374,744 S	10/1996	Dolan et al.	
5,785,179 A	7/1998	Buczynski et al.	
D422,081 S	3/2000	Wolff	
D436,273 S	1/2001	Lange	
D443,508 S *	6/2001	Braaten et al. ....	D9/734
D454,689 S	3/2002	Gonda et al.	
D459,124 S	6/2002	Le et al.	
D461,403 S	8/2002	Chomik et al.	
D465,685 S *	11/2002	Dellerman et al. ....	D9/435
D466,807 S	12/2002	Buck et al.	
D467,105 S	12/2002	Le et al.	
D467,398 S *	12/2002	Kohn .....	D9/449
D469,287 S	1/2003	Mathews	
D473,789 S	4/2003	Crawford et al.	
D485,461 S *	1/2004	Sams et al. ....	D6/515
D495,910 S *	9/2004	Zaidman .....	D6/518
D531,499 S *	11/2006	Zaidman .....	D9/434
D549,119 S	8/2007	Becker	

D561,583 S	2/2008	Nottingham et al.	
D568,170 S *	5/2008	Prini .....	D9/629
D594,754 S	6/2009	Dretzka	
D630,939 S	1/2011	Peters et al.	
D631,268 S	1/2011	Yang et al.	
D633,387 S	3/2011	Gatto	
2007/0000936 A1	1/2007	Wu et al.	
2008/0253697 A1	10/2008	O'Neill et al.	

**OTHER PUBLICATIONS**

U.S. Appl. No. 61/386,206, filed Sep. 24, 2010, Richard Shane Mays, et al.

U.S. Appl. No. 29/376,269, filed Oct. 5, 2010, Lucio Frias.

U.S. Appl. No. 29/376,272, filed Oct. 5, 2010, Lucio Frias.

U.S. Appl. No. 29/376,273, filed Oct. 5, 2010, Lucio Frias.

U.S. Appl. No. 29/376,276, filed Oct. 5, 2010, Lucio Frias.

U.S. Appl. No. 29/376,277, filed Oct. 5, 2010, Lucio Frias.

U.S. Appl. No. 29/367,279, filed Oct. 5, 2010, Lucio Frias.

\* cited by examiner

*Primary Examiner* — Sandra Morris

(74) *Attorney, Agent, or Firm* — Amy M. Foust; Abbey A. Lopez

(57) **CLAIM**

The ornamental design for a container for cleansing wipes, as shown and described.

**DESCRIPTION**

FIG. 1 is a perspective view of a container showing my new design;

FIG. 2 is a front elevational view thereof;

FIG. 3 is a rear elevational view thereof;

FIG. 4 is a left side elevational view thereof;

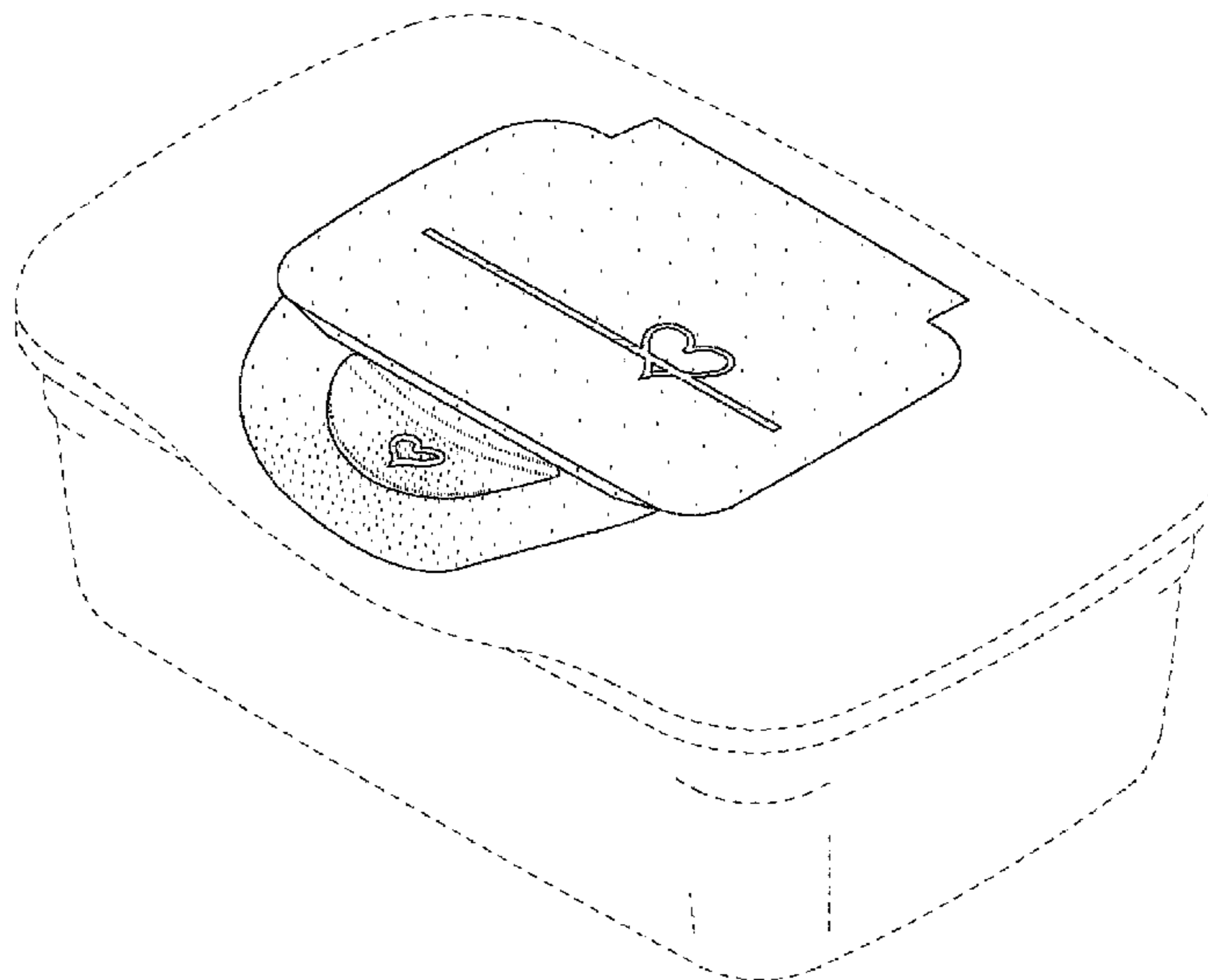
FIG. 5 is a right side elevational view thereof;

FIG. 6 is a top elevational view thereof; and,

FIG. 7 is a bottom elevational view thereof.

The broken line showing is for illustrative purposes only, and forms no part of the claimed design.

**1 Claim, 4 Drawing Sheets**



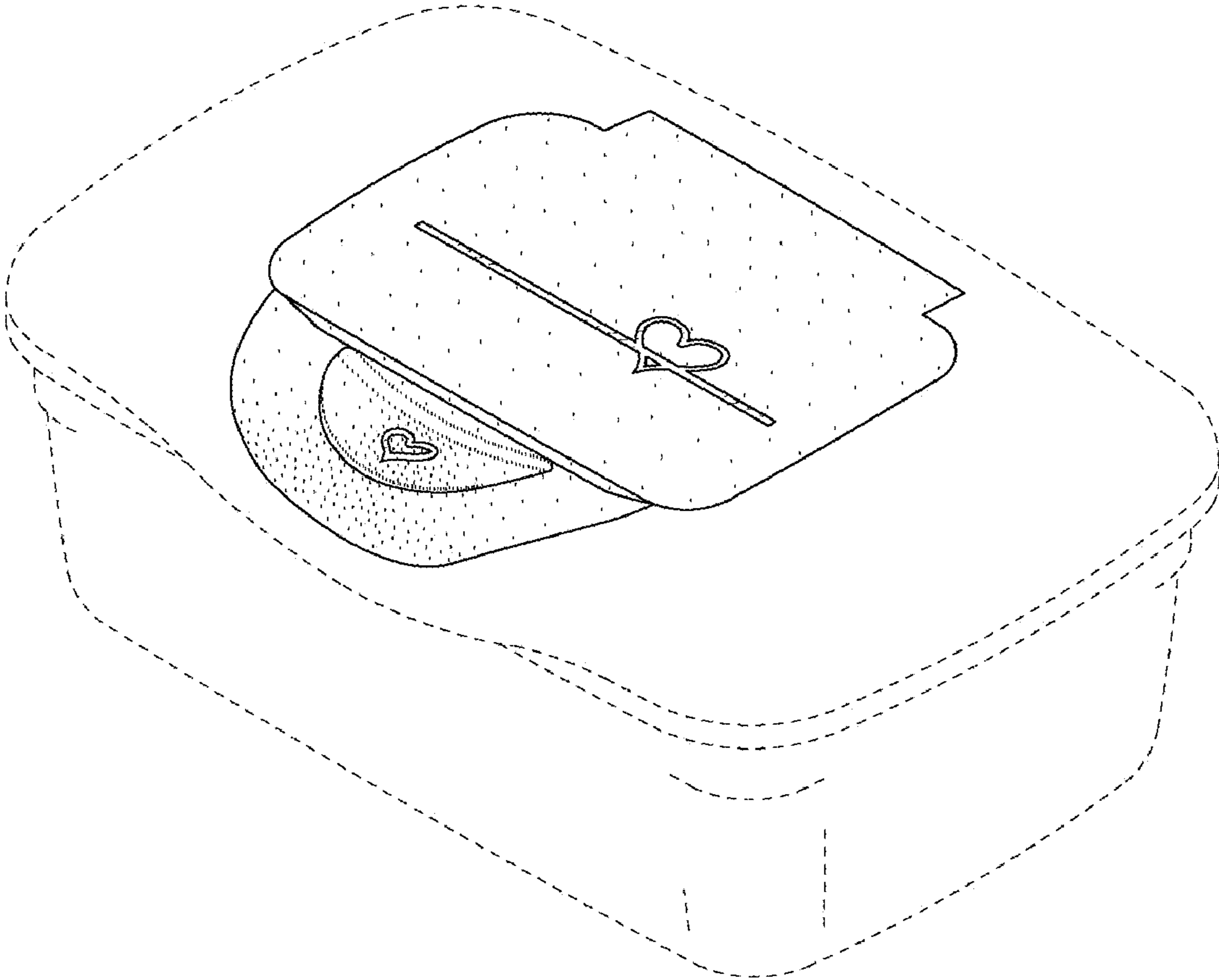


FIG. 1

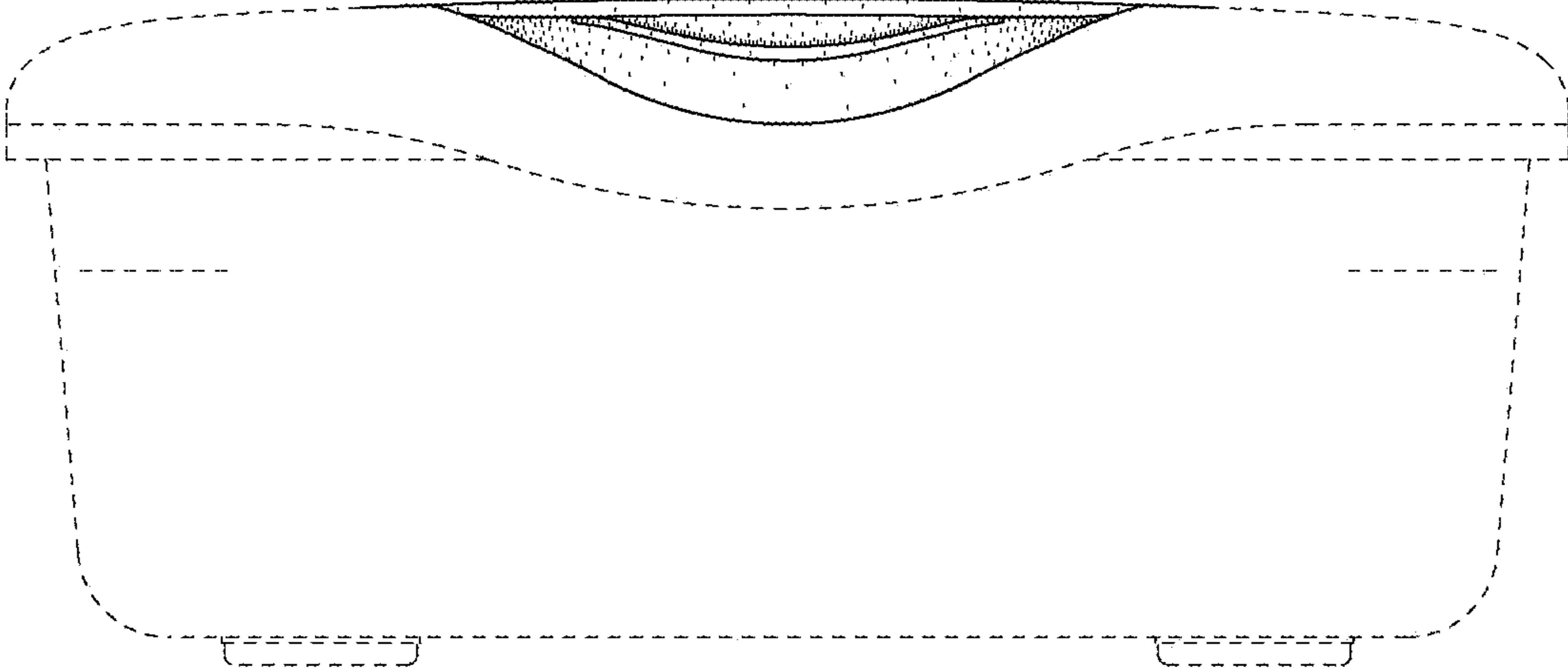


FIG. 2

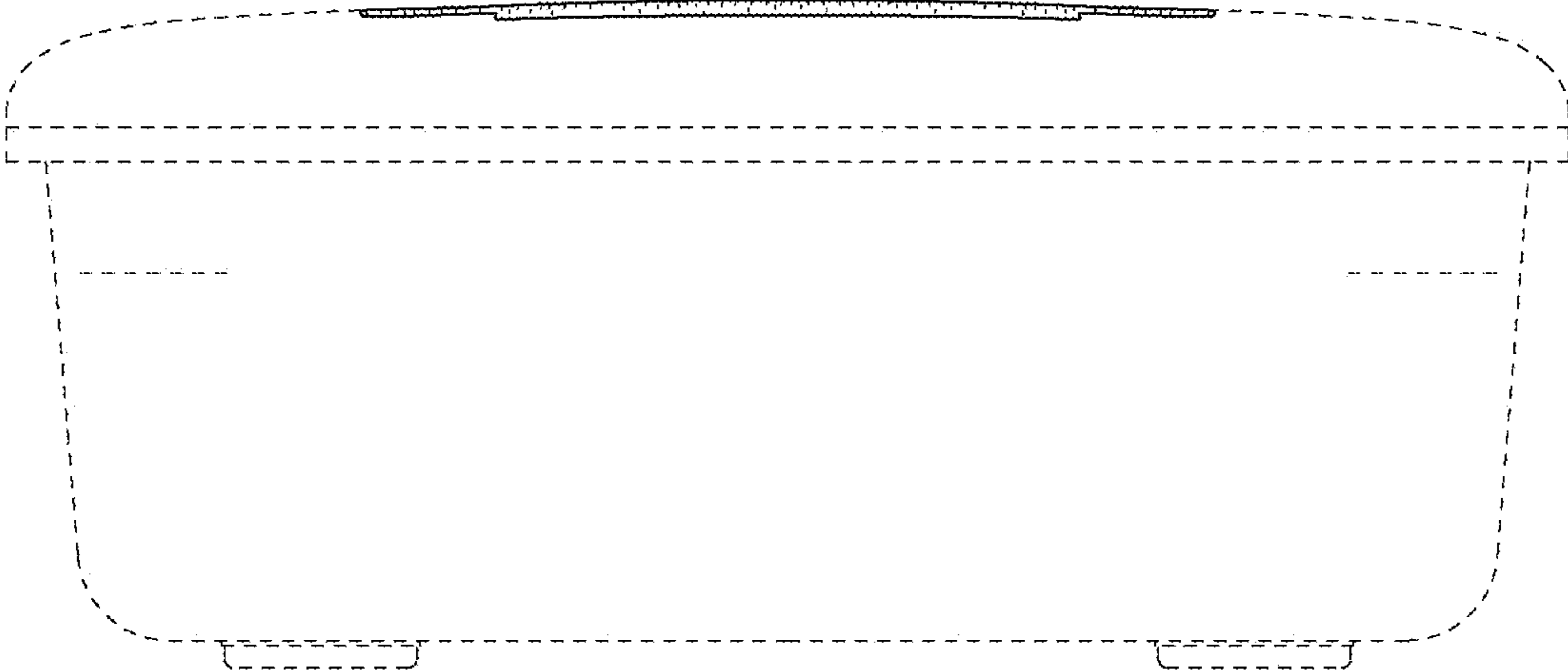


FIG. 3

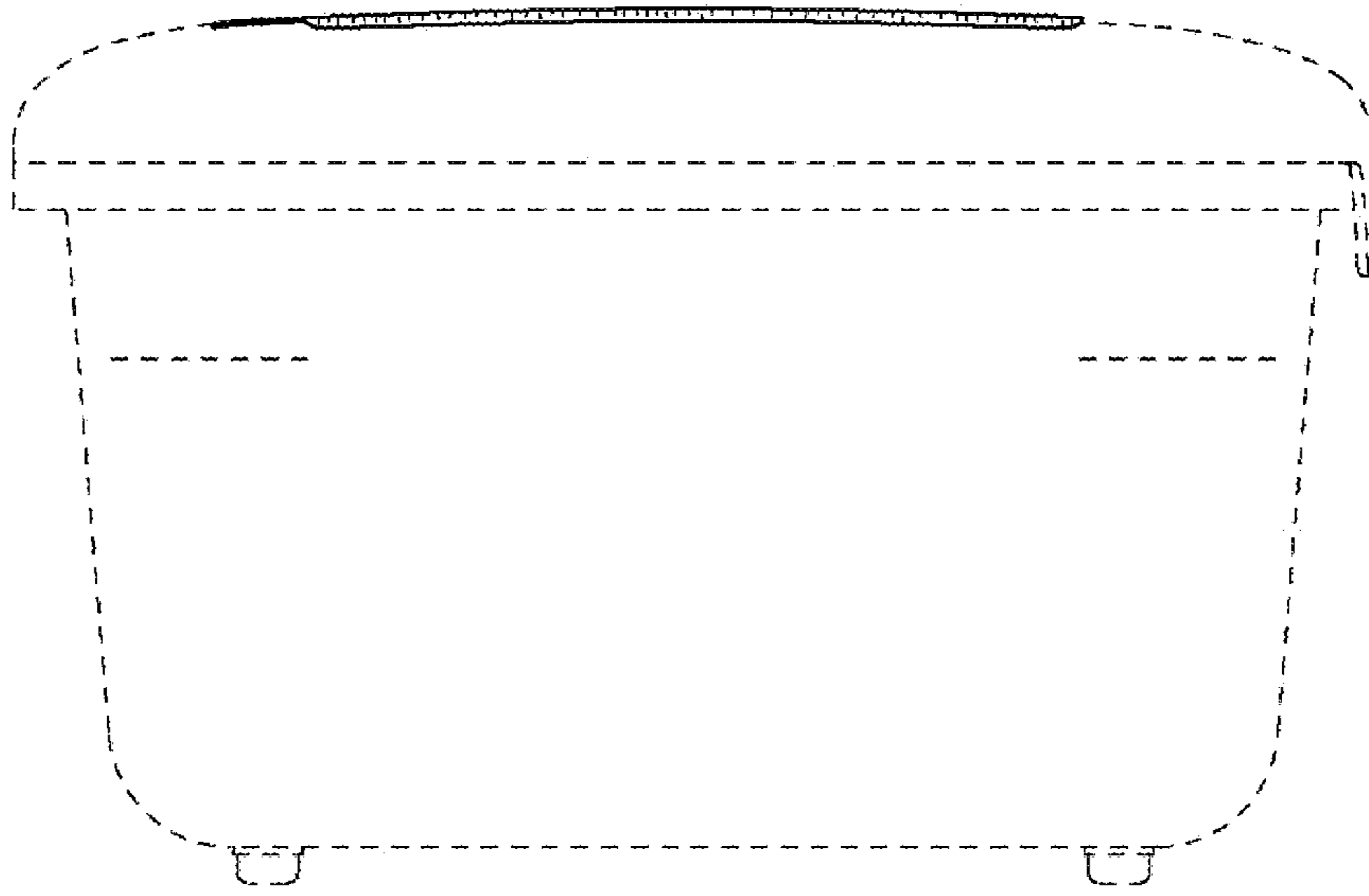


FIG. 4

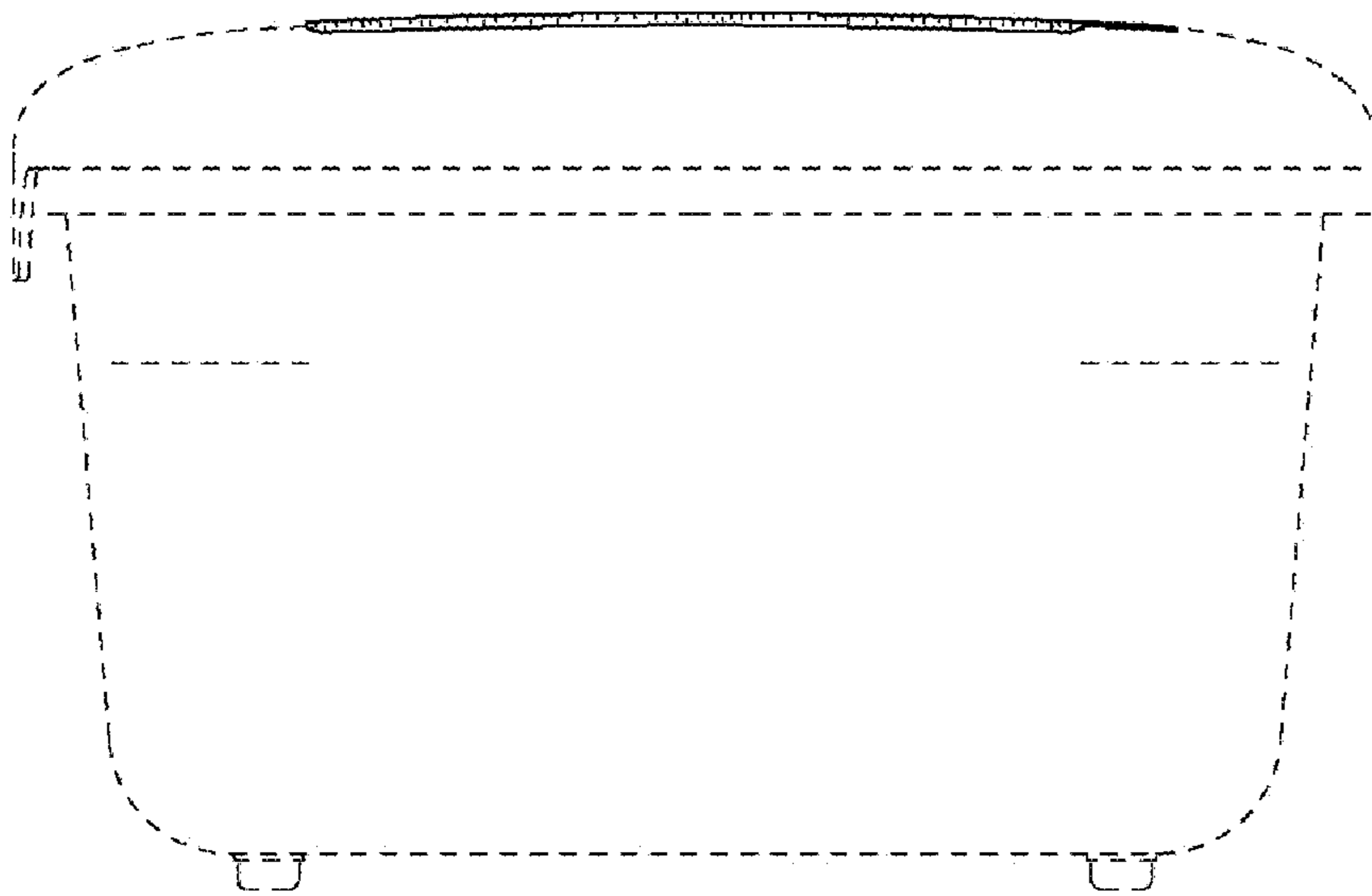


FIG. 5

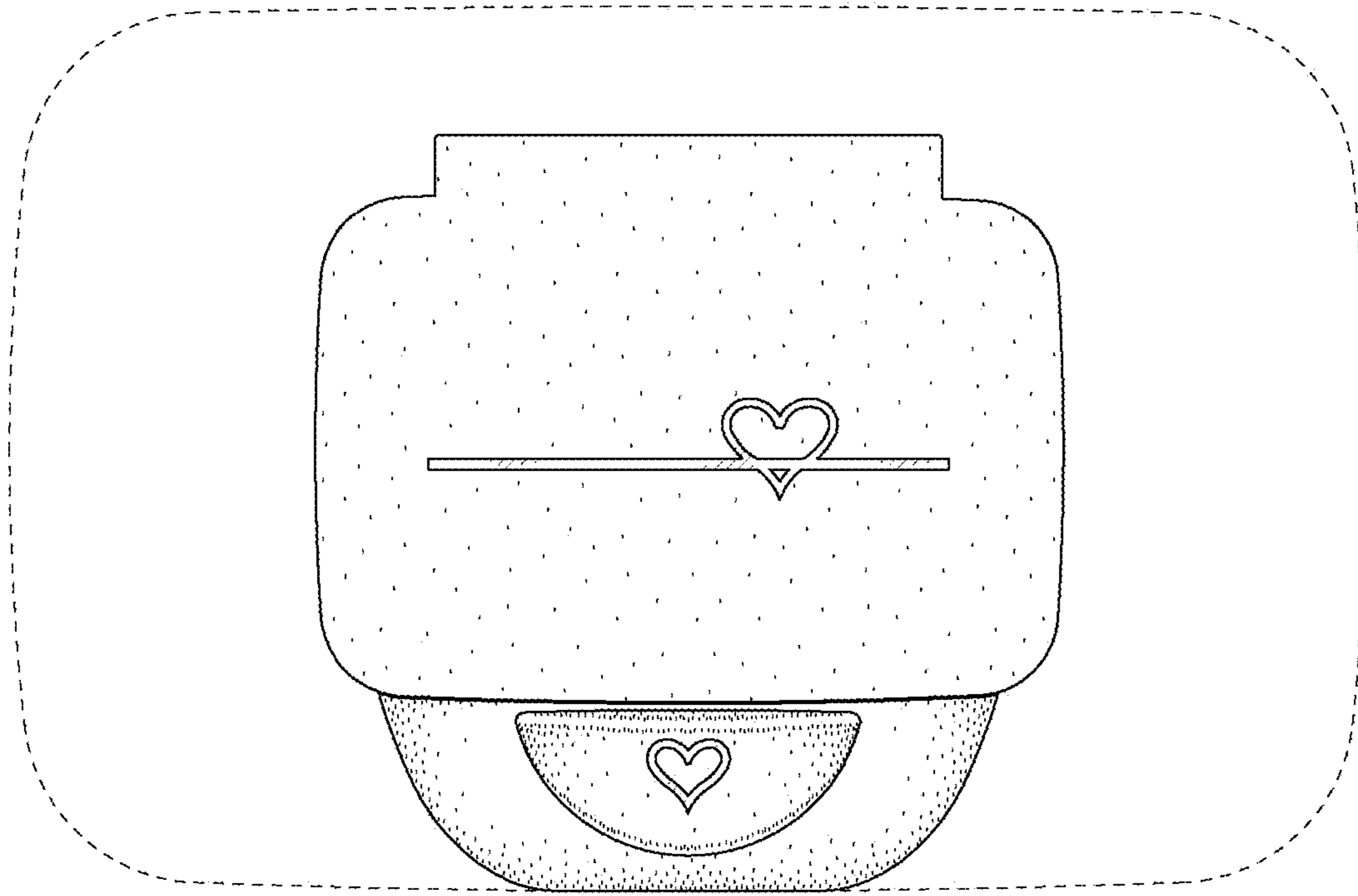


FIG. 6

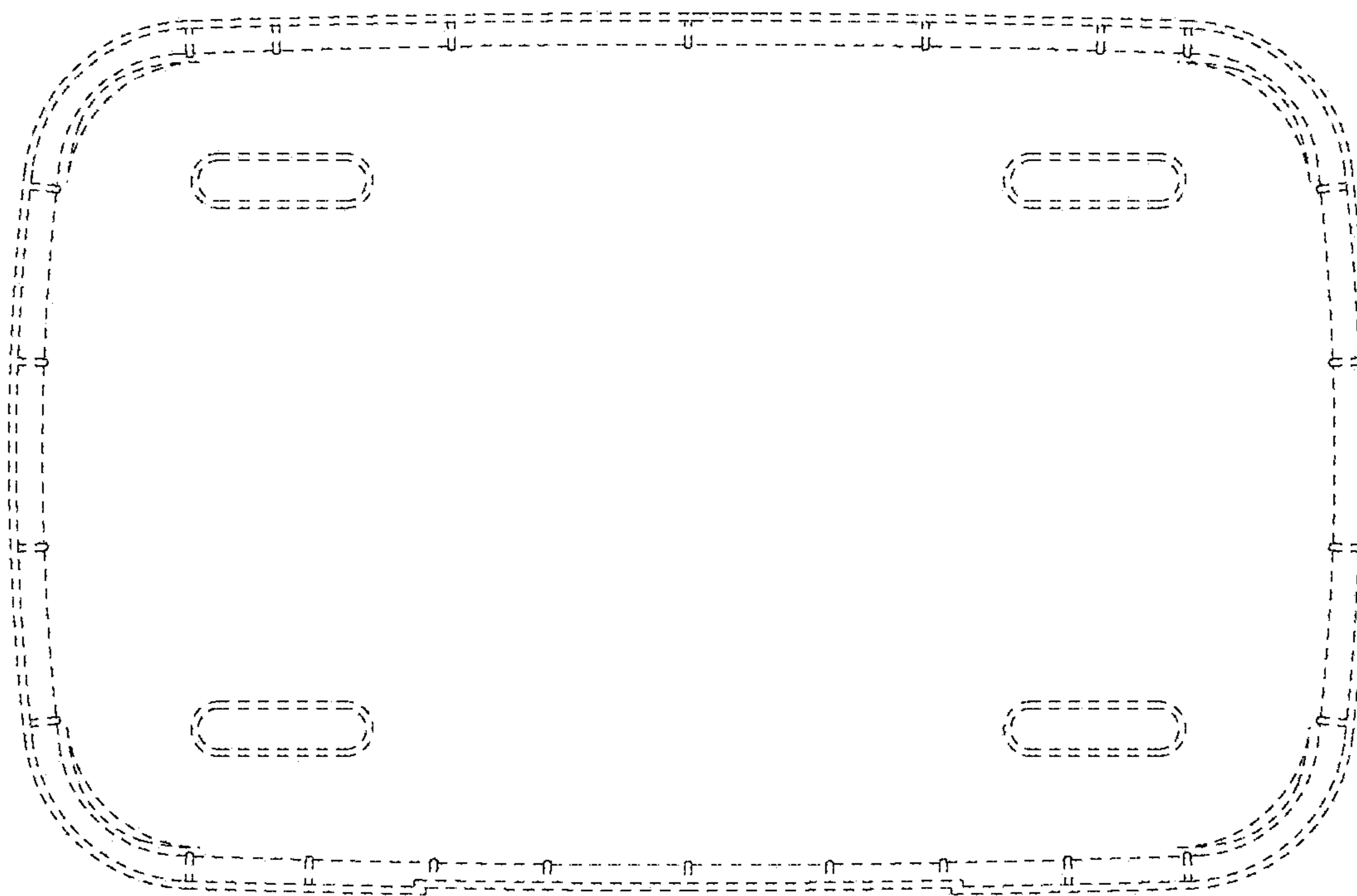


FIG. 7