



US00D651077S

(12) **United States Design Patent**
Frias

(10) **Patent No.:** **US D651,077 S**
(45) **Date of Patent:** **** Dec. 27, 2011**

(54) **CONTAINER FOR CLEANSING WIPES**
(75) Inventor: **Lucio Frias**, Cincinnati, OH (US)
(73) Assignee: **The Procter & Gamble Company**,
Cincinnati, OH (US)
(**) Term: **14 Years**
(21) Appl. No.: **29/376,269**
(22) Filed: **Oct. 5, 2010**
(51) **LOC (9) Cl.** **09-07**
(52) **U.S. Cl.** **D9/434**
(58) **Field of Classification Search** D9/734,
D9/707, 629, 456, 435, 434, 433, 432, 427,
D9/425, 424, 423, 420, 418, 414, 430; D7/354;
D6/518, 515; D3/294, 302; D27/189; 383/42;
220/4.23, 409, 784, 778, 776, 494, 482, 268,
220/265; D5/61.1; D23/261, 260
See application file for complete search history.

D561,583 S 2/2008 Nottingham et al.
D568,170 S 5/2008 Prini
D594,754 S 6/2009 Dretzka
D630,939 S 1/2011 Peters et al.
D631,268 S 1/2011 Yang et al.
D633,387 S 3/2011 Gatto
2007/0000936 A1 1/2007 Wu et al.
2008/0253697 A1 10/2008 O'Neill et al.

OTHER PUBLICATIONS

U.S. Appl. No. 11/784,813, filed Apr. 10, 2007, Kilian John O'Neill,
et al.
U.S. Appl. No. 61/386,206, filed Sep. 24, 2010, Richard Shane Mays,
et al.
U.S. Appl. No. 29/376,270, filed Oct. 5, 2010, Lucio Frias.
U.S. Appl. No. 29/376,272, filed Oct. 5, 2010, Lucio Frias.
U.S. Appl. No. 29/376,273, filed Oct. 5, 2010, Lucio Frias.
U.S. Appl. No. 29/376,276, filed Oct. 5, 2010, Lucio Frias. U.S. Appl.
No. 29/376,277, filed Oct. 5, 2010, Lucio Frias.
U.S. Appl. No. 29/376,279, filed Oct. 5, 2010, Lucio Frias.

* cited by examiner

Primary Examiner — Susan Bennett Hattan
(74) *Attorney, Agent, or Firm* — Amy M. Foust; Abbey A.
Lopez

(56) **References Cited**

U.S. PATENT DOCUMENTS

D289,105 S 4/1987 Sussman
D295,608 S 5/1988 Tonduti
5,533,621 A 7/1996 Schoal, Jr.
D374,774 S * 10/1996 Cassel D3/294
5,785,179 A * 7/1998 Buczwinski et al. 206/494
D422,081 S 3/2000 Wolff
D436,273 S 1/2001 Lange
D443,508 S 6/2001 Braaten et al.
D454,689 S * 3/2002 Gonda et al. D3/294
D459,124 S * 6/2002 Le et al. D9/734
D461,403 S 8/2002 Chomik et al.
D465,685 S 11/2002 Dellerman et al.
D466,807 S * 12/2002 Buck et al. D9/425
D467,105 S 12/2002 Le et al.
D467,398 S 12/2002 Kohn
D469,287 S * 1/2003 Mathews D9/435
D473,789 S * 4/2003 Crawford et al. D9/430
D485,461 S 1/2004 Sams et al.
D495,910 S 9/2004 Zaidman
D531,499 S 11/2006 Zaidman
D549,119 S 8/2007 Becker

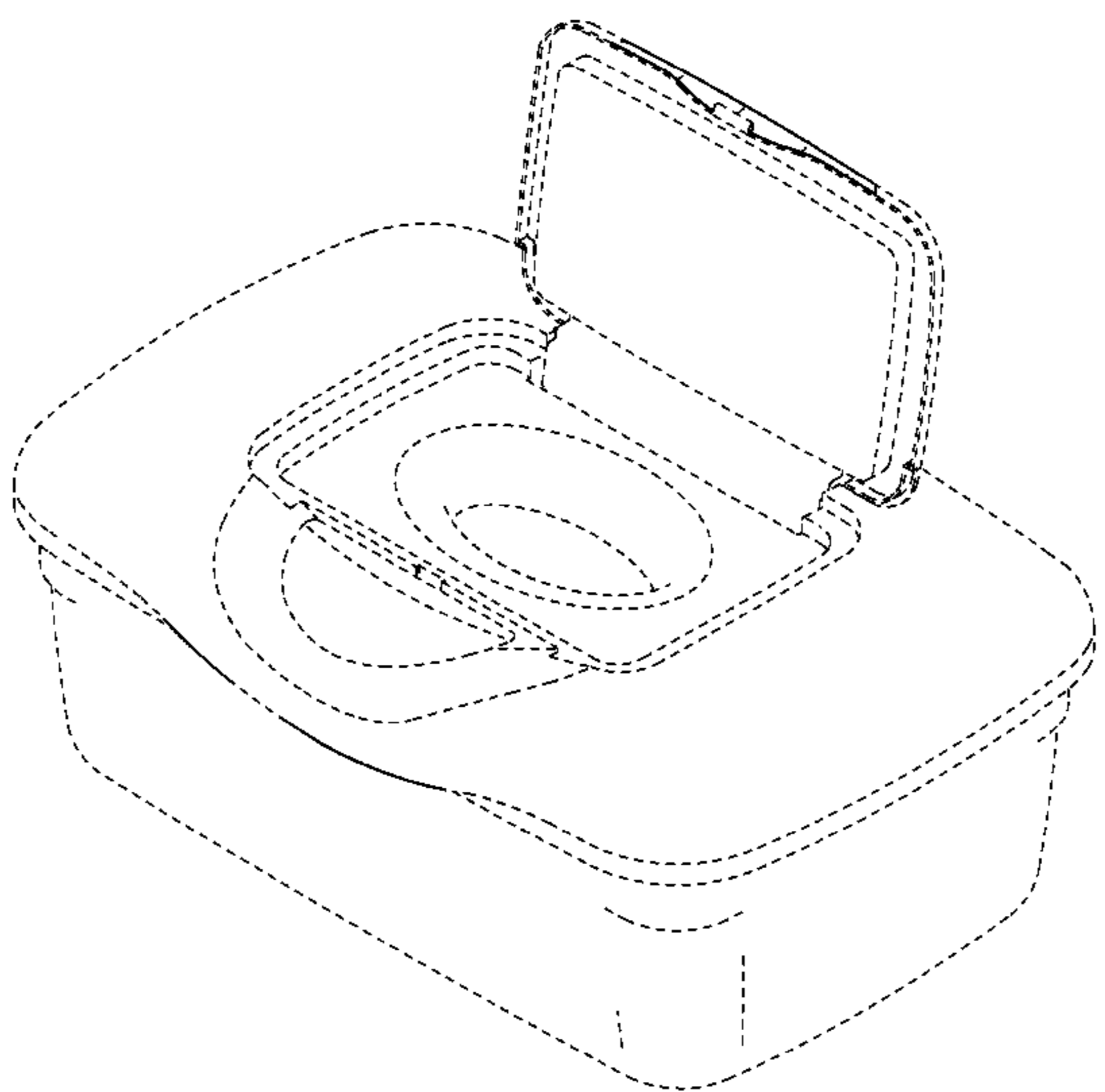
(57) **CLAIM**

The ornamental design for a container for cleansing wipes, as
shown and described.

DESCRIPTION

FIG. 1 is a perspective view of a container for cleansing wipes
showing my new design;
FIG. 2 is a front elevational view thereof;
FIG. 3 is a rear elevational view thereof;
FIG. 4 is a left side elevational view thereof;
FIG. 5 is a right side elevational view thereof;
FIG. 6 is a top elevational view thereof; and,
FIG. 7 is a bottom elevational view thereof.
The broken lines in the drawing depict environmental subject
matter only and form no part of the claimed design.

1 Claim, 4 Drawing Sheets



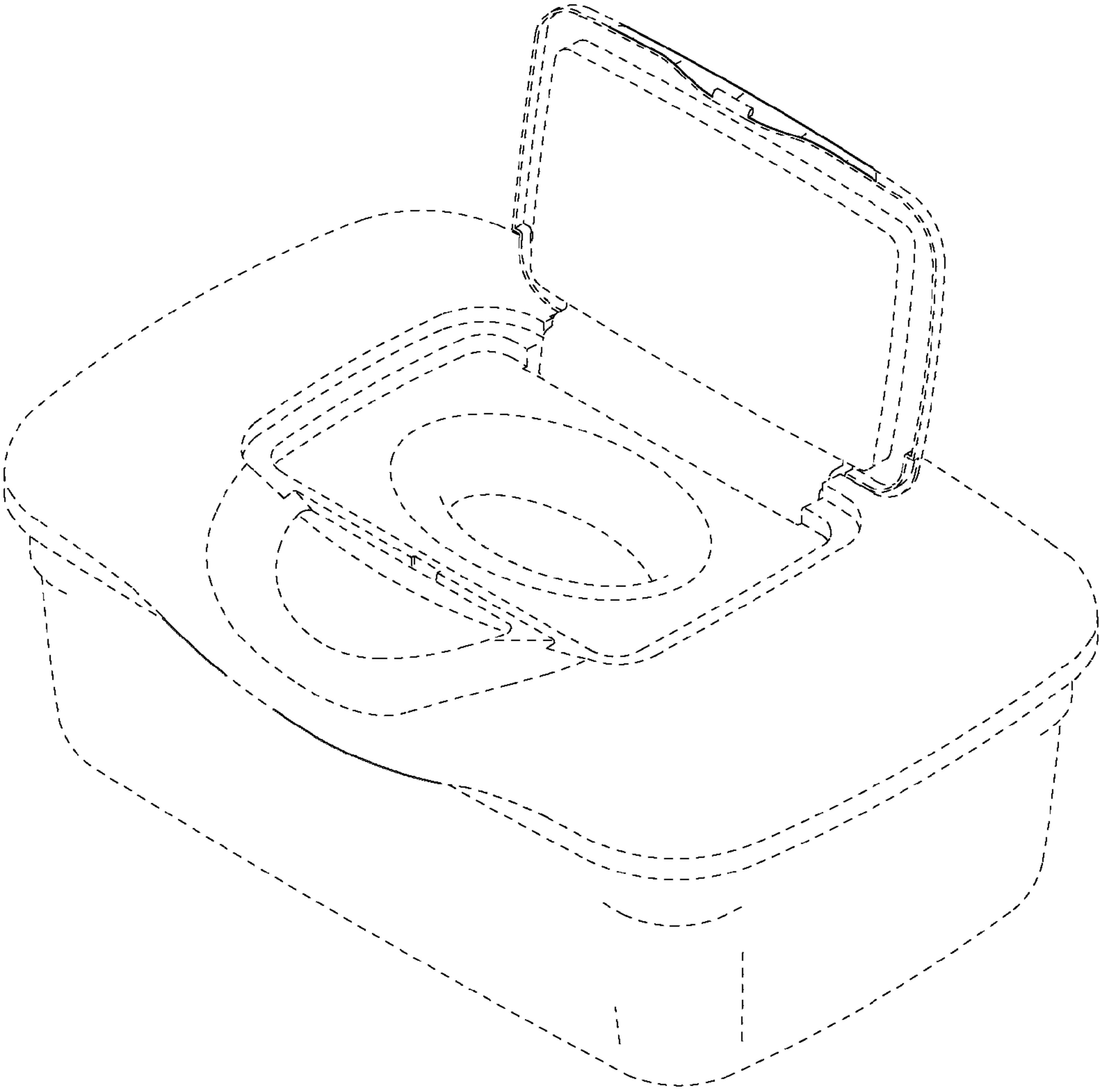


FIG. 1

FIG. 2

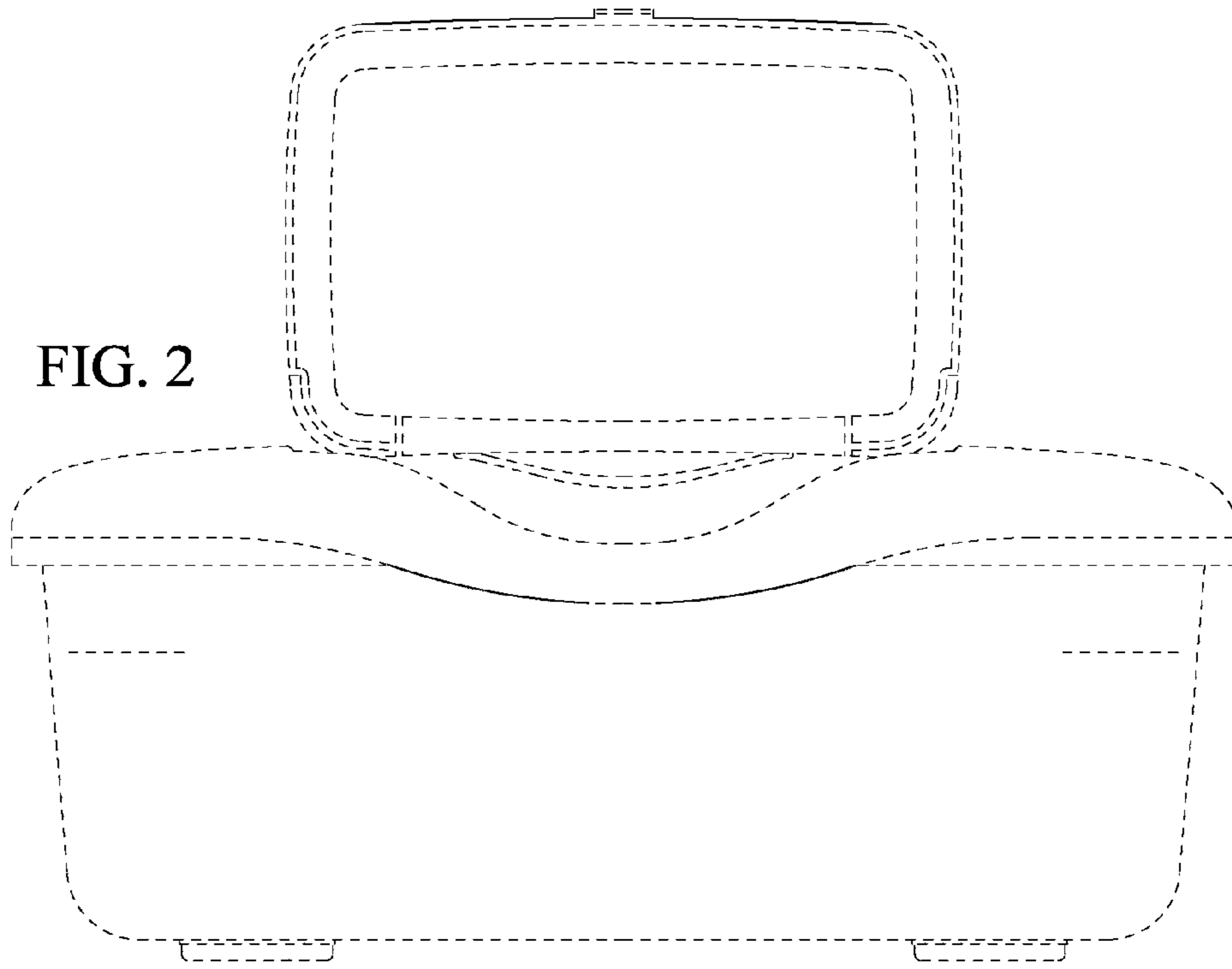
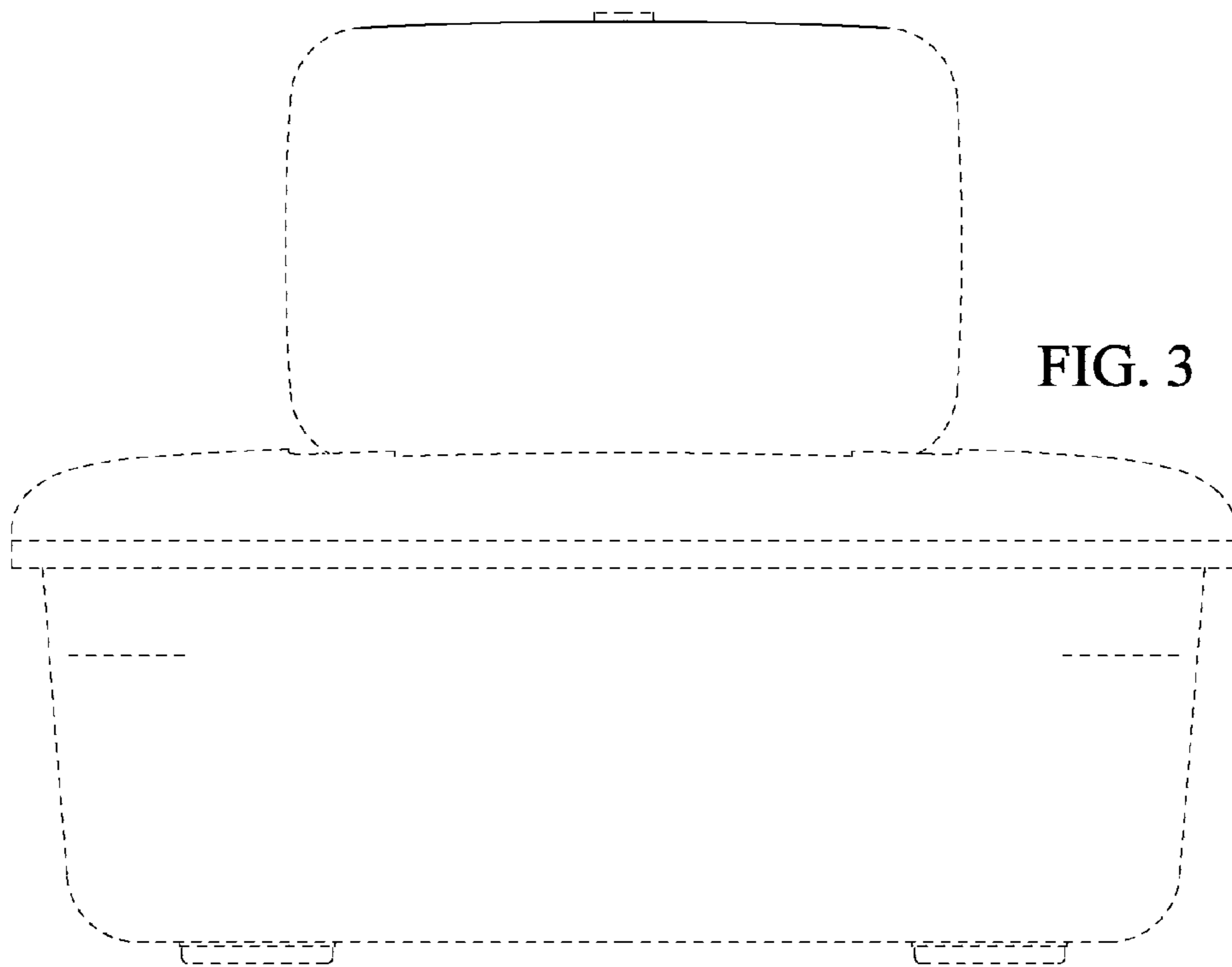


FIG. 3



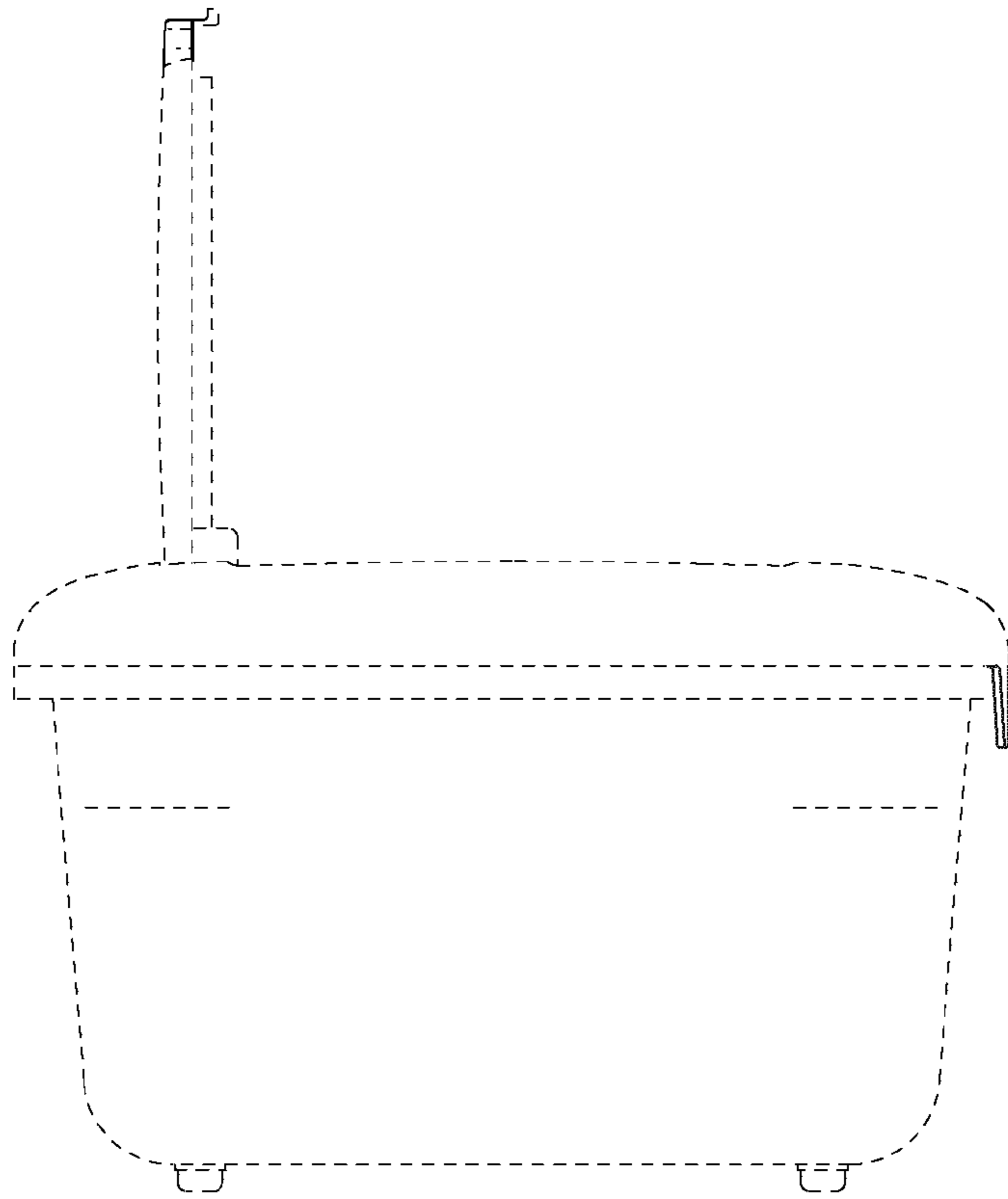


FIG. 4

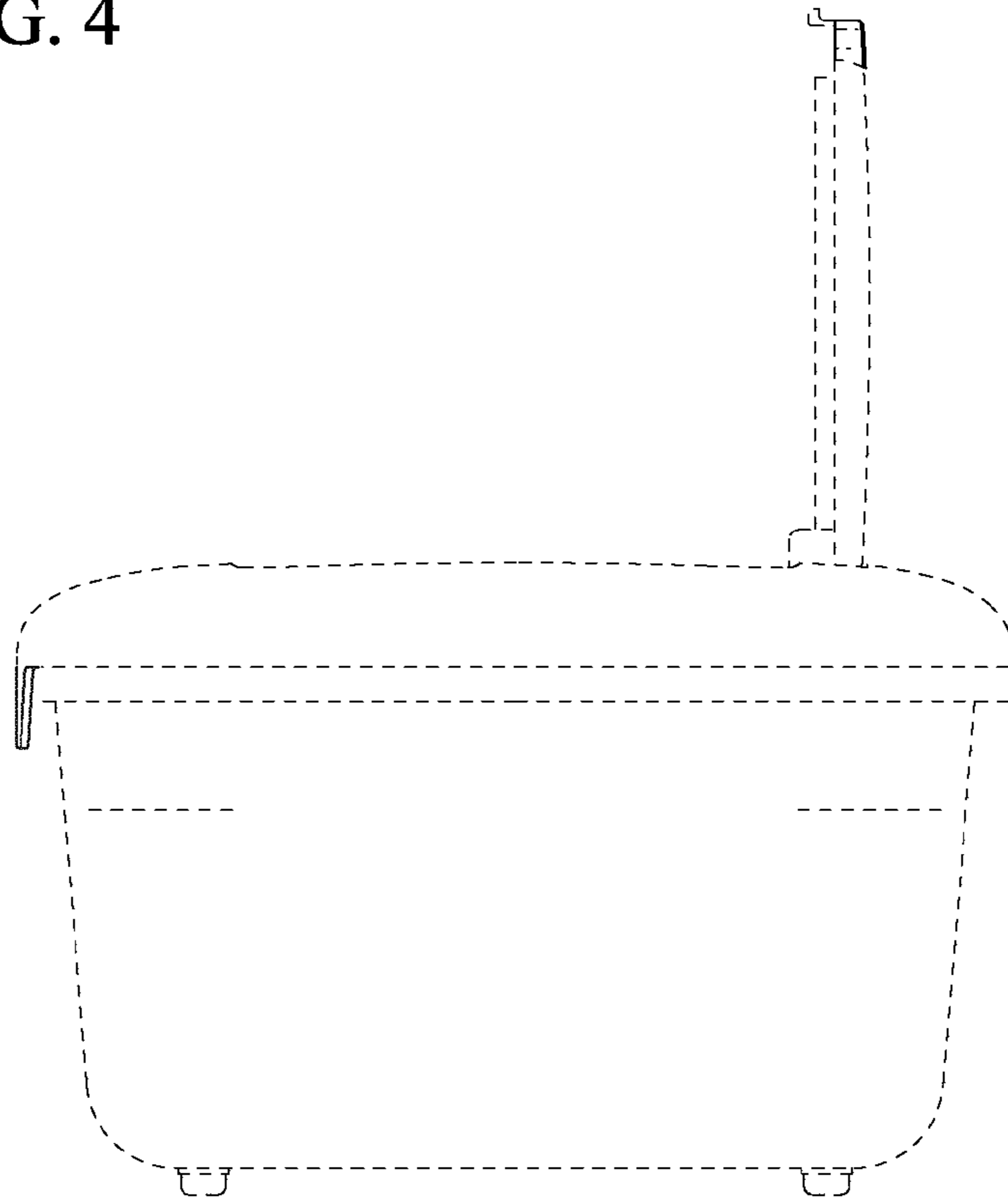


FIG. 5

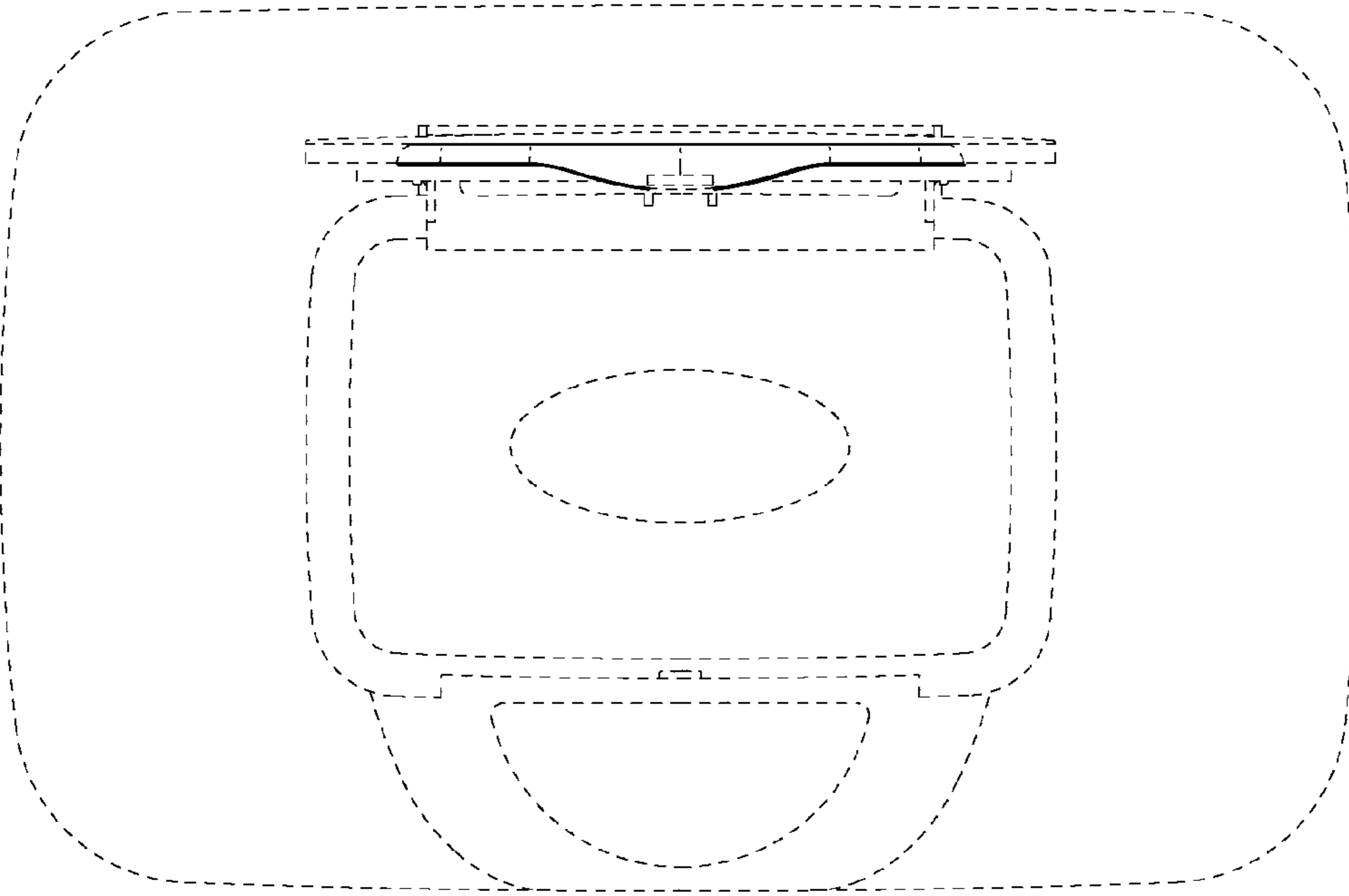


FIG. 6

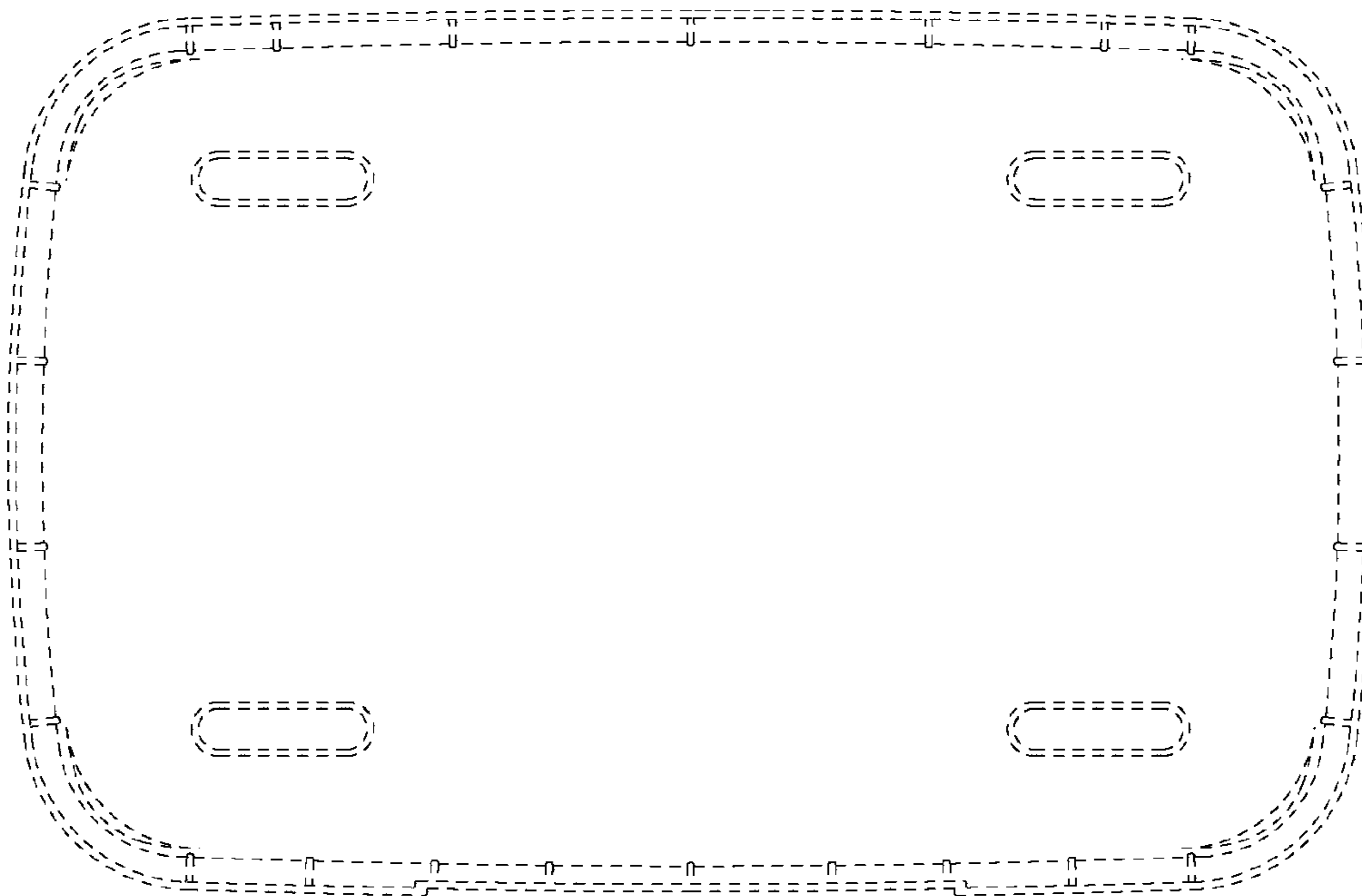


FIG. 7