



US00D651076S

(12) **United States Design Patent**  
**Van Berlo**

(10) **Patent No.:** **US D651,076 S**

(45) **Date of Patent:** **\*\* Dec. 27, 2011**

(54) **BOX**

(75) Inventor: **Patrick Petrus Antonius Maria Van Berlo**, Cambridge (NZ)

(73) Assignee: **Corcel IP Limited**, Hamilton (NZ)

(\*\*) Term: **14 Years**

(21) Appl. No.: **29/361,617**

(22) Filed: **May 13, 2010**

(30) **Foreign Application Priority Data**

Nov. 13, 2009 (NZ) ..... 412954

(51) **LOC (9) Cl.** ..... **09-03**

(52) **U.S. Cl.** ..... **D9/433**

(58) **Field of Classification Search** ..... D9/273,  
D9/302, 304, 305, 307, 309-312, 314, 317,  
D9/318, 901, 905; D3/272, 273, 302, 304,  
D3/305, 307, 309-312, 314, 317, 318, 901,  
D3/905; 206/421, 454, 457, 775-778, 784,  
206/822; 229/100, 103.3, 104-106, 108,  
229/108.1, 109, 110, 111, 112, 117.09, 117.12,  
229/117.15, 120, 125.015, 160.1, 162.1,  
229/182.1, 215, 247, 406, 407, 902, 920,  
229/922, 930, 942; D2/731, 748; D6/396,  
D6/407, 629, 633; 220/500, 523-529, 552,  
220/555

See application file for complete search history.

(56) **References Cited**

U.S. PATENT DOCUMENTS

3,670,949	A *	6/1972	Galanes	229/120
3,713,579	A *	1/1973	Chaffers	206/509
4,304,353	A *	12/1981	Stollberg	229/126
D307,109	S *	4/1990	Dasher et al.	D9/418
5,002,224	A *	3/1991	Muise	229/169
D348,607	S *	7/1994	Young	D9/423
5,535,941	A *	7/1996	Garza	229/191
5,673,848	A *	10/1997	Garza	229/191
6,098,873	A *	8/2000	Sheffer	229/178
D578,883	S *	10/2008	Kisch	D9/432
2002/0011513	A1 *	1/2002	Dowd	229/117.16

\* cited by examiner

*Primary Examiner* — Thomas Johannes

(74) *Attorney, Agent, or Firm* — Greer, Burns & Crain, Ltd.

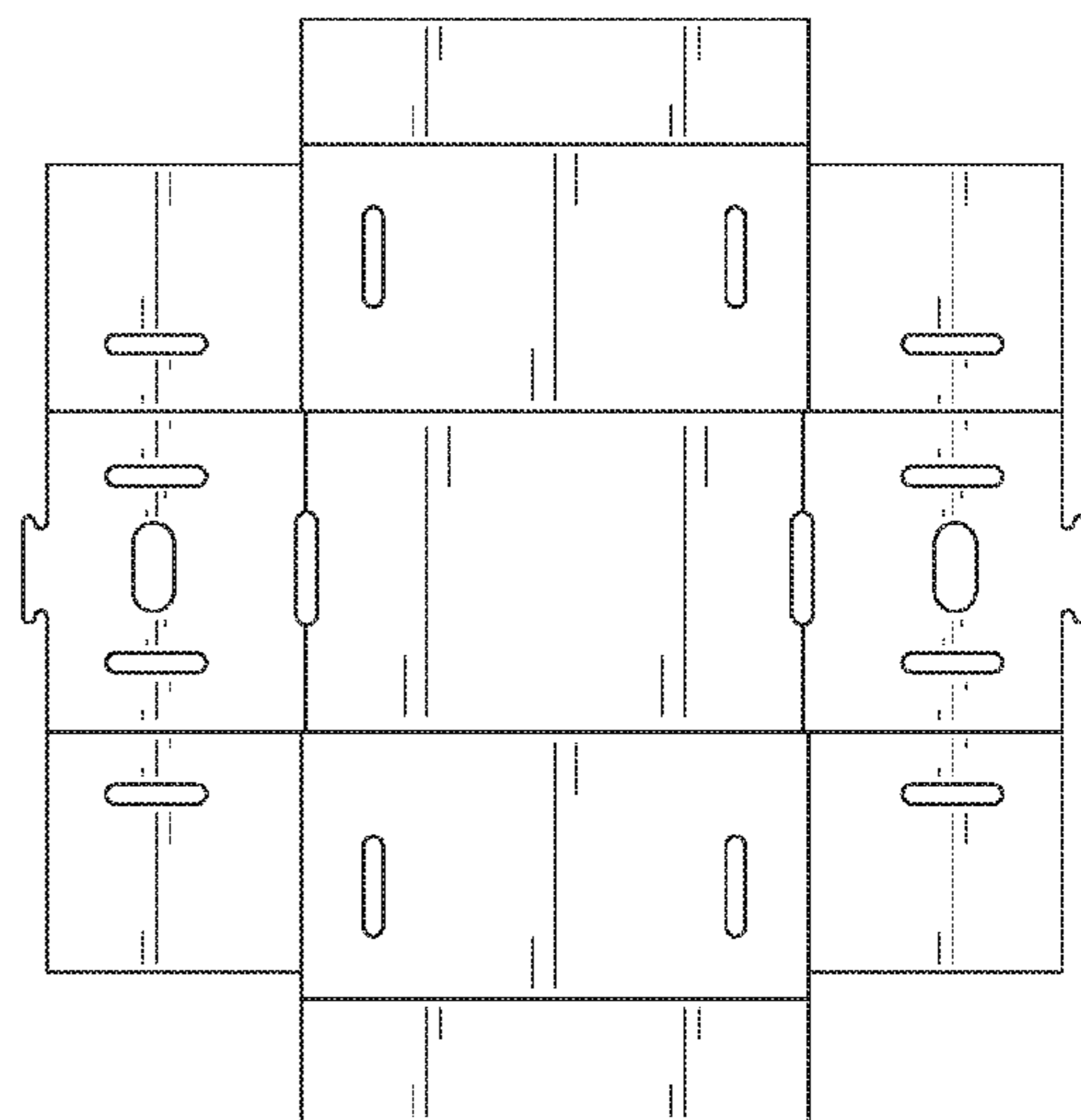
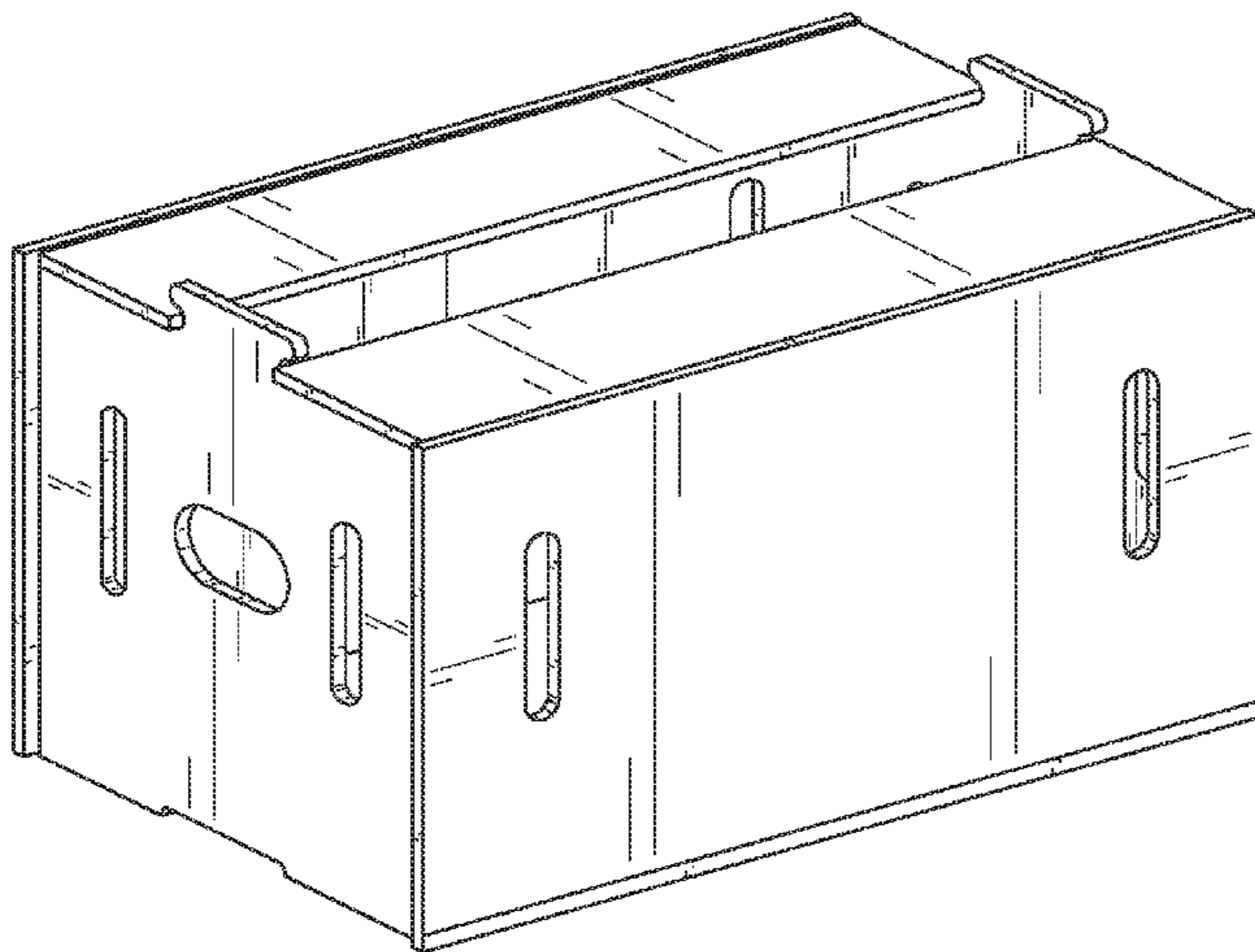
(57) **CLAIM**

The ornamental design for a box, as shown and described.

**DESCRIPTION**

FIG. 1 is a top perspective view of the present box, showing my new design;  
FIG. 2 is a top perspective view thereof when flattened;  
FIG. 3 is a top plan view thereof;  
FIG. 4 is a bottom plan view thereof;  
FIG. 5 is a front side elevation view thereof;  
FIG. 6 is a back side elevation view thereof;  
FIG. 7 is a left side elevation view thereof; and,  
FIG. 8 is a right side elevation view thereof.

**1 Claim, 6 Drawing Sheets**



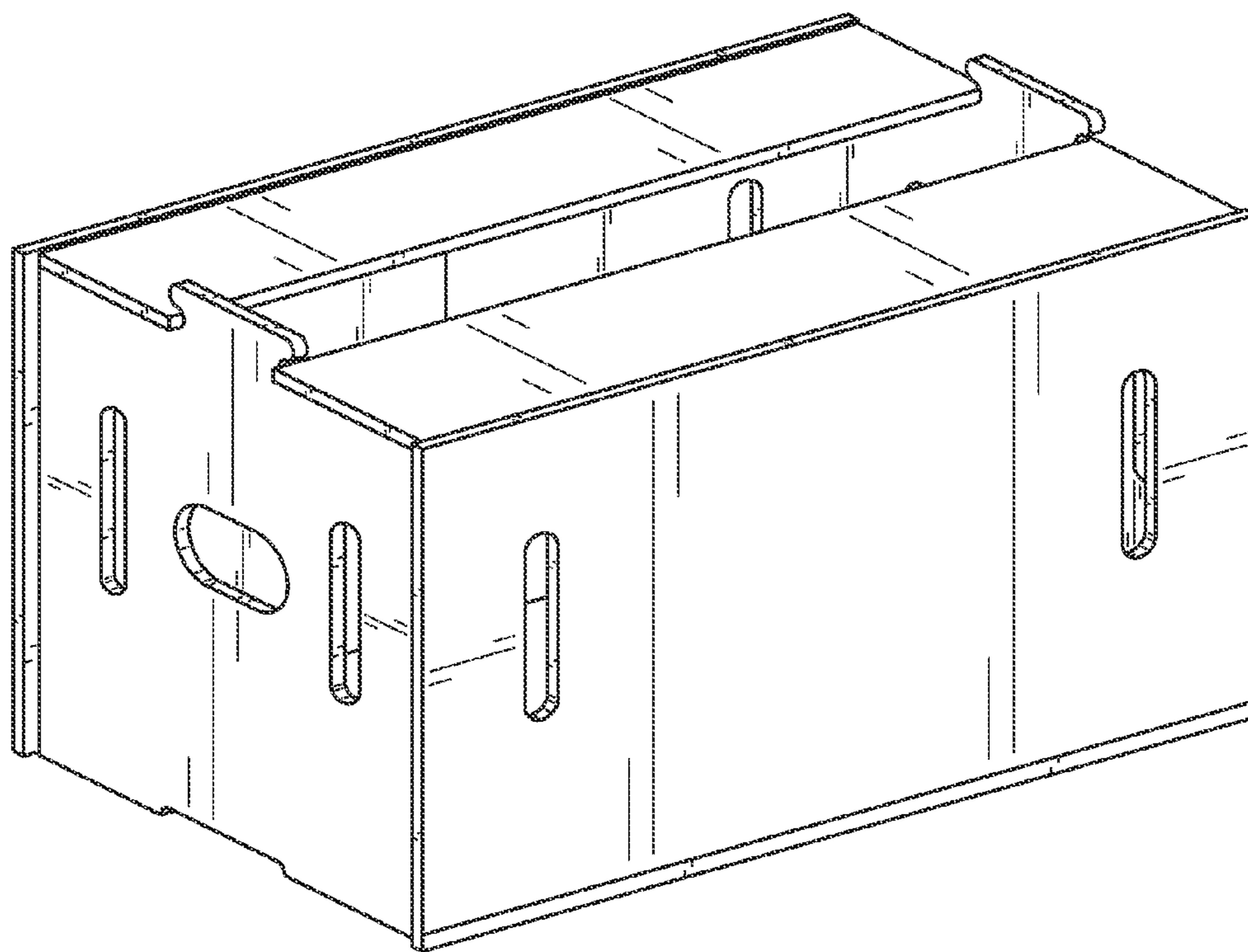


FIG. 1

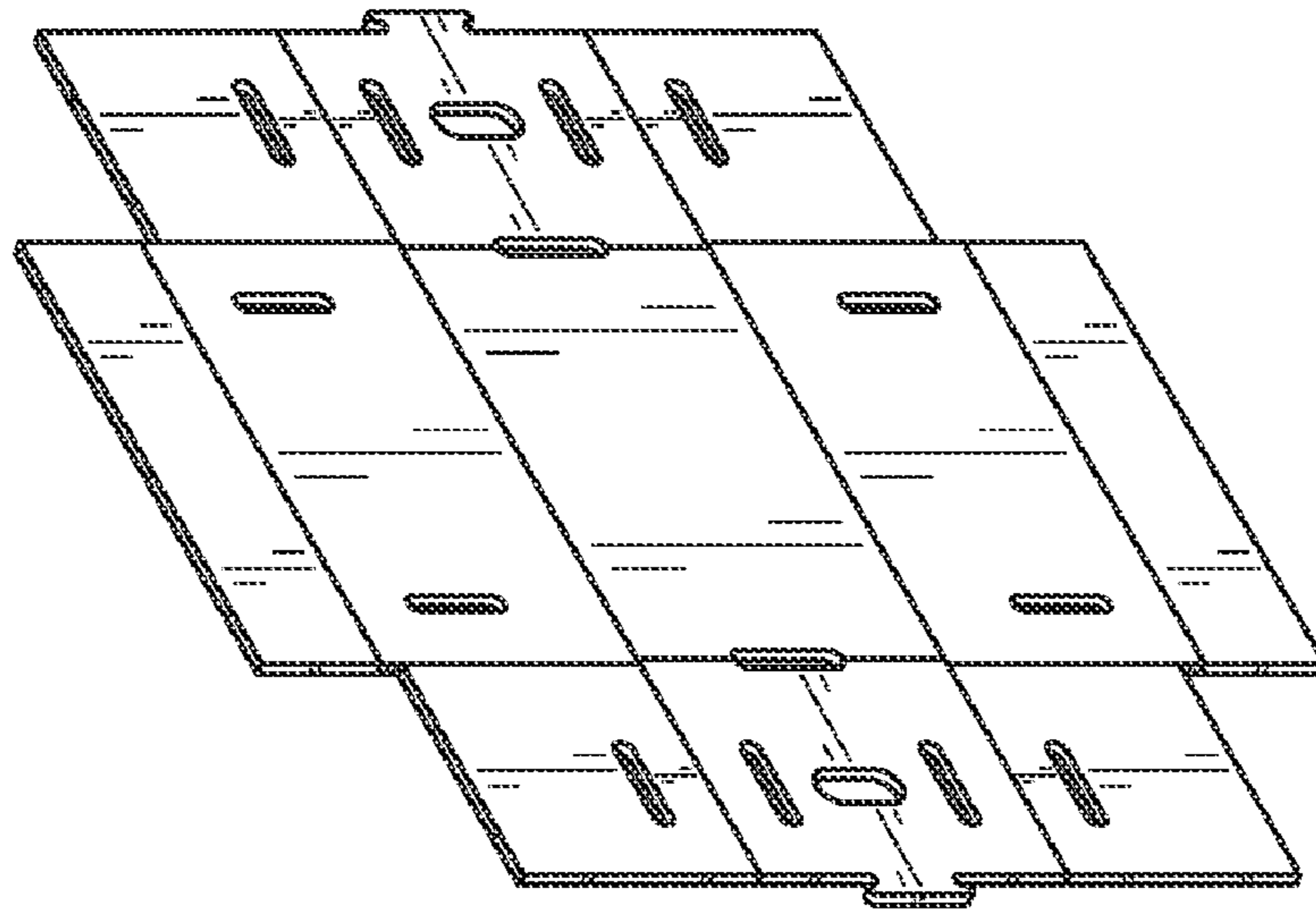


FIG. 2

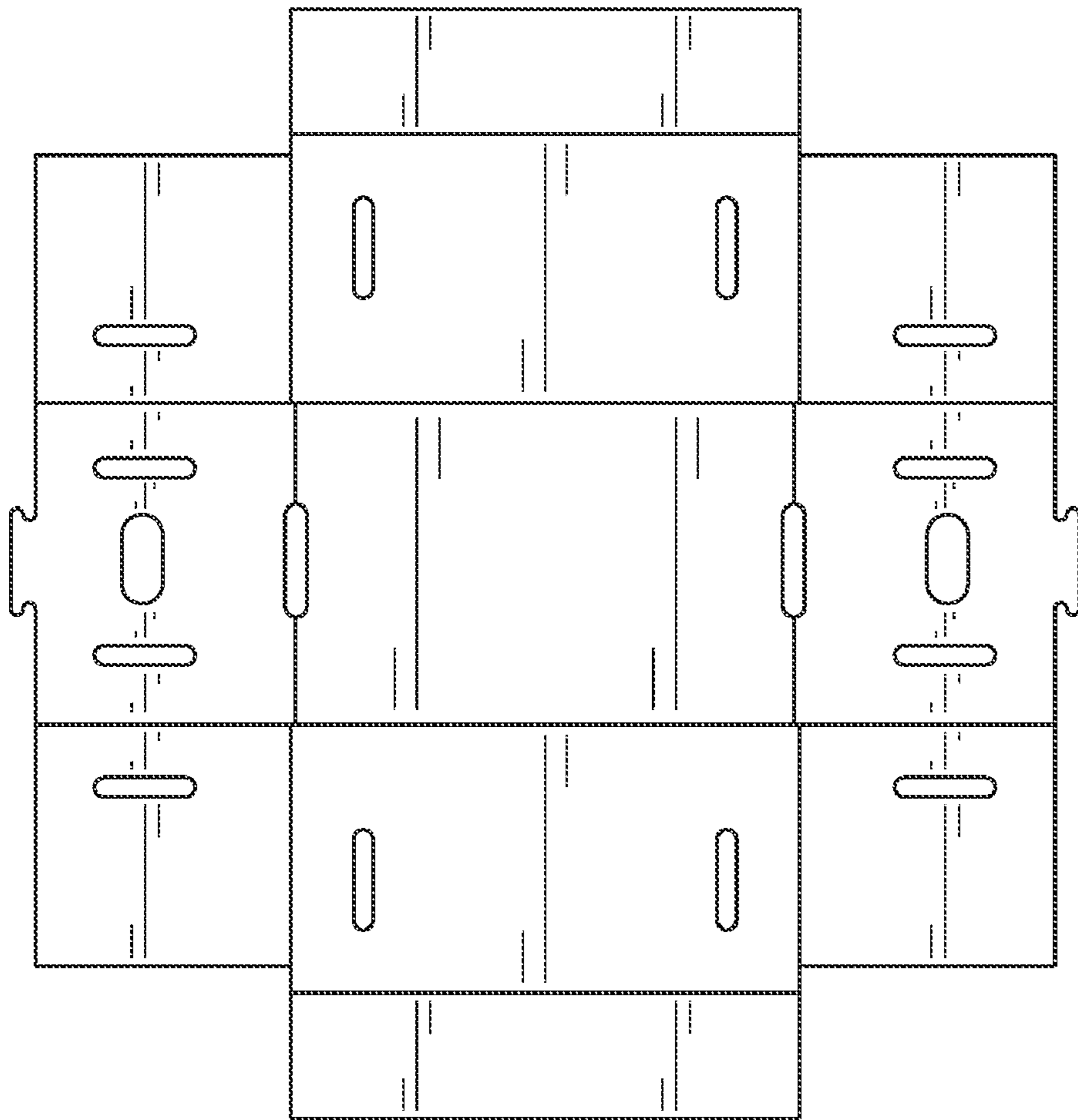


FIG. 3

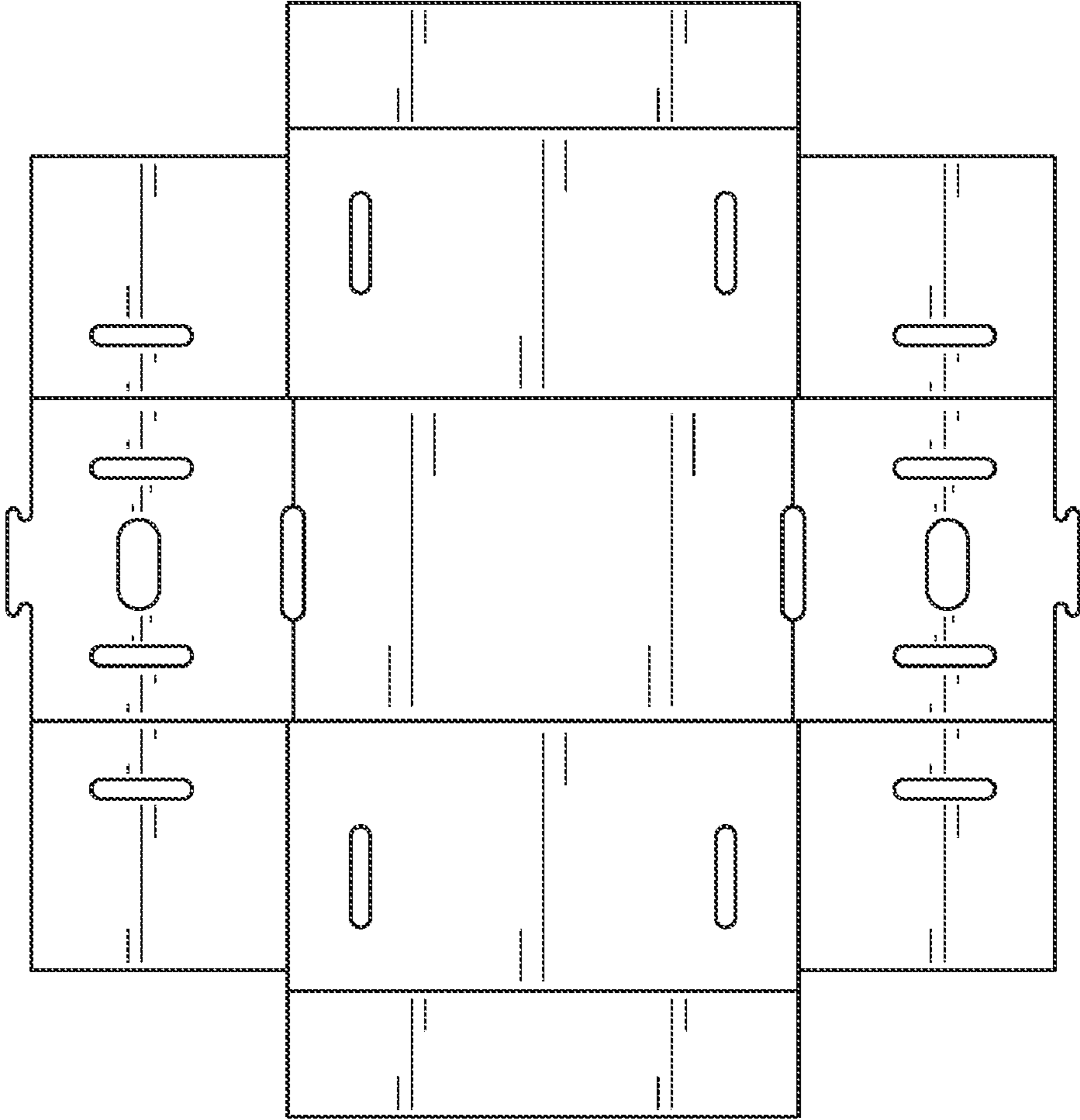


FIG. 4



FIG. 5

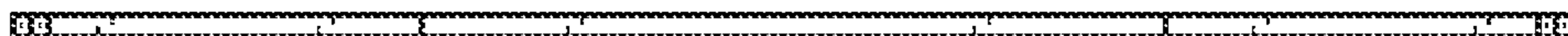


FIG. 6





FIG. 7

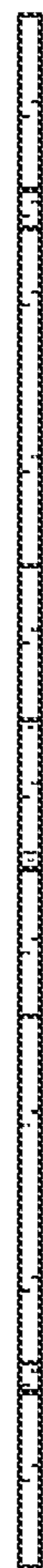


FIG. 8