



US00D651073S

(12) **United States Design Patent**
Cadieux, Jr. et al.

(10) **Patent No.:** **US D651,073 S**

(45) **Date of Patent:** **** Dec. 27, 2011**

(54) **CIGARETTE PACK WITH SACHET ATTACHED ON THE REAR WALL OF THE PACK**

(75) Inventors: **Edmond J. Cadieux, Jr.**, Midlothian, VA (US); **Barry S. Smith**, Hopewell, VA (US); **Marc D. Belcastro**, Glen Allen, VA (US); **Steven R. Rinehart**, Chesterfield, VA (US)

(73) Assignee: **Phillip Morris USA Inc.**, Richmond, VA (US)

(**) Term: **14 Years**

(21) Appl. No.: **29/352,891**

(22) Filed: **Dec. 29, 2009**

(51) **LOC (9) Cl.** **09-03**

(52) **U.S. Cl.** **D9/423; D9/721**

(58) **Field of Classification Search** D9/420, D9/423, 425, 430, 432; 206/236-242, 245, 206/249-251, 254-259, 261-275; 229/101, 229/125.21, 125.37, 145, 212, 225, 160.1; D27/172-176, 185-192

See application file for complete search history.

(56) **References Cited**

U.S. PATENT DOCUMENTS

D243,350	S *	2/1977	Shibata	D27/175
4,046,252	A *	9/1977	Korby et al.	206/95
4,961,496	A *	10/1990	Focke et al.	206/246
5,035,935	A *	7/1991	Thomas et al.	428/43
5,464,093	A *	11/1995	Hogan	206/265
5,630,503	A *	5/1997	Rhodes et al.	206/85
7,331,451	B2 *	2/2008	Focke et al.	206/264
7,600,668	B2 *	10/2009	Pham	229/87.05
D635,714	S *	4/2011	Rojas	D27/175
2007/0023301	A1 *	2/2007	Pham	206/264

2007/0193892	A1 *	8/2007	Tanbo et al.	206/205
2008/0035500	A1 *	2/2008	Haddad	206/265
2009/0188817	A1 *	7/2009	Margolis	206/237
2011/0155594	A1 *	6/2011	Cadieux et al.	206/236

* cited by examiner

Primary Examiner — Thomas Johannes

(74) *Attorney, Agent, or Firm* — Connolly Bove Lodge & Hutz LLP

(57) **CLAIM**

An ornamental design for a cigarette pack with sachet attached on the rear wall of the pack, as shown and described.

DESCRIPTION

FIG. 1 is a rear perspective view of a first embodiment of a cigarette pack with sachet attached on the rear wall of the pack, showing our new design;

FIG. 2 is a front elevation view thereof;

FIG. 3 is a right side elevation view thereof, the left side elevation view being a mirror image duplicate;

FIG. 4 is a top plan view thereof, the bottom plan view being identical;

FIG. 5 is a rear elevation view thereof;

FIG. 6 is a rear perspective view of a second embodiment of a cigarette pack with sachet attached on the rear wall of the pack, showing our new design;

FIG. 7 is a front elevation view thereof;

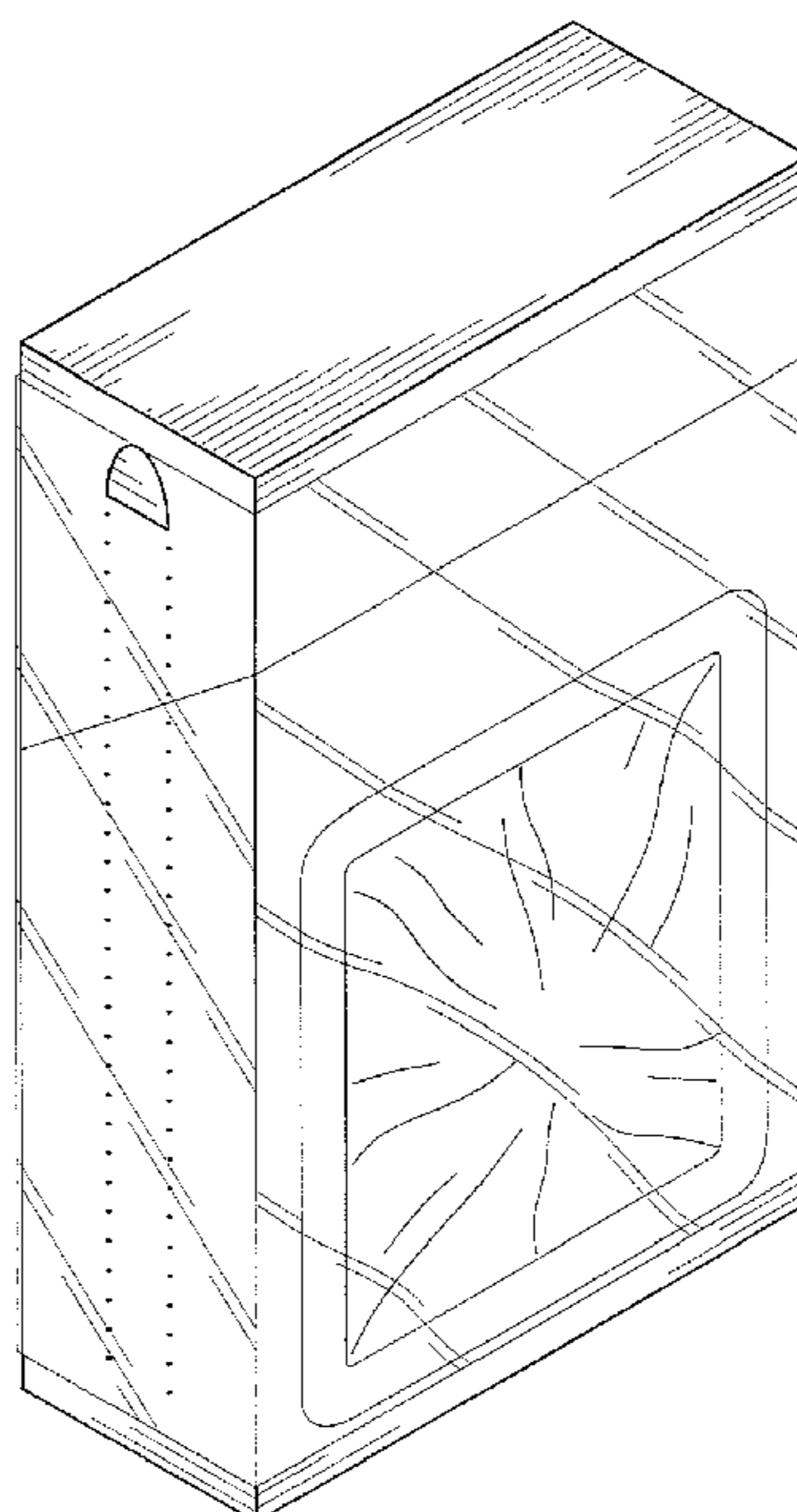
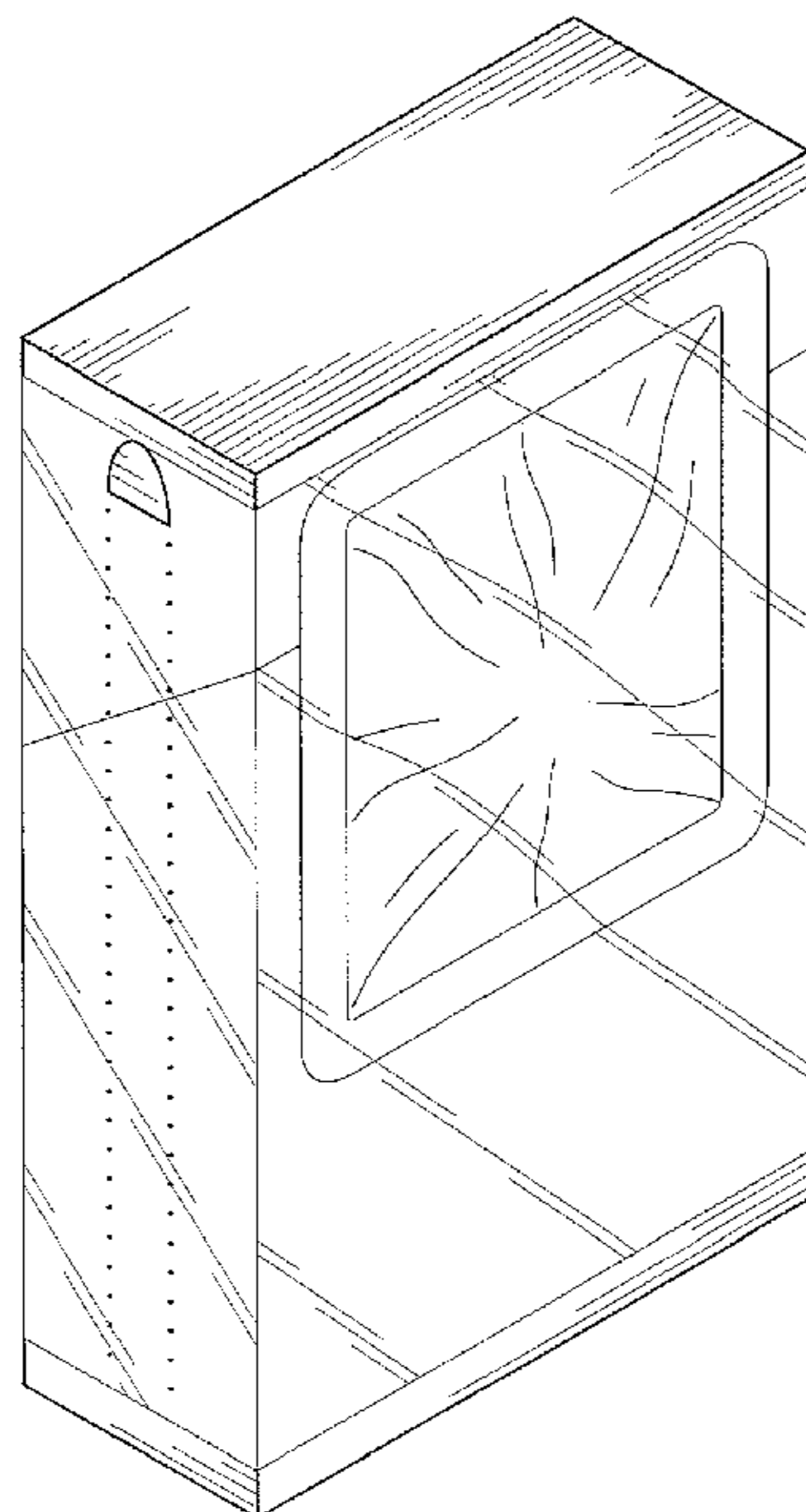
FIG. 8 is a right side elevation view thereof, the left side elevation view being a mirror image duplicate;

FIG. 9 is a top plan view thereof, the bottom plan view being identical; and,

FIG. 10 is a rear elevation view thereof.

The dotted-lines in the drawings define claimed perforations in the side overwrap material.

1 Claim, 4 Drawing Sheets



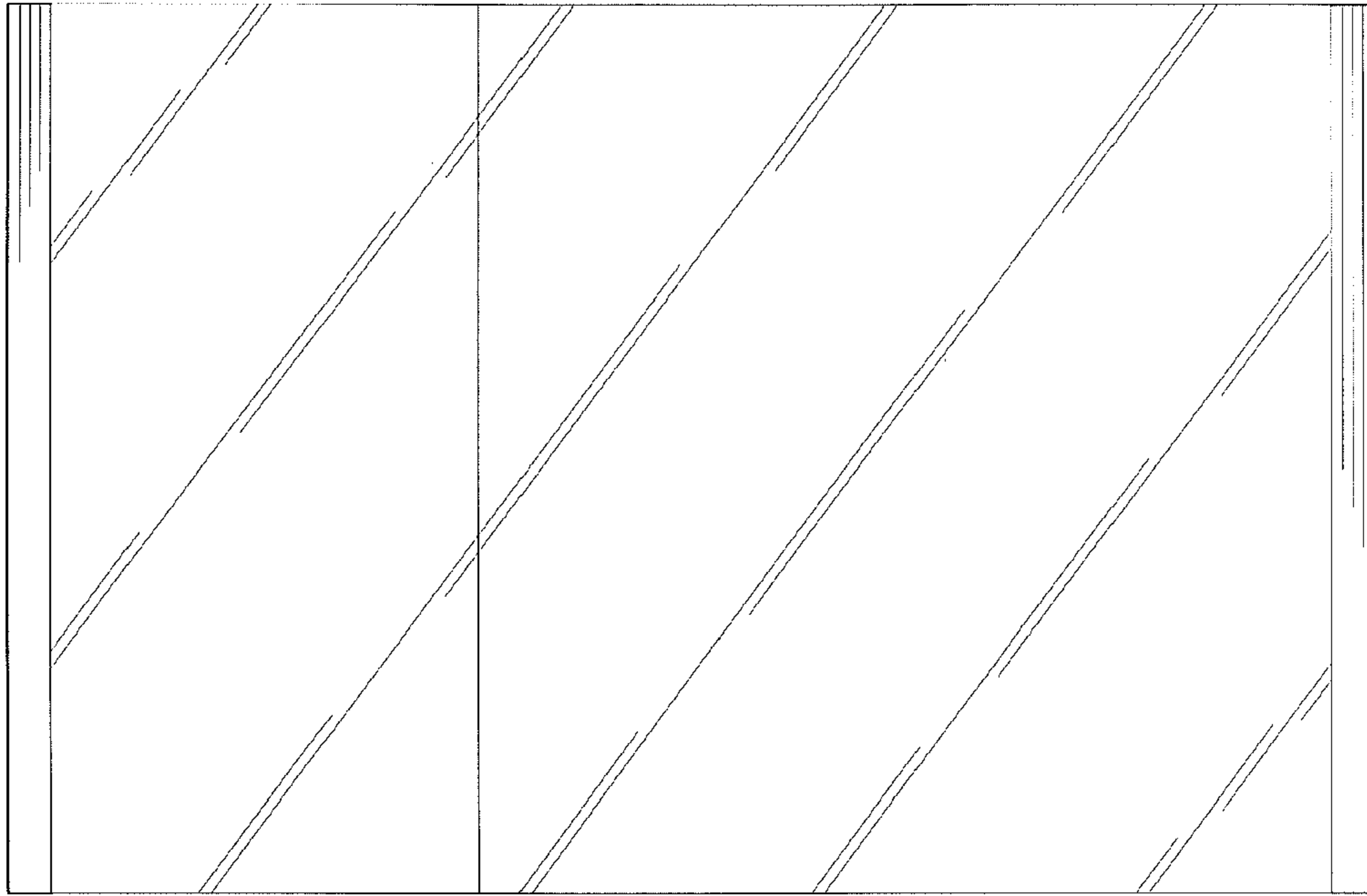


FIG. 2

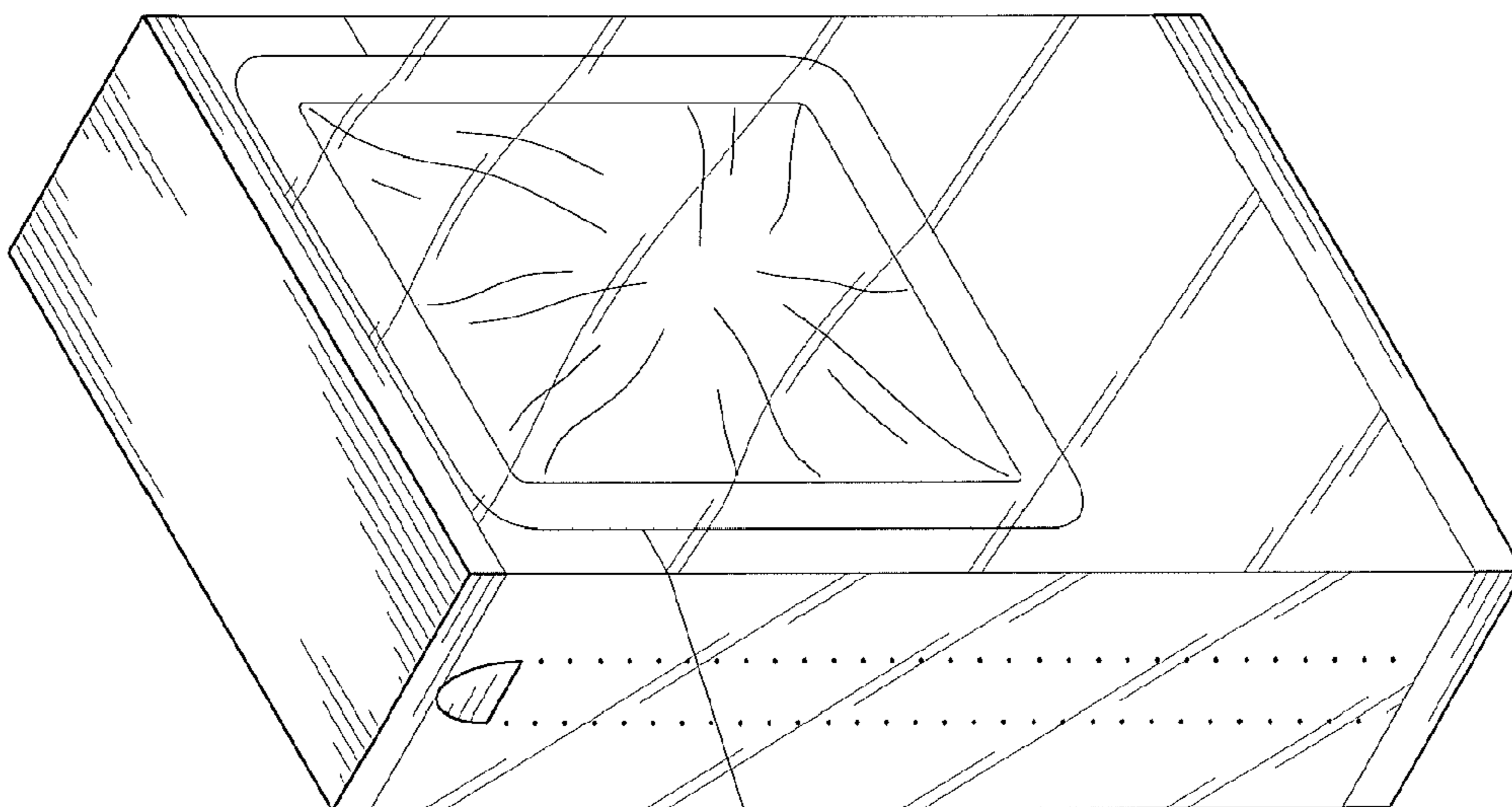


FIG. 1

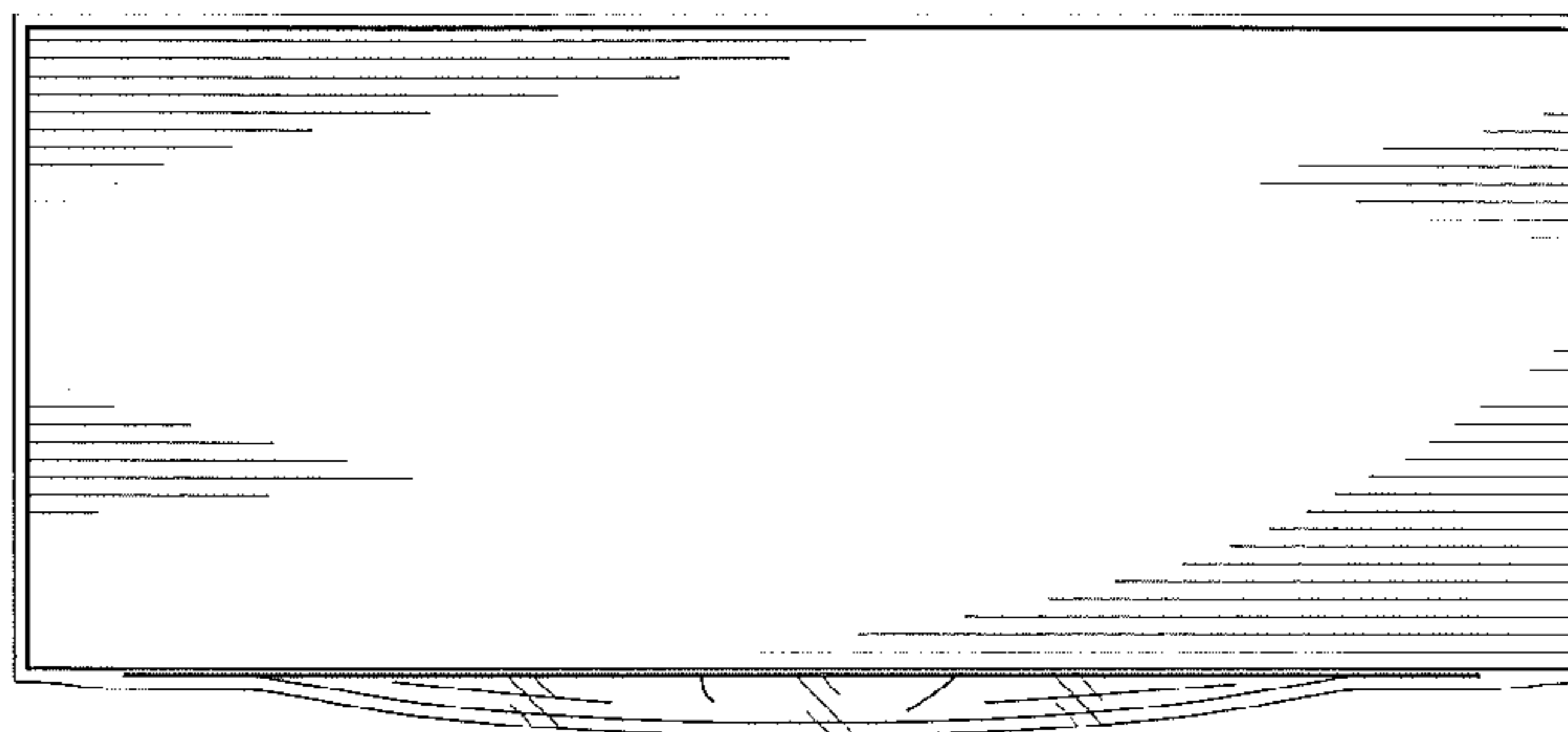


FIG. 4

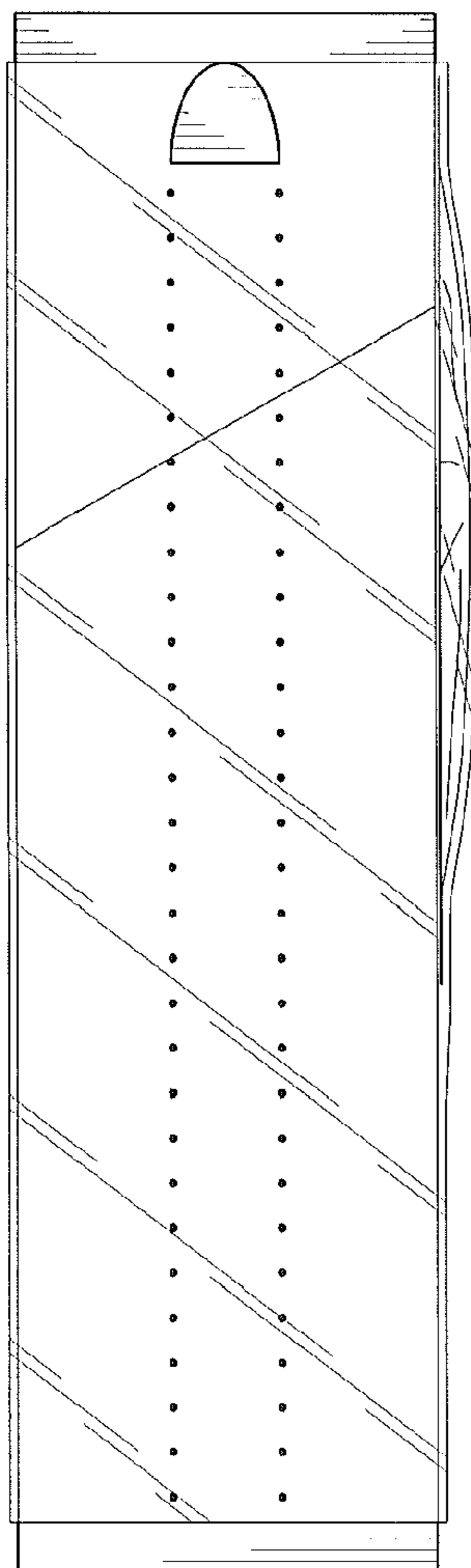


FIG. 3

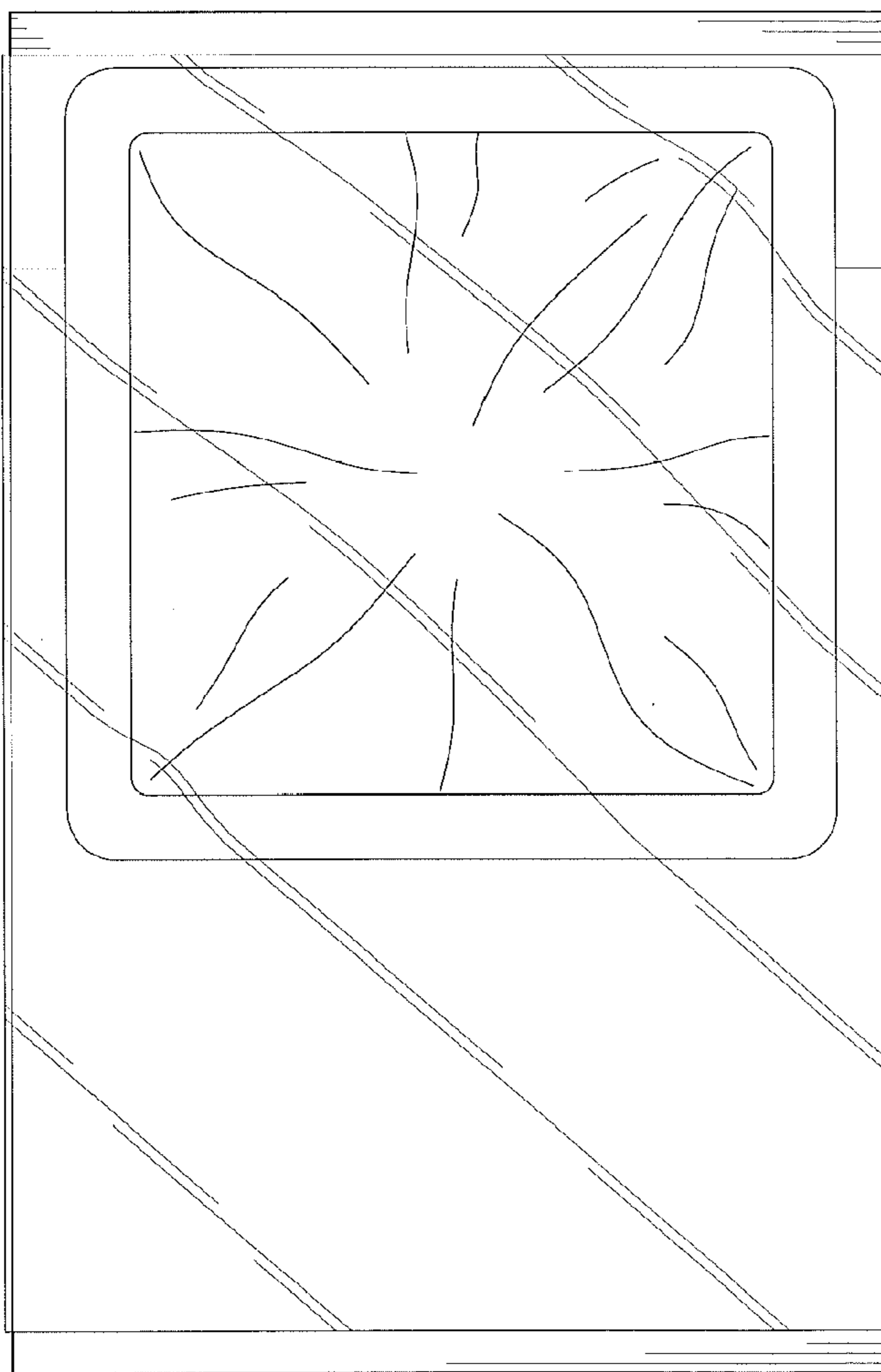


FIG. 5

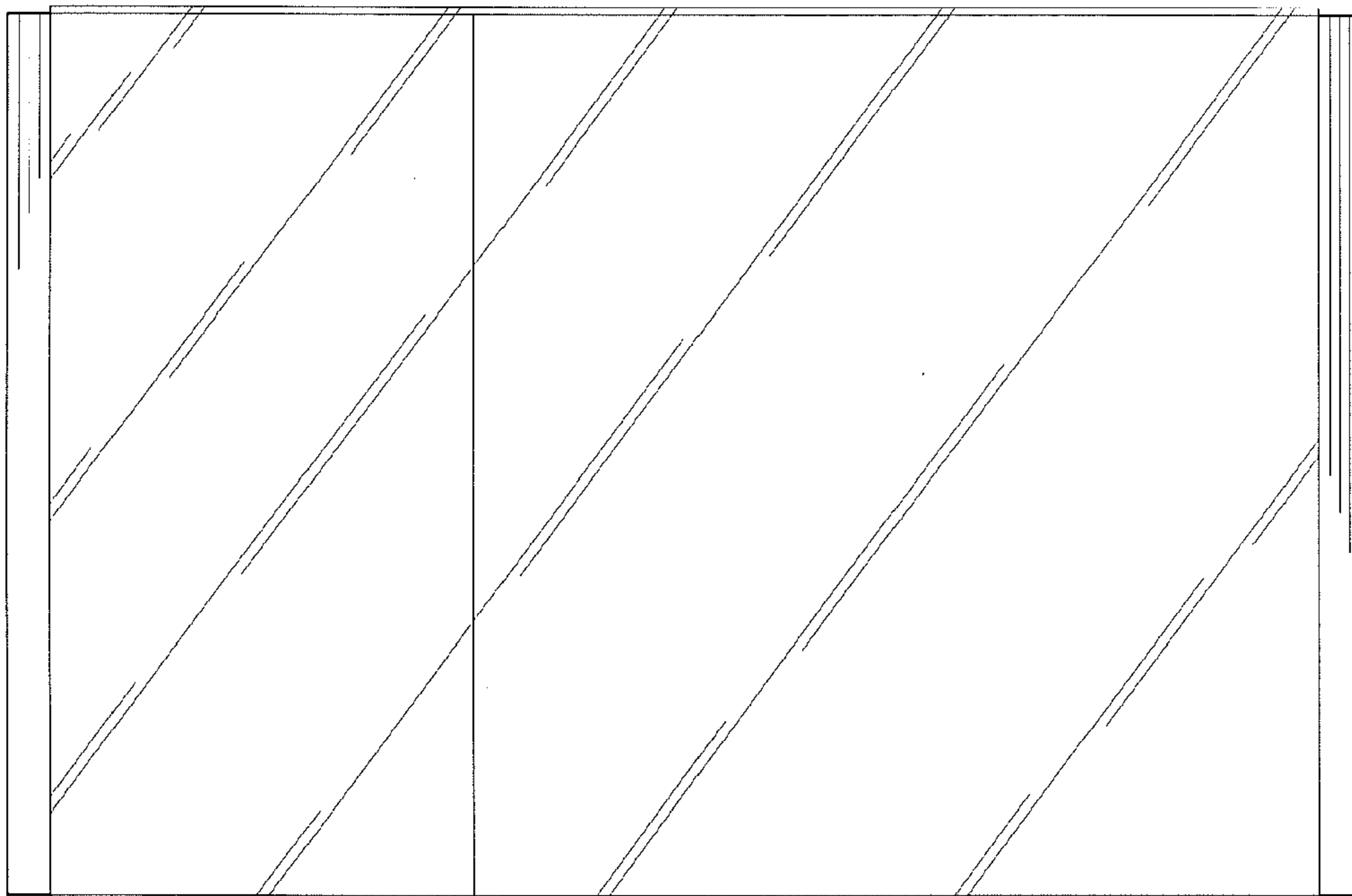


FIG. 7

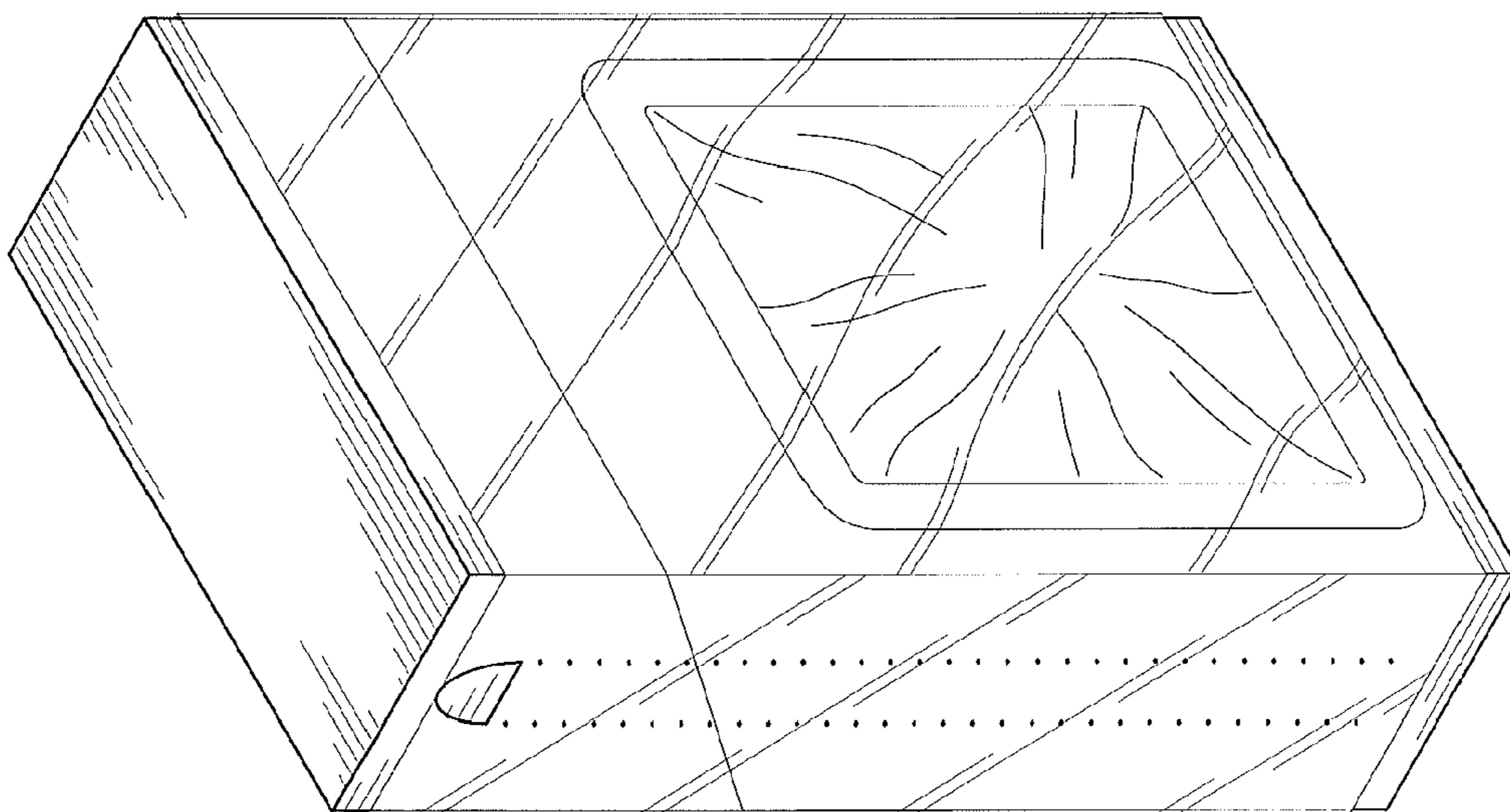


FIG. 6

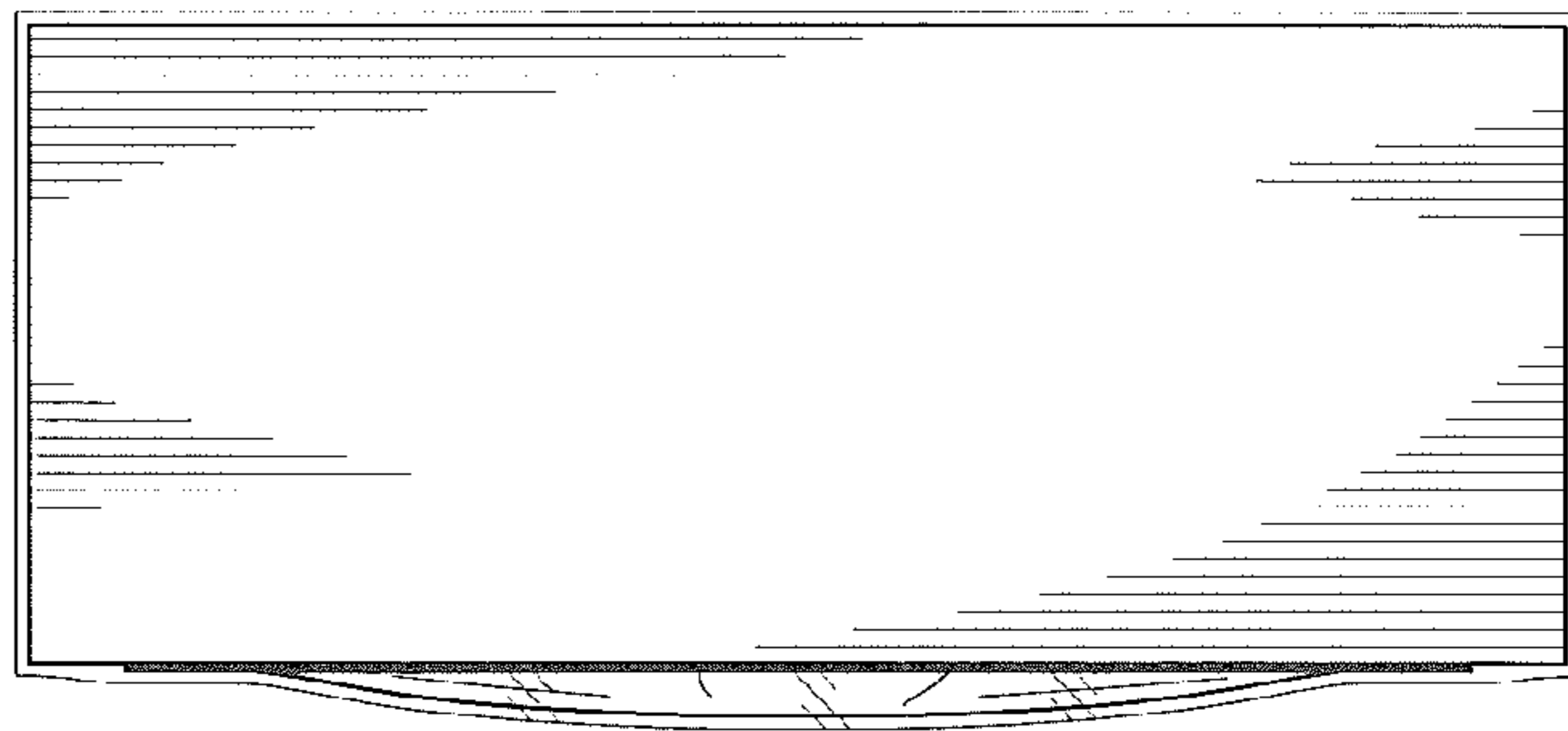


FIG. 9

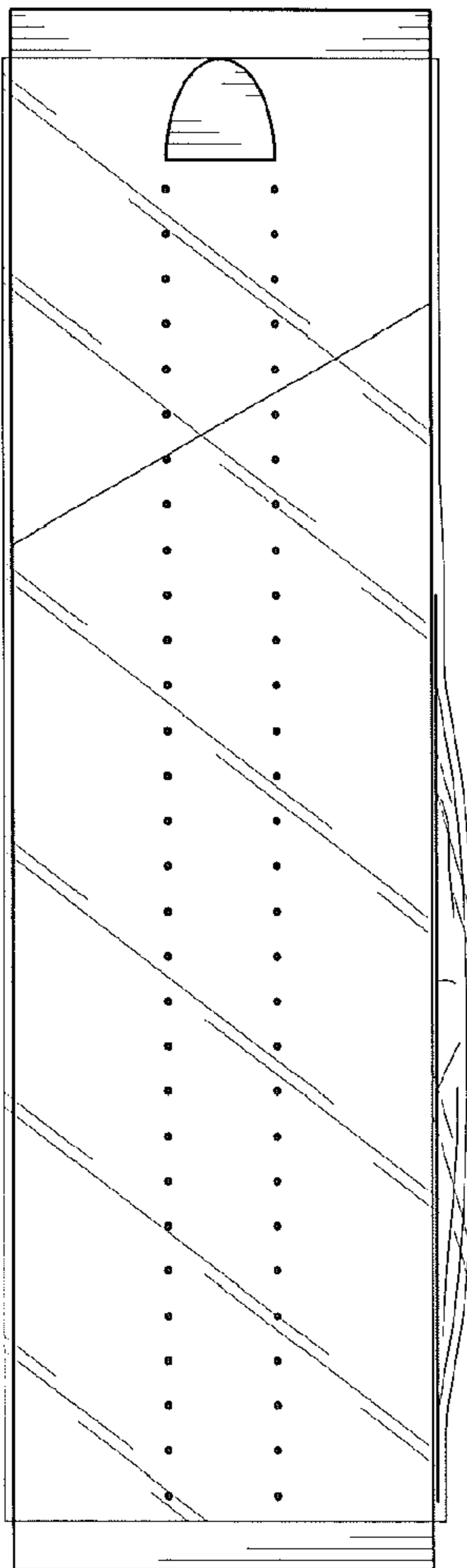


FIG. 8

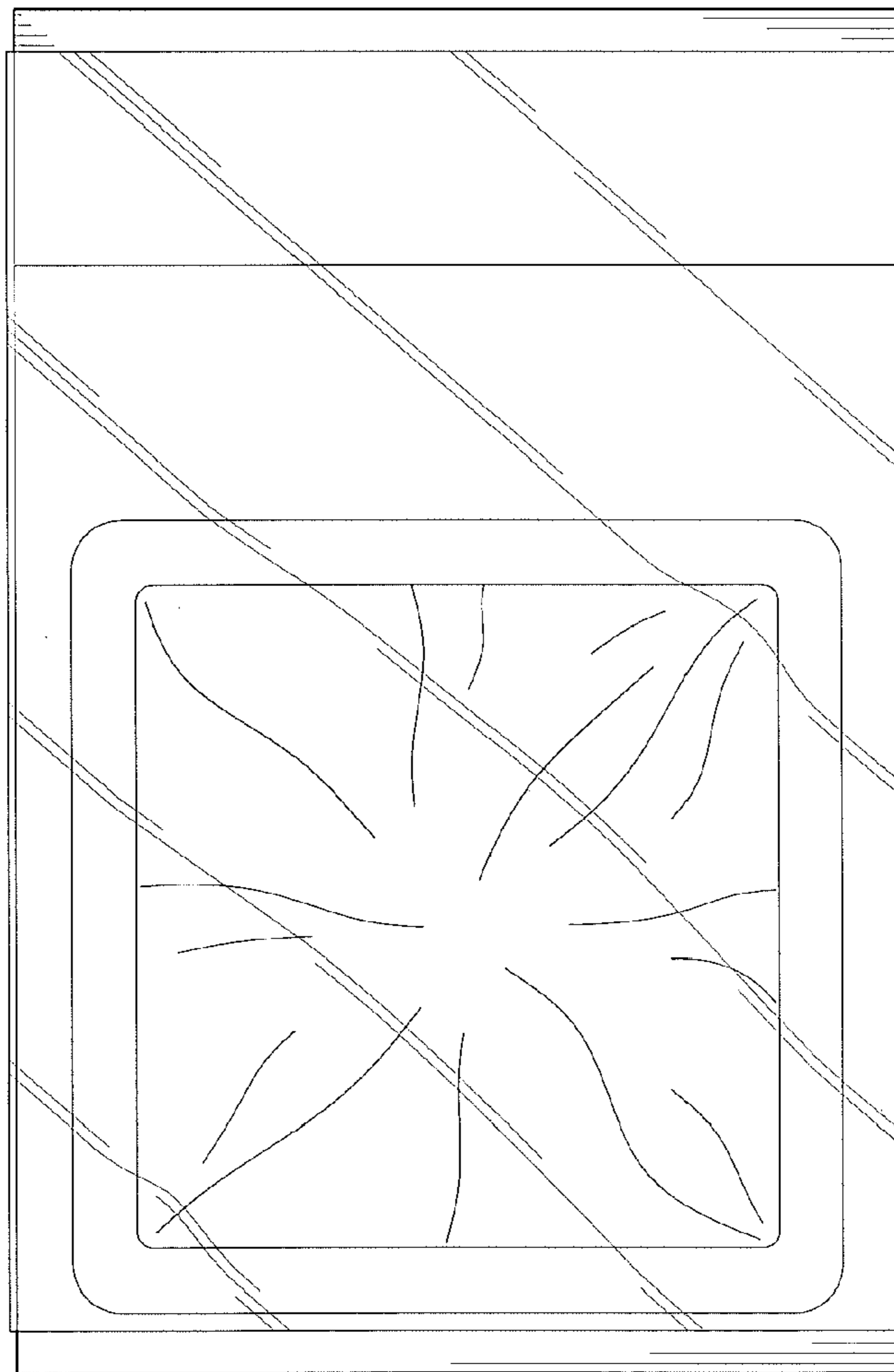


FIG. 10

UNITED STATES PATENT AND TRADEMARK OFFICE
CERTIFICATE OF CORRECTION

PATENT NO. : D651,073 S
APPLICATION NO. : 29/352891
DATED : December 27, 2011
INVENTOR(S) : Edmond J. Cadieux, Jr. et al.

Page 1 of 1

It is certified that error appears in the above-identified patent and that said Letters Patent is hereby corrected as shown below:

On the Title Page:

Item (73): Assignee: "Phillip Morris USA Inc." should read -- Philip Morris USA Inc. --

Signed and Sealed this
Sixth Day of March, 2012

A handwritten signature in black ink that reads "David J. Kappos". The signature is written in a cursive style with a large initial 'D' and 'K'.

David J. Kappos
Director of the United States Patent and Trademark Office