



US00D651070S

(12) **United States Design Patent**  
**Jorgensen**

(10) **Patent No.:** **US D651,070 S**

(45) **Date of Patent:** **\*\* Dec. 27, 2011**

(54) **CASTER ASSEMBLY**

*Primary Examiner* — Susan Bennett Hattan

(75) Inventor: **Ryan Jorgensen**, Blue Springs, MO  
(US)

(74) *Attorney, Agent, or Firm* — Lathrop & Gage LLP

(73) Assignee: **Shinn Fu Company of America, Inc.**,  
Kansas City, MO (US)

(57) **CLAIM**

The ornamental design for a caster assembly, as shown and described.

(\*\*) Term: **14 Years**

**DESCRIPTION**

(21) Appl. No.: **29/391,772**

(22) Filed: **May 12, 2011**

**Related U.S. Application Data**

(63) Continuation of application No. 29/357,731, filed on  
Mar. 16, 2010, now Pat. No. Des. 639,638.

(51) **LOC (9) Cl.** ..... **08-09**

(52) **U.S. Cl.** ..... **D8/375**

(58) **Field of Classification Search** ..... D12/207,  
D12/208, 209, 501; D8/375; 16/18 CG,  
16/31 R, 22, 29, 18 R, 45, 46, 47; D3/318;  
D34/27

See application file for complete search history.

FIG. 1 is a perspective view of a caster assembly showing the new design, in exemplary use;  
FIG. 2 is a perspective view of the caster assembly of FIG. 1;  
FIG. 3 is another perspective view of the caster assembly of FIG. 1;  
FIG. 4 is a side view of the caster assembly of FIG. 1;  
FIG. 5 is an opposite side view of the caster assembly of FIG. 1;  
FIG. 6 is an end view of the caster assembly of FIG. 1;  
FIG. 7 is an opposite end view of the caster assembly of FIG. 1;  
FIG. 8 is a bottom view of the caster assembly of FIG. 1;  
FIG. 9 is a top view of the caster assembly of FIG. 1;  
FIG. 10 is a perspective view of the caster assembly of FIG. 1, showing the wheel rotated, in exemplary use.  
FIG. 11 is a perspective view of the caster assembly of FIG. 1, showing the wheel rotated as in FIG. 10;  
FIG. 12 is another perspective view of the caster assembly of FIG. 1, showing the wheel rotated as in FIG. 10;  
FIG. 13 is a side view of the caster assembly of FIG. 1, showing the wheel rotated as in FIG. 10;  
FIG. 14 is an opposite side view of the caster assembly of FIG. 1, showing the wheel rotated as in FIG. 10;  
FIG. 15 is an end view of the caster assembly of FIG. 1, showing the wheel rotated as in FIG. 10;  
FIG. 16 is an opposite end view of the caster assembly of FIG. 1, showing the wheel rotated as in FIG. 10;  
FIG. 17 is a bottom view of the caster assembly of FIG. 1, showing the wheel rotated as in FIG. 10; and,  
FIG. 18 is a top view of the caster assembly of FIG. 1, showing the wheel rotated as in FIG. 10.  
The broken lines in the drawings depict environmental subject matter only and form no part of the claimed design.

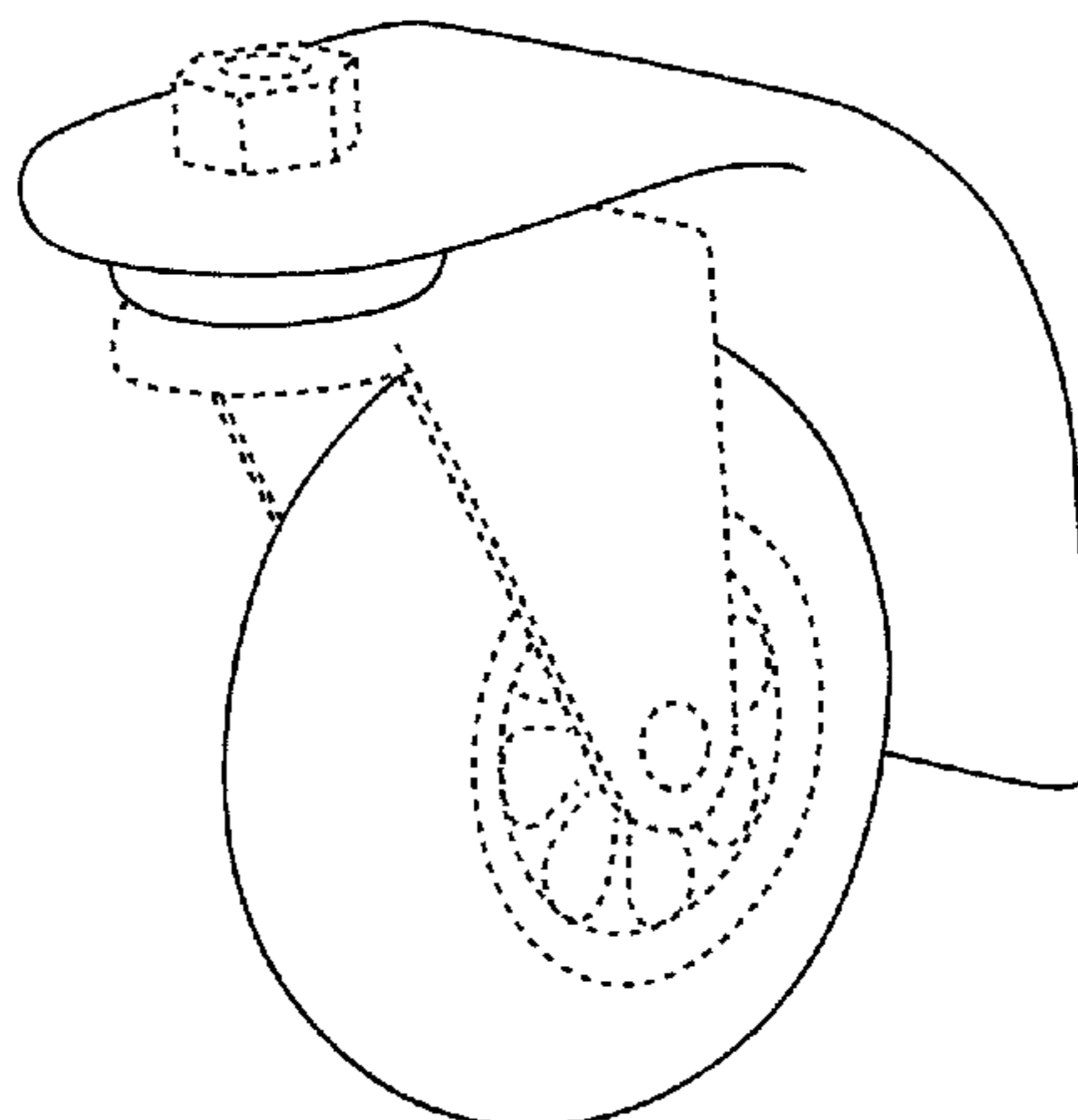
(56) **References Cited**

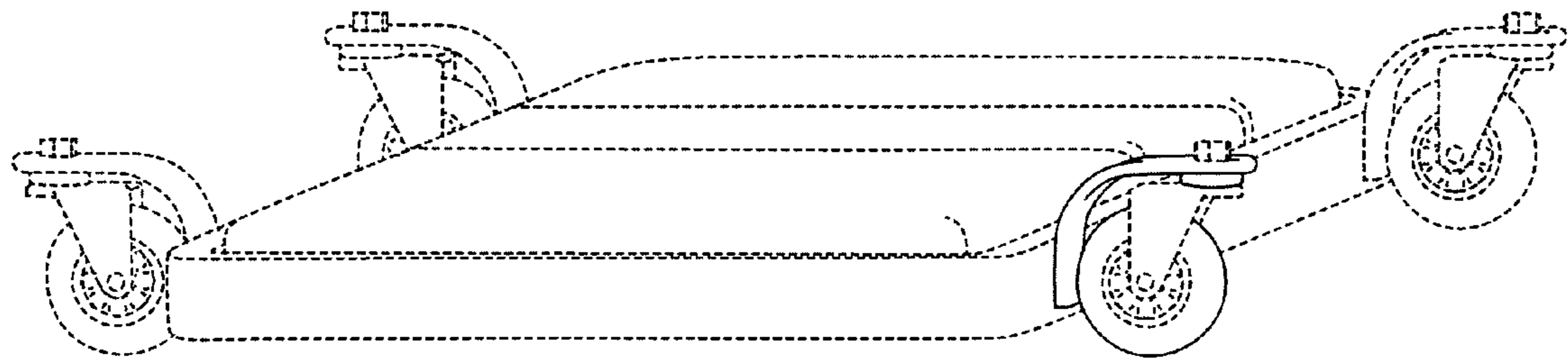
**U.S. PATENT DOCUMENTS**

175,853 A	8/1875	Codman	
D99,912 S	4/1936	Herold	
2,129,579 A	9/1938	Herold	
2,659,100 A	11/1953	Cramer	
D212,935 S	12/1968	Appel	
D239,433 S	4/1976	Sugasawara	
4,682,750 A	7/1987	Rudolph et al.	
5,174,592 A	12/1992	Pool	
5,261,725 A	11/1993	Rudolph	
5,330,209 A	7/1994	Pool	
D403,822 S	1/1999	Whiteside et al.	
5,947,489 A	9/1999	Tucker	
6,345,828 B1	2/2002	Pool et al.	
D490,760 S	6/2004	Sands	
D522,753 S	6/2006	Moon	
D556,972 S	12/2007	Whiteside et al.	
D634,502 S *	3/2011	Jorgensen	..... D34/23
2005/0161894 A1	7/2005	Lensing	

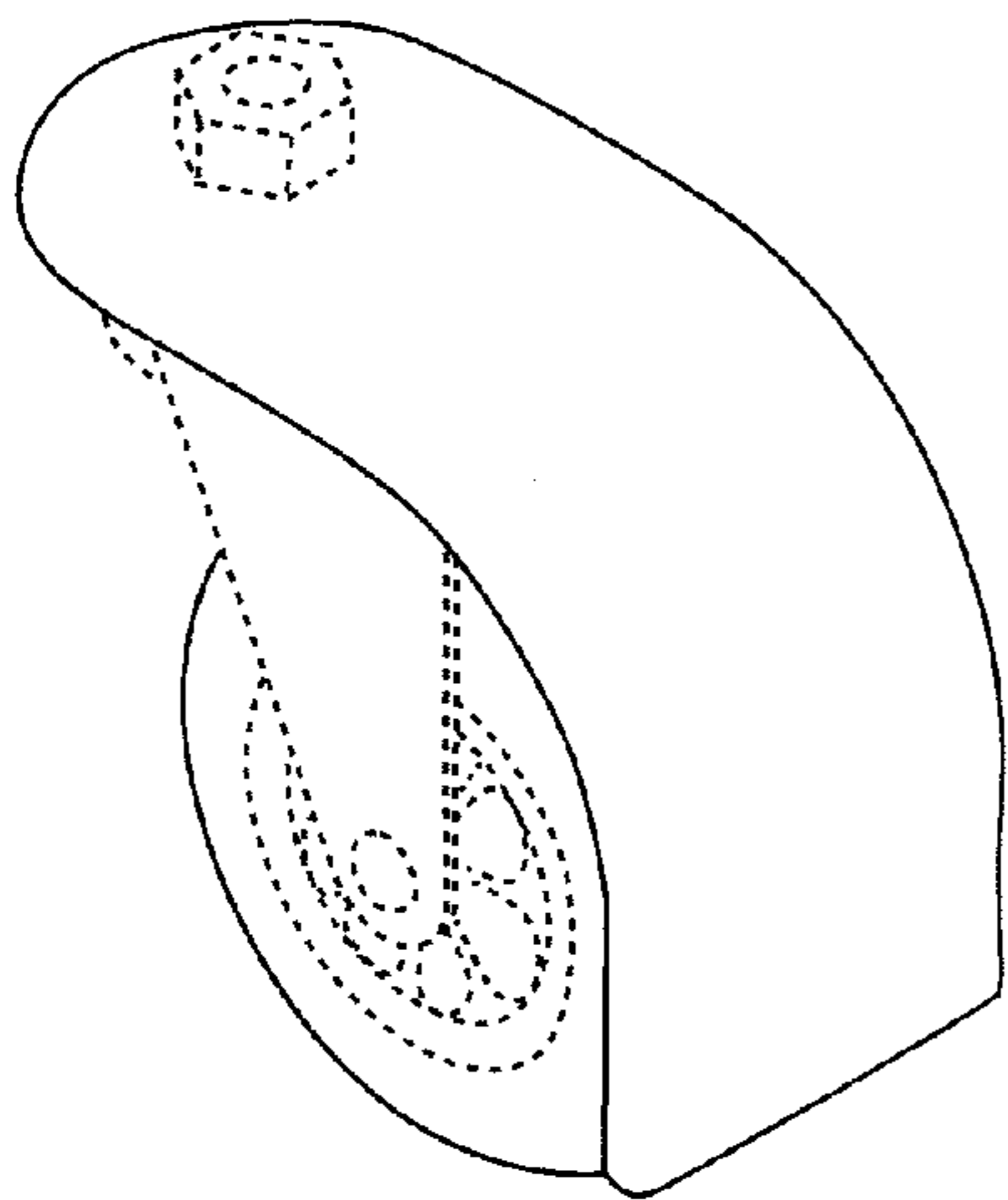
\* cited by examiner

**1 Claim, 4 Drawing Sheets**

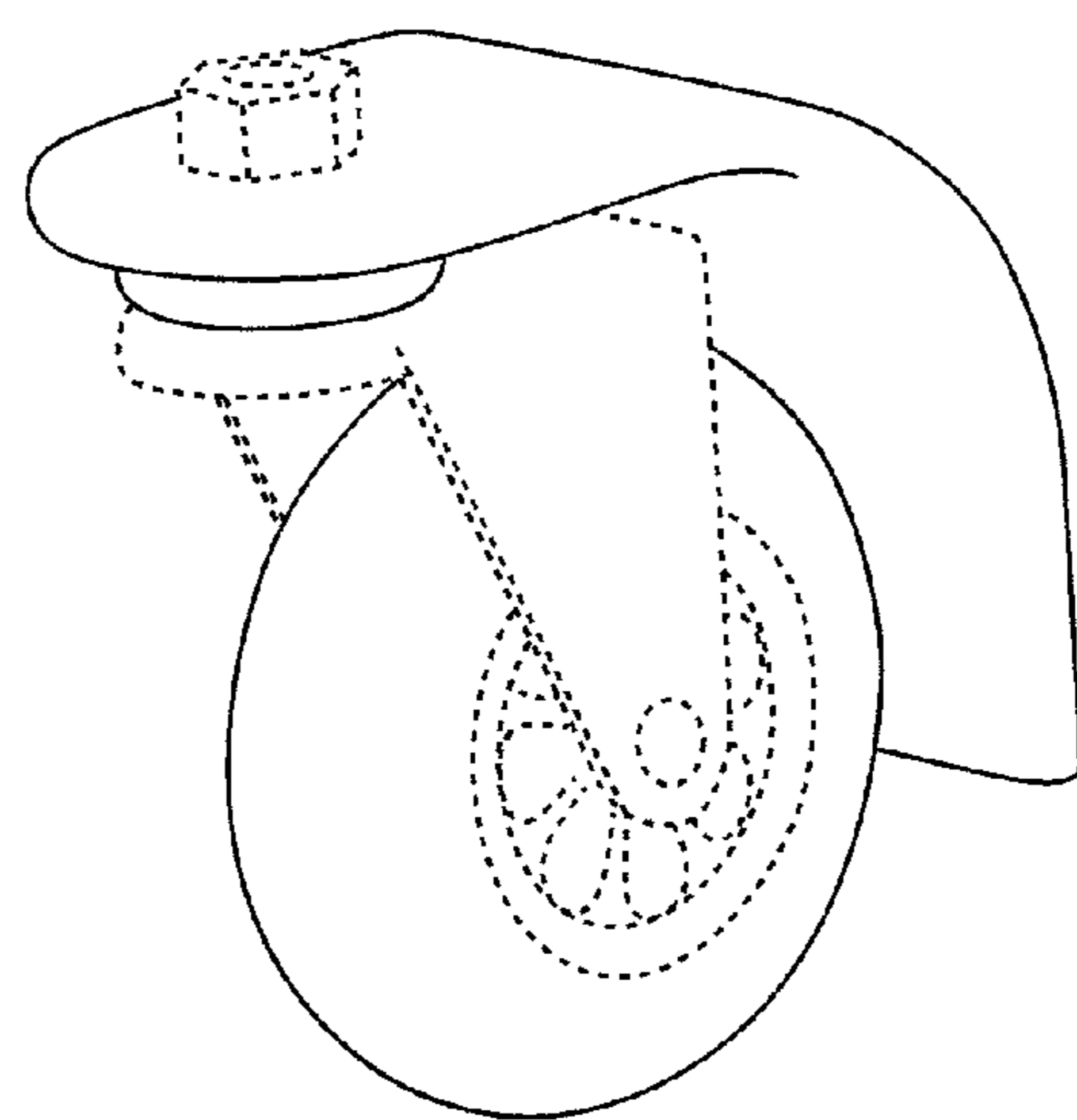




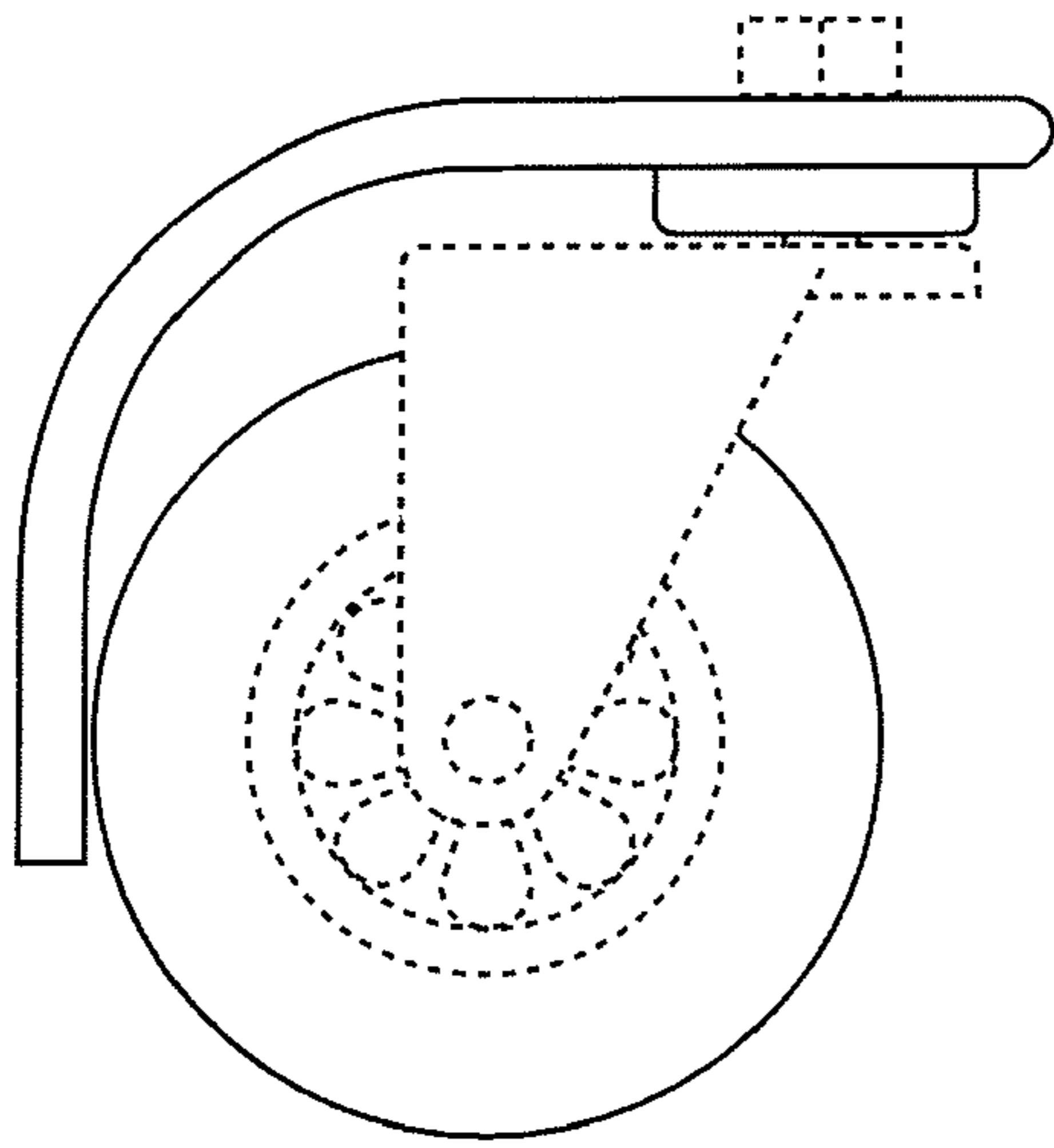
*FIG. 1*



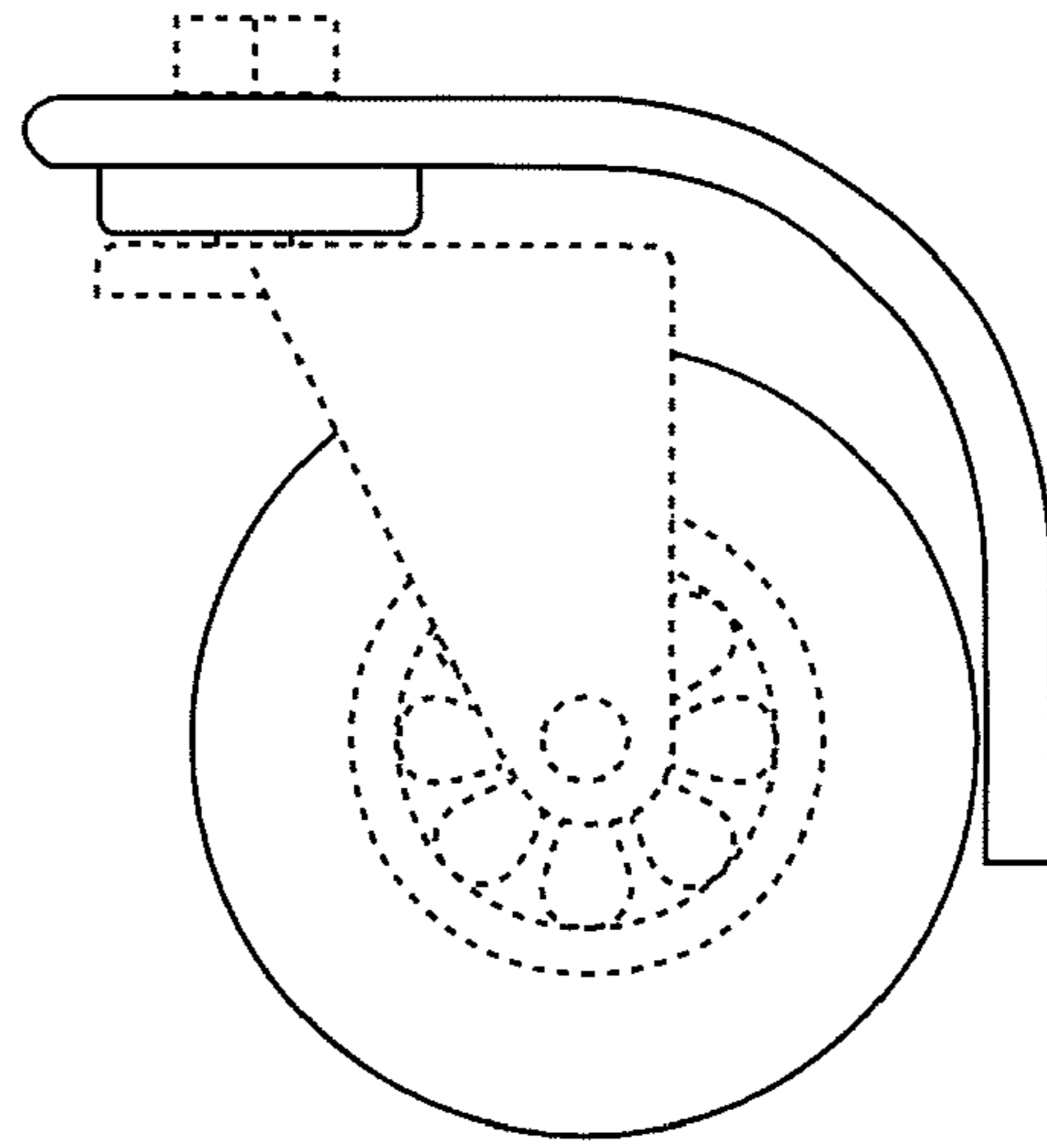
*FIG. 2*



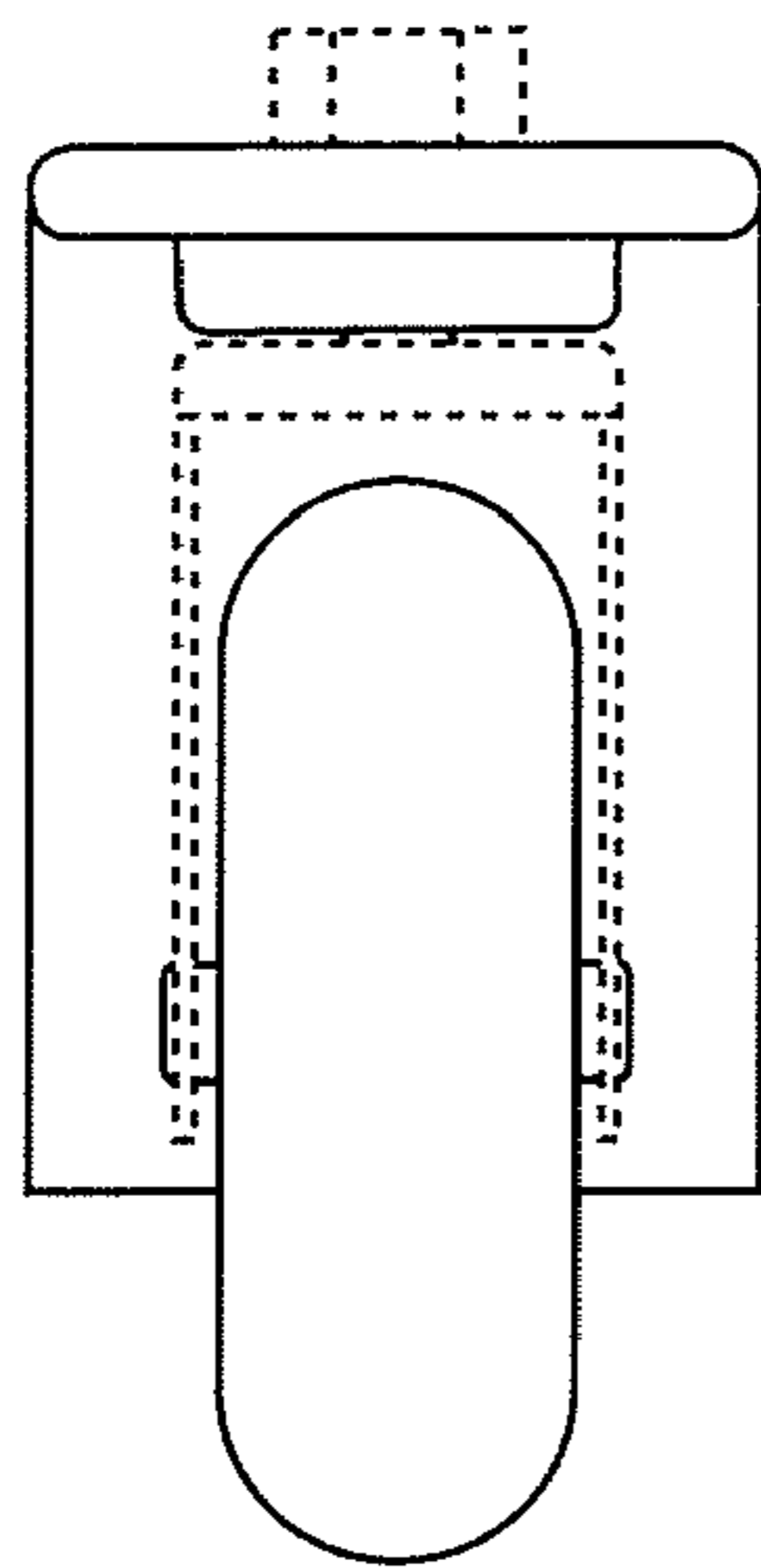
*FIG. 3*



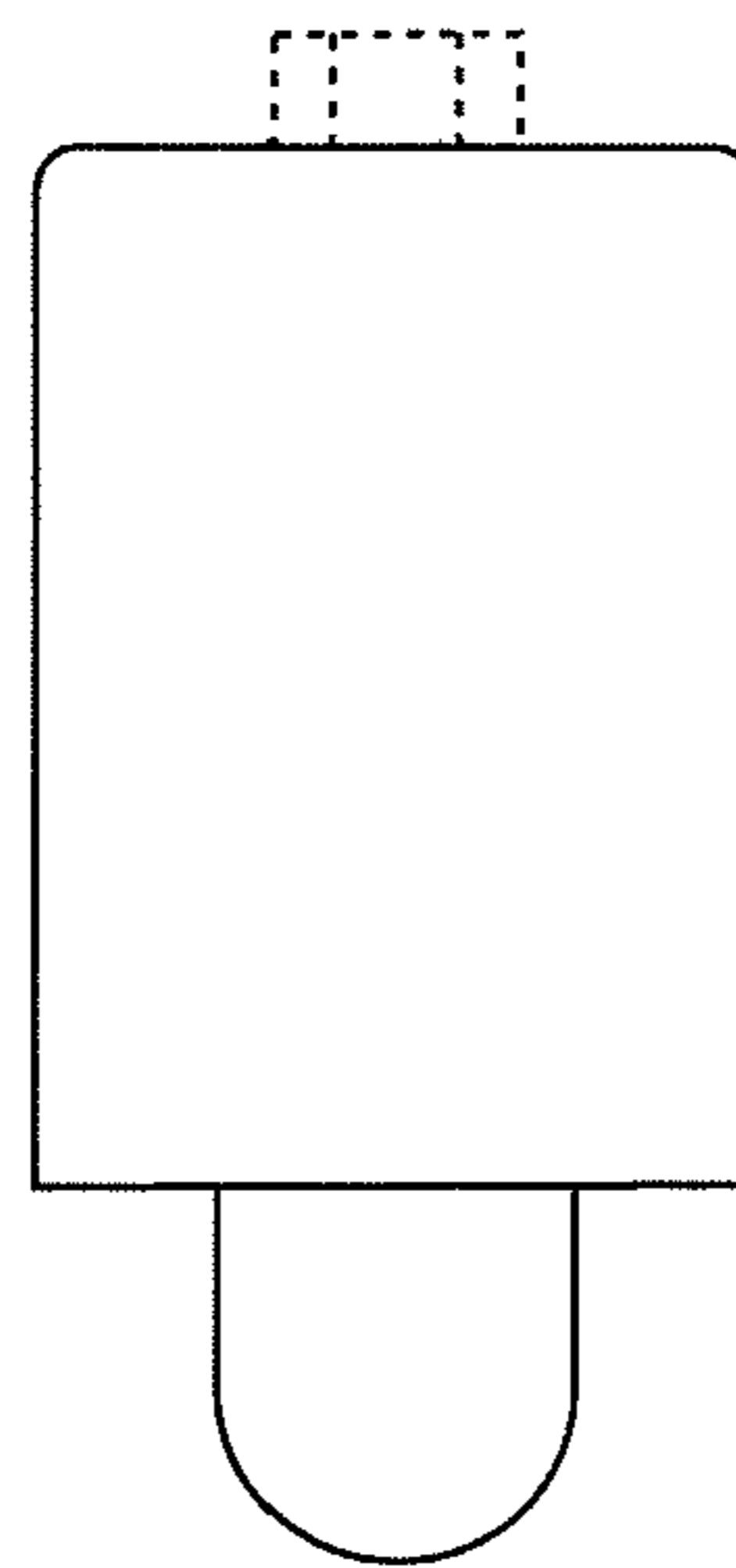
**FIG. 4**



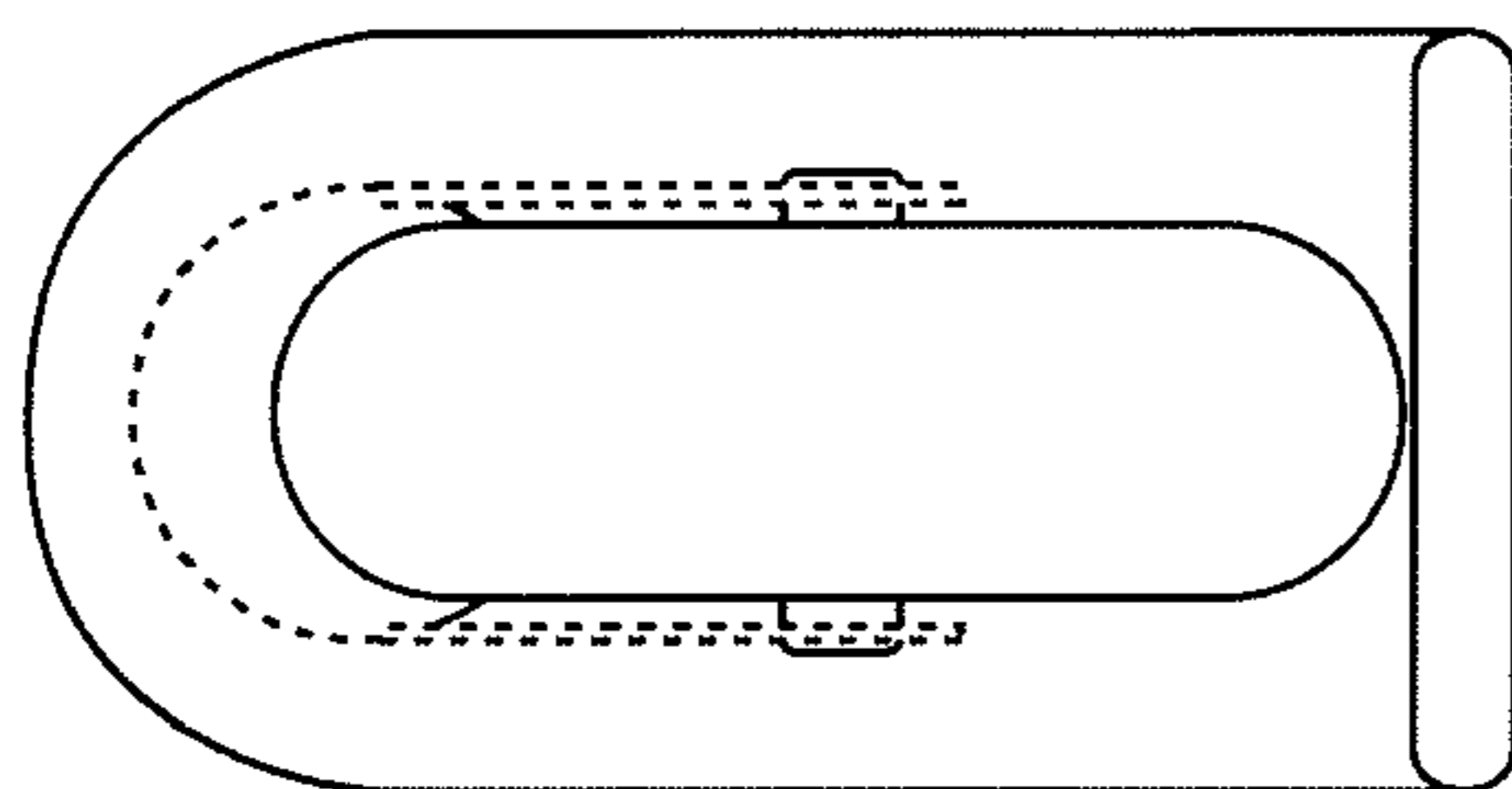
**FIG. 5**



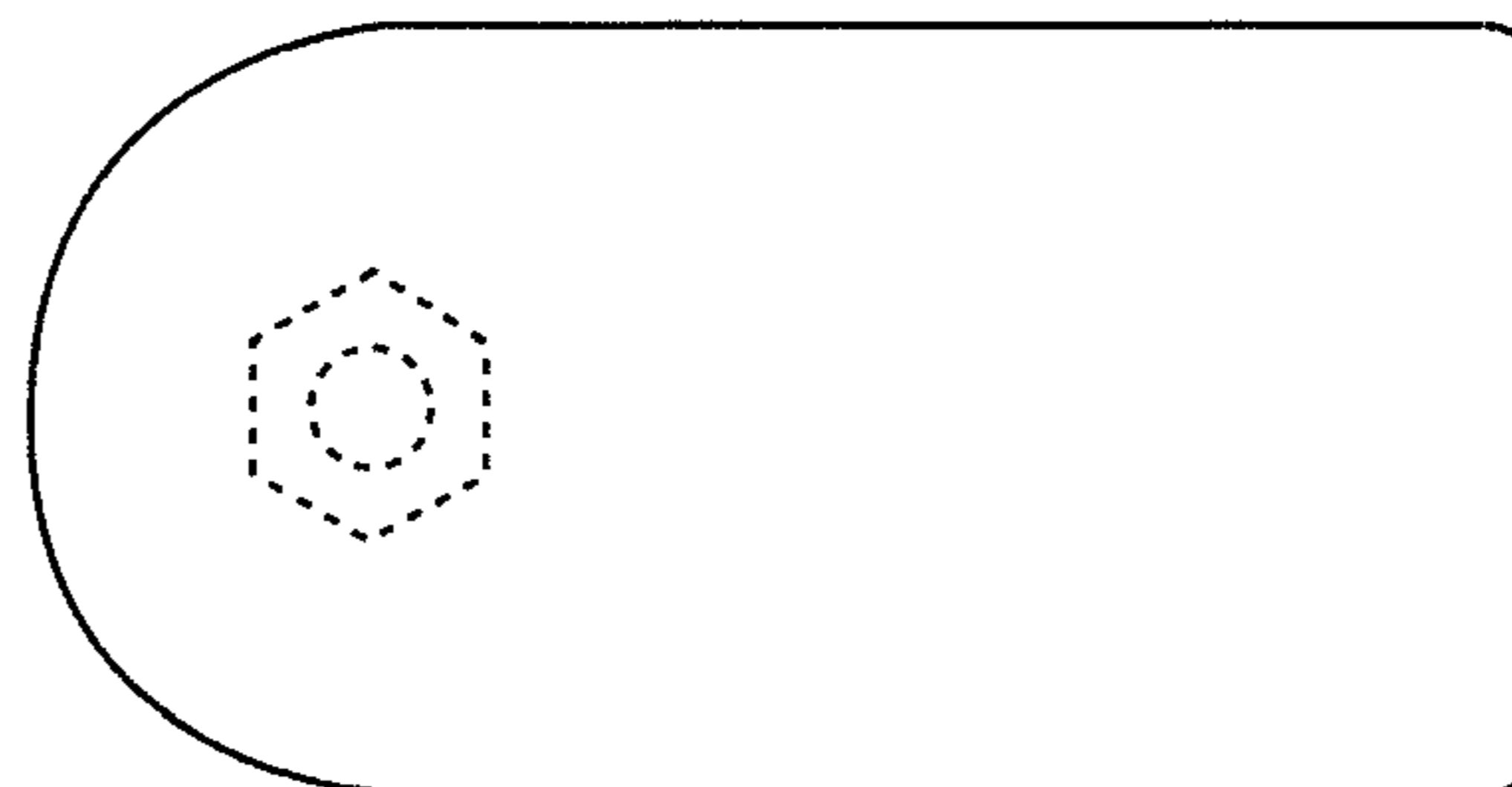
**FIG. 6**



**FIG. 7**



**FIG. 8**



**FIG. 9**

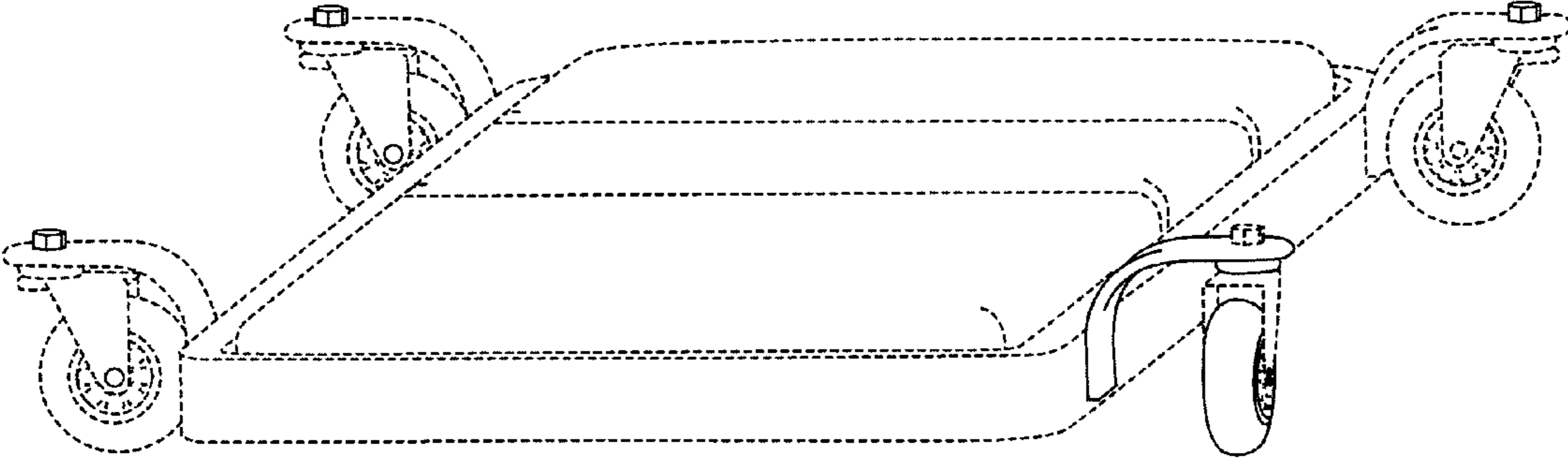


FIG. 10

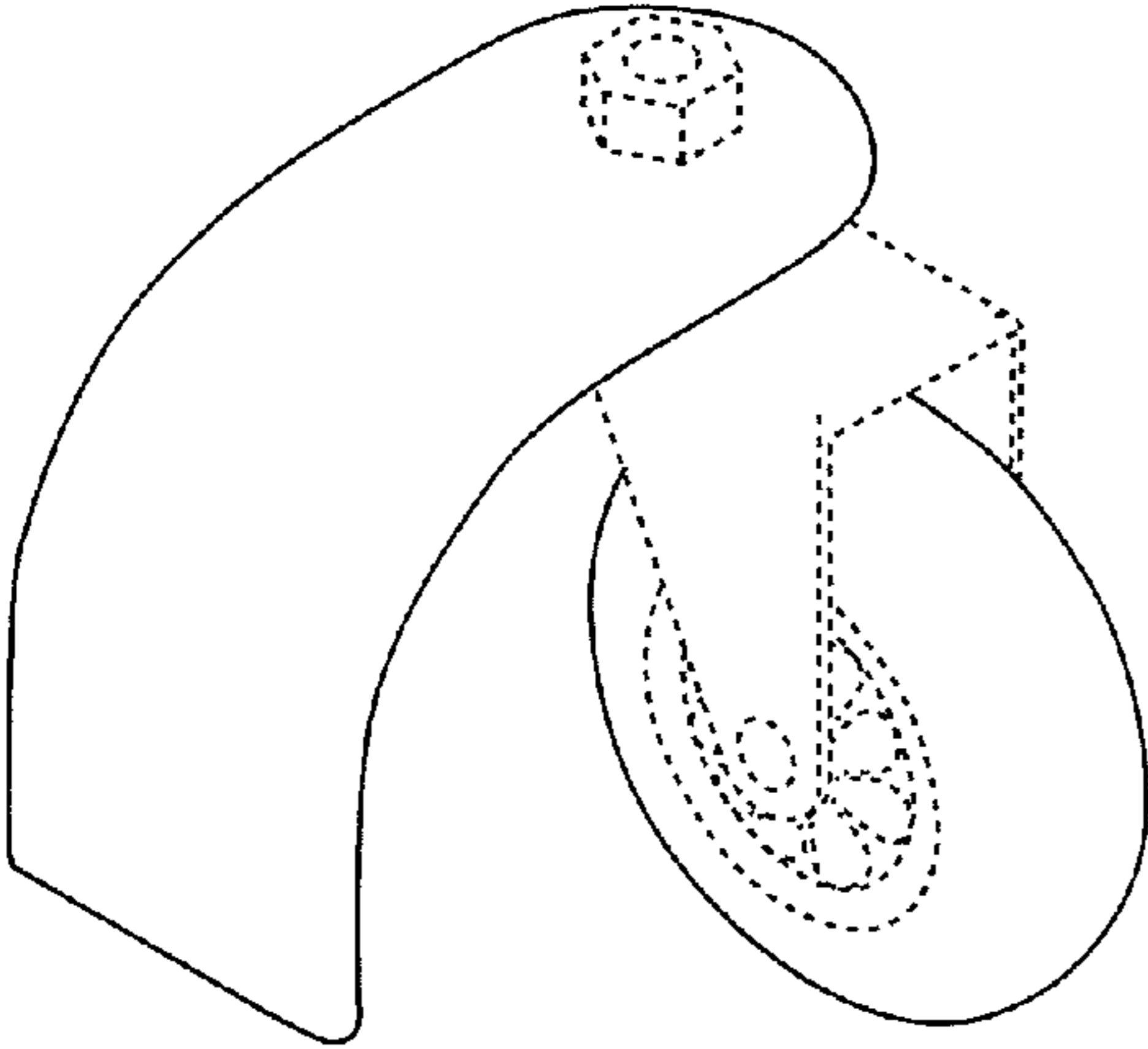


FIG. 11

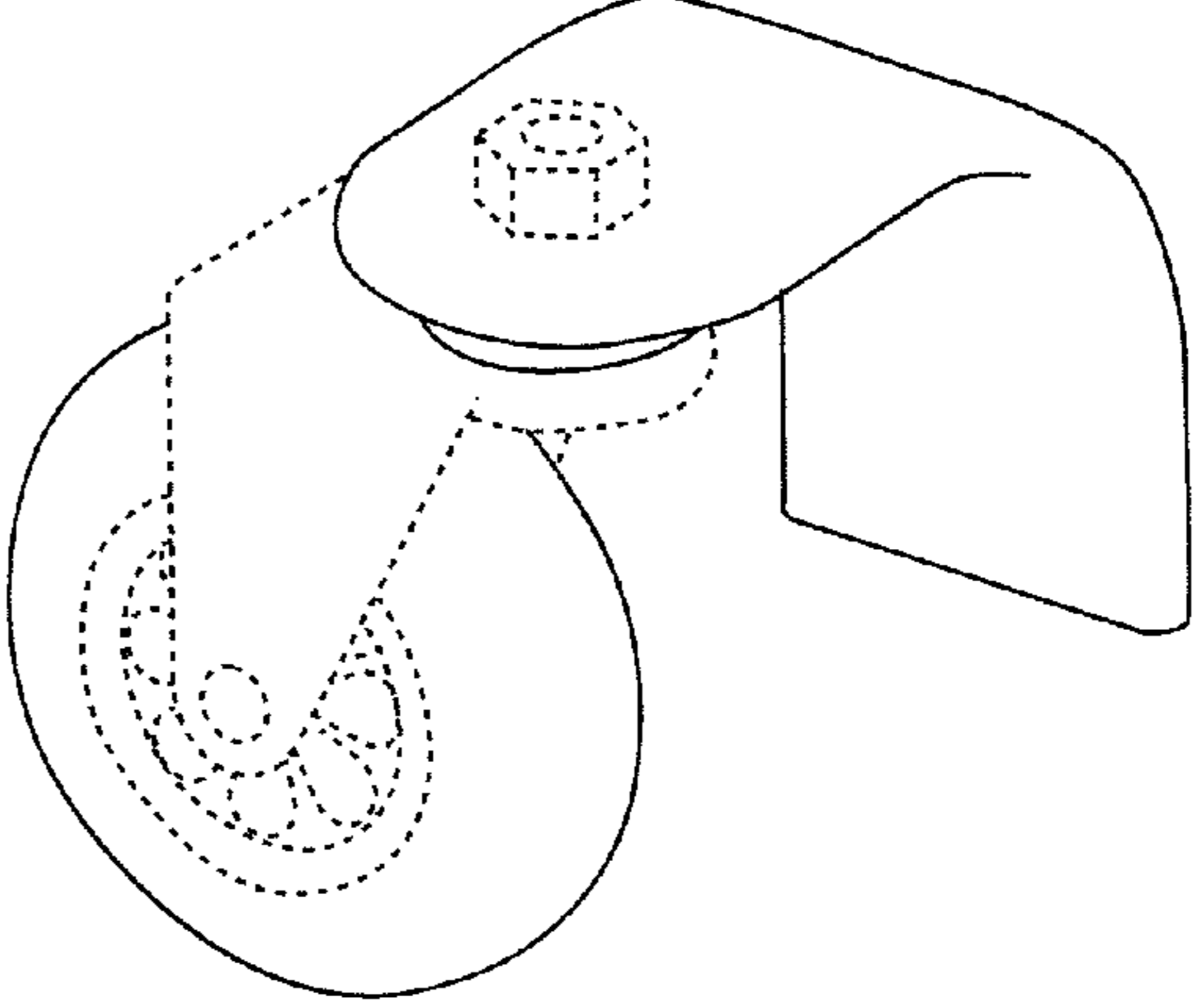
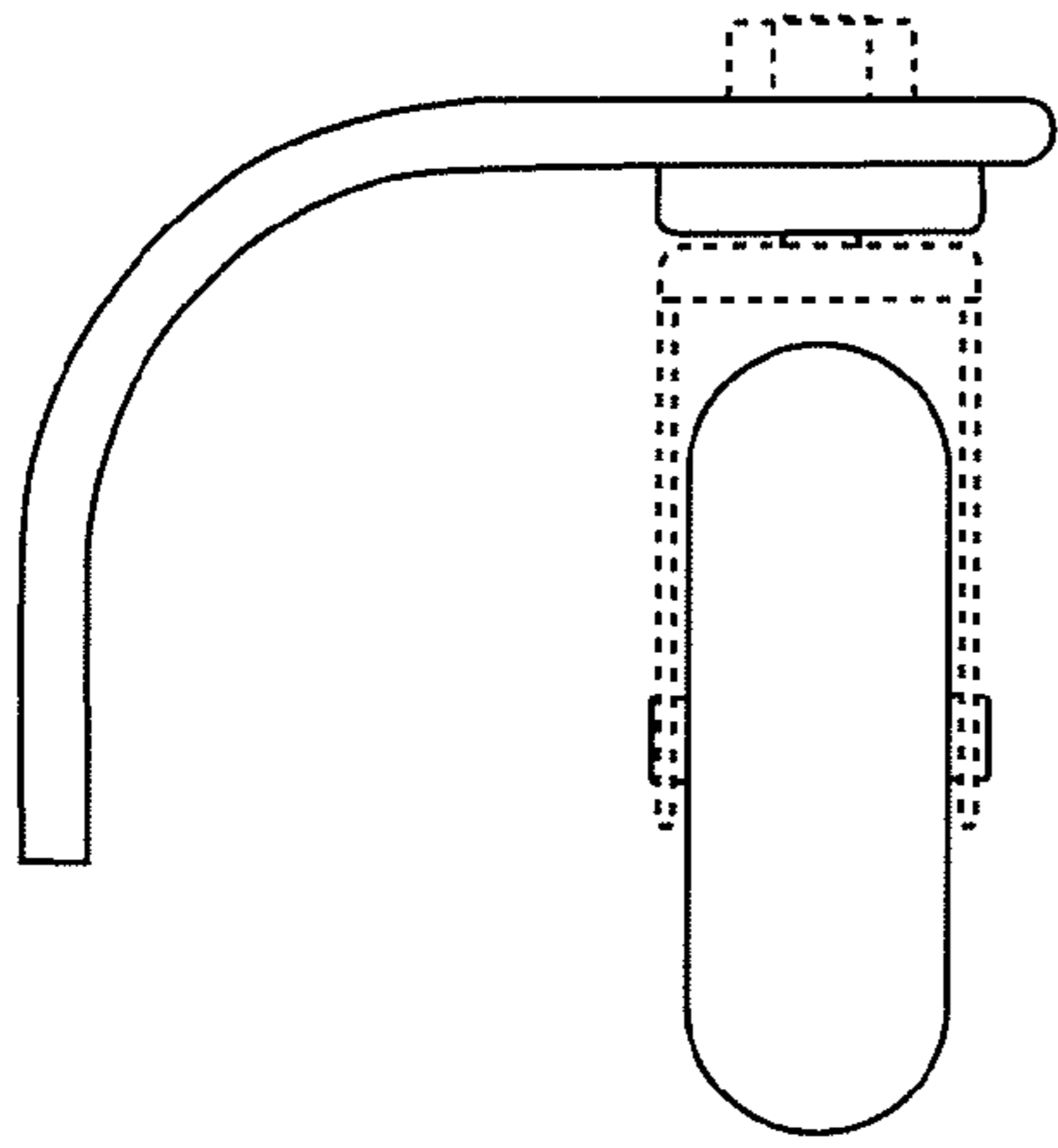
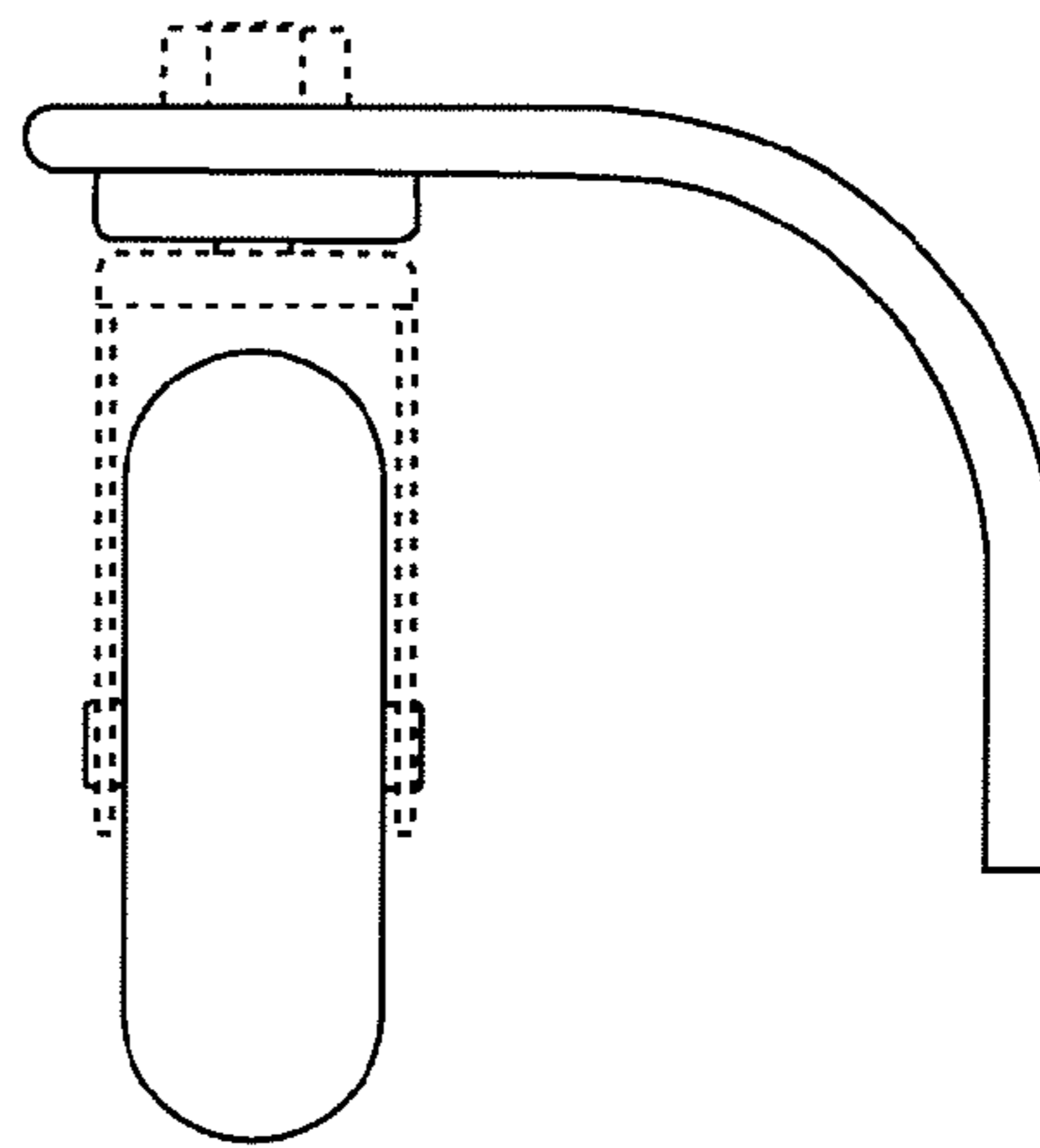


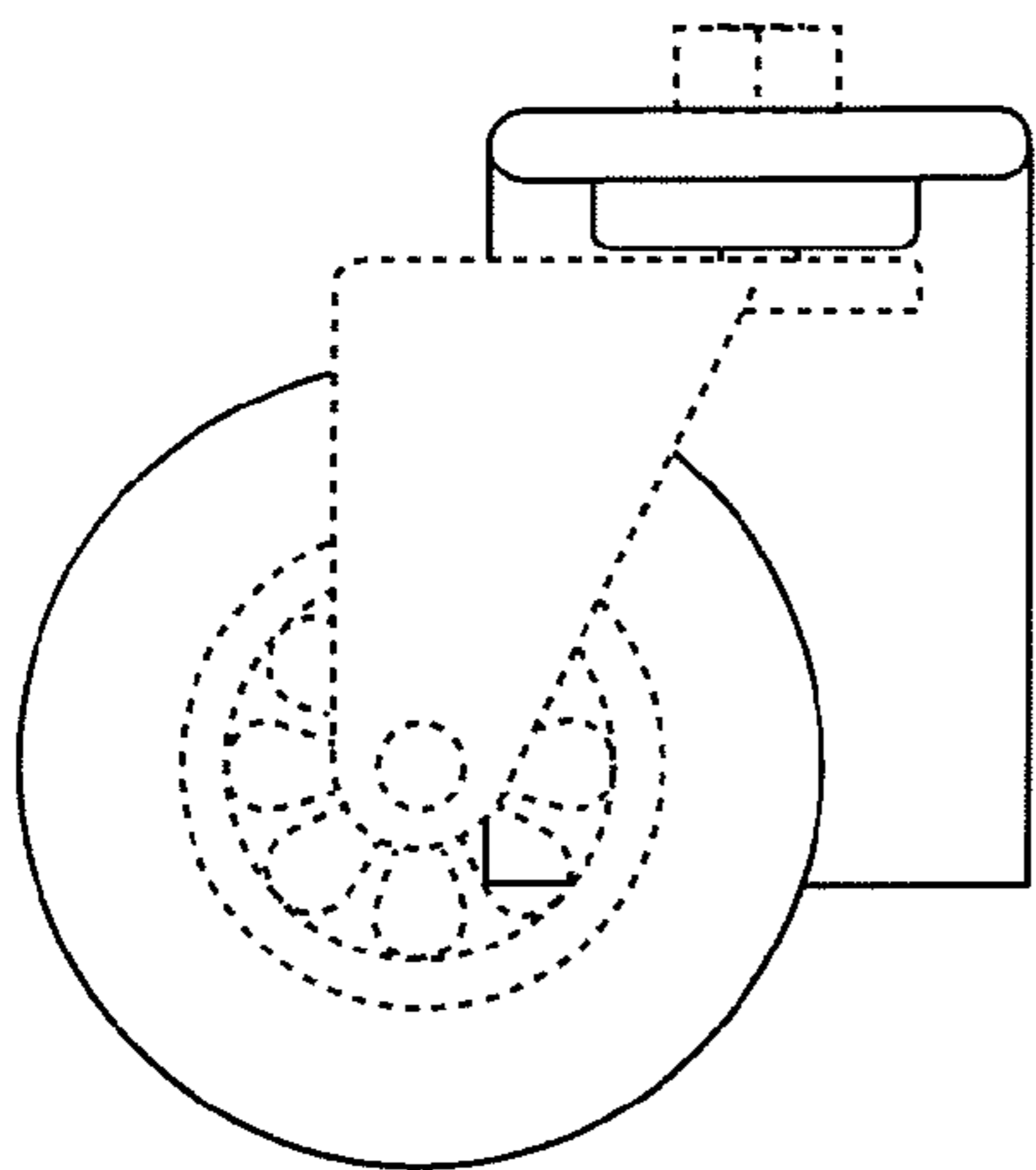
FIG. 12



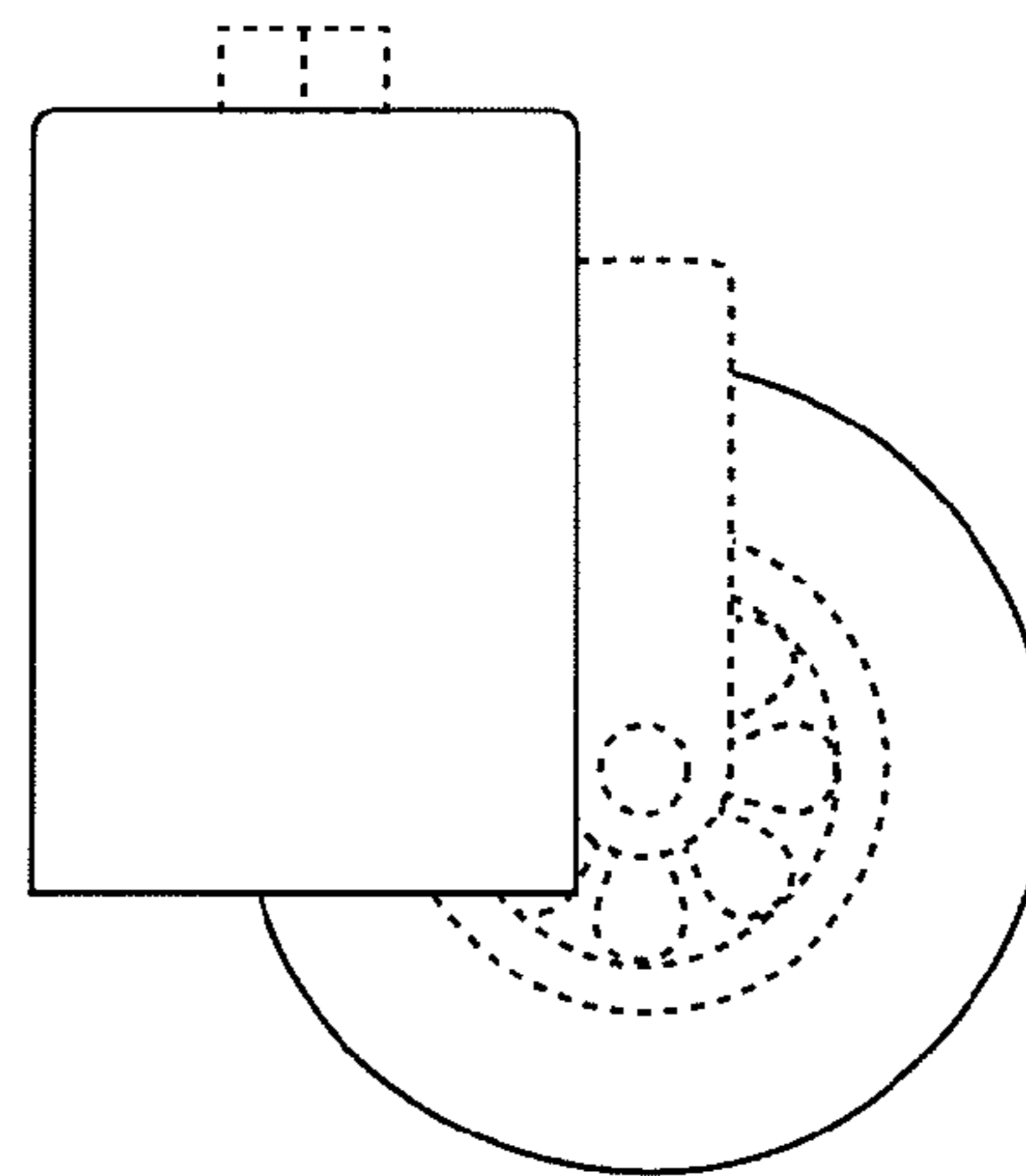
*FIG. 13*



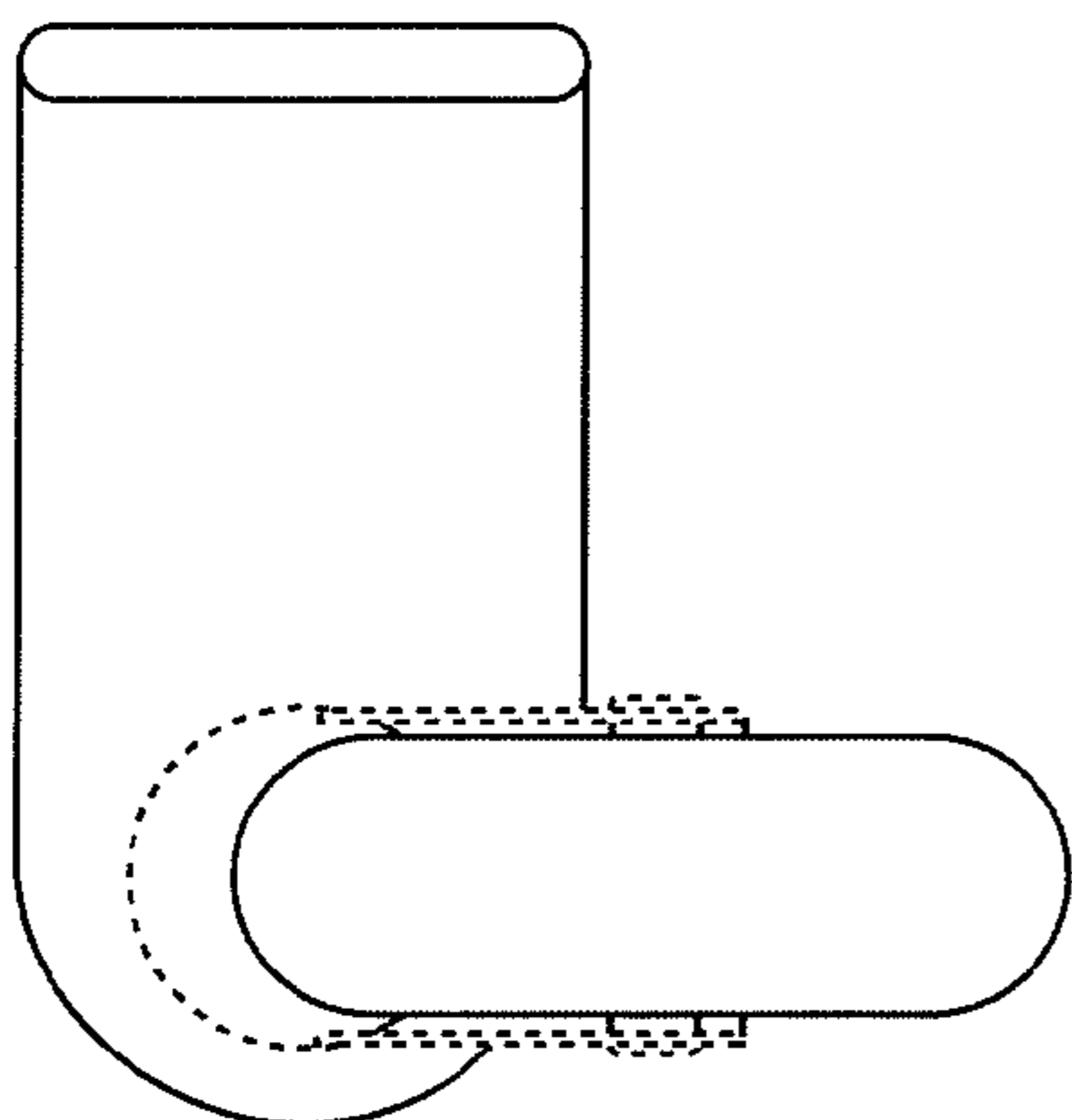
*FIG. 14*



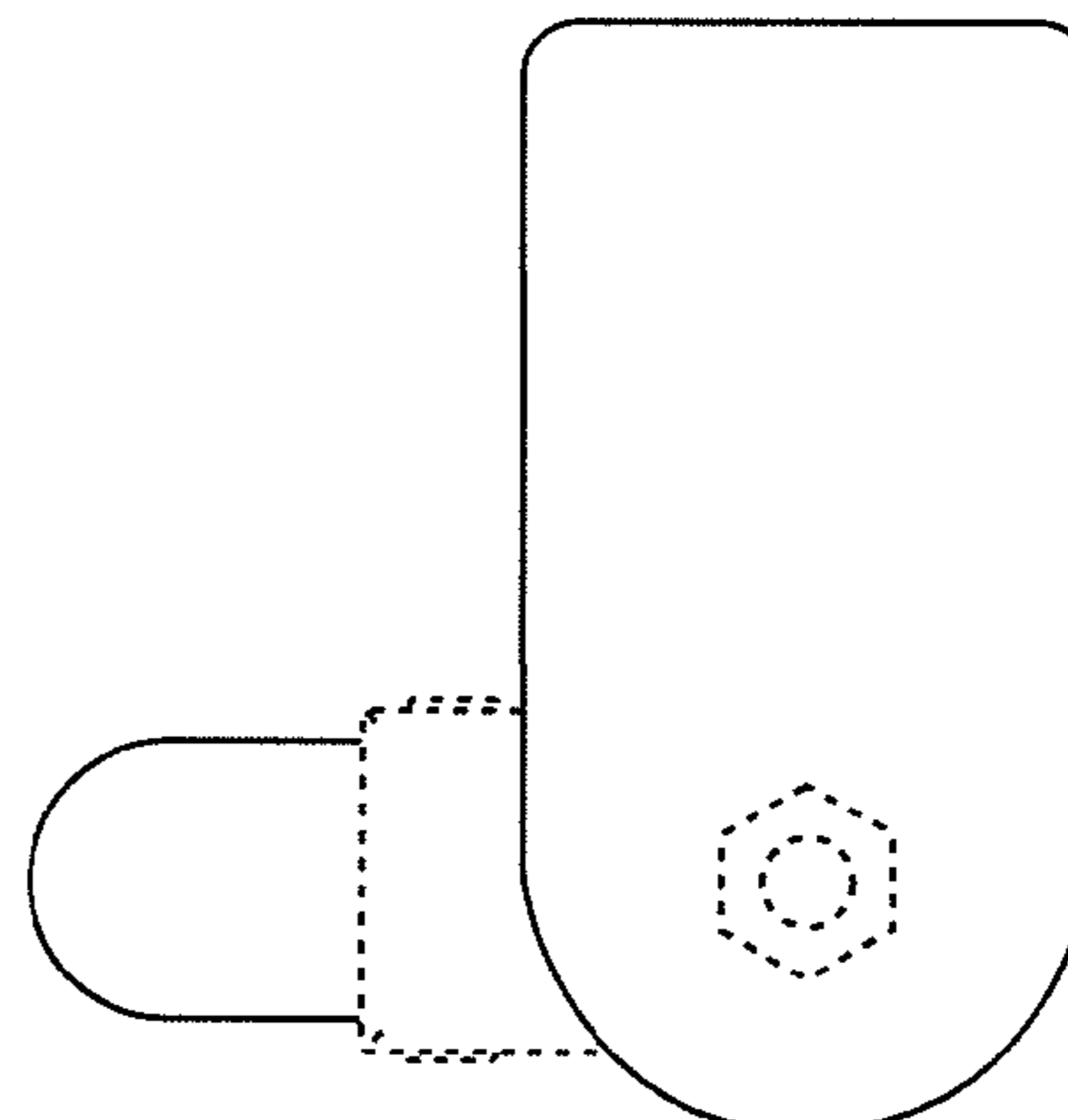
*FIG. 15*



*FIG. 16*



*FIG. 17*



*FIG. 18*