



US00D651059S

(12) **United States Design Patent**
McDonald

(10) **Patent No.:** **US D651,059 S**

(45) **Date of Patent:** **** Dec. 27, 2011**

(54) **LOG HANDLING TOOL**

(75) **Inventor:** **Tracey Daniel McDonald**, Saranac, MI (US)

(73) **Assignee:** **Tracey McDonald**, Saranac, MI (US)

(**) **Term:** **14 Years**

(21) **Appl. No.:** **29/382,312**

(22) **Filed:** **Dec. 31, 2010**

(51) **LOC (9) Cl.** **08-05**

(52) **U.S. Cl.** **D8/51**

(58) **Field of Classification Search** D8/51,
D8/52, 1, 4, 14, 57, 58; D34/28; 294/19.1,
294/3, 11, 28, 50.9, 104, 50; 81/418, 427.5,
81/324, 381

See application file for complete search history.

(56) **References Cited**

U.S. PATENT DOCUMENTS

| | | | | | |
|-----------|-----|--------|-----------|-------|--------|
| 139,029 | A * | 5/1873 | Smith | | 294/26 |
| 1,086,636 | A * | 2/1914 | Anderson | | 294/26 |
| D57,549 | S * | 4/1921 | Van Kuren | | D8/31 |
| 1,465,510 | A * | 8/1923 | Cote | | 294/26 |

| | | | | | |
|-----------|------|---------|------------------|-------|--------|
| D151,908 | S * | 11/1948 | McElderry | | D8/51 |
| D182,334 | S * | 3/1958 | Grossmann et al. | | D8/51 |
| D206,091 | S * | 10/1966 | McKenzie | | D8/51 |
| 3,310,331 | A * | 3/1967 | Michaud | | 294/26 |
| D265,375 | S * | 7/1982 | Alvarez | | D8/52 |
| 4,364,592 | A * | 12/1982 | Jackson | | 294/26 |
| 4,449,743 | A * | 5/1984 | Pankratz | | 294/11 |
| 7,896,414 | B1 * | 3/2011 | Brigham | | 294/26 |

* cited by examiner

Primary Examiner — Austin Murphy

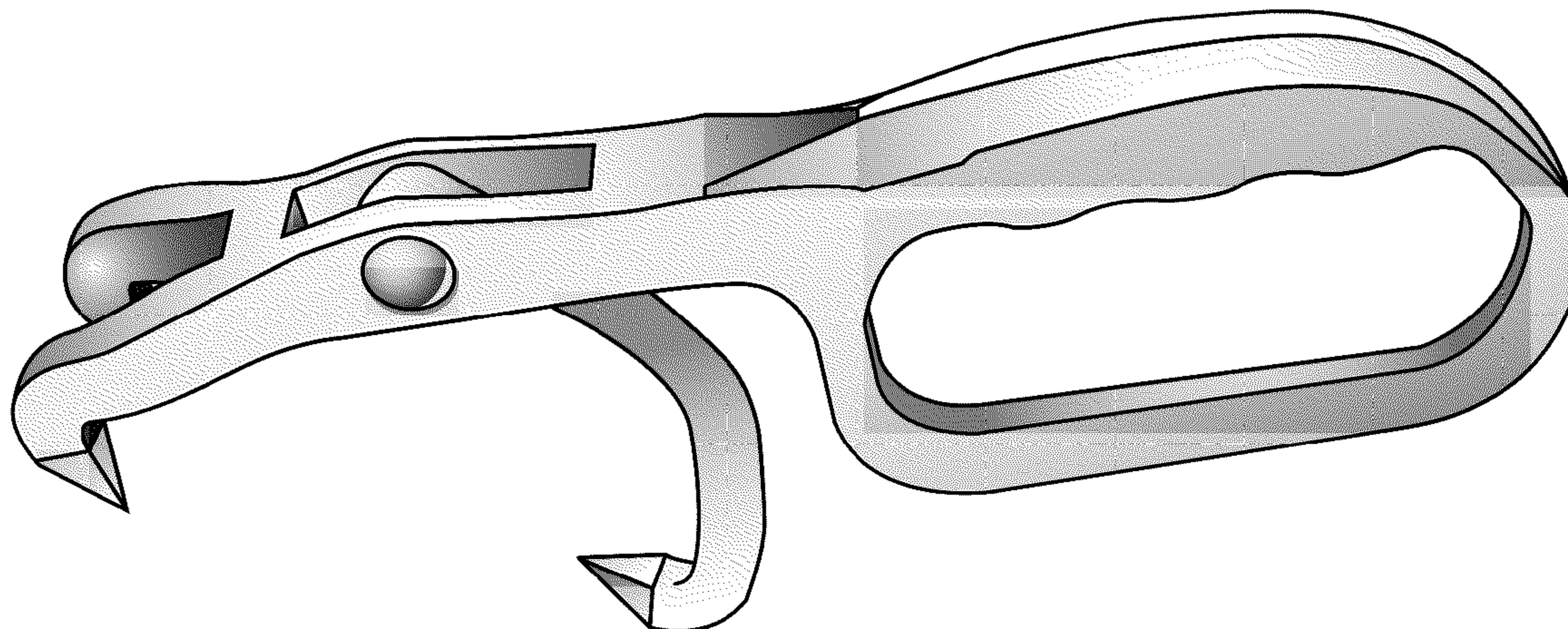
(57) **CLAIM**

I claim the ornamental design for the log handling tool, as shown and described.

DESCRIPTION

FIG. 1 is a perspective view from slightly above the log handling tool showing my new design;
FIG. 2 is a perspective view from slightly below thereof;
FIG. 3 is a right side elevation view, the left side view being a mirror image thereof;
FIG. 4 is a front elevation view thereof;
FIG. 5 is rear elevation view thereof;
FIG. 6 is a top plan view thereof; and,
FIG. 7 is a bottom plan view thereof.

1 Claim, 7 Drawing Sheets



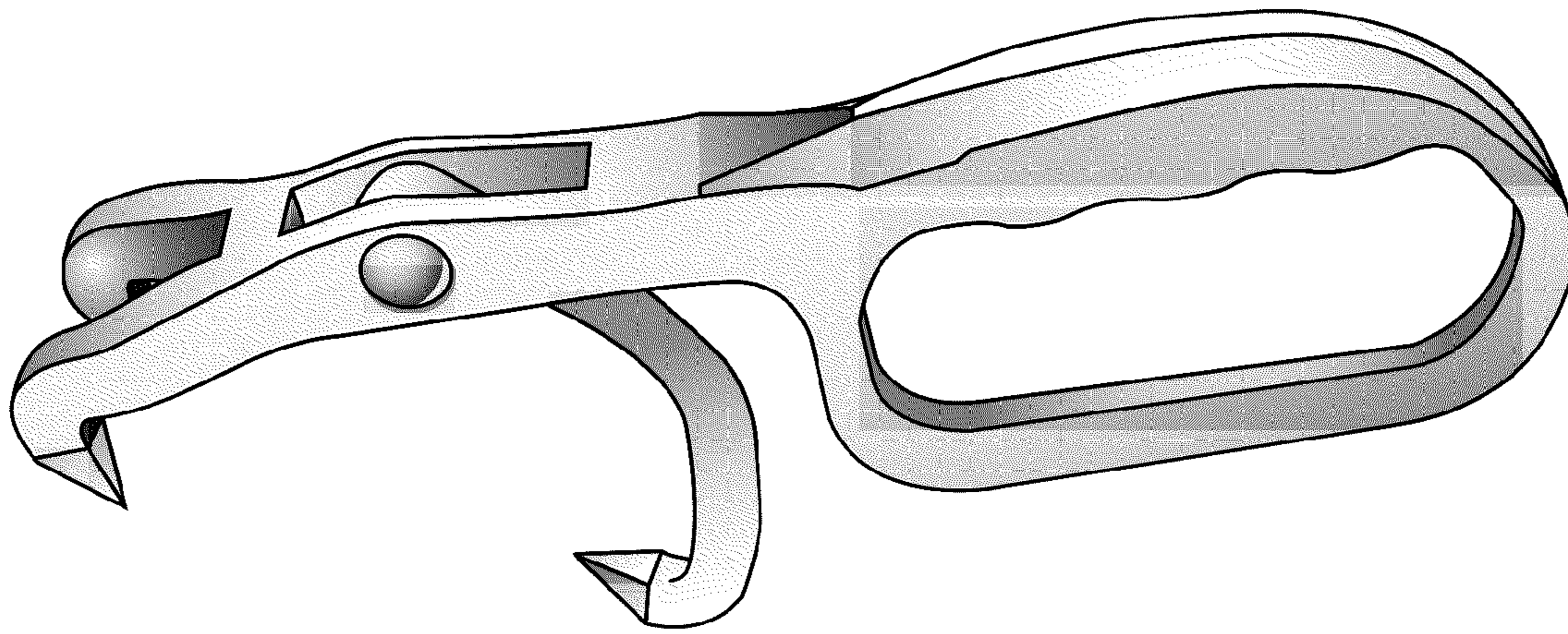


FIG. 1

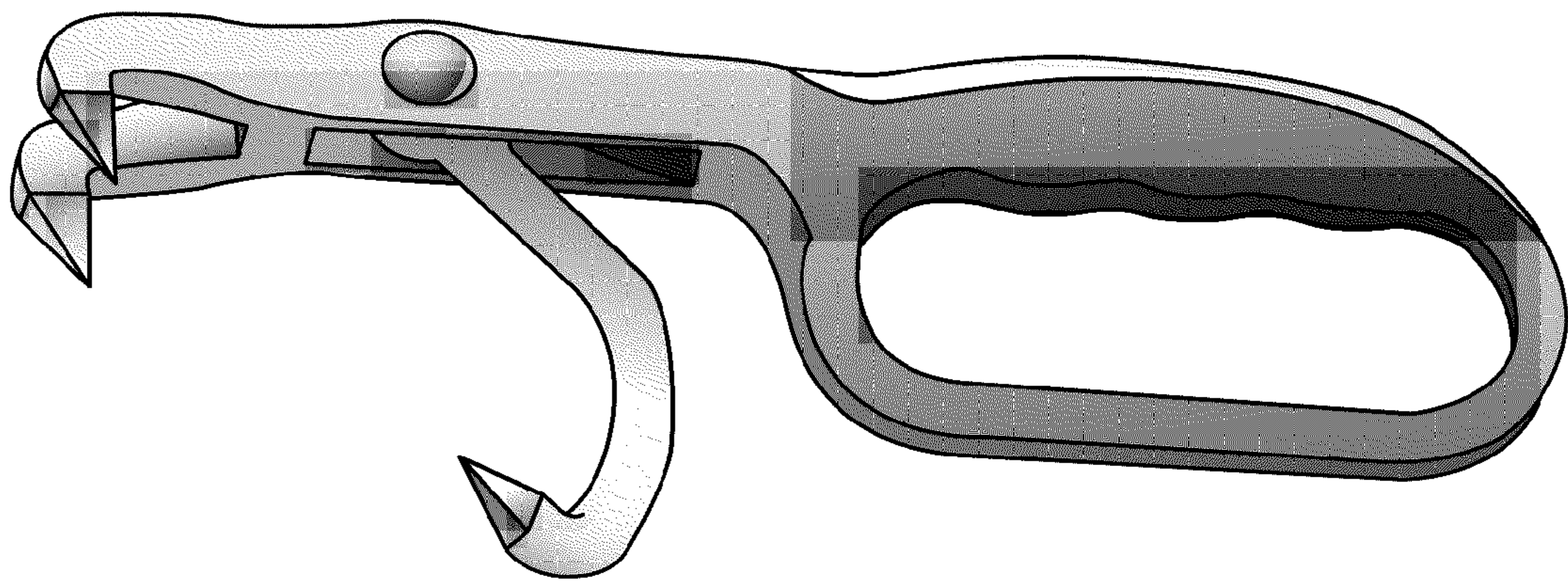


FIG. 2

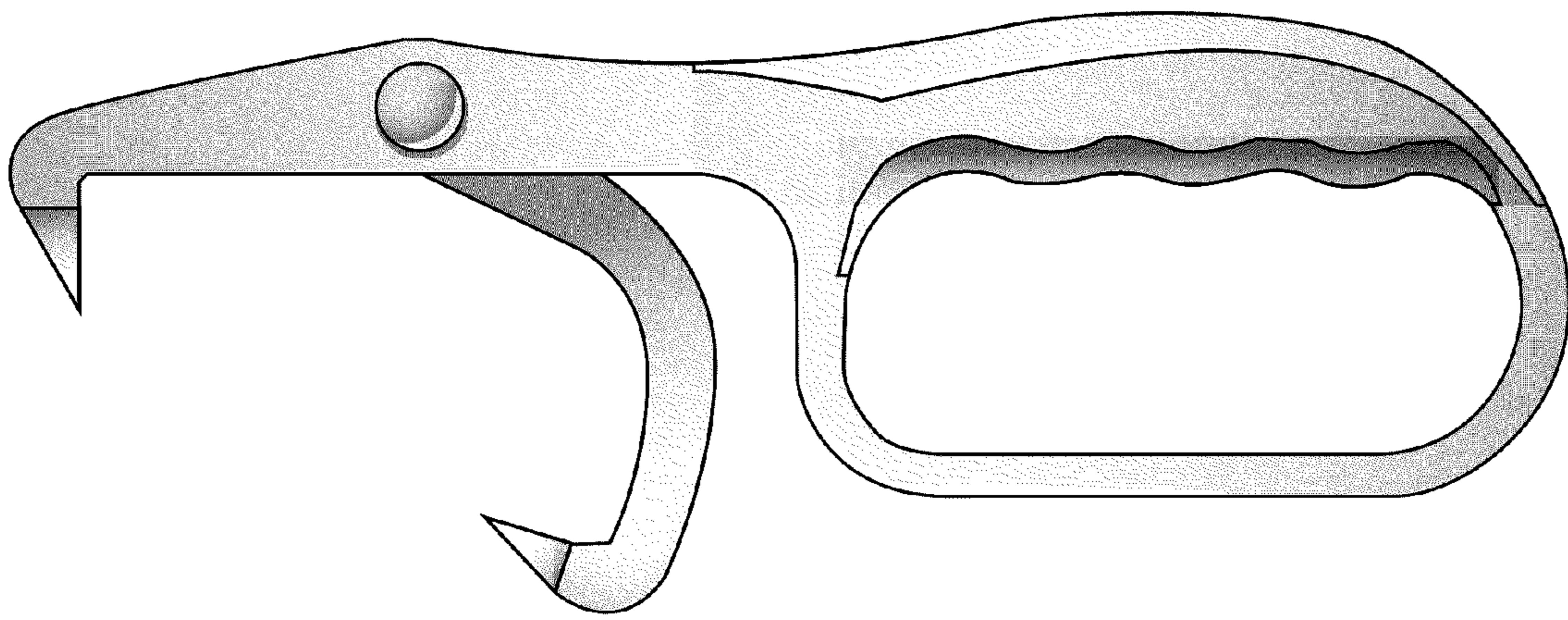


FIG. 3

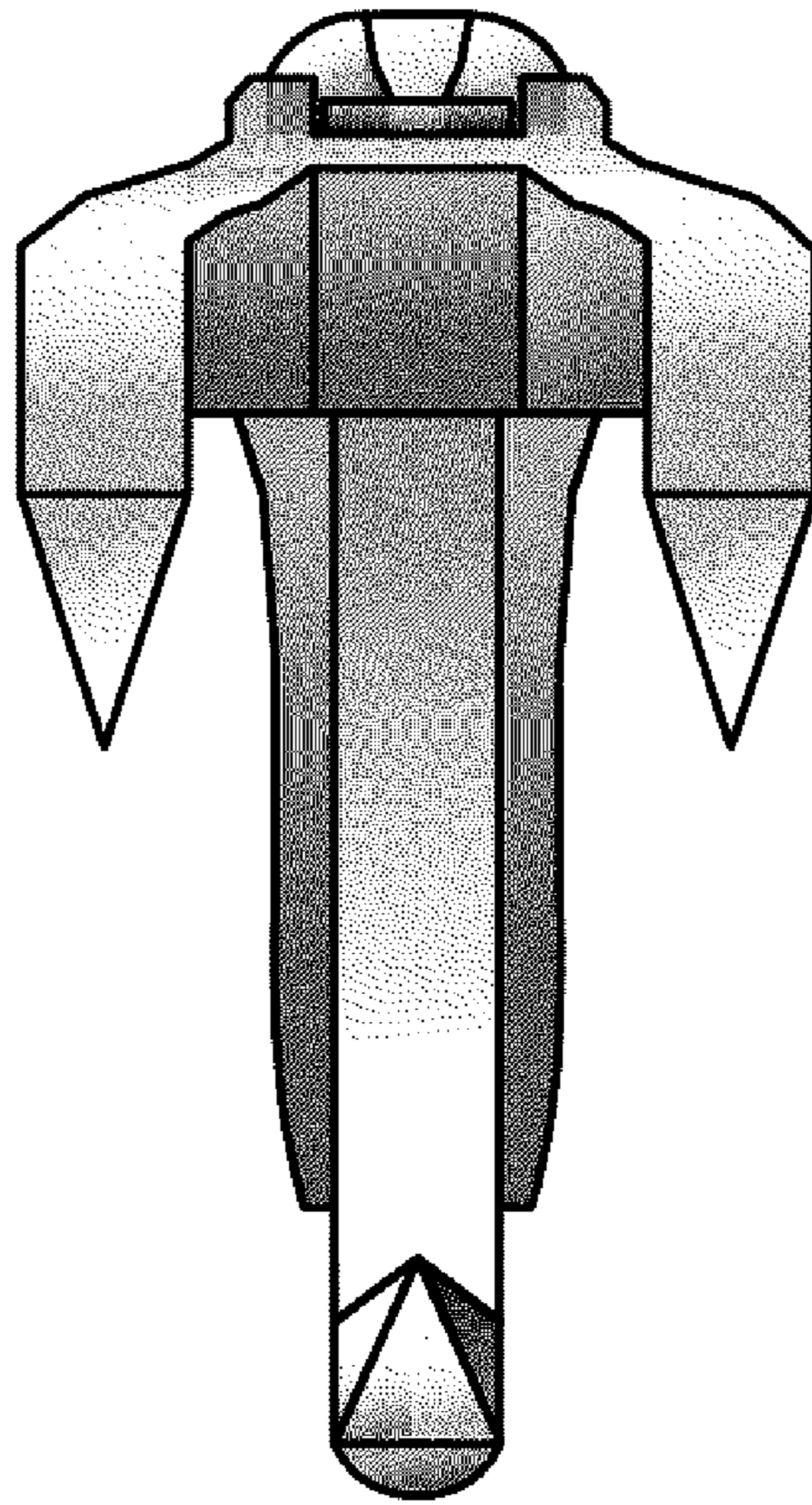


FIG. 4

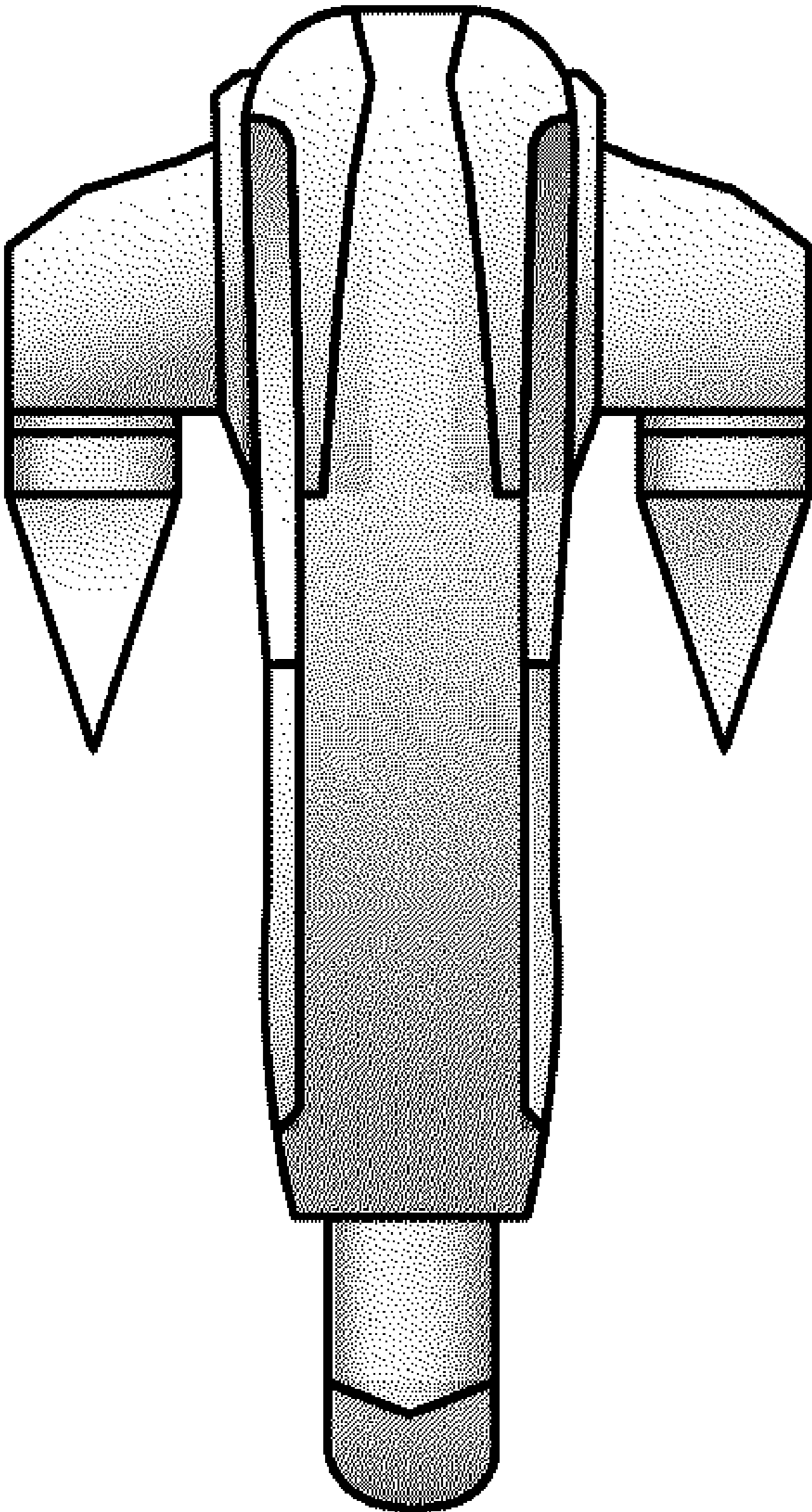


FIG. 5

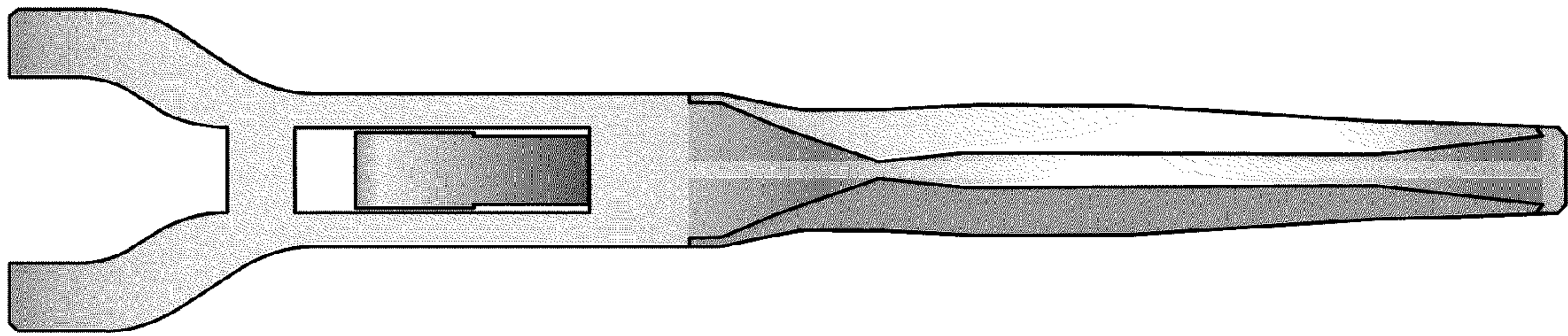


FIG. 6

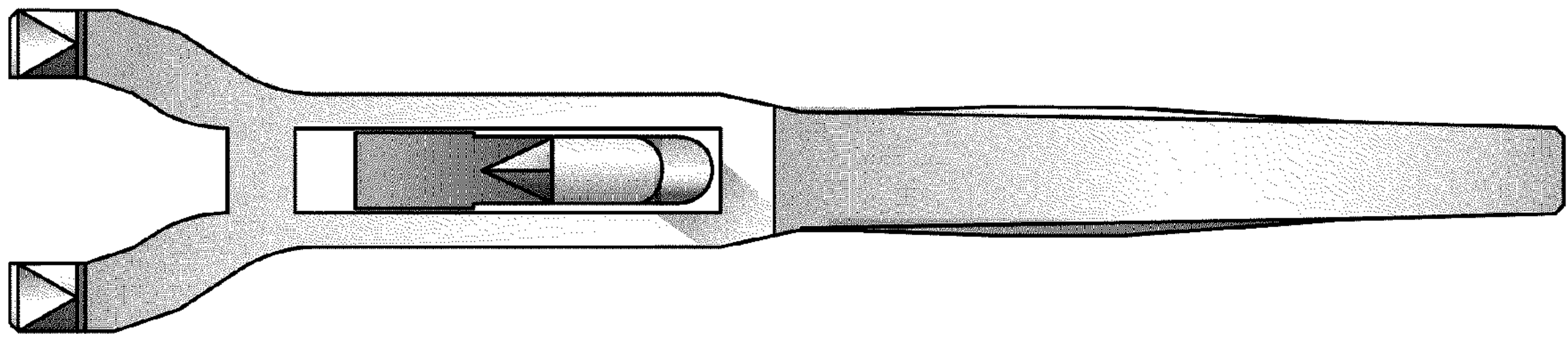


FIG. 7