



US00D651057S

(12) **United States Design Patent**
Hartsel

(10) **Patent No.:** **US D651,057 S**

(45) **Date of Patent:** **** Dec. 27, 2011**

(54) **SOLDER GUN**

(76) **Inventor:** **Guy G. Hartsel**, Tiffin, OH (US)

(**) **Term:** **14 Years**

(21) **Appl. No.:** **29/370,781**

(22) **Filed:** **Sep. 7, 2010**

(51) **LOC (9) Cl.** **08-05**

(52) **U.S. Cl.** **D8/30**

(58) **Field of Classification Search** D8/14,
D8/14.1, 29.1-29.2, 30, 51; 219/227-230,
219/238, 241, 248, 497

See application file for complete search history.

(56) **References Cited**

U.S. PATENT DOCUMENTS

2,597,215	A *	5/1952	Wright et al.	392/488
2,713,627	A *	7/1955	Kamataris	392/383
D228,440	S *	9/1973	Mestrovic et al.	D8/30
D352,875	S *	11/1994	Story et al.	D8/14
D368,838	S *	4/1996	Paklaian	D8/14.1
D379,577	S *	6/1997	Carkhuff	D8/30
D399,719	S *	10/1998	Mignanelli	D8/68
D407,726	S *	4/1999	Zigliotto	D15/144

D427,388	S *	6/2000	Sullivan	D30/158
6,305,325	B1 *	10/2001	Sullivan	119/600
6,646,228	B2 *	11/2003	Axinte et al.	219/231
RE40,196	E *	4/2008	Sullivan	119/600

* cited by examiner

Primary Examiner — Philip S Hyder

Assistant Examiner — Roselynn Cody

(74) *Attorney, Agent, or Firm* — Richard L. Mikesell

(57) **CLAIM**

The ornamental design for a solder gun, as shown and described.

DESCRIPTION

FIG. 1: Top right perspective view;

FIG. 2: Right side elevation;

FIG. 3: Top plan view;

FIG. 4: Bottom plan view;

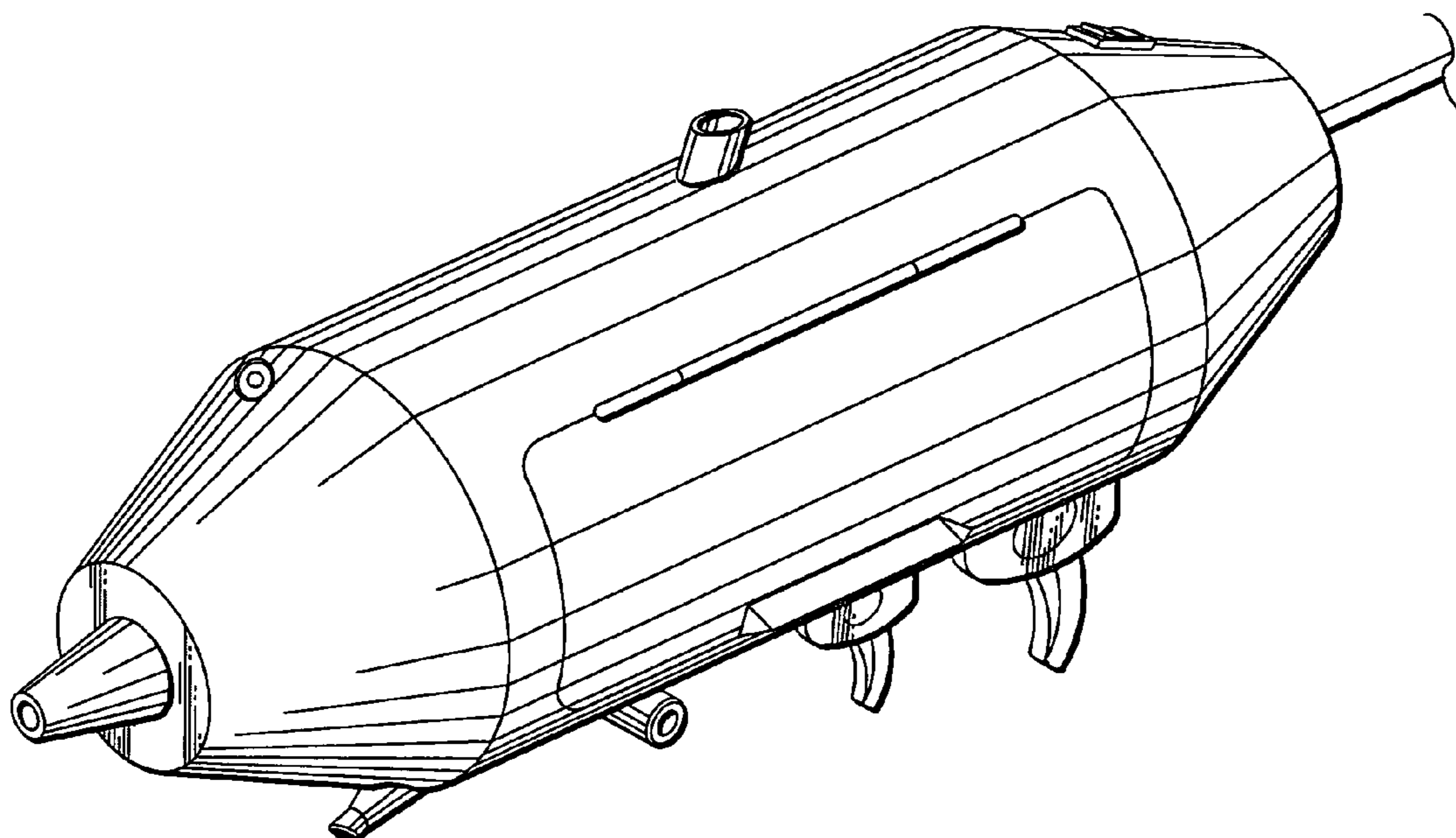
FIG. 5: Left side elevation;

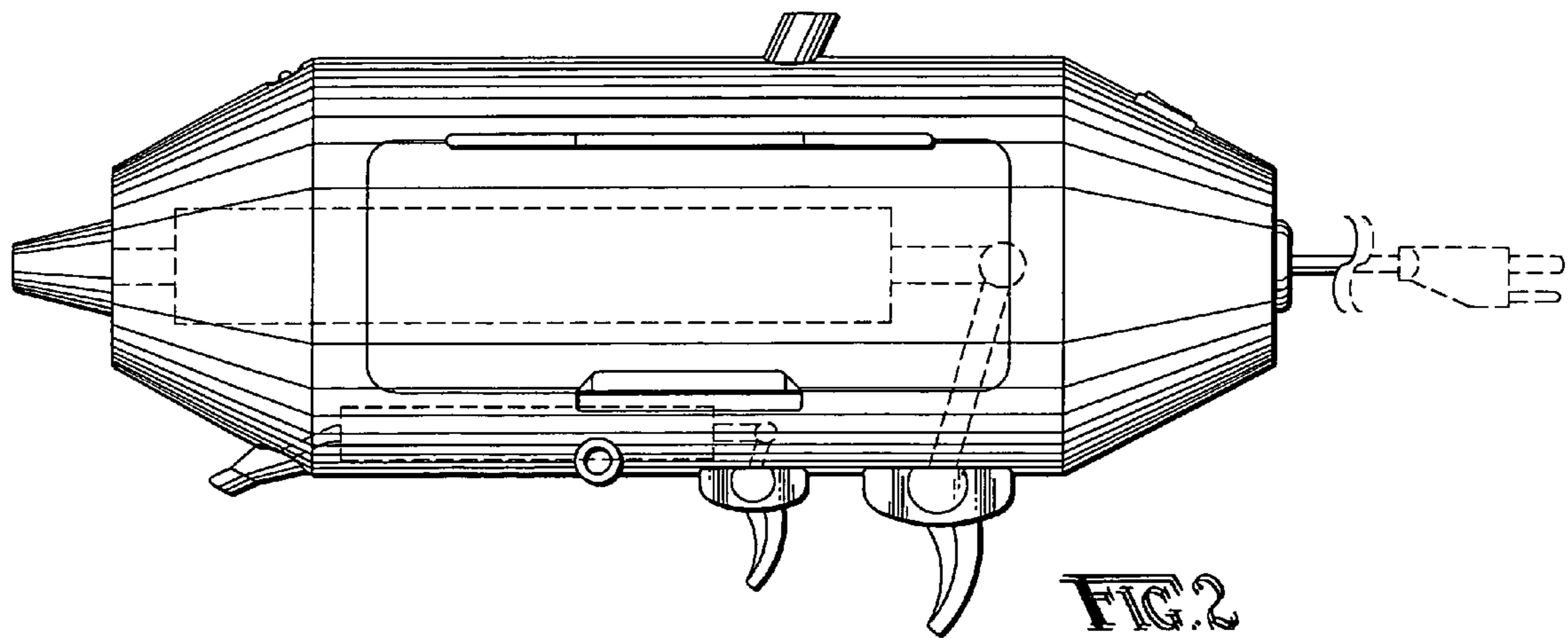
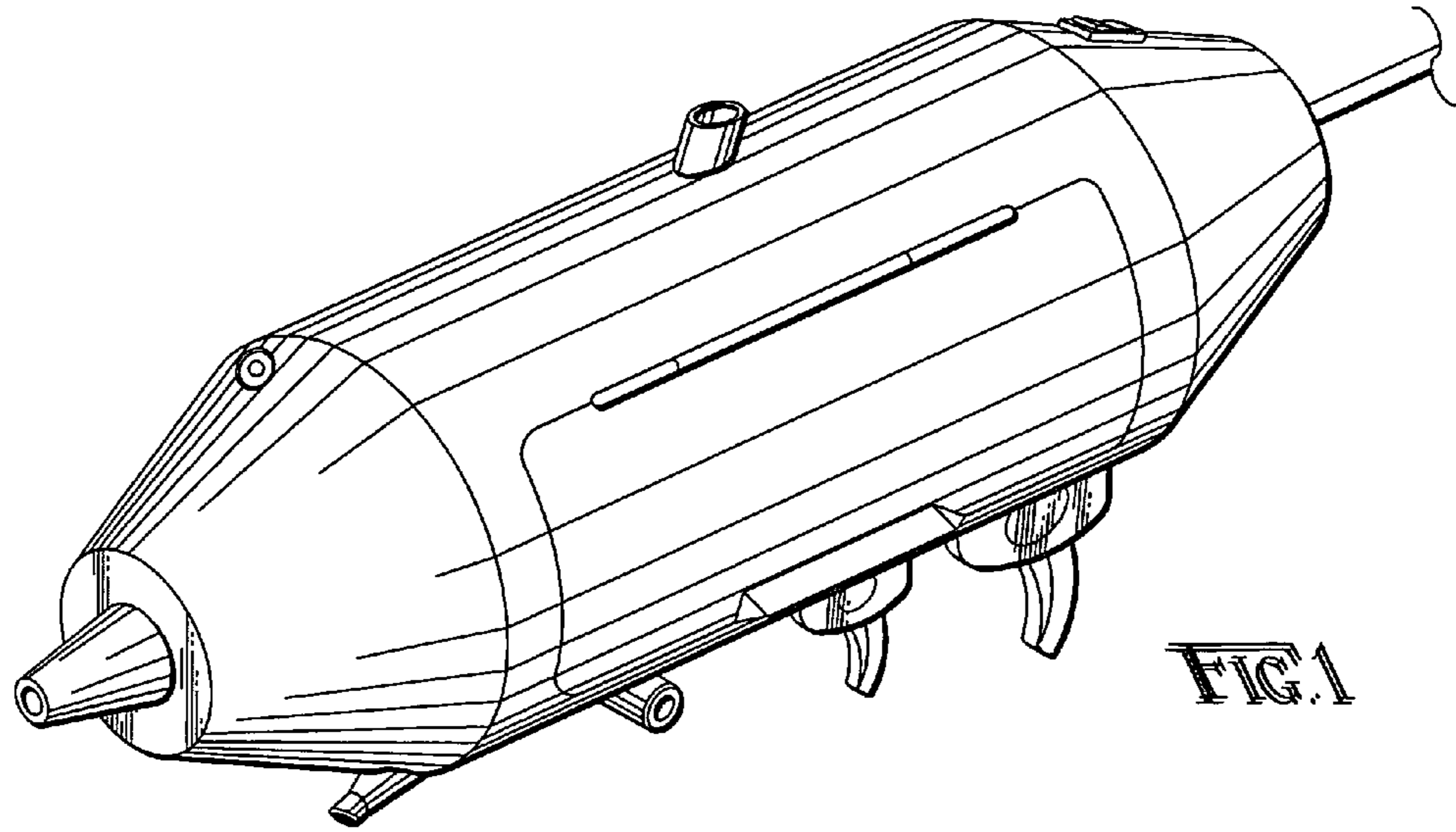
FIG. 6: Front elevation; and,

FIG. 7: Rear elevation.

The broken lines in FIG. 2 illustrate features that form no part of the claimed design.

1 Claim, 3 Drawing Sheets





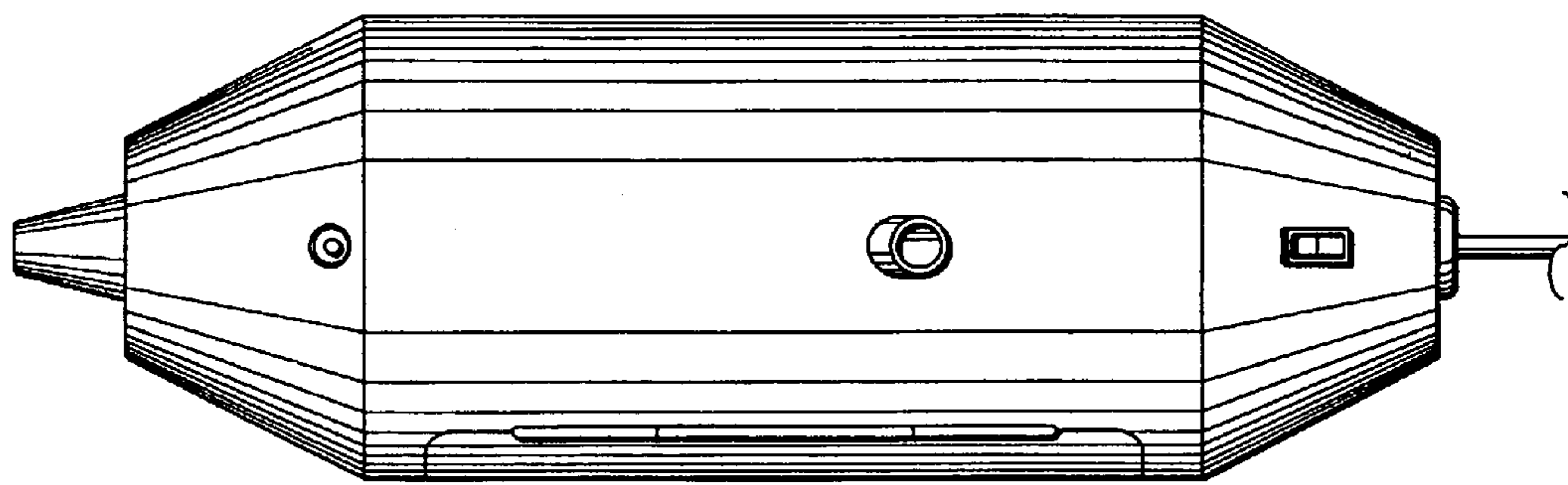


FIG. 3

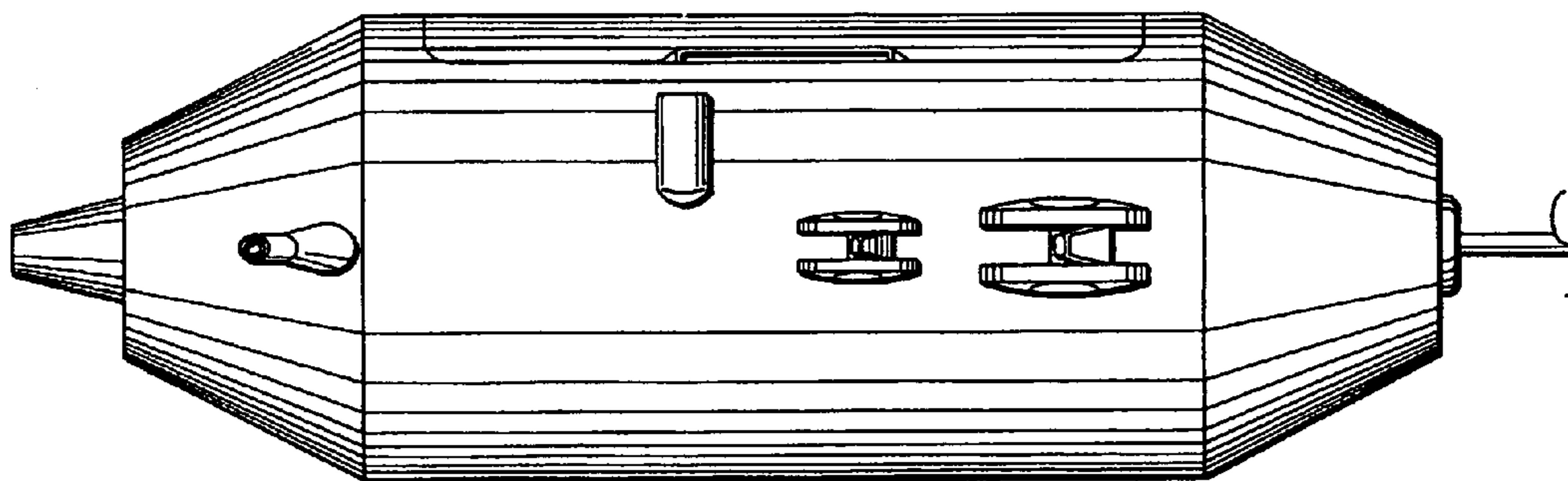


FIG. 4

