



US00D651056S

(12) **United States Design Patent**  
**Robinson et al.**

(10) **Patent No.:** **US D651,056 S**

(45) **Date of Patent:** **\*\* Dec. 27, 2011**

(54) **RATCHET HANDLE**

(75) Inventors: **Glenn Robinson**, Parkland, FL (US);  
**Michael Garcia**, Coral Springs, FL (US)

(73) Assignee: **IBT Holdings, LLC**, Deerfield Beach,  
FL (US)

(\*\*) Term: **14 Years**

(21) Appl. No.: **29/373,258**

(22) Filed: **Mar. 24, 2011**

(51) **LOC (9) Cl.** ..... **08-05**

(52) **U.S. Cl.** ..... **D8/25**

(58) **Field of Classification Search** ..... D8/17,  
D8/21-29, 97, 107; 81/60, 177.1, 177.85,  
81/121.1, 124.3, 165-170, 110.1, 176.2,  
81/124.6, 176.1, 176.15, 177.2, 186; 16/110.1;  
D15/144.1; 219/75, 227, 229, 121.16, 121.18  
See application file for complete search history.

(56) **References Cited**

U.S. PATENT DOCUMENTS

D468,617 S \* 1/2003 Wang ..... D8/107  
D474,662 S \* 5/2003 Canino et al. .... D8/25  
D532,275 S \* 11/2006 Lin ..... D8/107  
D610,895 S \* 3/2010 Garcia et al. .... D8/107  
D614,819 S \* 4/2010 Lin ..... D30/159

D614,930 S \* 5/2010 Garcia et al. .... D8/83  
D617,170 S \* 6/2010 Lai ..... D8/107  
D633,163 S \* 2/2011 Fitzpatrick et al. .... D22/108  
D633,357 S \* 3/2011 Garcia et al. .... D8/83  
D633,358 S \* 3/2011 Deguglimo et al. .... D8/83

\* cited by examiner

*Primary Examiner* — Raphael Barkai

*Assistant Examiner* — Randall H Gholson

(74) *Attorney, Agent, or Firm* — Dan M. DeLaRosa

(57) **CLAIM**

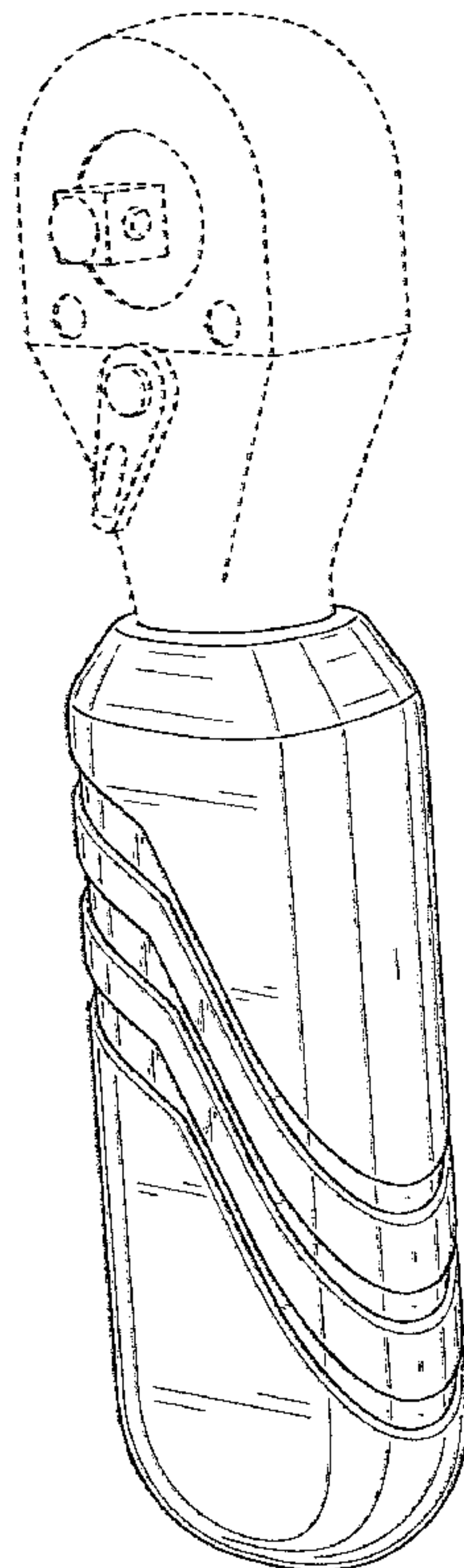
The ornamental design for a ratchet handle, as shown and described.

**DESCRIPTION**

FIG. 1 is a front perspective view of the ratchet handle of the present invention showing my new design; FIG. 2 is a front side elevational view thereof; FIG. 3 is a back side elevational view thereof; FIG. 4 is a side elevational view thereof; FIG. 5 is another side elevational view thereof; FIG. 6 is a top plan view thereof; FIG. 7 is a bottom plan view thereof; and, FIG. 8 is a rear perspective view thereof.

The broken lines showing a ratchet wrench head is included for the purpose of illustration only and forms no part of the claimed design.

**1 Claim, 5 Drawing Sheets**



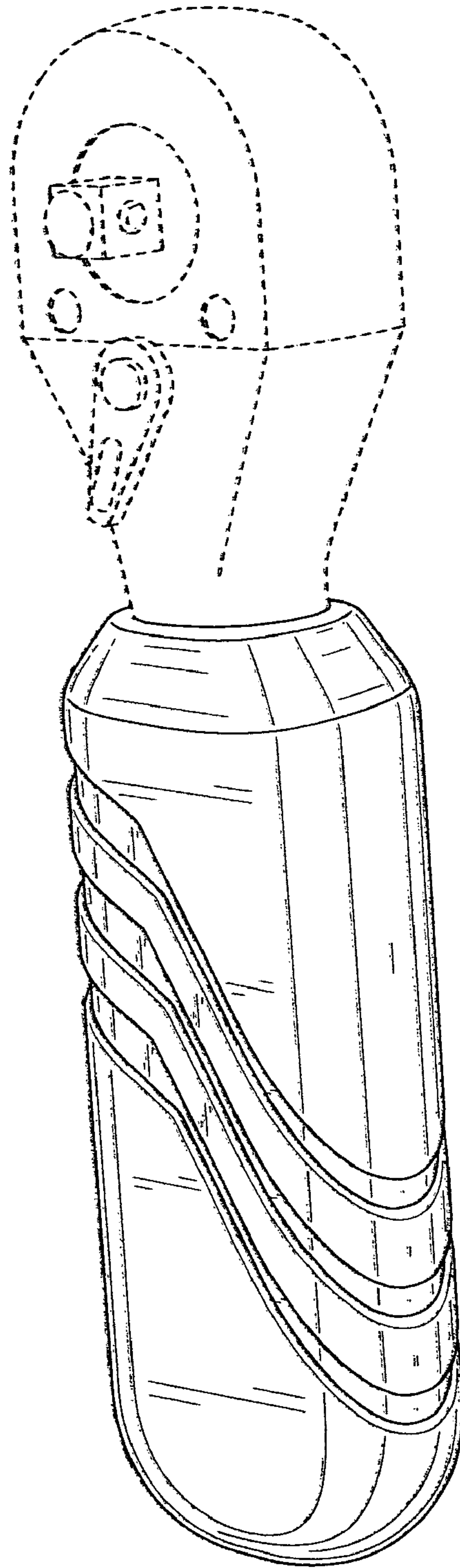


FIG. 1

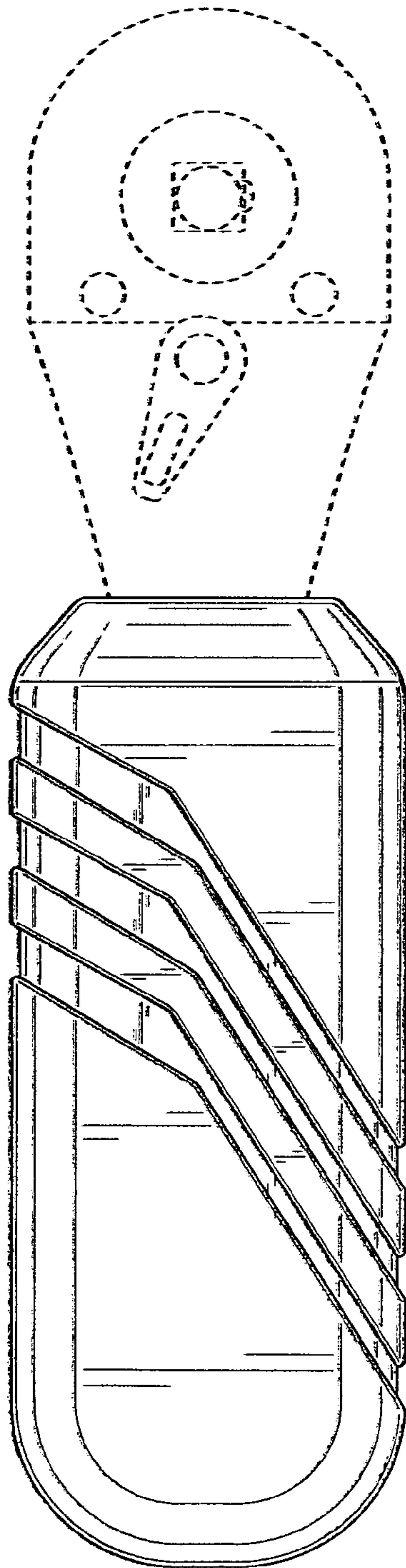


FIG. 2

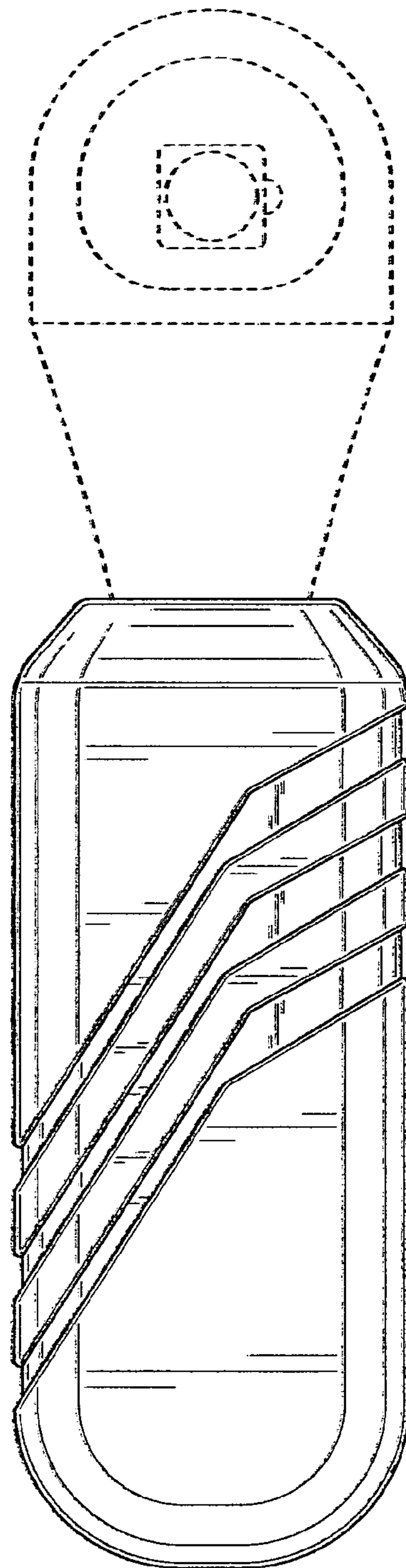


FIG. 3

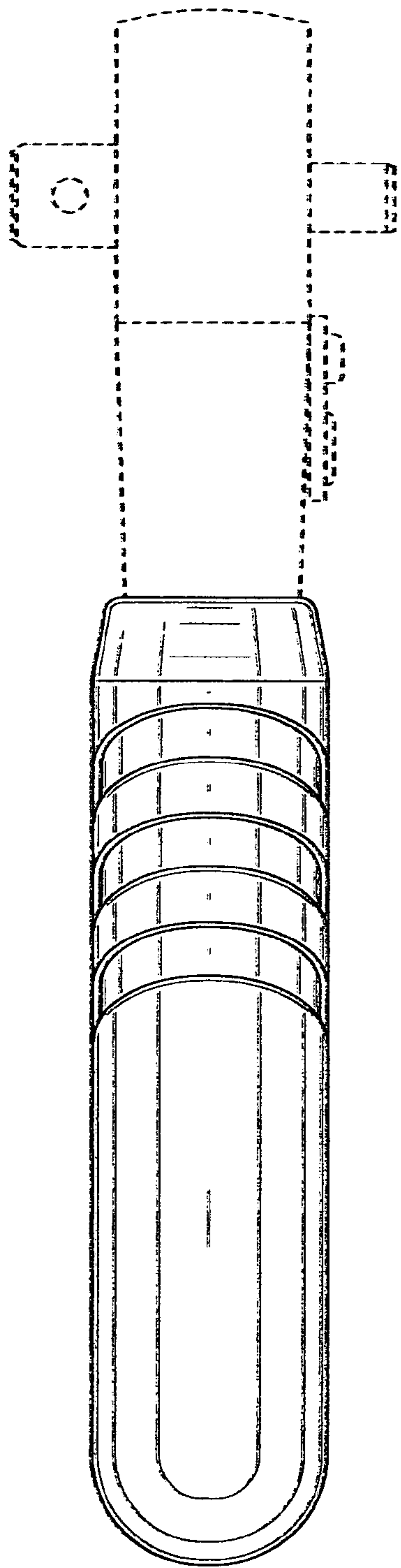


FIG. 4

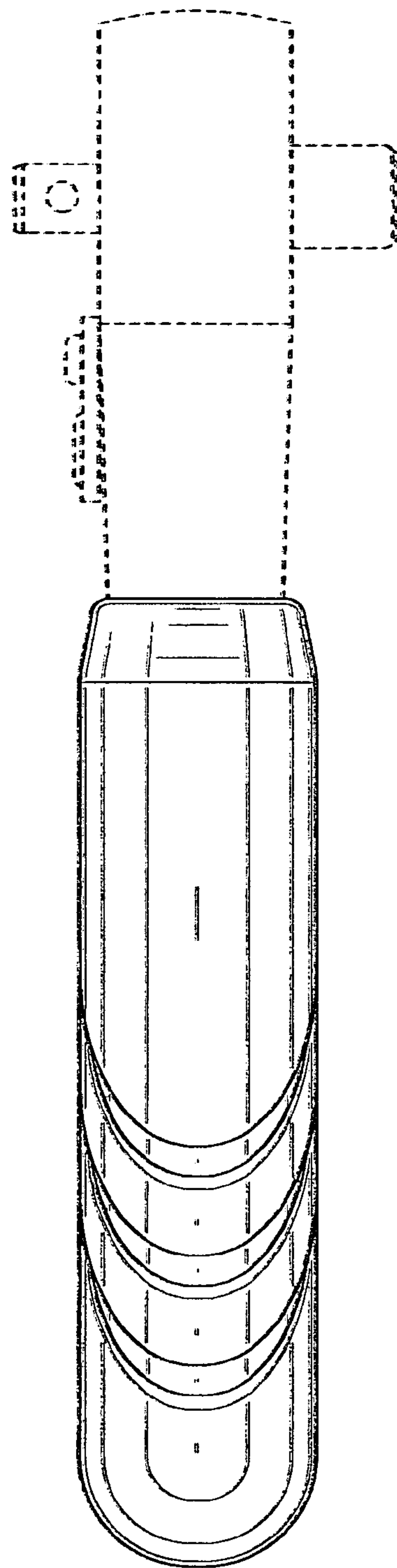


FIG. 5



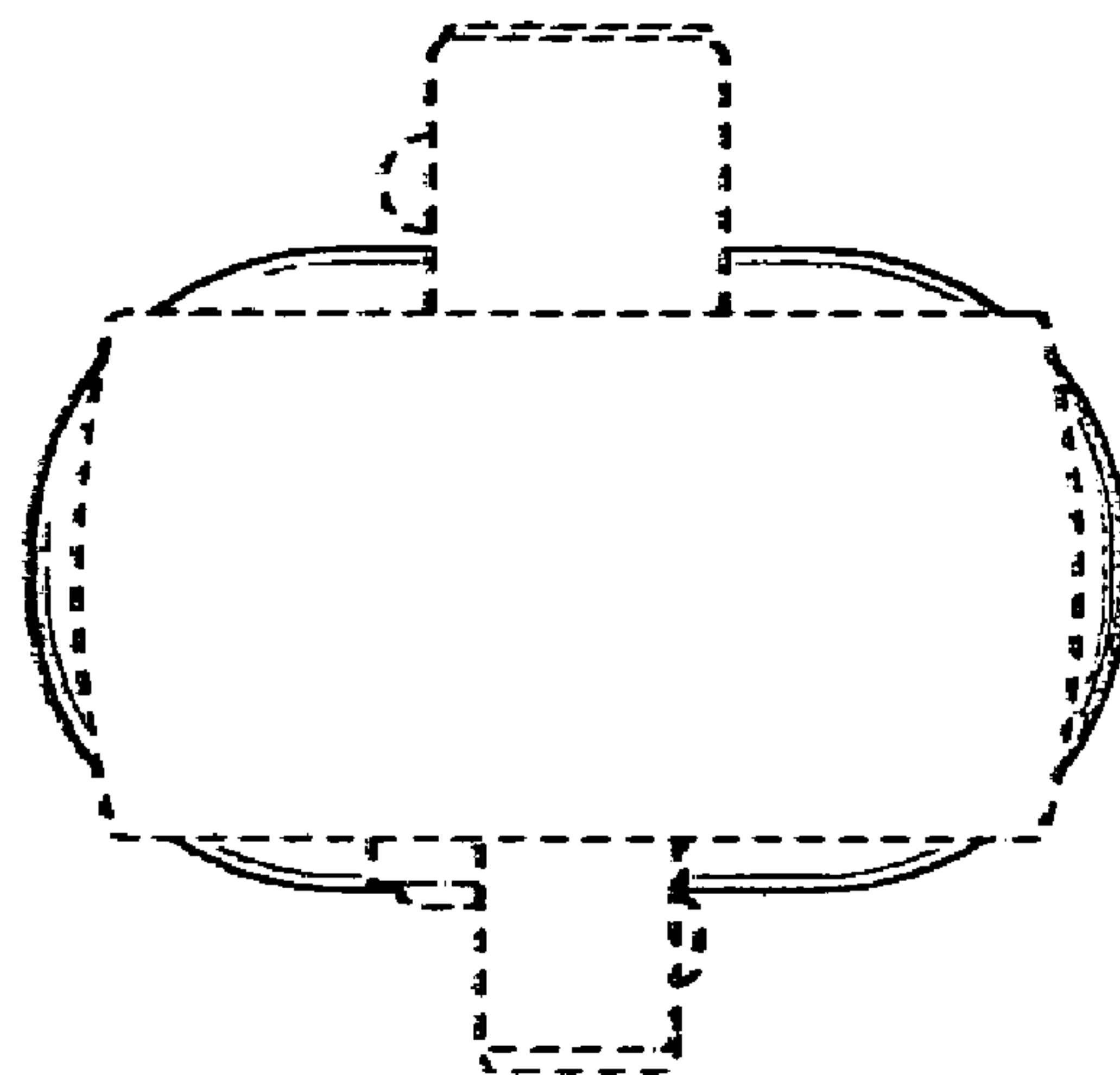


FIG. 6

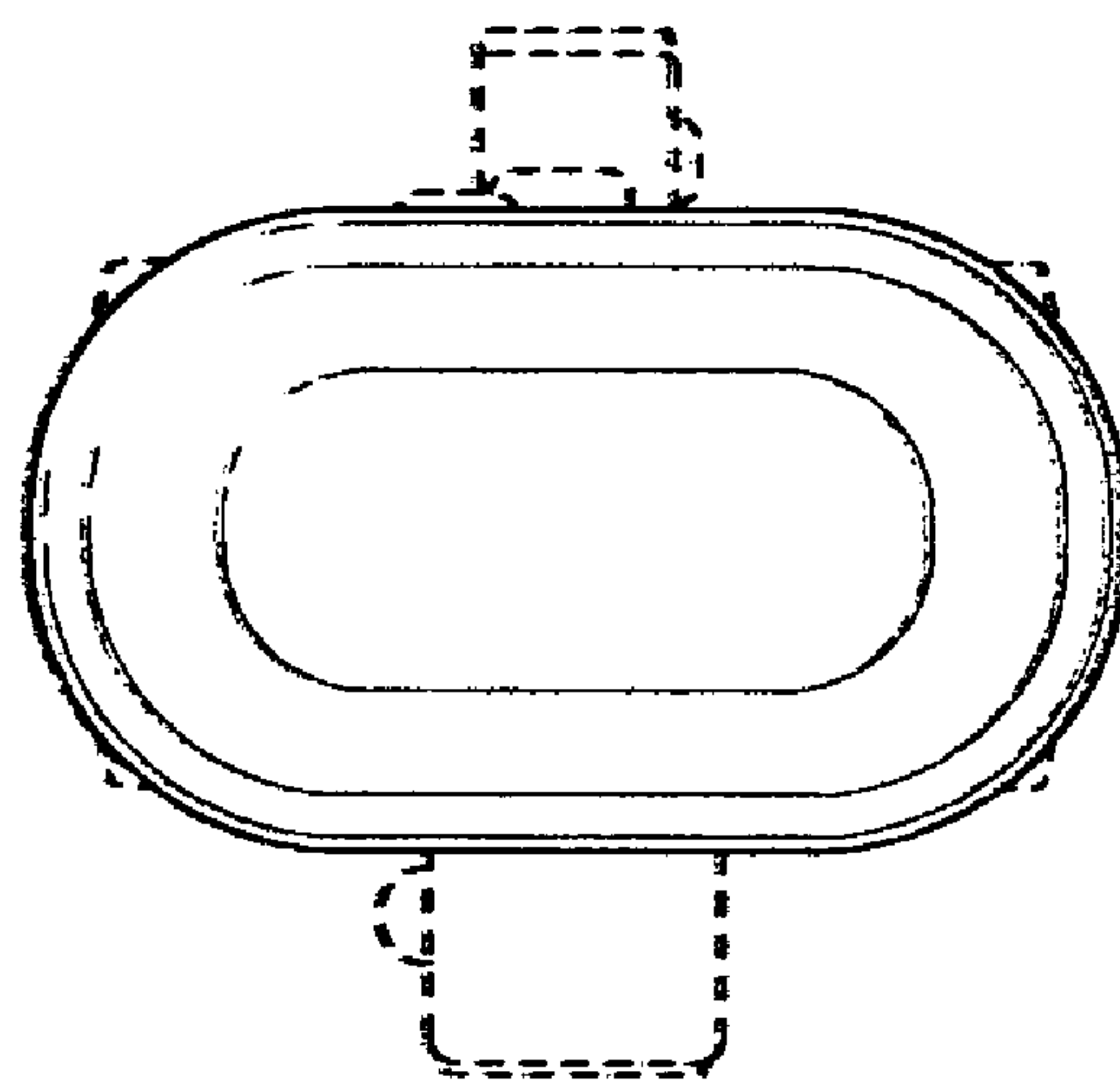


FIG. 7

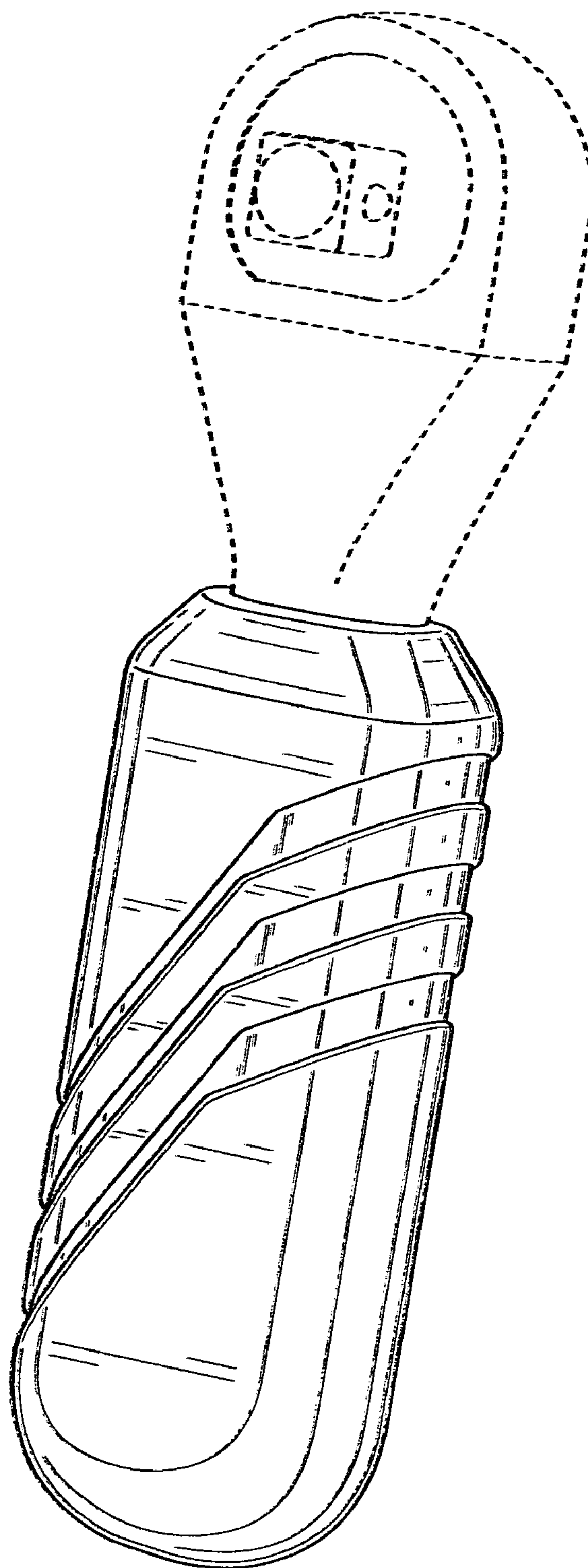


FIG. 8