



US00D651054S

(12) **United States Design Patent**
Alex

(10) **Patent No.:** **US D651,054 S**

(45) **Date of Patent:** **** Dec. 27, 2011**

(54) **GARDEN TILLER**

(75) Inventor: **Peter G. Alex**, Antigonish Co. (CA)

(73) Assignee: **Starboard Innovations Inc.**, Truro,
Nova Scotia (CA)

(**) Term: **14 Years**

(21) Appl. No.: **29/371,399**

(22) Filed: **Feb. 8, 2011**

(51) **LOC (9) Cl.** **08-01**

(52) **U.S. Cl.** **D8/8**

(58) **Field of Classification Search** D8/1, 7-9;
172/42, 15; D15/11

See application file for complete search history.

(56) **References Cited**

U.S. PATENT DOCUMENTS

4,049,059	A *	9/1977	Weibling	172/15
D251,768	S *	5/1979	Dellinger	D8/7
D264,675	S *	6/1982	Inaga et al.	D8/20
D268,000	S *	2/1983	Dellinger	D8/8
5,048,616	A *	9/1991	Hoff	172/42
D349,021	S *	7/1994	Gutknecht	D8/1
D357,482	S *	4/1995	Forbush	D15/17

D367,593	S *	3/1996	De Larue	D8/1
D405,327	S *	2/1999	Fortier	D8/1
6,092,608	A *	7/2000	Leger	172/15
D437,326	S *	2/2001	Koberlein et al.	D15/11
D510,687	S *	10/2005	Taber	D8/1
7,237,620	B2 *	7/2007	Abenroth et al.	172/42
7,584,804	B2 *	9/2009	Fukuzumi et al.	172/42

* cited by examiner

Primary Examiner — Holly H. Baynham

Assistant Examiner — Sheryl Lane

(74) *Attorney, Agent, or Firm* — George A. Seaby

(57) **CLAIM**

The ornamental design for garden tiller, as shown and described.

DESCRIPTION

FIG. 1 is a perspective view of the garden tiller viewed from above;

FIG. 2 is a top elevational view thereof;

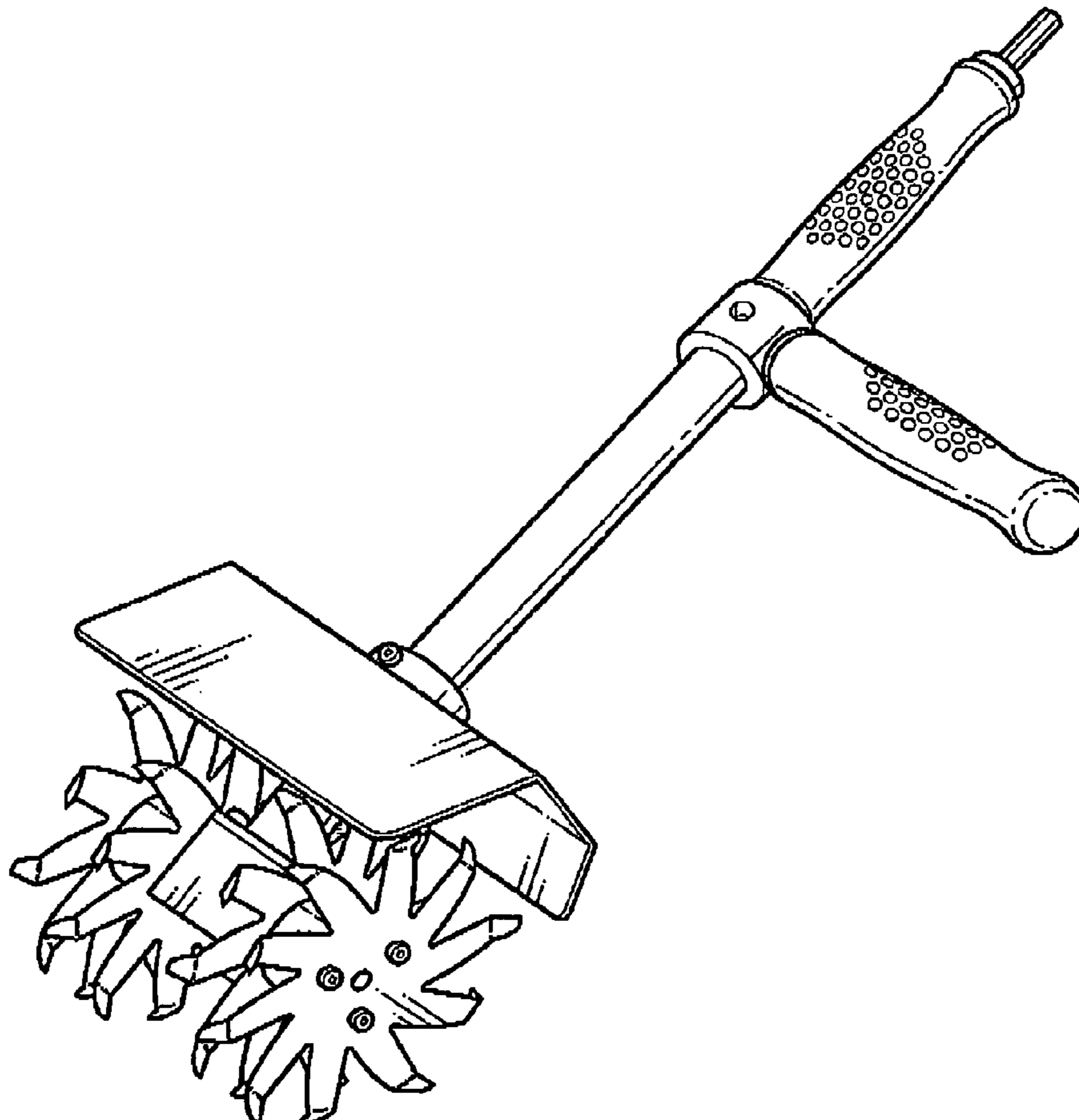
FIG. 3 is a bottom elevational view thereof;

FIG. 4 is a front elevational view thereof;

FIG. 5 is a rear elevational view thereof; and,

FIG. 6 is a side elevational view of the garden tiller, the other side being the mirror image thereof.

1 Claim, 3 Drawing Sheets



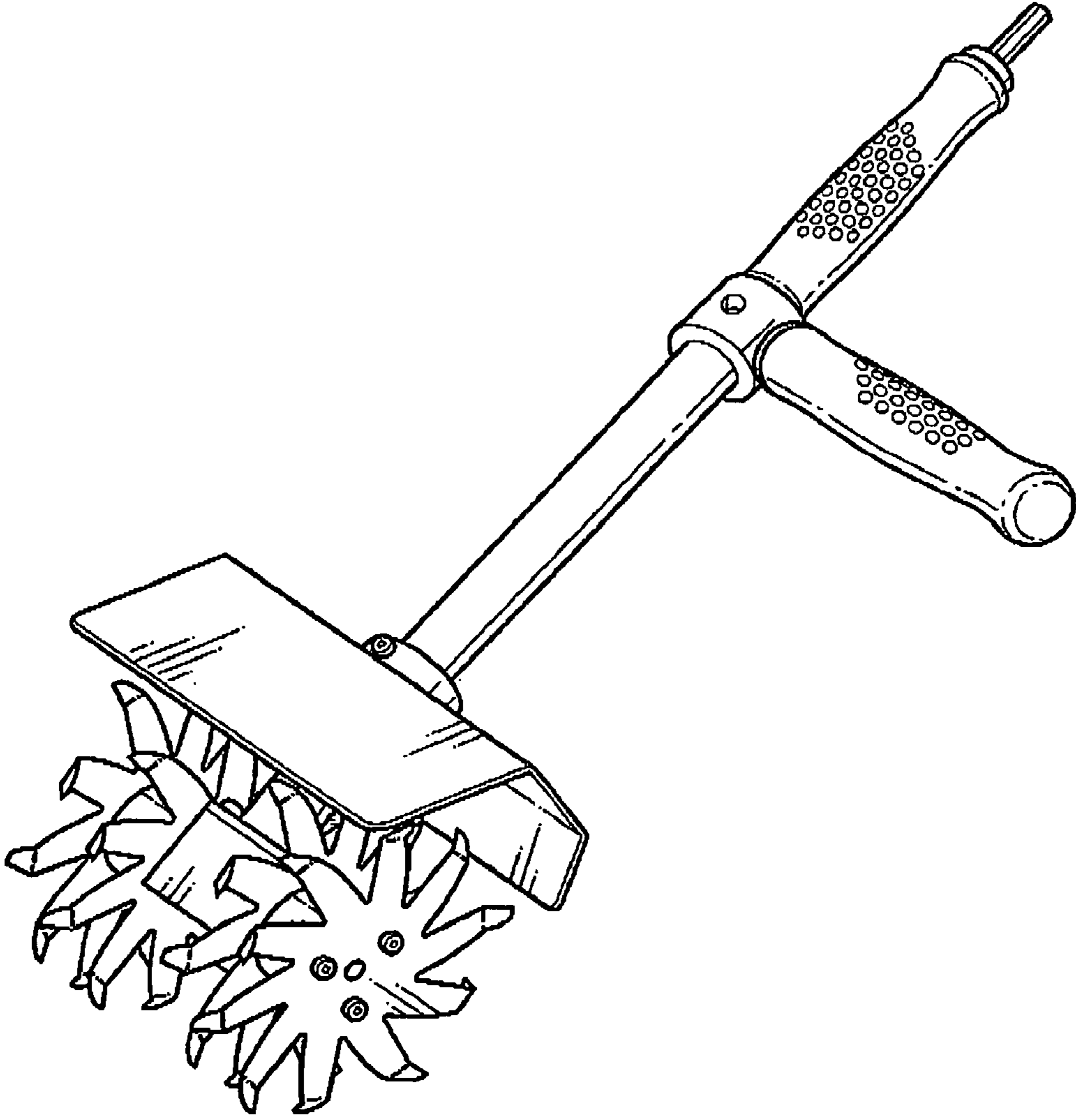


FIG. 1

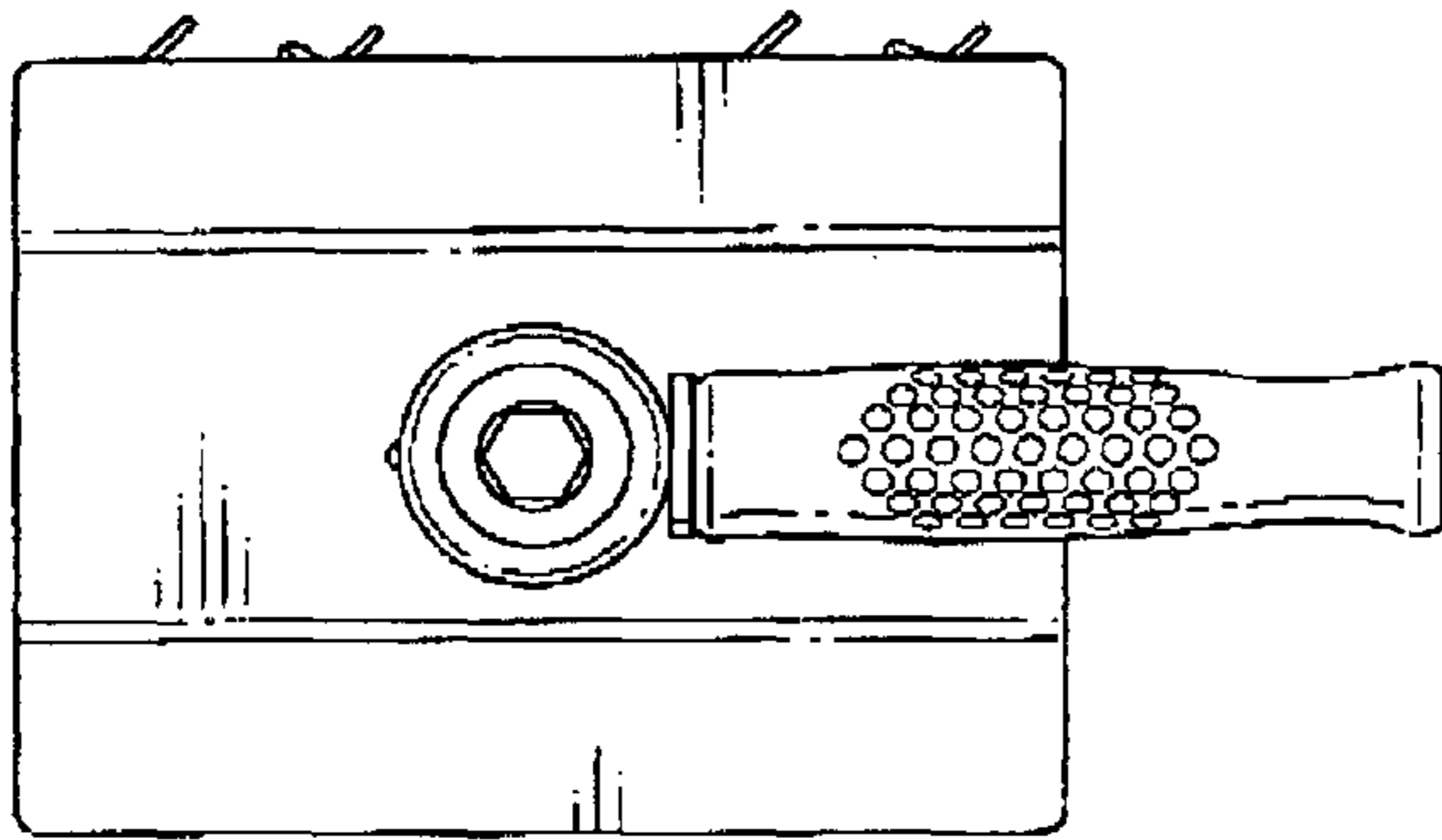


FIG. 2

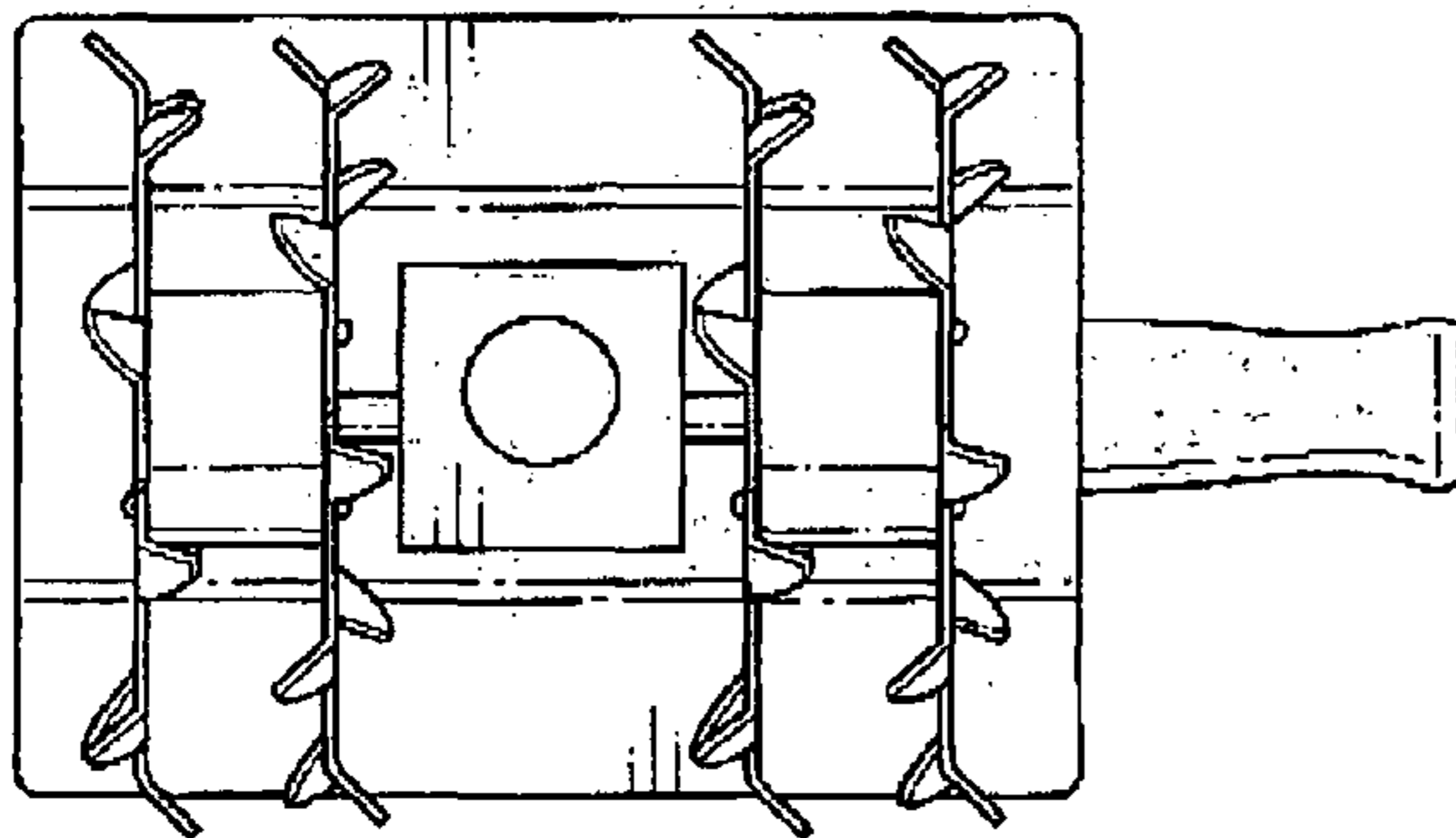


FIG. 3

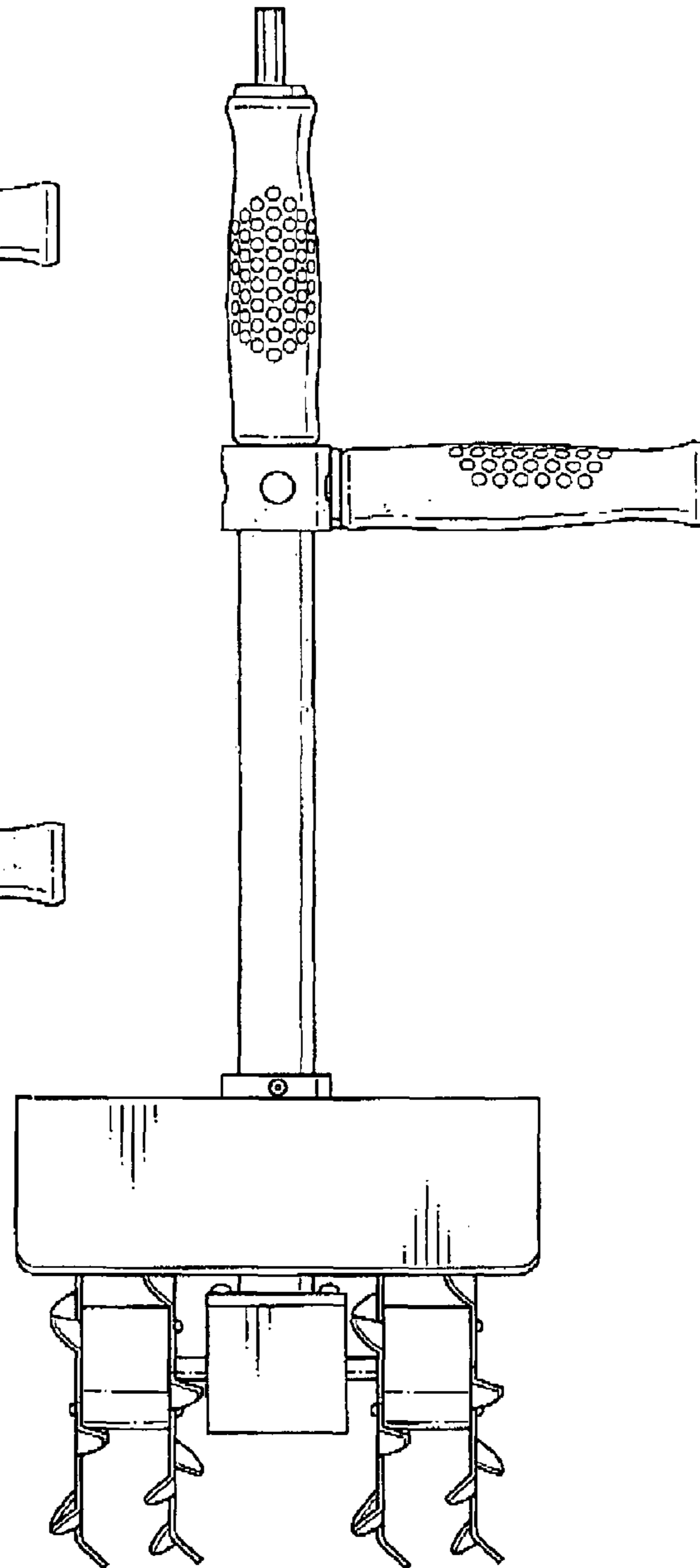


FIG. 4

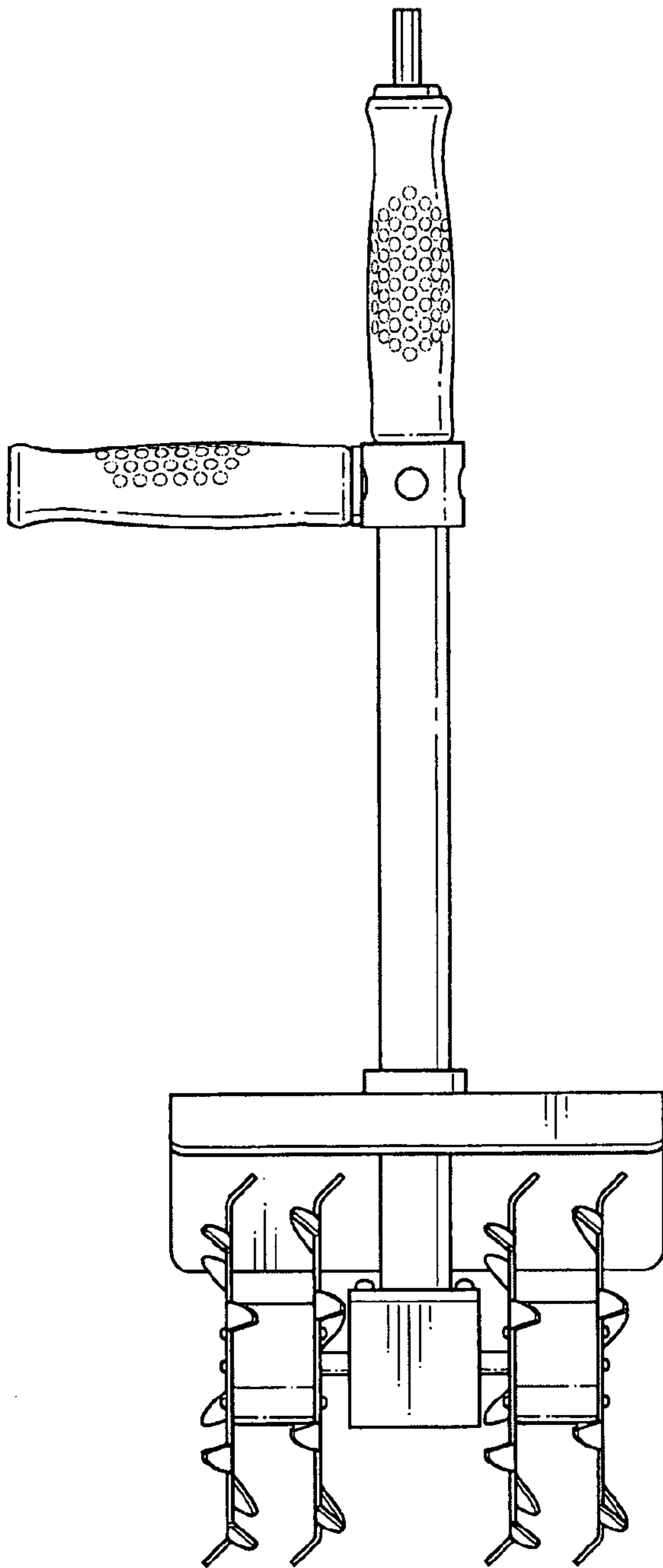


FIG. 5

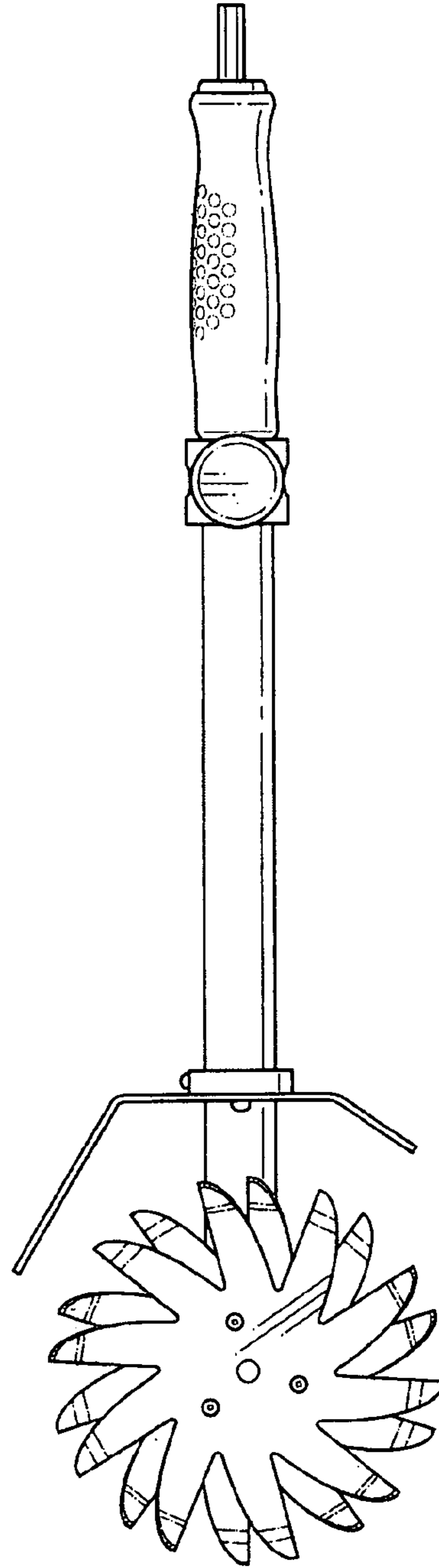


FIG. 6