



US00D651052S

(12) **United States Design Patent**
Cloutier

(10) **Patent No.:** **US D651,052 S**

(45) **Date of Patent:** **** Dec. 27, 2011**

(54) **COOKING PRESS**

(75) Inventor: **Andre Dean Cloutier**, Blain, WA (US)

(73) Assignee: **Magellan Group Ltd**, Blaine, WA (US)

(**) Term: **14 Years**

(21) Appl. No.: **29/376,727**

(22) Filed: **Oct. 11, 2010**

(51) **LOC (9) Cl.** **07-04**

(52) **U.S. Cl.** **D7/682**

(58) **Field of Classification Search** D7/323,
D7/354, 356, 359, 361–363, 365, 368, 669,
D7/682, 393, 402, 409–412; D8/300, 303,
D8/307; 99/324, 339, 349, 422, 445, 446,
99/447, 448; 126/226, 227, 230, 402; 220/573.1,
220/912; 426/512, 513; 452/141, 146, 198
See application file for complete search history.

(56) **References Cited**

U.S. PATENT DOCUMENTS

D8,650 S *	9/1875	Warren	D7/409
181,823 A *	9/1876	Cornwall	99/425
215,711 A *	5/1879	Adams	99/425
389,602 A *	9/1888	Sankey	99/445
873,589 A *	12/1907	Parey	99/450
D48,170 S *	11/1915	Colley	D7/682
1,202,496 A *	10/1916	Ericksen	452/146
1,591,291 A *	7/1926	Detwiler	99/446
1,706,516 A *	3/1929	Bennett	99/402
1,800,653 A *	4/1931	Morris	241/169.2
D117,967 S *	12/1939	Beltram	D7/682
2,241,317 A *	5/1941	Pringle	99/349
D154,967 S *	8/1949	Watkins	D7/359

D166,780 S *	5/1952	Watkins	D7/359
D188,501 S *	8/1960	Wood	D7/359
D197,663 S *	3/1964	O'Reilly	D7/359
D227,028 S *	5/1973	Behm	D7/359
4,217,817 A	8/1980	Meamber		
D279,071 S *	6/1985	Christea	D7/359
4,635,538 A *	1/1987	Polster	99/349
4,702,159 A *	10/1987	Polster	99/349
D380,645 S *	7/1997	Perlini	D7/359
D434,265 S *	11/2000	Tatlow	D7/354
D525,089 S *	7/2006	Muskat et al.	D7/669
D525,090 S *	7/2006	Muskat et al.	D7/669
D525,490 S *	7/2006	Muskat et al.	D7/669
D525,834 S *	8/2006	Muskat et al.	D7/669
7,586,067 B2 *	9/2009	Hill	99/349
7,703,387 B2 *	4/2010	Muskat et al.	99/349

* cited by examiner

Primary Examiner — Elizabeth J Oswecki

(74) *Attorney, Agent, or Firm* — Dwayne E. Rogge; Hughes Law Firm, PLLC

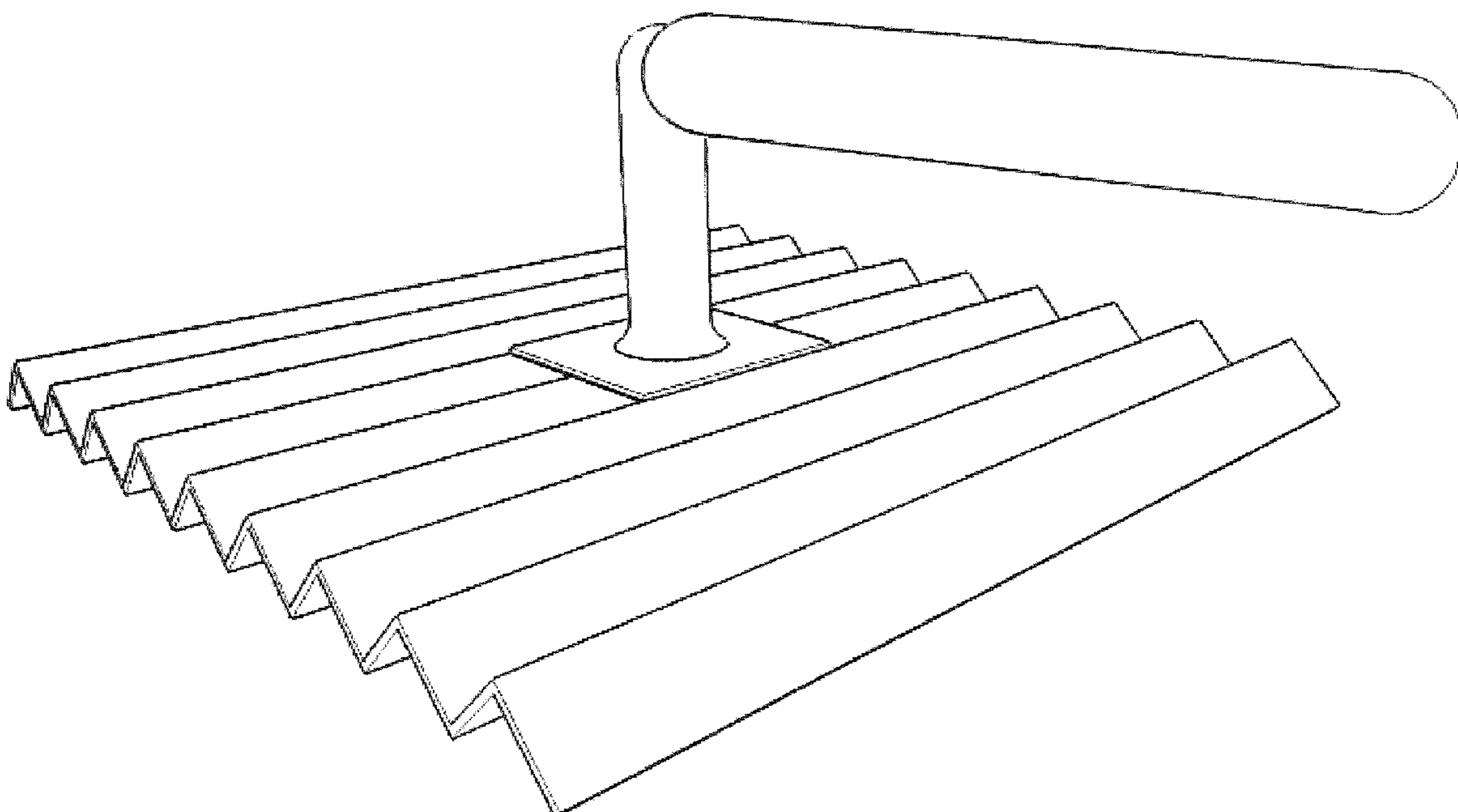
(57) **CLAIM**

The ornamental design for a cooking press, as shown and described.

DESCRIPTION

FIG. 1 is an isometric view of a cooking press showing my new design.
FIG. 2 is a top view thereof.
FIG. 3 is a rear view thereof.
FIG. 4 is a right side view thereof, with the left side view being a mirror image thereof;
FIG. 5 is a front view thereof; and,
FIG. 6 is a bottom view thereof.

1 Claim, 6 Drawing Sheets



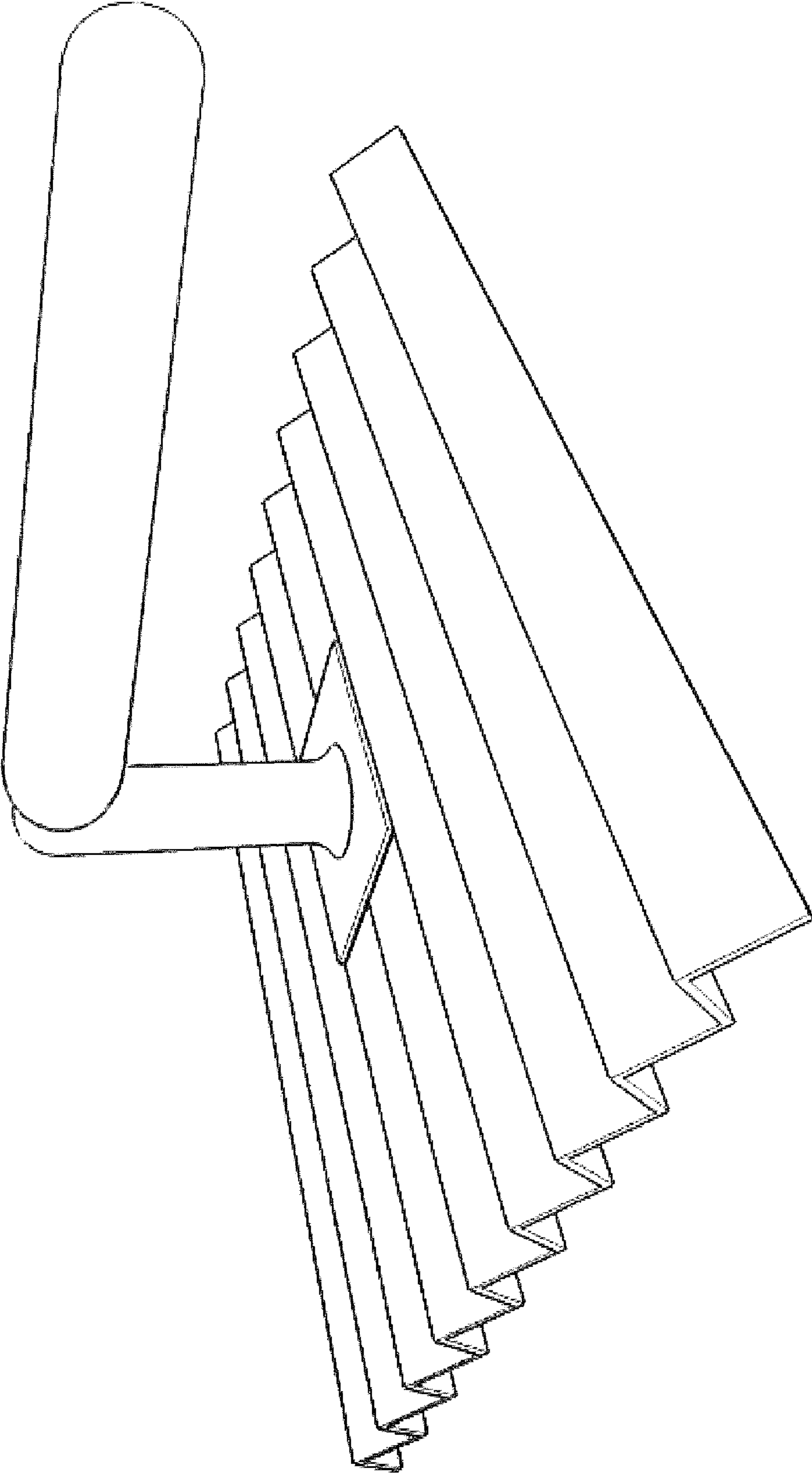


Fig. 1

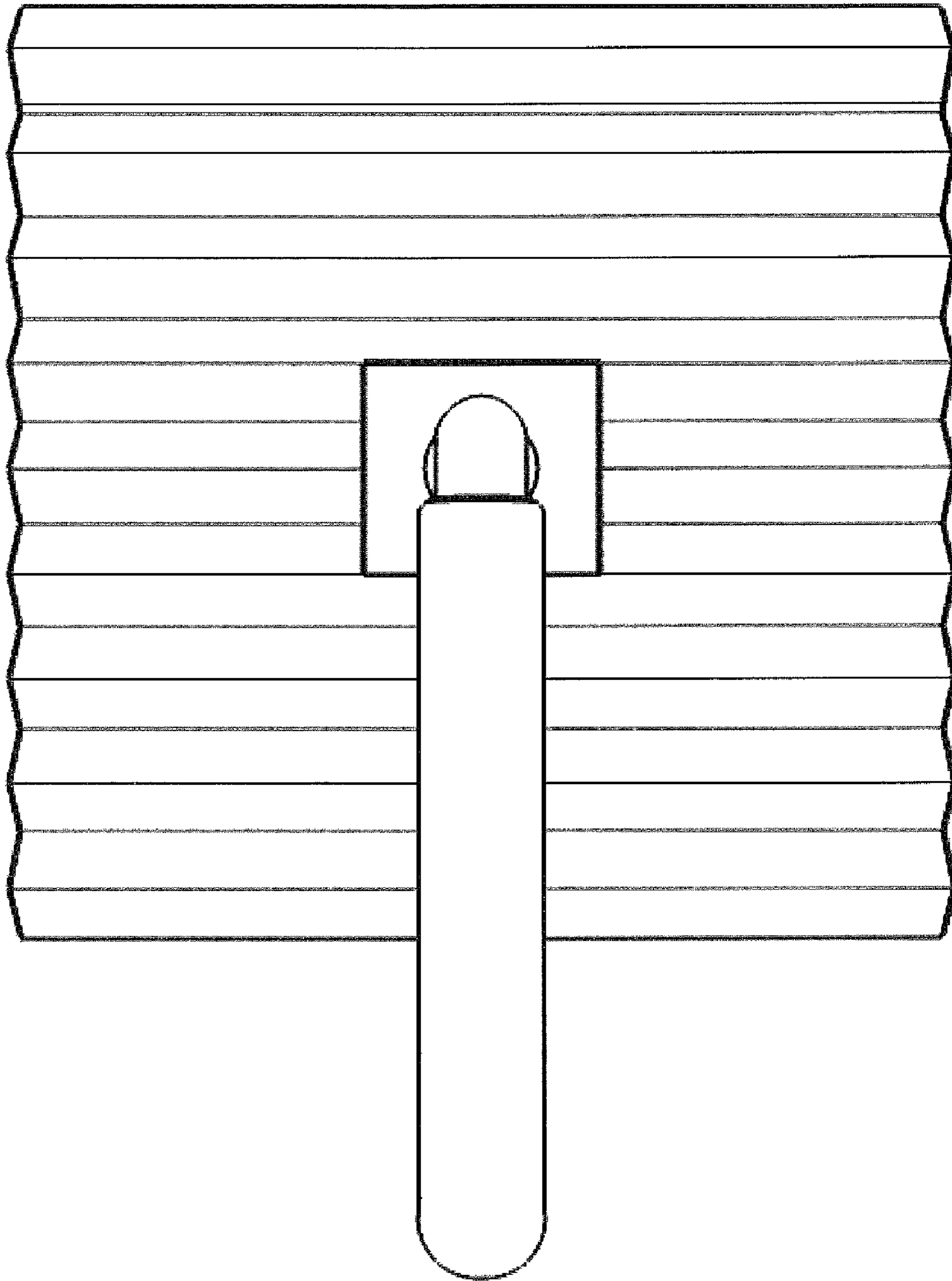


Fig. 2

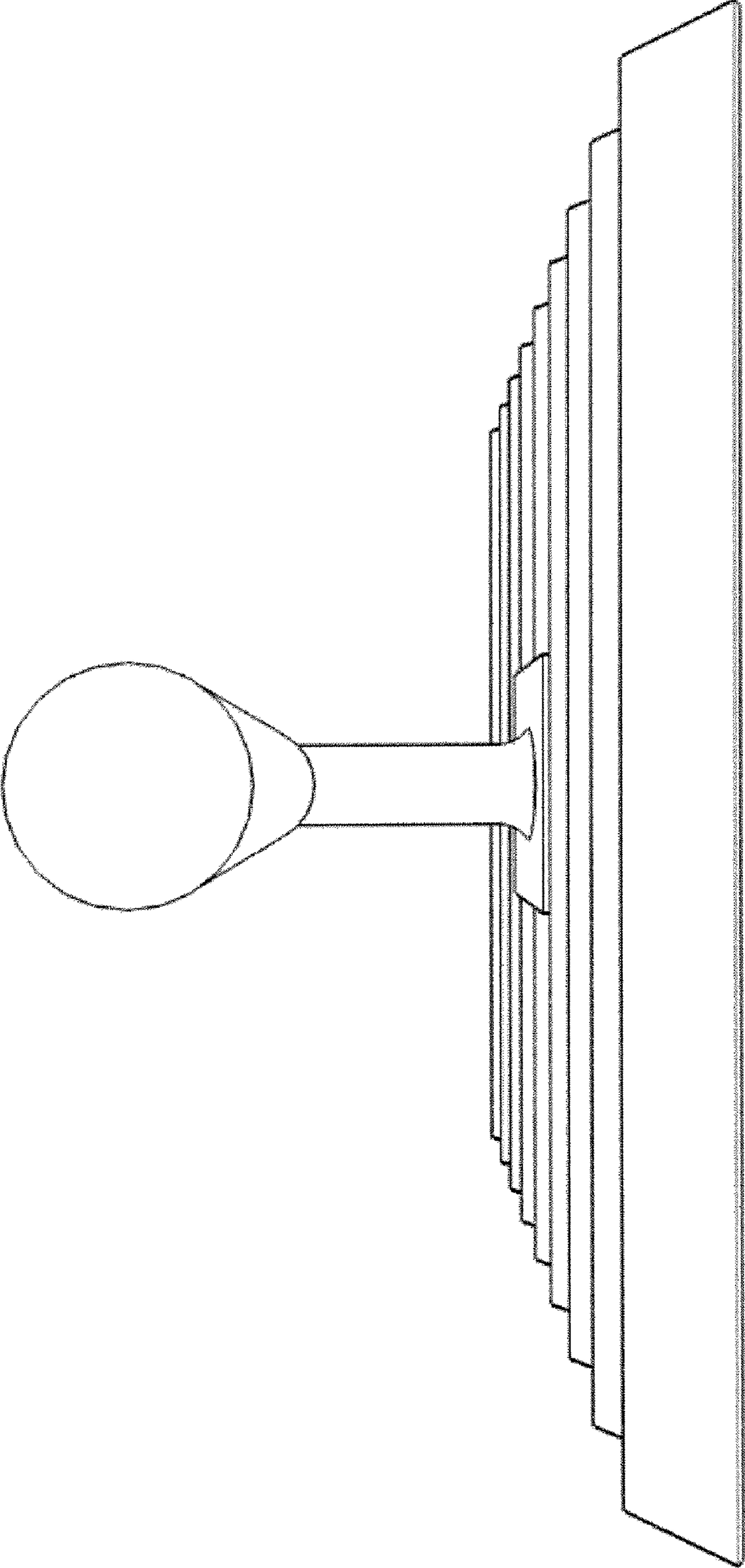


Fig. 3

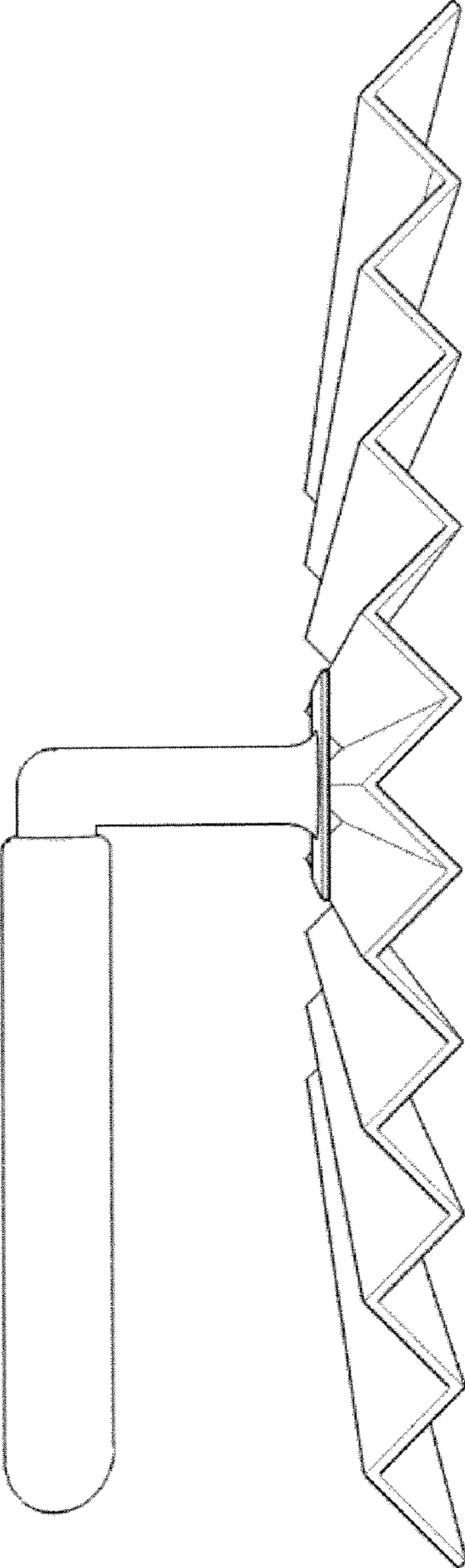


Fig. 4

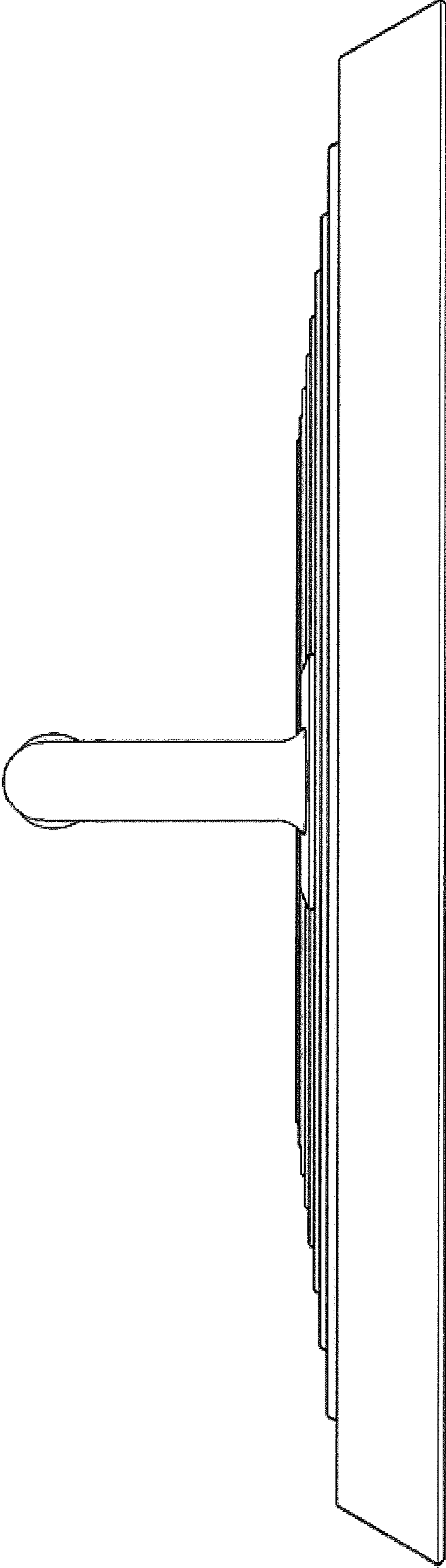


Fig. 5

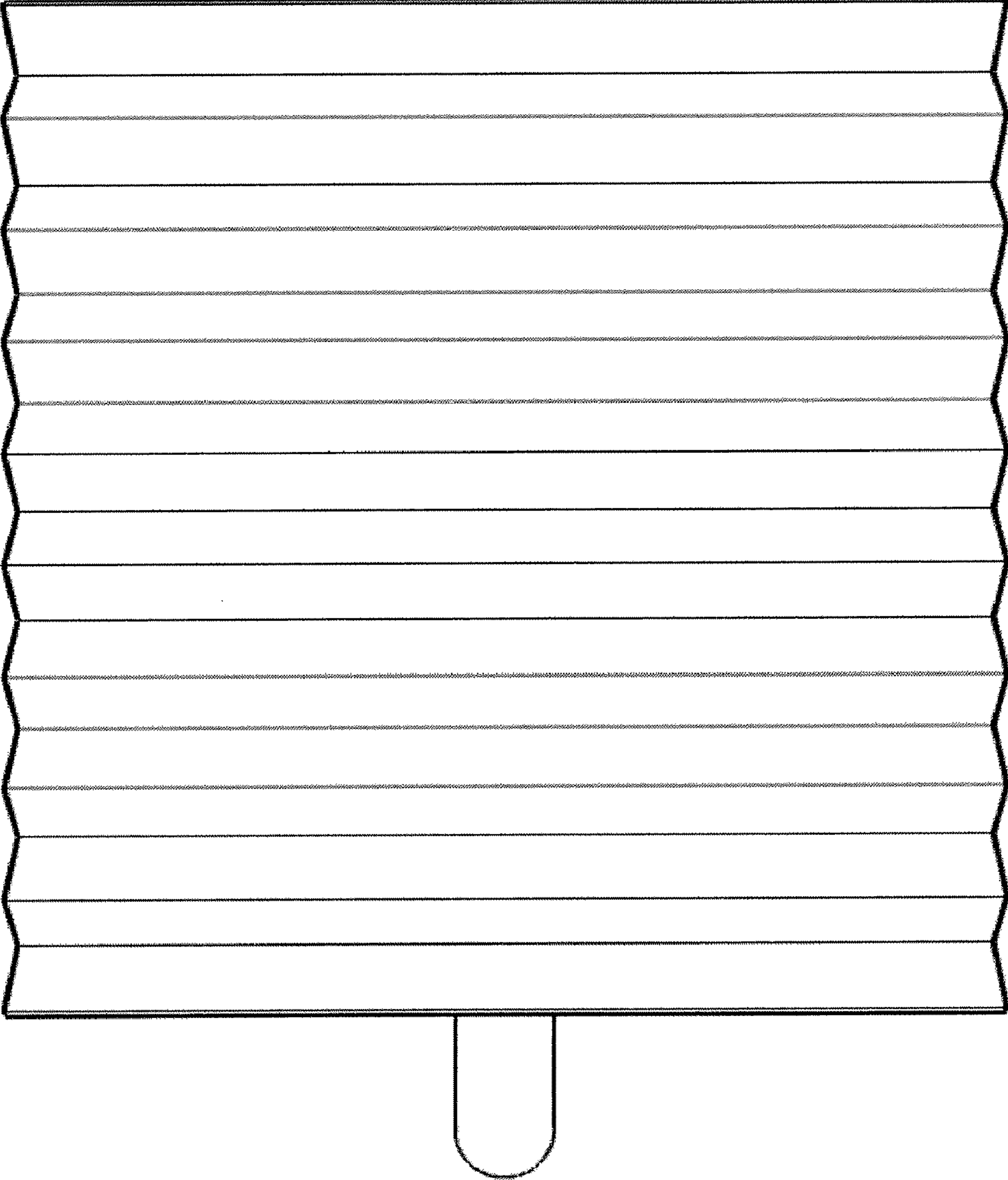


Fig. 6