



US00D651050S

(12) **United States Design Patent**
Goshi

(10) **Patent No.:** **US D651,050 S**

(45) **Date of Patent:** **** Dec. 27, 2011**

(54) **HEAT-INSULATING CONTAINER**

(75) **Inventor:** **Bumpei Goshi, Osaka (JP)**

(73) **Assignee:** **Zojirushi Corporation (JP)**

(**) **Term:** **14 Years**

(21) **Appl. No.:** **29/358,978**

(22) **Filed:** **Apr. 2, 2010**

(30) **Foreign Application Priority Data**

Oct. 7, 2009 (JP) 2009-23539

(51) **LOC (9) Cl.** **07-01**

(52) **U.S. Cl.** **D7/608; D7/629**

(58) **Field of Classification Search** D7/605-608,
D7/629; 220/592.16, 592.17, 592.2, 592.21,
220/592.22, 592.28, 495.02, 495.03, 200,
220/345.1, 62.11, 62.12, 660, 669, 675; D9/424,
D9/425, 428, 429, 742, 745, 746

See application file for complete search history.

(56) **References Cited**

U.S. PATENT DOCUMENTS

3,982,651	A	*	9/1976	Braun et al.	220/4.21
D246,029	S	*	10/1977	Lynn et al.	D9/780
D363,642	S	*	10/1995	Goto et al.	D7/511
D405,609	S	*	2/1999	Fu et al.	D3/302
D467,811	S	*	12/2002	Slater et al.	D9/529
D474,651	S	*	5/2003	Ward	D7/615
D539,655	S	*	4/2007	Kipperman et al.	D9/529
D540,626	S	*	4/2007	Janky	D7/608
D557,994	S	*	12/2007	Wahl	D7/629
D562,144	S	*	2/2008	Lane	D9/556

D593,811	S	*	6/2009	Carreno	D7/629
D622,554	S	*	8/2010	Carreno	D7/629
D629,657	S	*	12/2010	Carreno	D7/629

FOREIGN PATENT DOCUMENTS

JP	1184590	9/2003
JP	1185045	9/2003

* cited by examiner

Primary Examiner — Terry Wallace

(74) *Attorney, Agent, or Firm* — SAIDMAN DesignLaw Group

(57) **CLAIM**

The ornamental design for a heat-insulating container, as shown and described.

DESCRIPTION

FIG. 1 is a perspective view of a heat-insulating container showing my new design;
 FIG. 2 is a front view thereof, the opposite rear view being mirror image thereof;
 FIG. 3 is a top plan view thereof;
 FIG. 4 is a bottom view thereof;
 FIG. 5 is a left side elevation thereof, the opposite right side elevation being mirror image thereof;
 FIG. 6 is a perspective view of a container body thereof;
 FIG. 7 is a front view of a lid body thereof;
 FIG. 8 is a top plan view of the lid body thereof;
 FIG. 9 is a bottom view of the lid body thereof;
 FIG. 10 is a front view of a lid cover thereof; and,
 FIG. 11 is a bottom view of the lid cover thereof.
 The container body, lid body and lid cover are shown separately for clarity of illustration.

1 Claim, 11 Drawing Sheets

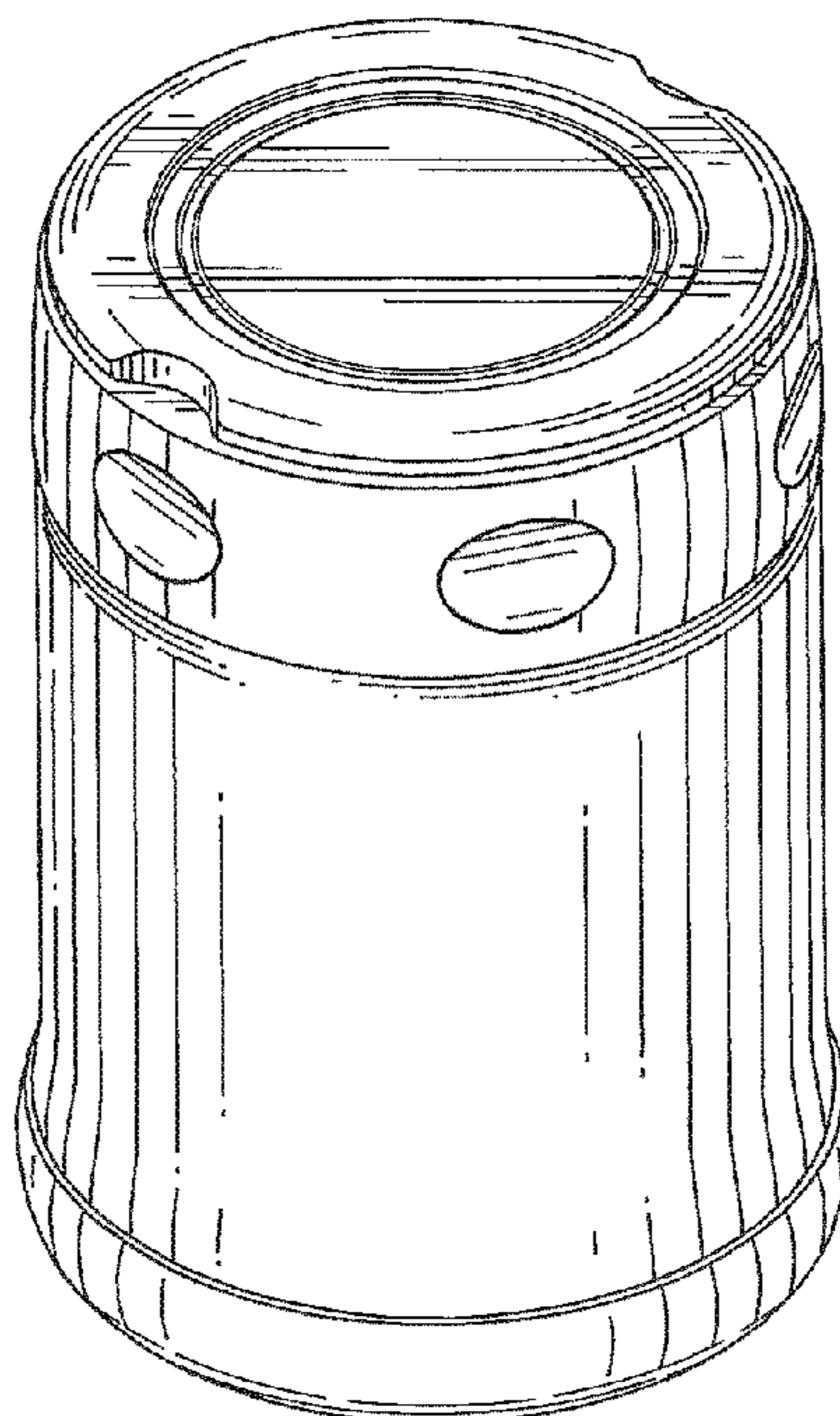


Fig. 1

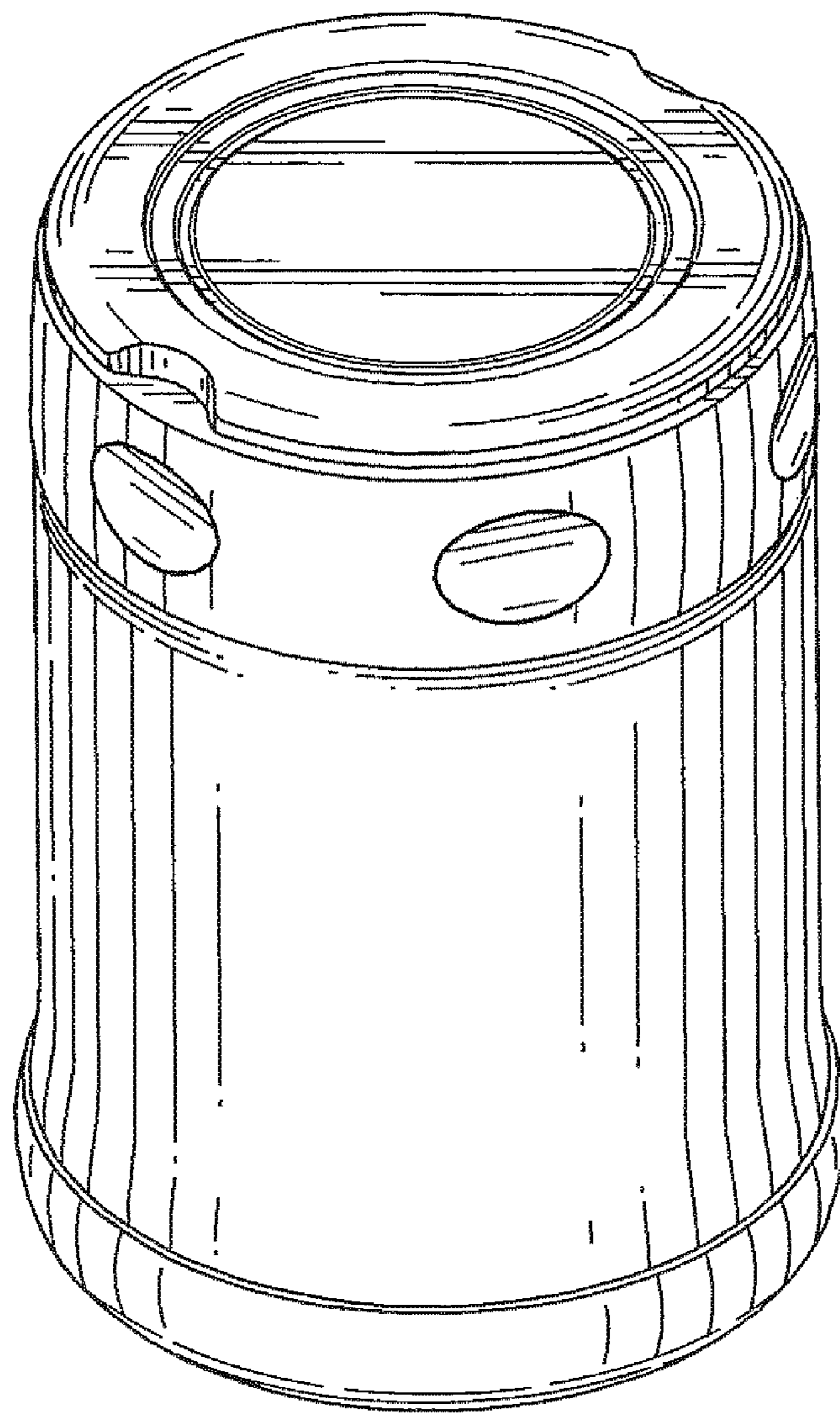


Fig. 2

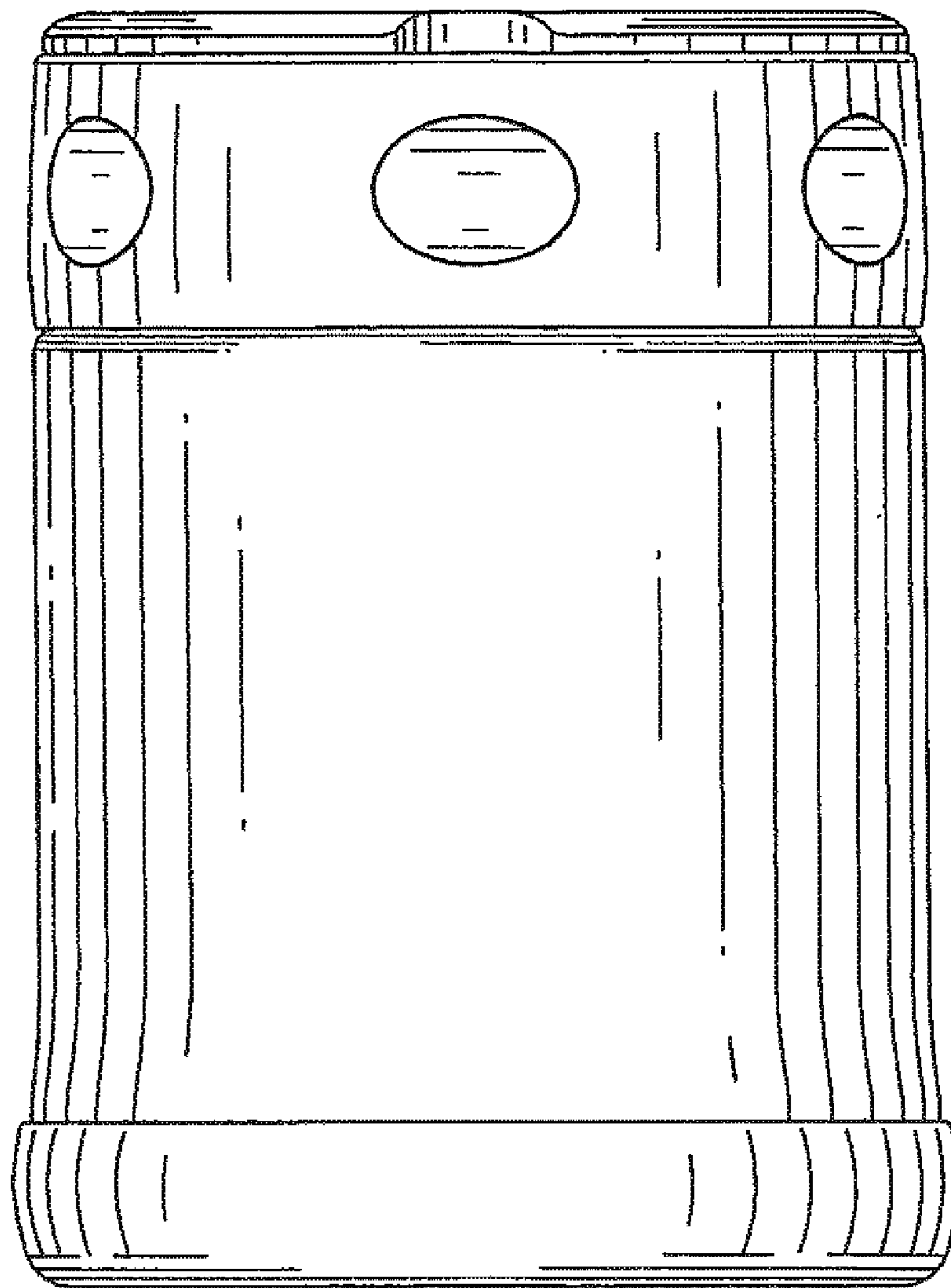


Fig. 3

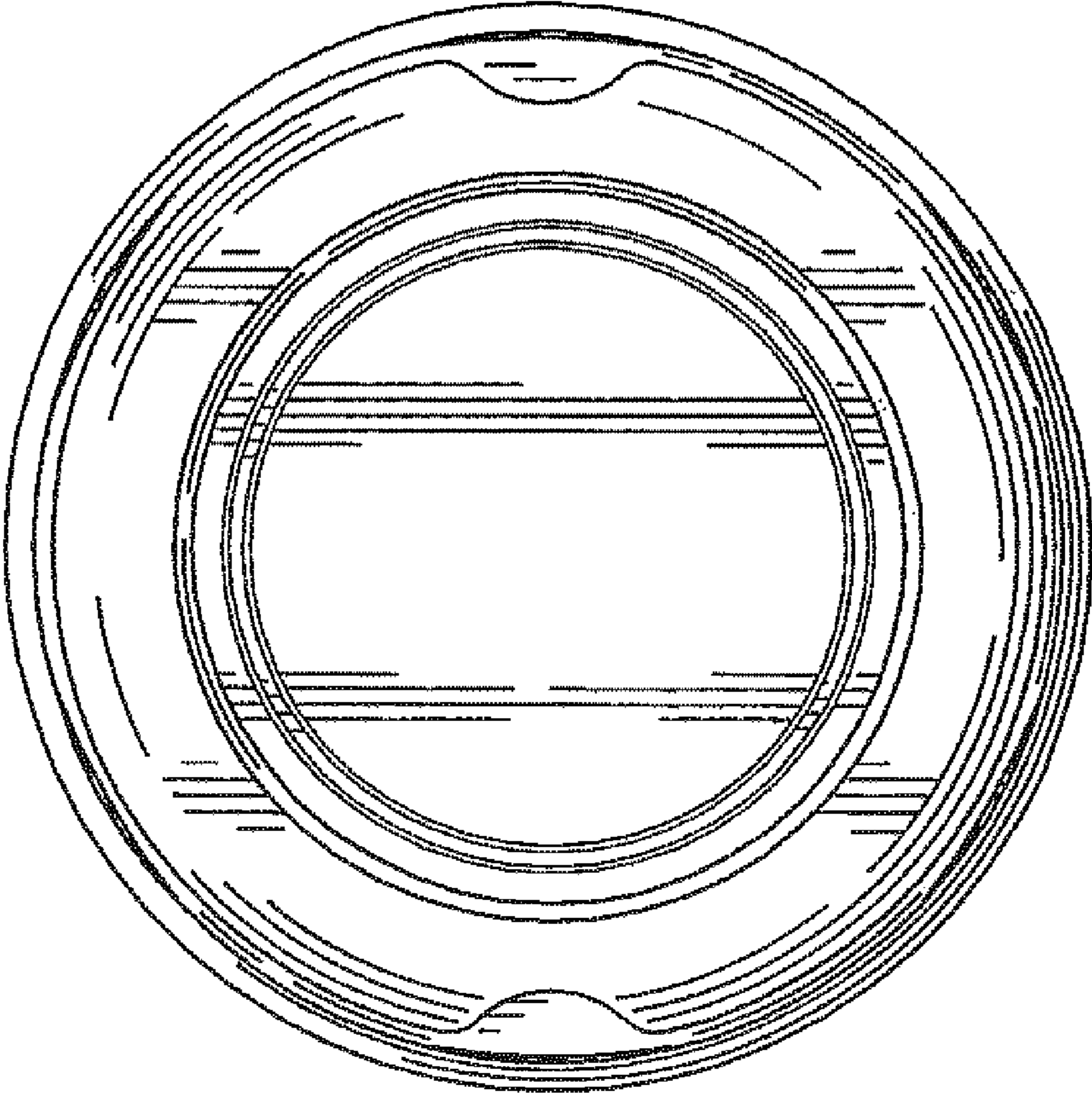


Fig. 4

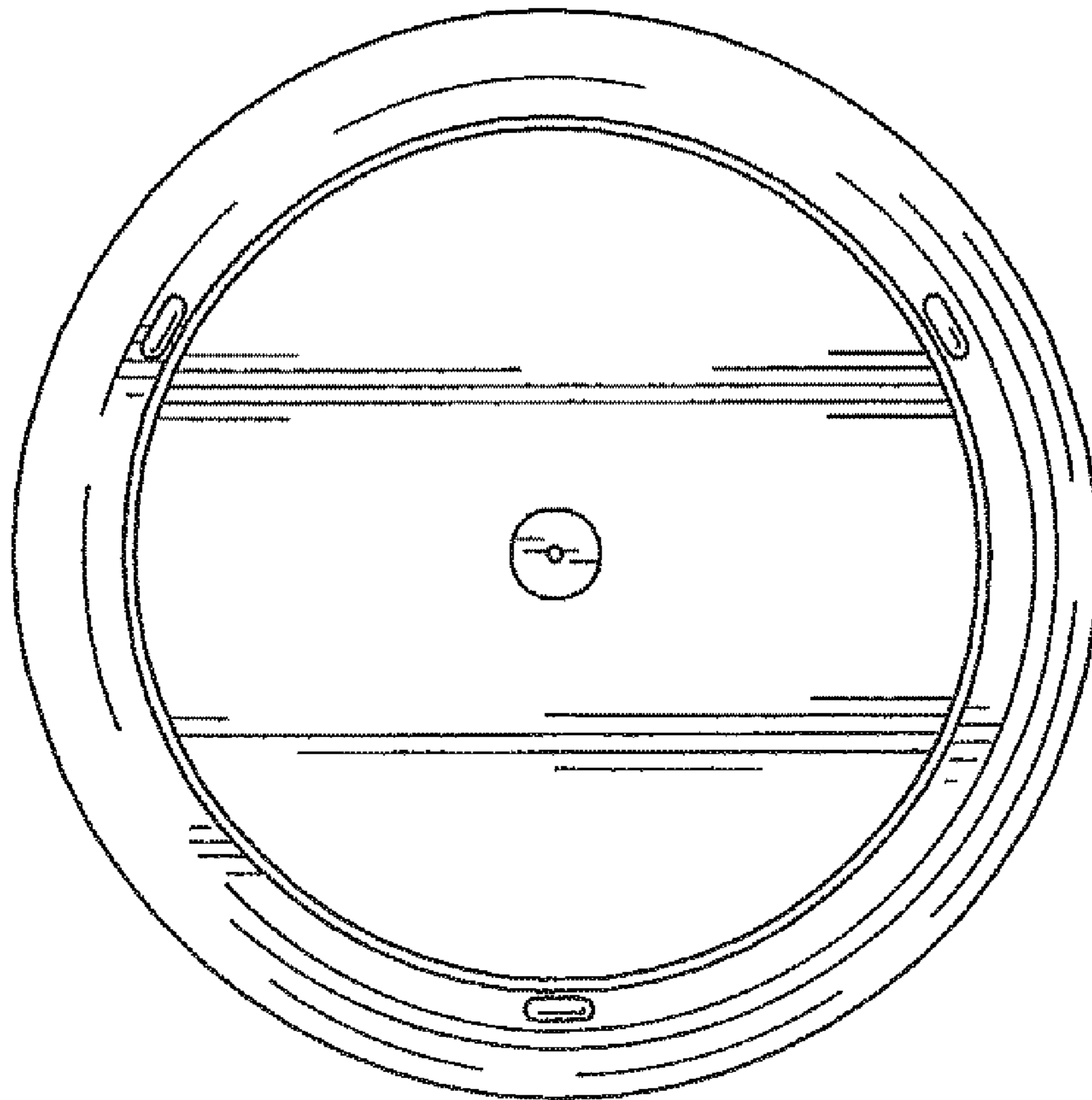


Fig. 5

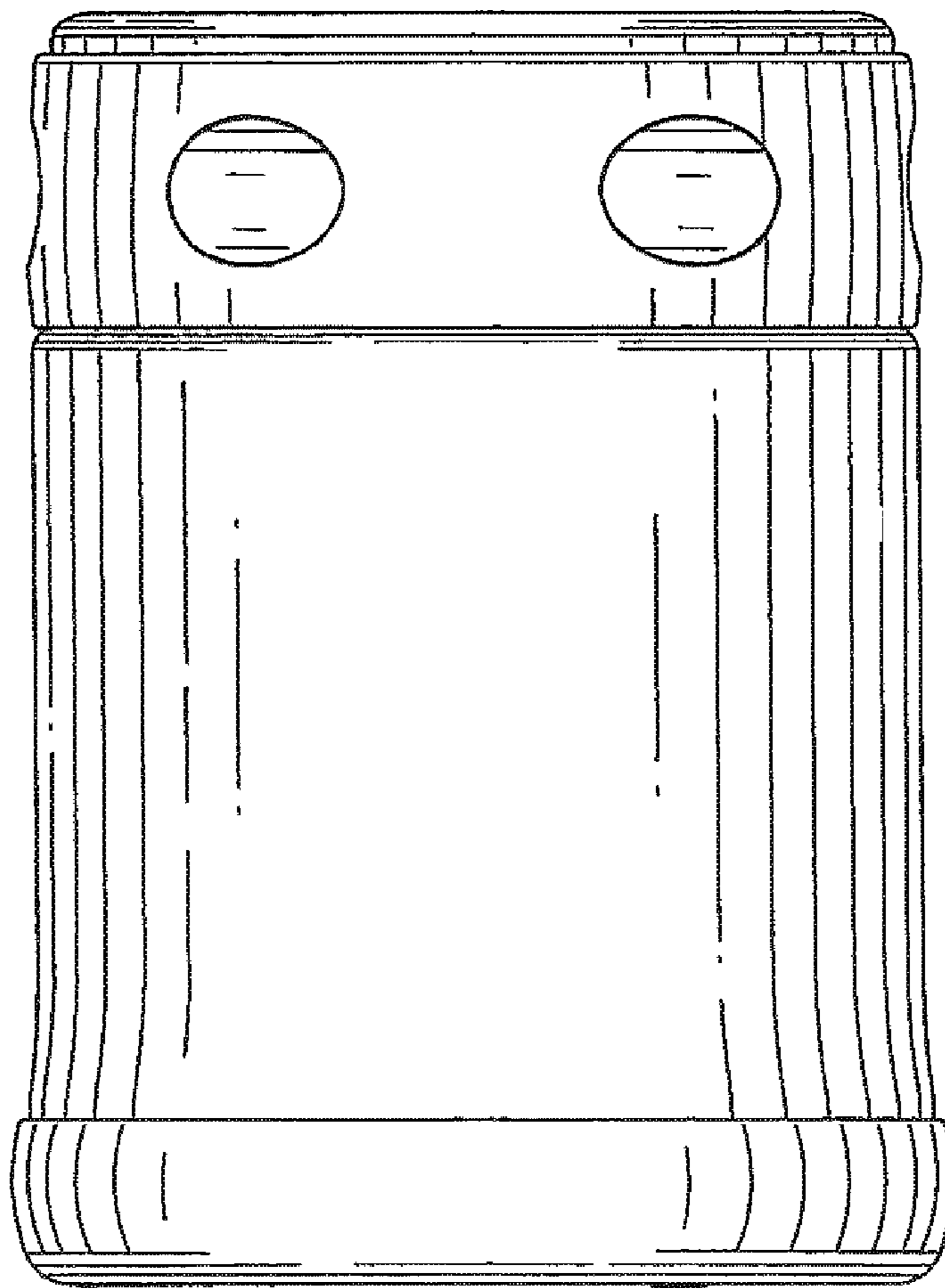


Fig. 6

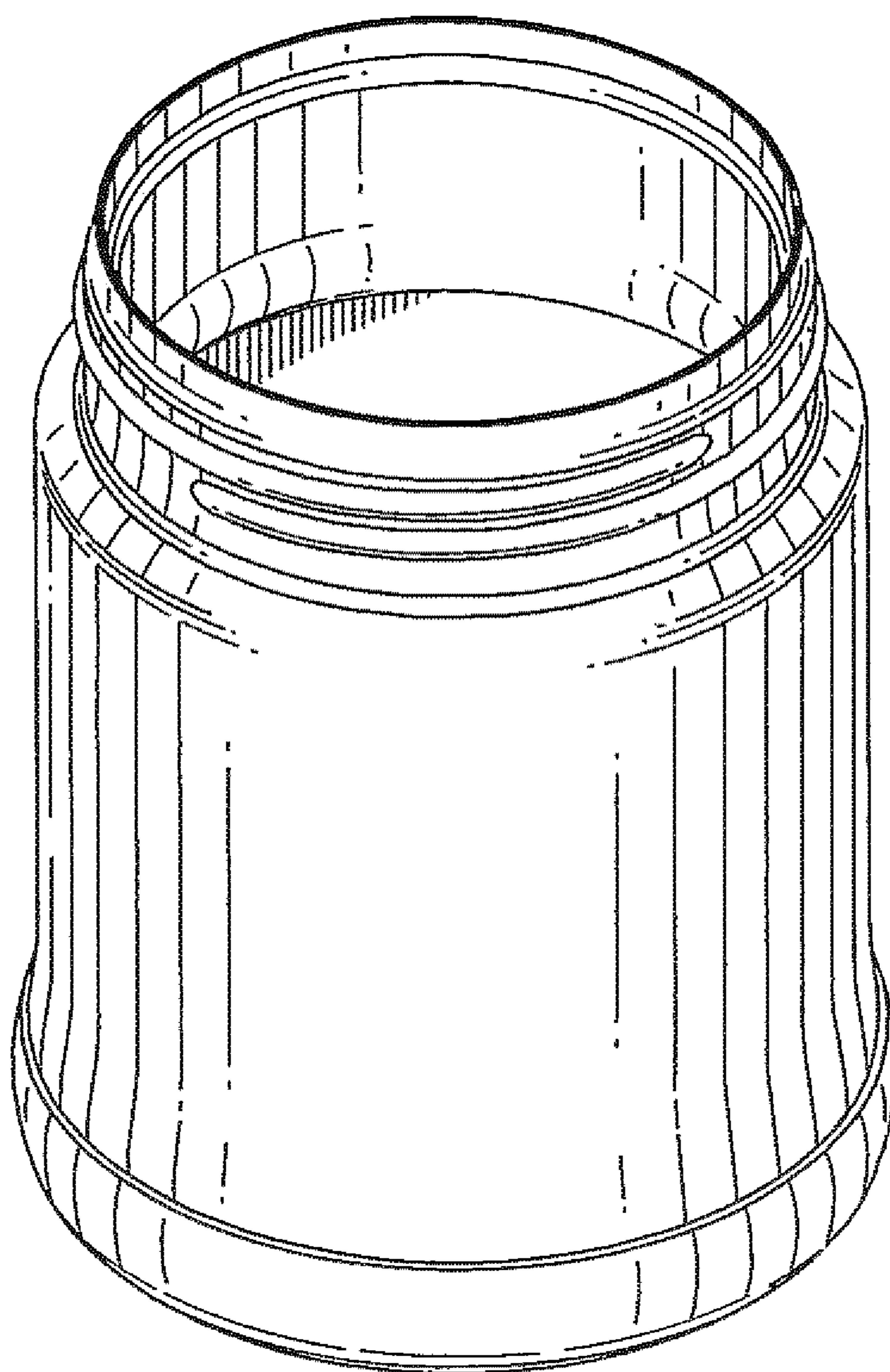


Fig. 7

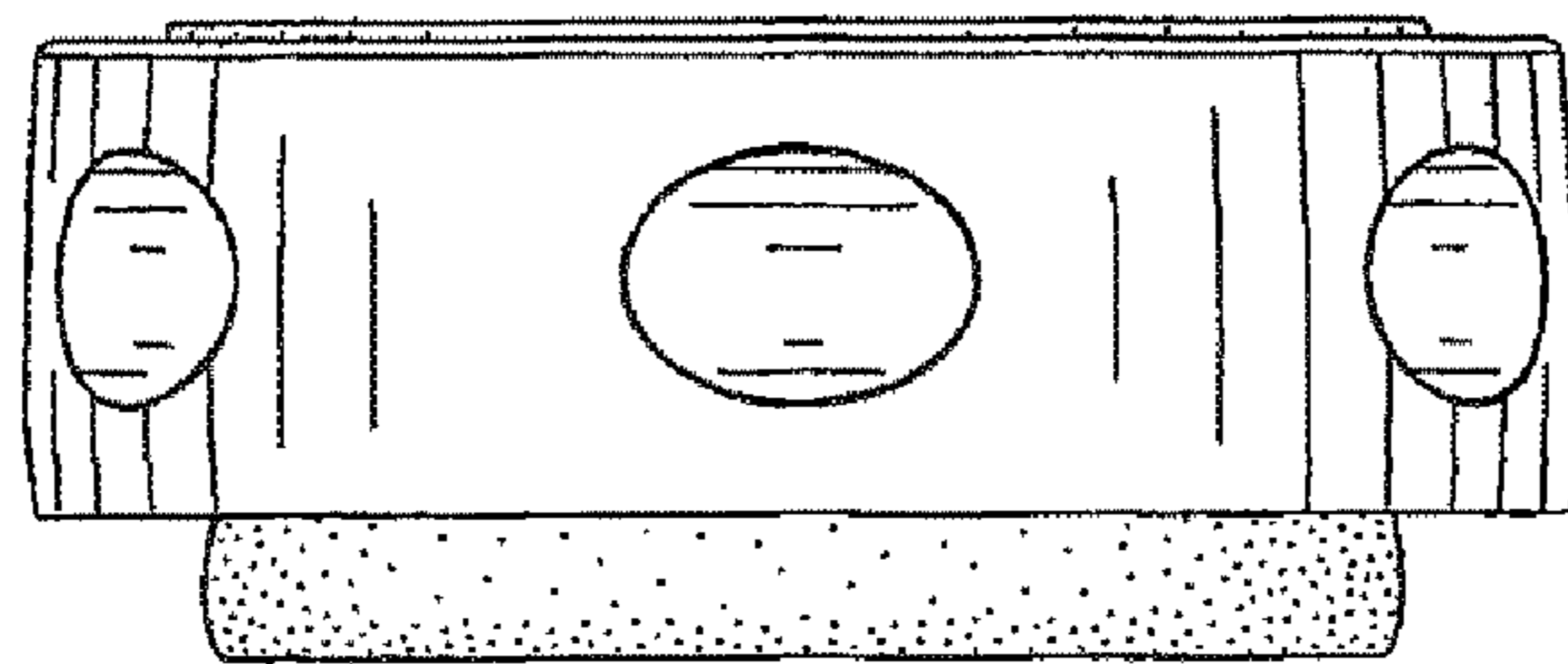


Fig. 8

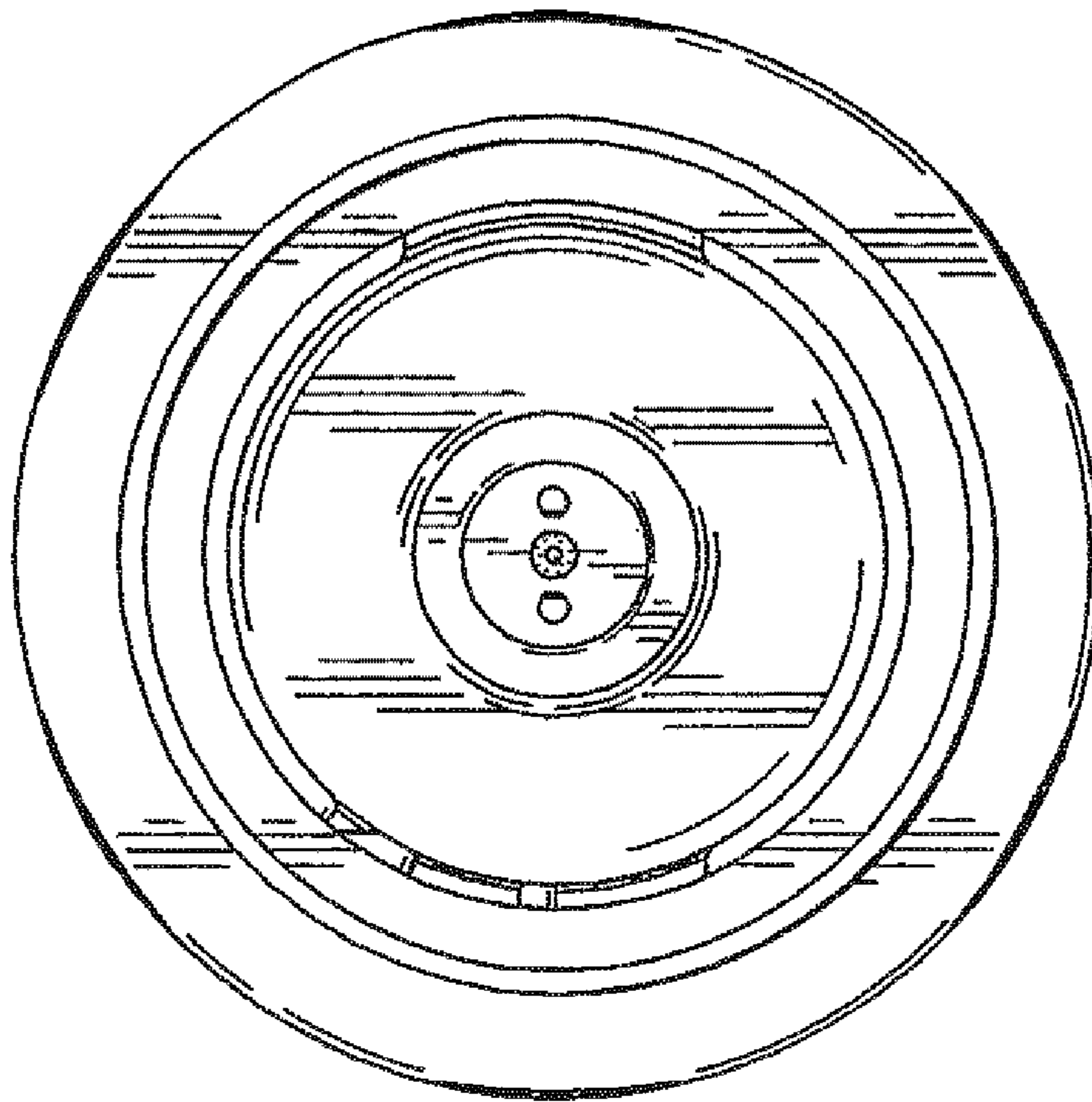


Fig. 9

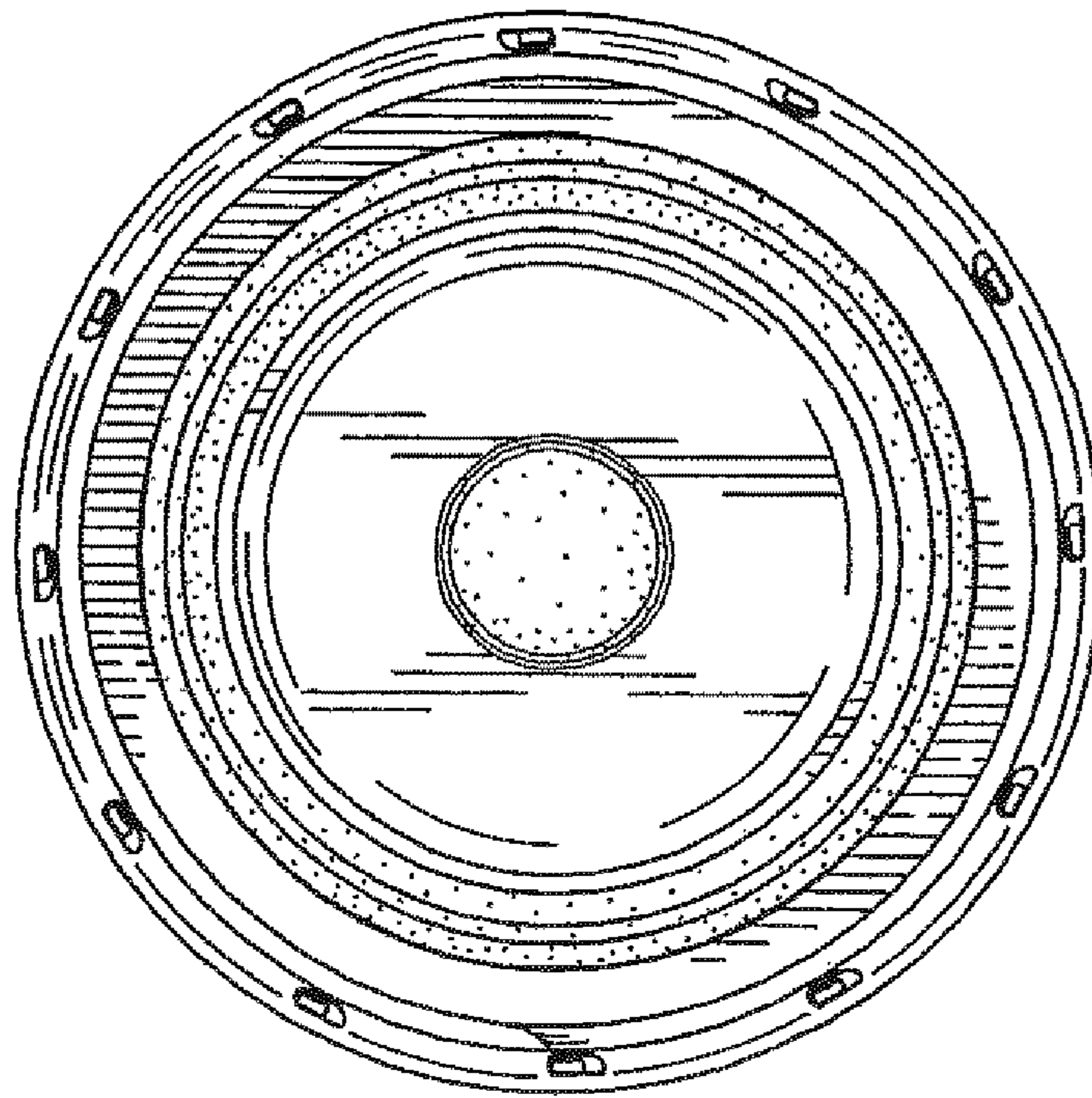


Fig. 10

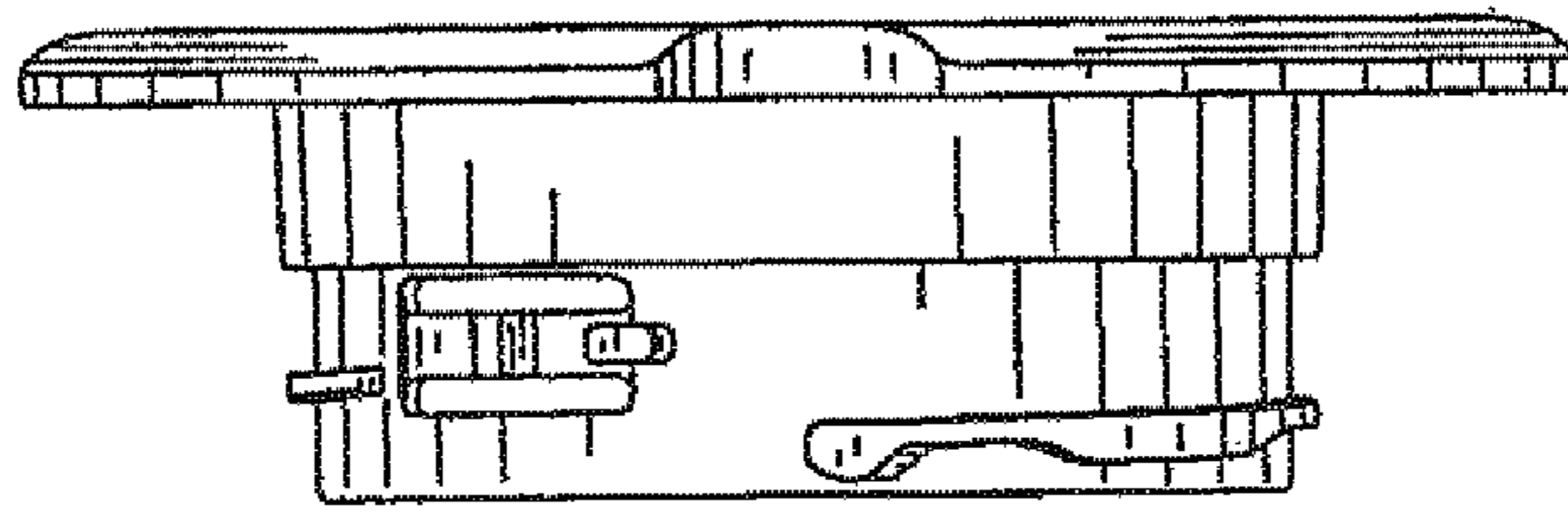


Fig. 11

