



US00D651048S

(12) **United States Design Patent**  
**Gold**

(10) **Patent No.:** **US D651,048 S**

(45) **Date of Patent:** **\*\* Dec. 27, 2011**

(54) **SERVING TRAY**

(76) Inventor: **Scott D. Gold**, Santa Cruz, CA (US)

(\*\*) Term: **14 Years**

(21) Appl. No.: **29/391,202**

(22) Filed: **May 4, 2011**

(51) **LOC (9) Cl.** ..... **07-01**

(52) **U.S. Cl.** ..... **D7/553.6**

(58) **Field of Classification Search** ..... D7/552.2,  
D7/553.1, 553.6, 553.7, 553.8, 554.2, 555,  
D7/586; 108/25; 220/500, 506; 206/521.15,  
206/561-564

See application file for complete search history.

(56) **References Cited**

**U.S. PATENT DOCUMENTS**

D293,640 S *	1/1988	Perry et al.	.....	D7/553.6
D368,409 S *	4/1996	Schwartz	.....	D7/553.6
D445,619 S *	7/2001	Achey	.....	D6/511
D529,764 S *	10/2006	Schalk et al.	.....	D7/553.6
D546,127 S *	7/2007	Vovan	.....	D7/552.2
D566,474 S *	4/2008	Ray	.....	D7/554.1
D571,623 S *	6/2008	Loving	.....	D7/707
D621,663 S *	8/2010	Cantwell	.....	D7/553.6
D624,360 S *	9/2010	Leavelle	.....	D7/501

D625,960 S *	10/2010	Lipfert et al.	.....	D7/553.8
D631,203 S *	1/2011	Hall	.....	D28/73
7,934,449 B2 *	5/2011	Anderson et al.	.....	99/426
D640,512 S *	6/2011	Gorskey et al.	.....	D7/665

\* cited by examiner

*Primary Examiner* — Elizabeth Albert

*Assistant Examiner* — Kelley Donnelly

(74) *Attorney, Agent, or Firm* — Deborah W Wenocur

(57) **CLAIM**

The ornamental design for a serving tray, as shown and described.

**DESCRIPTION**

FIG. 1 is a top perspective view of a serving tray, showing my new design.

FIG. 2 is a bottom perspective view;

FIG. 3 is a front elevational view;

FIG. 4 is a rear elevational view;

FIG. 5 is a right side view;

FIG. 6 is a left side view;

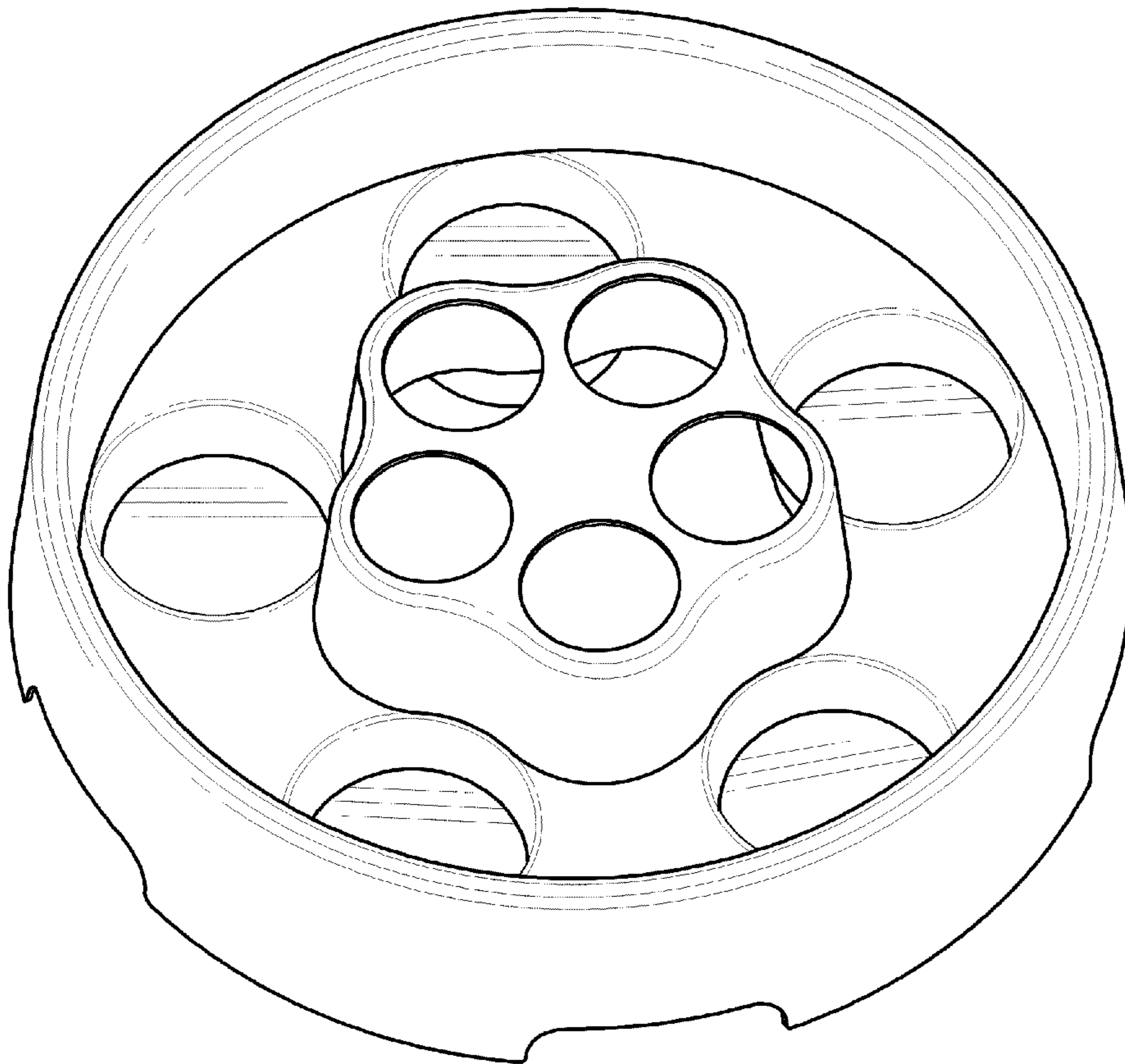
FIG. 7 is a top plan view;

FIG. 8 is a sectional view; and,

FIG. 9 is a bottom plan view.

All portions shown in broken lines are environmental and illustrative only, and form no part of the claimed design.

**1 Claim, 7 Drawing Sheets**



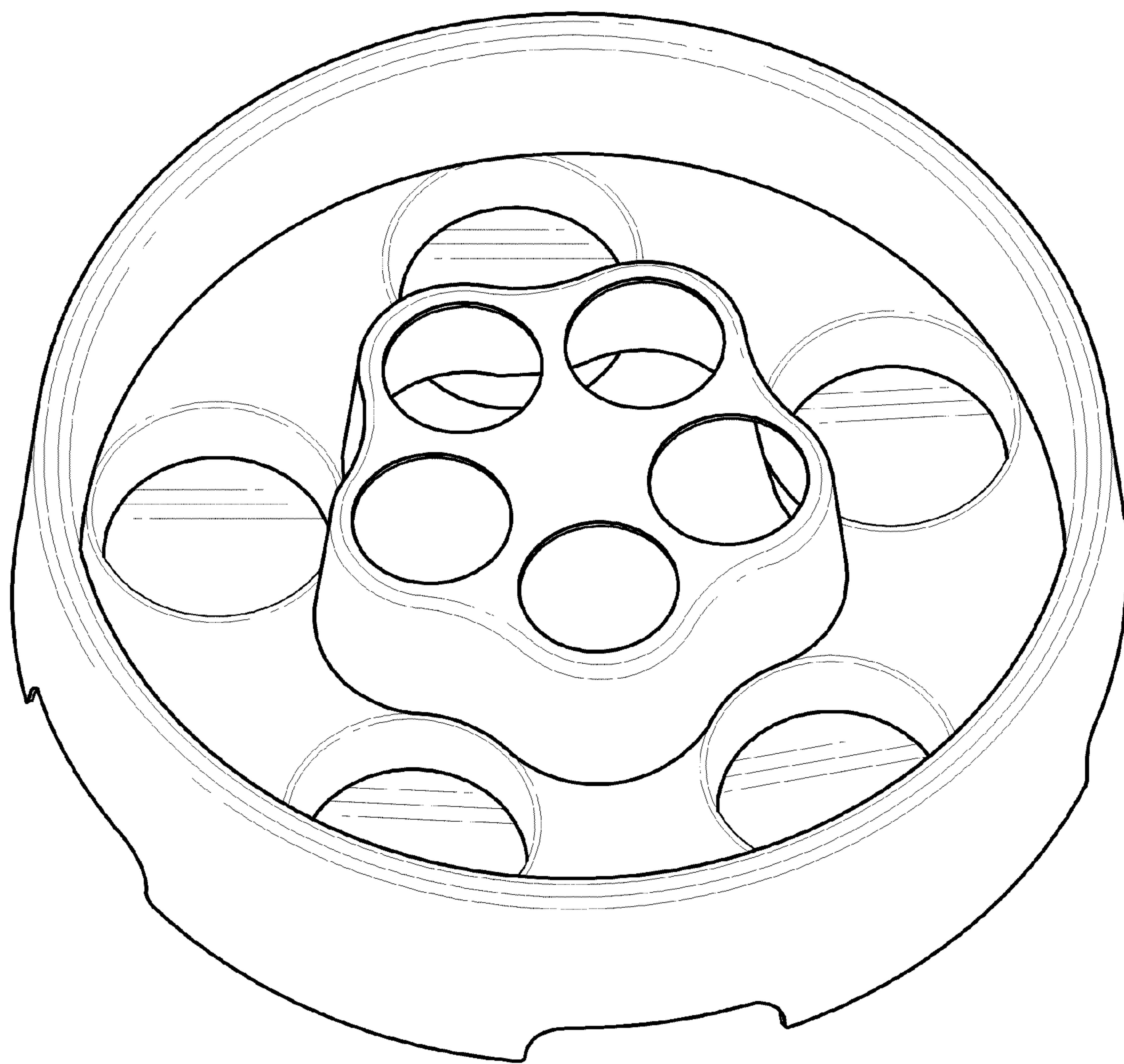


FIG. 1

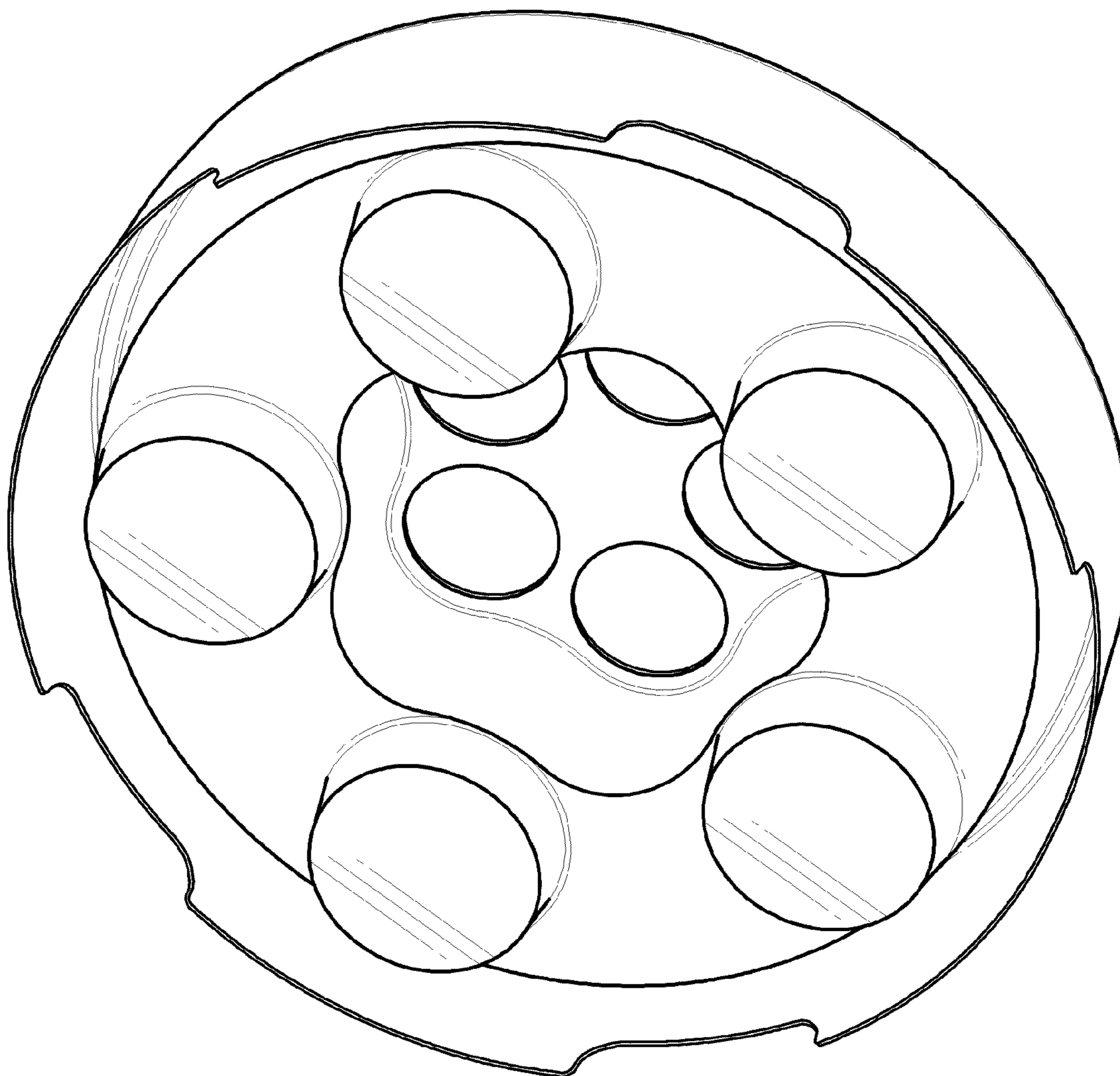


FIG. 2

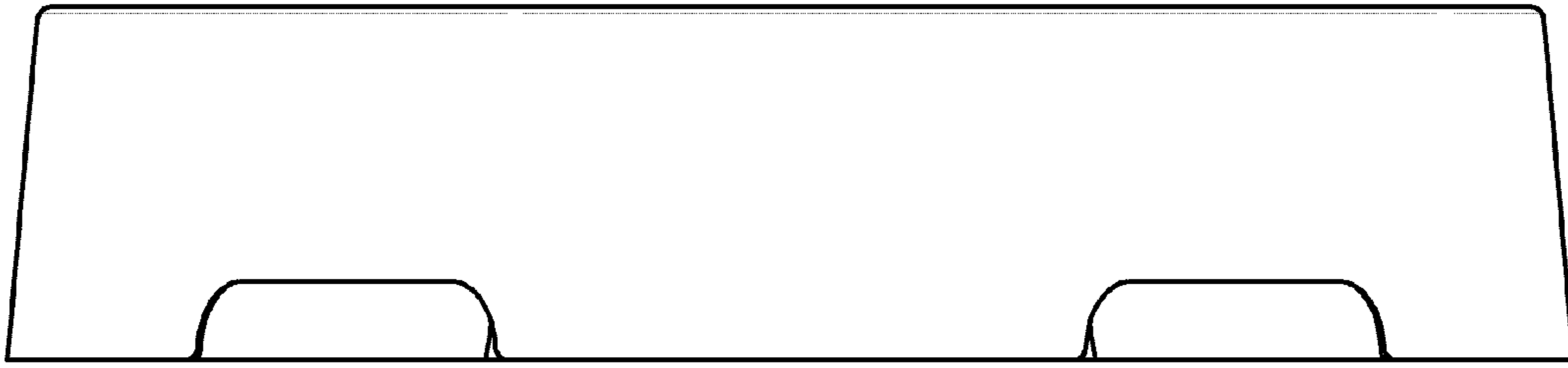


FIG. 3

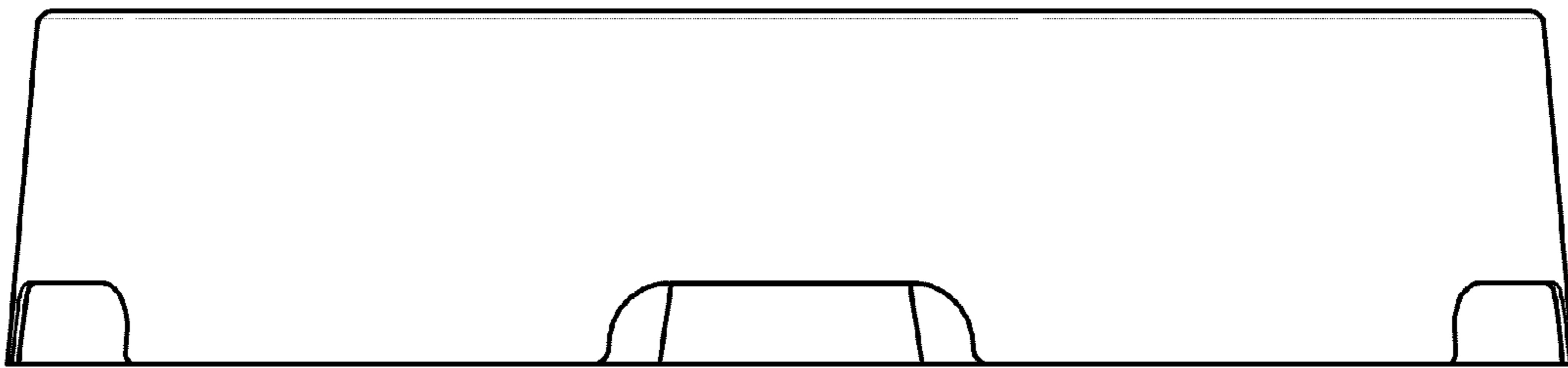


FIG. 4

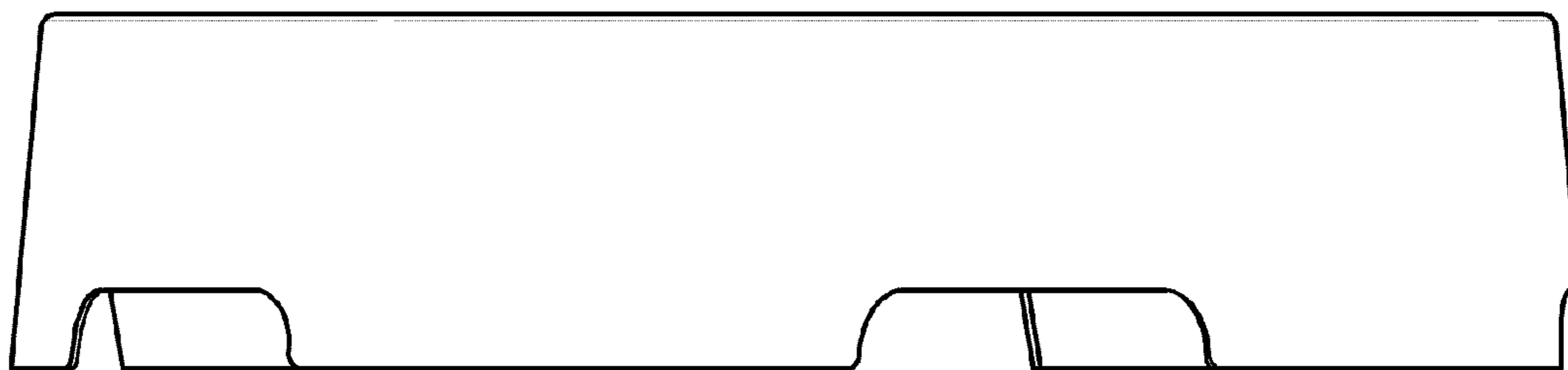


FIG. 5

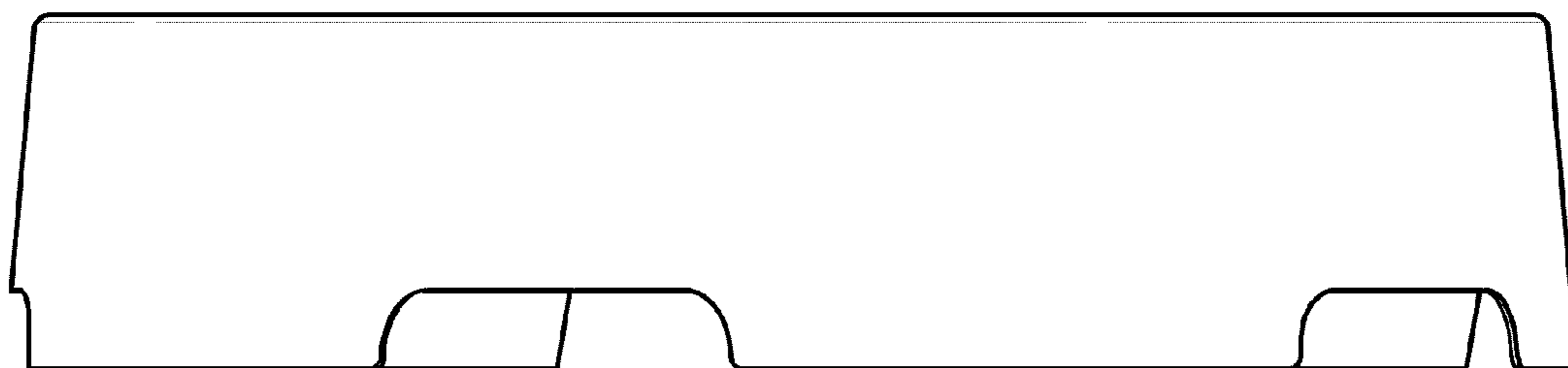


FIG. 6



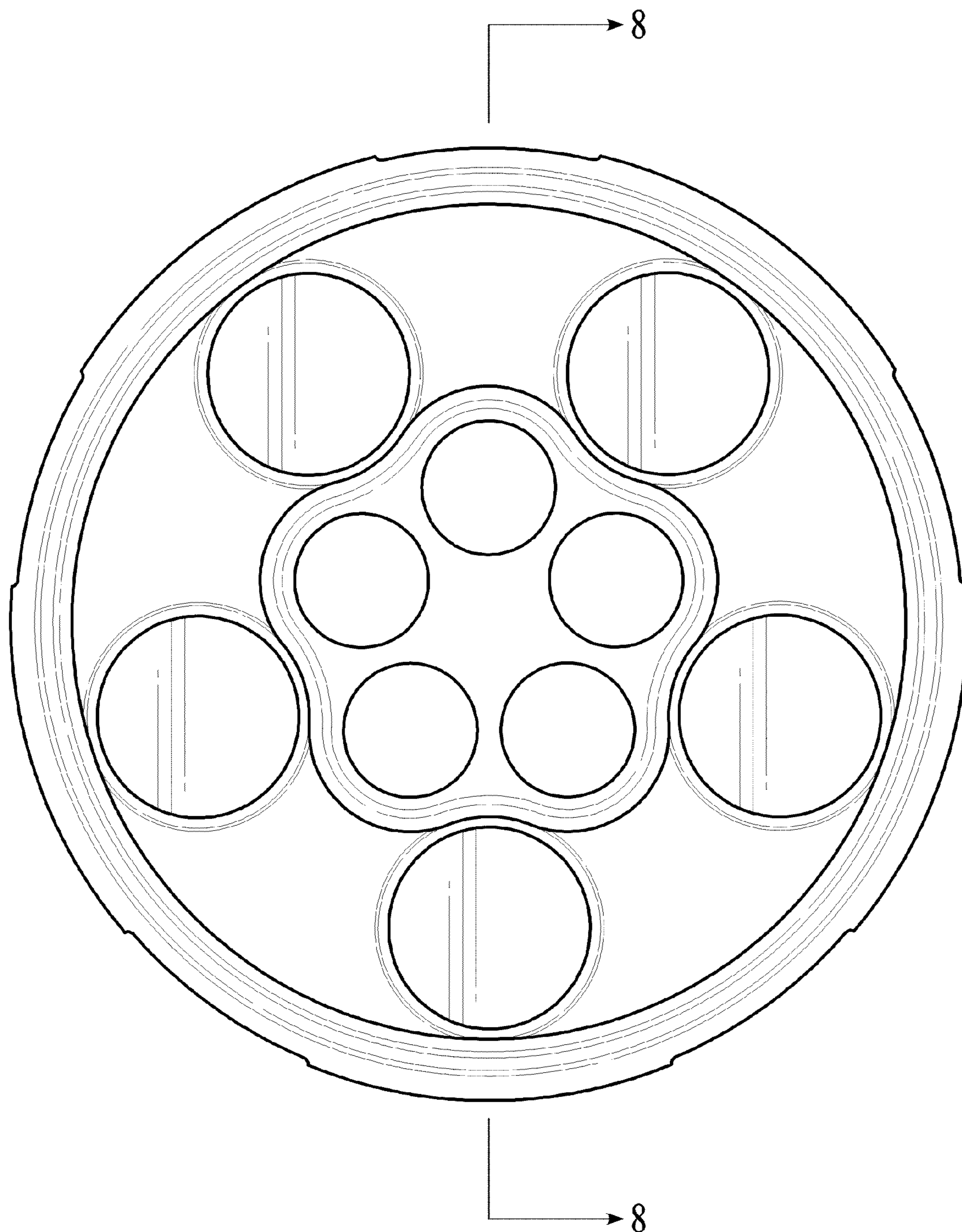


FIG. 7

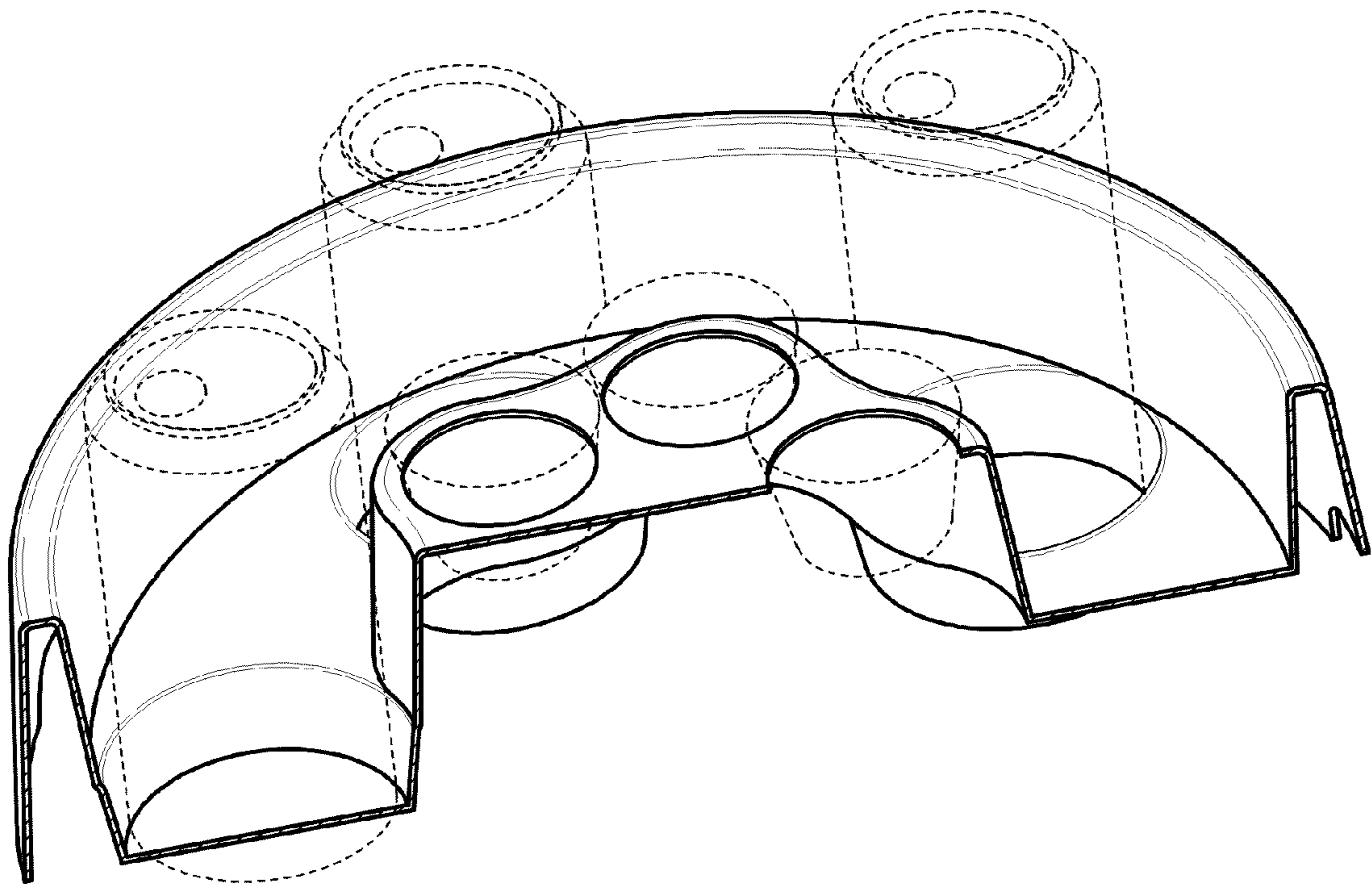


FIG. 8

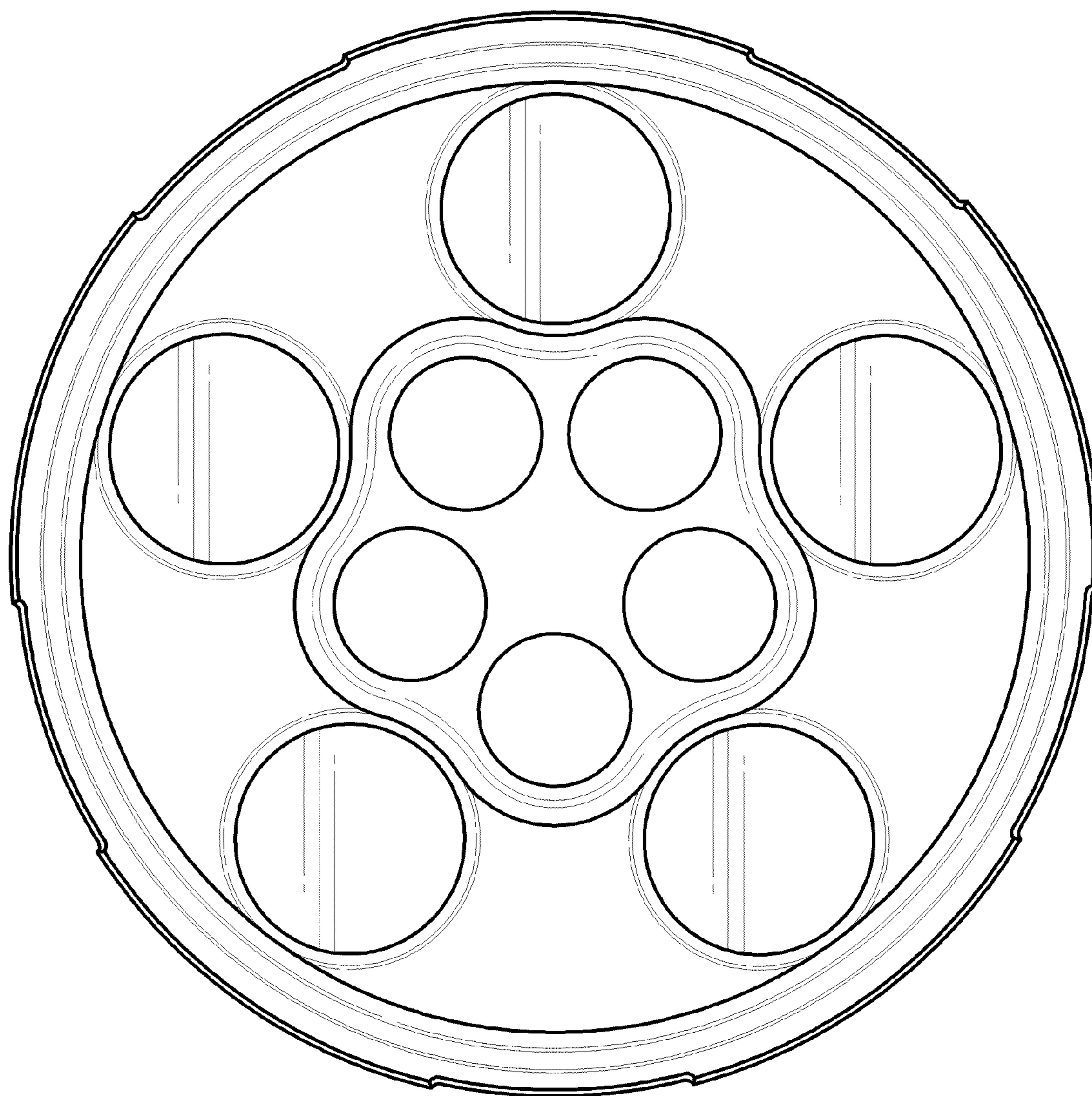


FIG. 9