



US00D651043S

(12) **United States Design Patent**  
**Sarnoff et al.**

(10) **Patent No.:** **US D651,043 S**

(45) **Date of Patent:** **\*\* Dec. 27, 2011**

(54) **DRIP PAN**

(75) Inventors: **Norton Sarnoff**, Northbrook, IL (US);  
**Raj Patel**, Zurich, IL (US)

(73) Assignee: **Handi-Foil Corporation**, Wheeling, IL (US)

(\*\*) Term: **14 Years**

(21) Appl. No.: **29/377,895**

(22) Filed: **Oct. 27, 2010**

(51) **LOC (9) Cl.** ..... **07-02**

(52) **U.S. Cl.** ..... **D7/409; D7/354**

(58) **Field of Classification Search** ..... D7/323,  
D7/329-332, 337, 339, 346-347, 350.1-350.4,  
D7/354-363, 388, 391, 393, 395, 402, 408-409,  
D7/505, 538, 542, 549, 587, 667; D9/434,  
D9/456; D23/393; D28/61; D30/129; 99/324-325,  
99/331-332, 337-340, 396, 400-418, 425,  
99/444-446, 450; 119/161, 166; 126/9 R,  
126/25 A, 25 R, 41 R, 166, 275 R, 332, 380.1,  
126/390.1; 206/501-505, 507-508; 219/400,  
219/405, 435-442, 620-624, 725, 730-735;  
220/485, 491, 573.1-573.5, 759, 912; 426/438,  
426/441, 523

See application file for complete search history.

(56) **References Cited**

**U.S. PATENT DOCUMENTS**

3,237,552 A \* 3/1966 Cronheim ..... 99/340  
3,640,209 A \* 2/1972 Wilson ..... 99/446

D242,052 S \* 10/1976 Van Ness ..... D30/129  
D274,781 S \* 7/1984 Baker et al. .... D7/359  
5,453,574 A \* 9/1995 Zuran et al. .... 126/41 R  
D408,682 S \* 4/1999 Costa ..... D7/354  
D458,538 S \* 6/2002 Hayes et al. .... D9/434  
D493,256 S \* 7/2004 Kim ..... D28/61  
D566,556 S \* 4/2008 Baker et al. .... D9/456  
D581,726 S \* 12/2008 Shamoon ..... D7/388  
D588,396 S \* 3/2009 Millsap et al. .... D7/354  
D607,098 S \* 12/2009 Sykes ..... D23/393  
D608,146 S \* 1/2010 Zemel ..... D7/409

\* cited by examiner

*Primary Examiner* — Ricky Pham

(74) *Attorney, Agent, or Firm* — Adam K. Sacharoff; Much Shelist

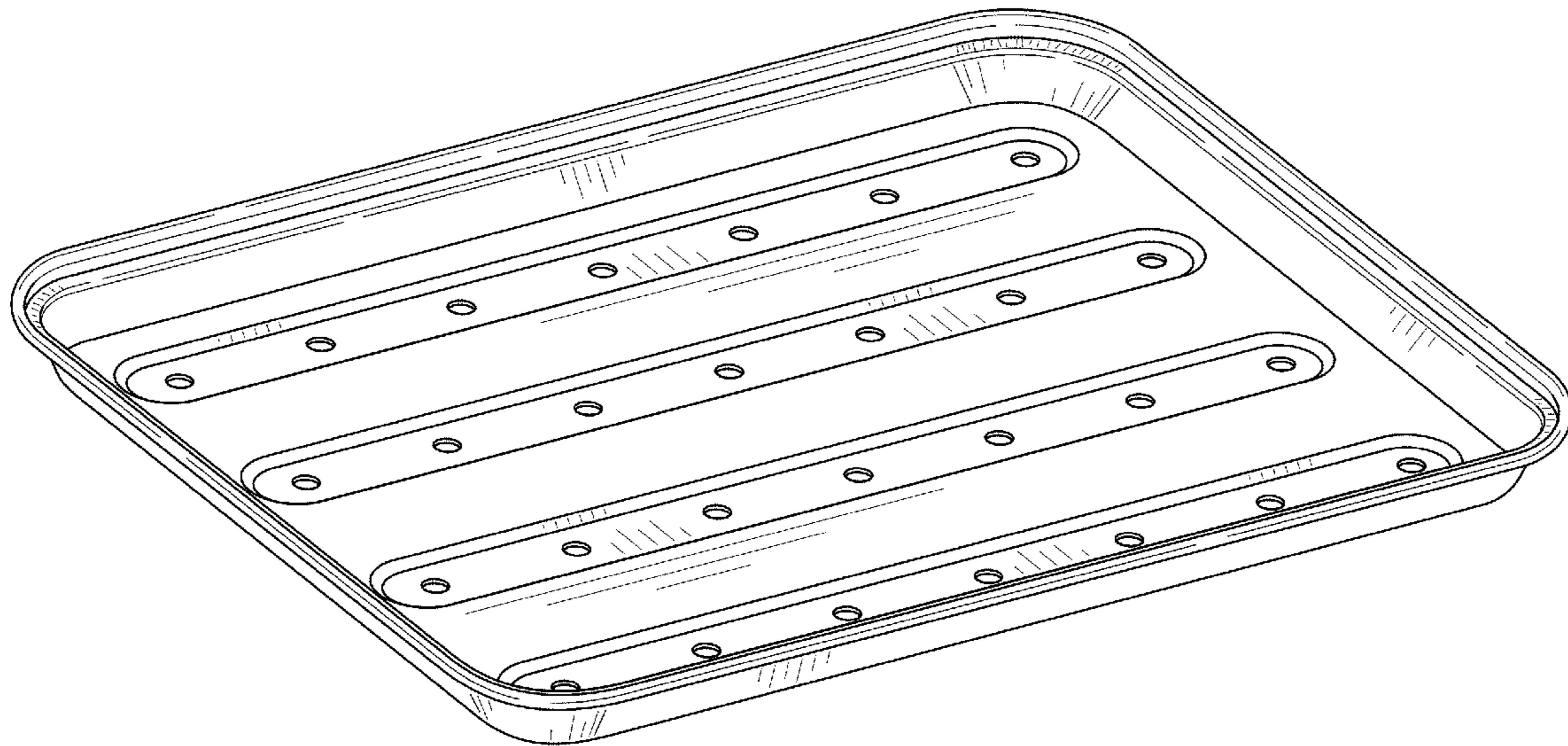
(57) **CLAIM**

The ornamental design for a drip pan, as shown and described.

**DESCRIPTION**

FIG. 1 is a top perspective view of a drip pan in accordance with the invention shown;  
FIG. 2 is a left side view of the drip pan from FIG. 1;  
FIG. 3 is a right side view of the drip pan from FIG. 1;  
FIG. 4 is a front side view of the drip pan from FIG. 1;  
FIG. 5 is a back side view of the drip pan from FIG. 1;  
FIG. 6 is a top side view of the drip pan from FIG. 1;  
FIG. 7 is a bottom side view of the drip pan from FIG. 1; and,  
FIG. 8 is a bottom perspective view of the drip pan from FIG. 1.

**1 Claim, 5 Drawing Sheets**



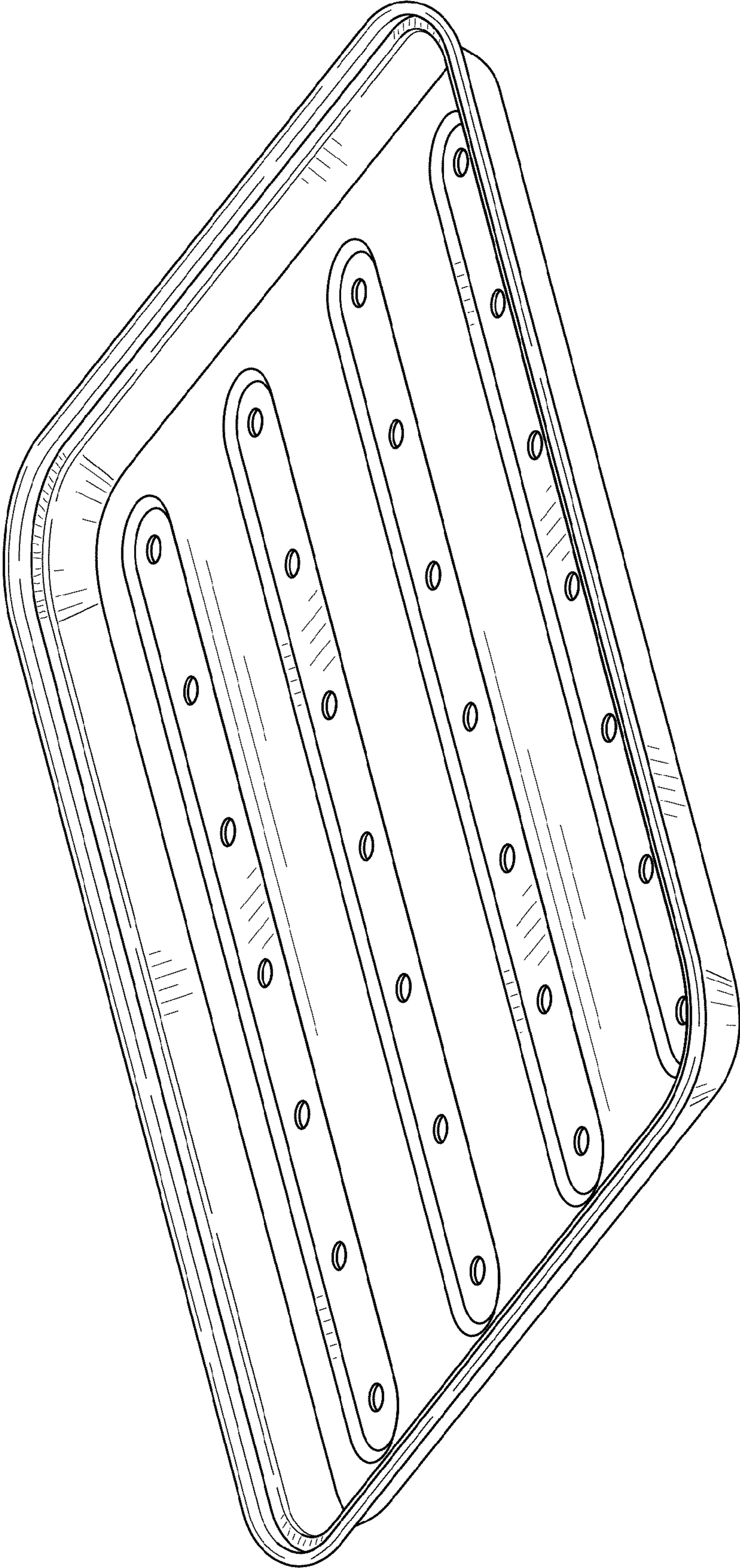


FIG. 1



FIG. 2



FIG. 3



FIG. 4



FIG. 5

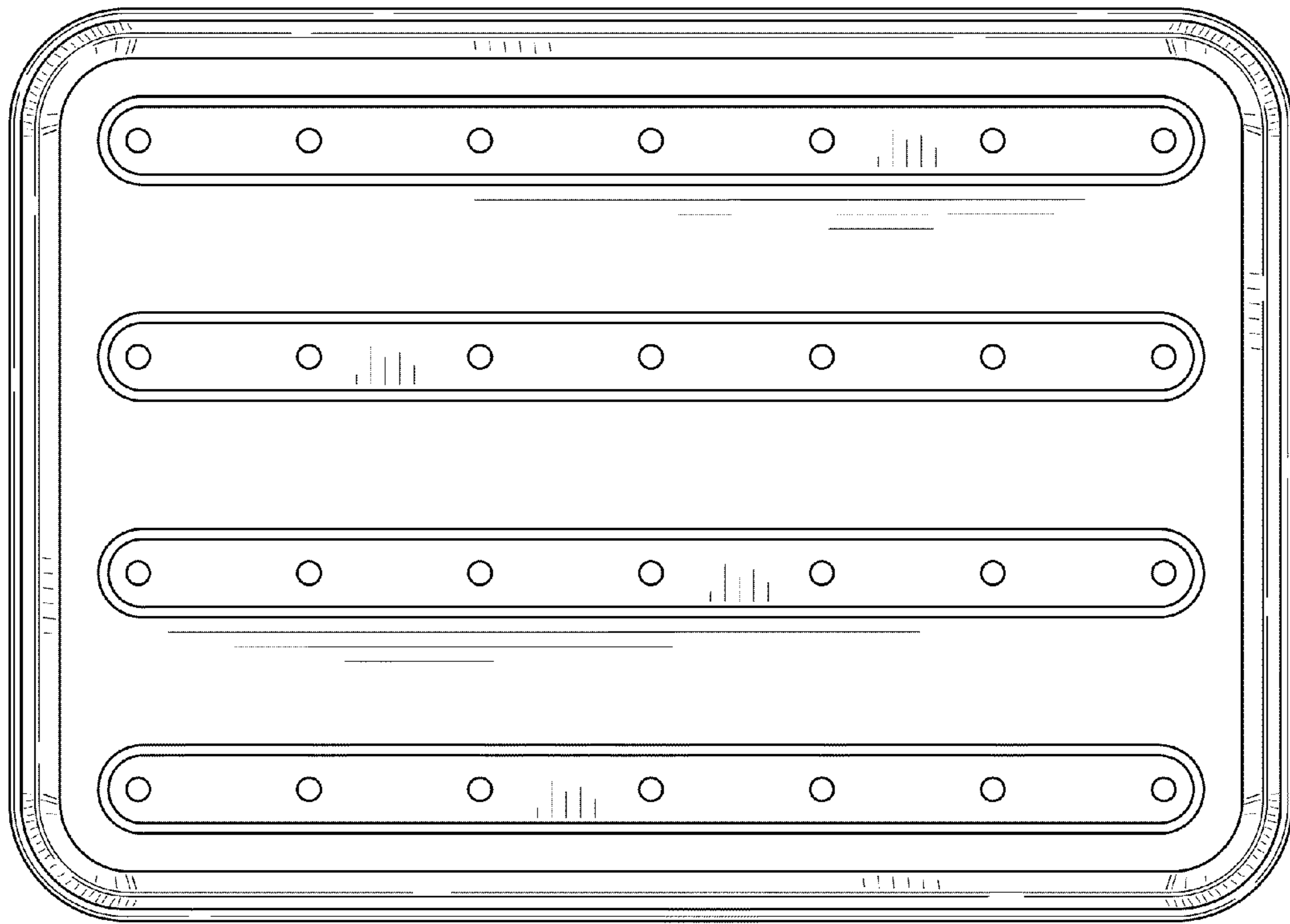


FIG. 6

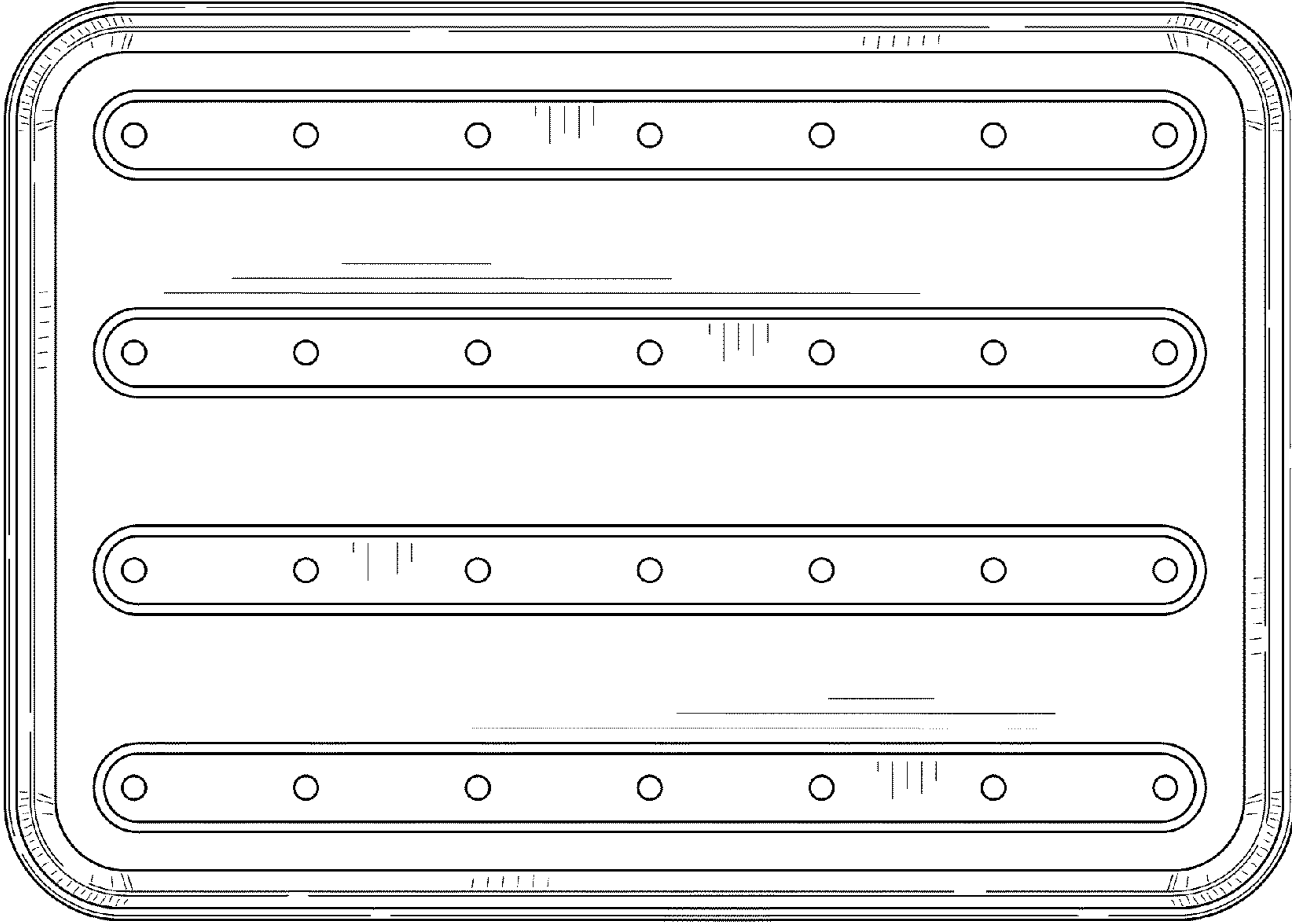


FIG. 7

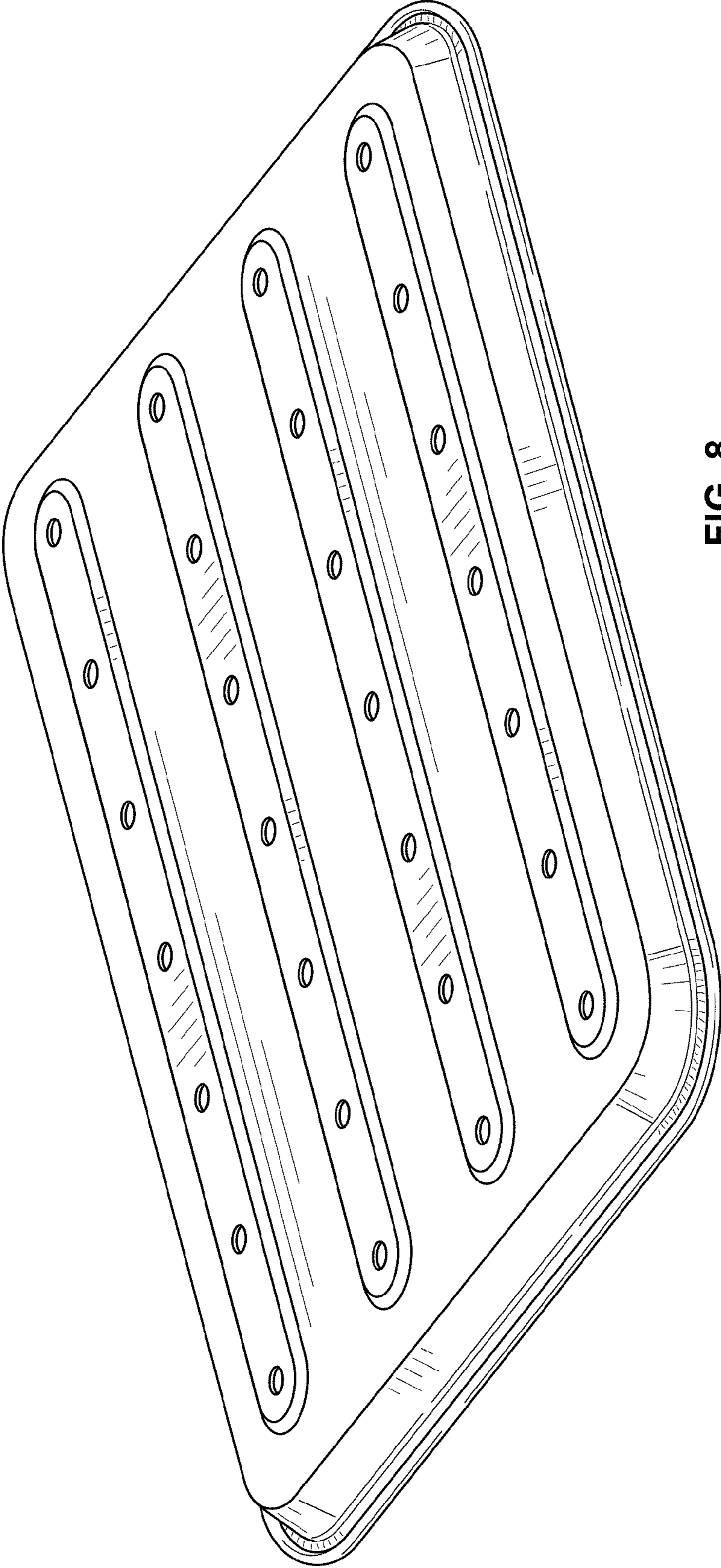


FIG. 8