



US00D651040S

(12) **United States Design Patent**  
**Moon et al.**

(10) **Patent No.:** **US D651,040 S**

(45) **Date of Patent:** **\*\* Dec. 27, 2011**

(54) **MIXER**

(75) Inventors: **Jung S. Moon**, Buffalo Grove, IL (US);  
**Mikale K. Kwon**, Glenview, IL (US);  
**Byung G. Choi**, Vernon Hills, IL (US)

(73) Assignee: **IBC-Hearthware, Inc.**, Libertyville, IL (US)

(\*\*) Term: **14 Years**

(21) Appl. No.: **29/383,226**

(22) Filed: **Jan. 14, 2011**

(51) **LOC (9) Cl.** ..... **31-00**

(52) **U.S. Cl.** ..... **D7/376; D7/378; D7/384; D7/412**

(58) **Field of Classification Search** ..... D7/305-311,  
D7/317-318, 368, 372, 376-386, 391, 412-415,  
D7/607, 665; D15/82; 99/326, 348, 508-511;  
241/30-37.5, 101.01-101.2, 166-169.1,  
241/282.2, 285.1-285.3, 291, 292.1; 366/64-67,  
366/98, 142, 197-211, 241-254, 279-292,  
366/341-347; 416/75-76, 70 R, 163  
See application file for complete search history.

D372,835 S *	8/1996	Leverrier	.....	D7/372
D386,355 S	11/1997	Davidson et al.		
D390,745 S *	2/1998	Leverrier	.....	D7/381
5,823,672 A	10/1998	Barker		
5,875,706 A	3/1999	Borger et al.		
5,921,485 A	7/1999	Plavcan		
6,092,922 A	7/2000	Kett et al.		
D442,009 S *	5/2001	Schwarzli	.....	D7/306
D445,635 S	7/2001	Gort-Barten		
D451,756 S	12/2001	Deros et al.		
D478,100 S *	8/2003	Wade	.....	D15/82
D483,993 S	12/2003	Boyle et al.		
D487,668 S *	3/2004	Sands	.....	D7/378
D502,358 S	3/2005	Weaden		
D530,975 S *	10/2006	Fernandez	.....	D7/378
D554,427 S	11/2007	Sands		
D563,164 S	3/2008	Sands		
7,419,111 B2	9/2008	Gursel		

(Continued)

*Primary Examiner* — Ricky Pham

(74) *Attorney, Agent, or Firm* — Albrecht Tousi & Farnum  
PLLC; Ralph P. Albrecht; Cameron H. Tousi

(57) **CLAIM**

We claim the ornamental design for a mixer, as shown and described.

**DESCRIPTION**

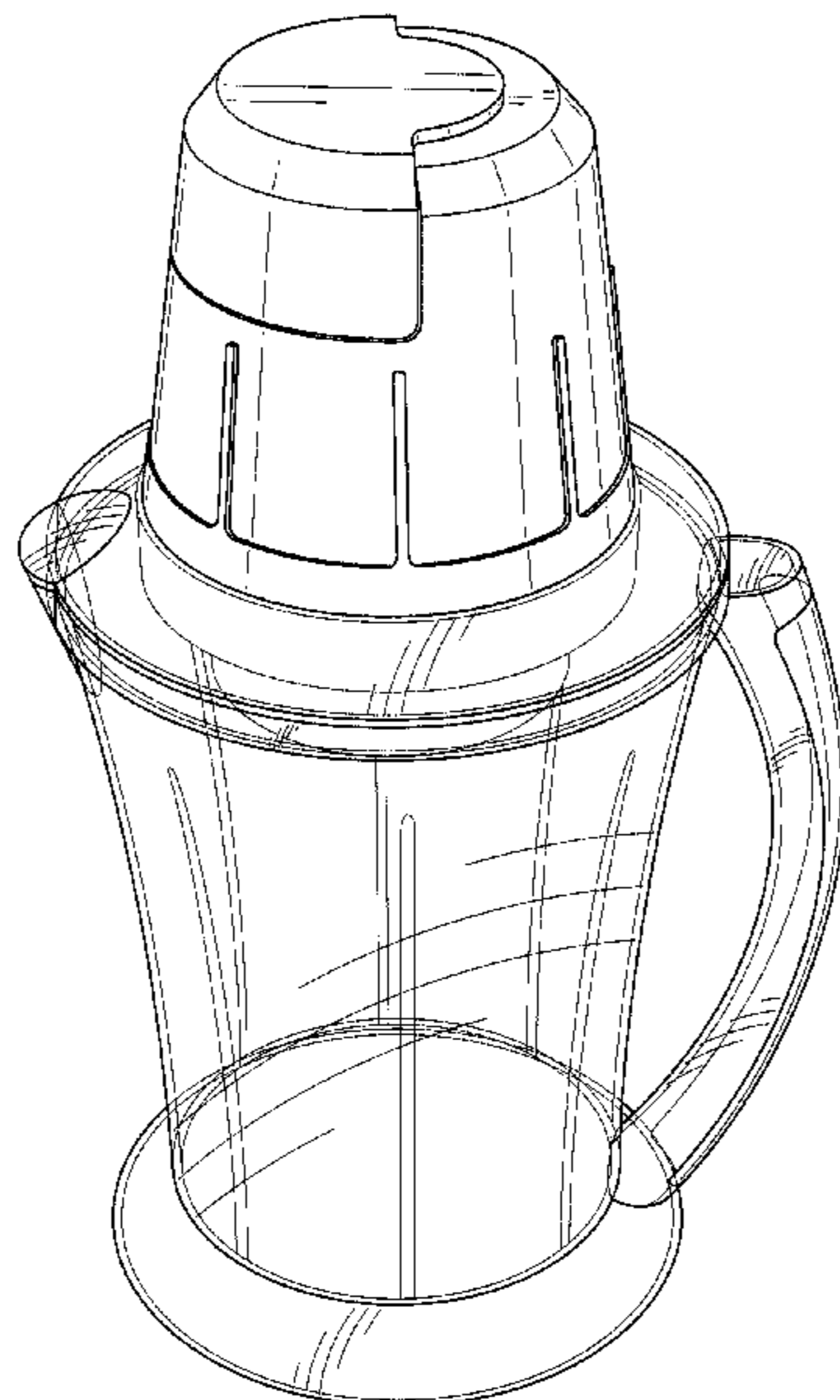
FIG. 1 is a perspective view of a mixer of the present invention;  
FIG. 2 is a left side view of the mixer of the present invention;  
FIG. 3 is a right side view of the mixer of the present invention;  
FIG. 4 is a front view of the mixer of the present invention;  
FIG. 5 is a back view of the mixer of the present invention;  
FIG. 6 is a top view of the mixer with its power head attached of the present invention; and,  
FIG. 7 is a bottom view of the mixer of the present invention.

**1 Claim, 6 Drawing Sheets**

(56) **References Cited**

U.S. PATENT DOCUMENTS

241,278 A	5/1881	Barnard		
917,206 A	4/1909	Watts		
1,017,820 A	2/1912	Svebilus		
2,771,111 A	11/1956	Seyfried		
2,964,301 A	12/1960	Bosse		
3,139,917 A	7/1964	Elmore		
D220,416 S	4/1971	Folden et al.		
4,260,267 A	4/1981	Walton		
4,744,522 A	5/1988	Borgmann et al.		
4,817,878 A	4/1989	Shibata		
4,967,970 A *	11/1990	Michel	.....	241/169
D320,326 S *	10/1991	Barrault	.....	D7/384



# US D651,040 S

Page 2

---

U.S. PATENT DOCUMENTS					
7,677,485	B2	3/2010	Gursel	D623,890	S * 9/2010 Metaxatos et al. .... D7/376
D617,136	S	6/2010	Block et al.	D629,643	S * 12/2010 Bower ..... D7/378
D622,095	S *	8/2010	Metaxatos et al. .... D7/383	D632,523	S * 2/2011 Metaxatos et al. .... D7/412
					* cited by examiner

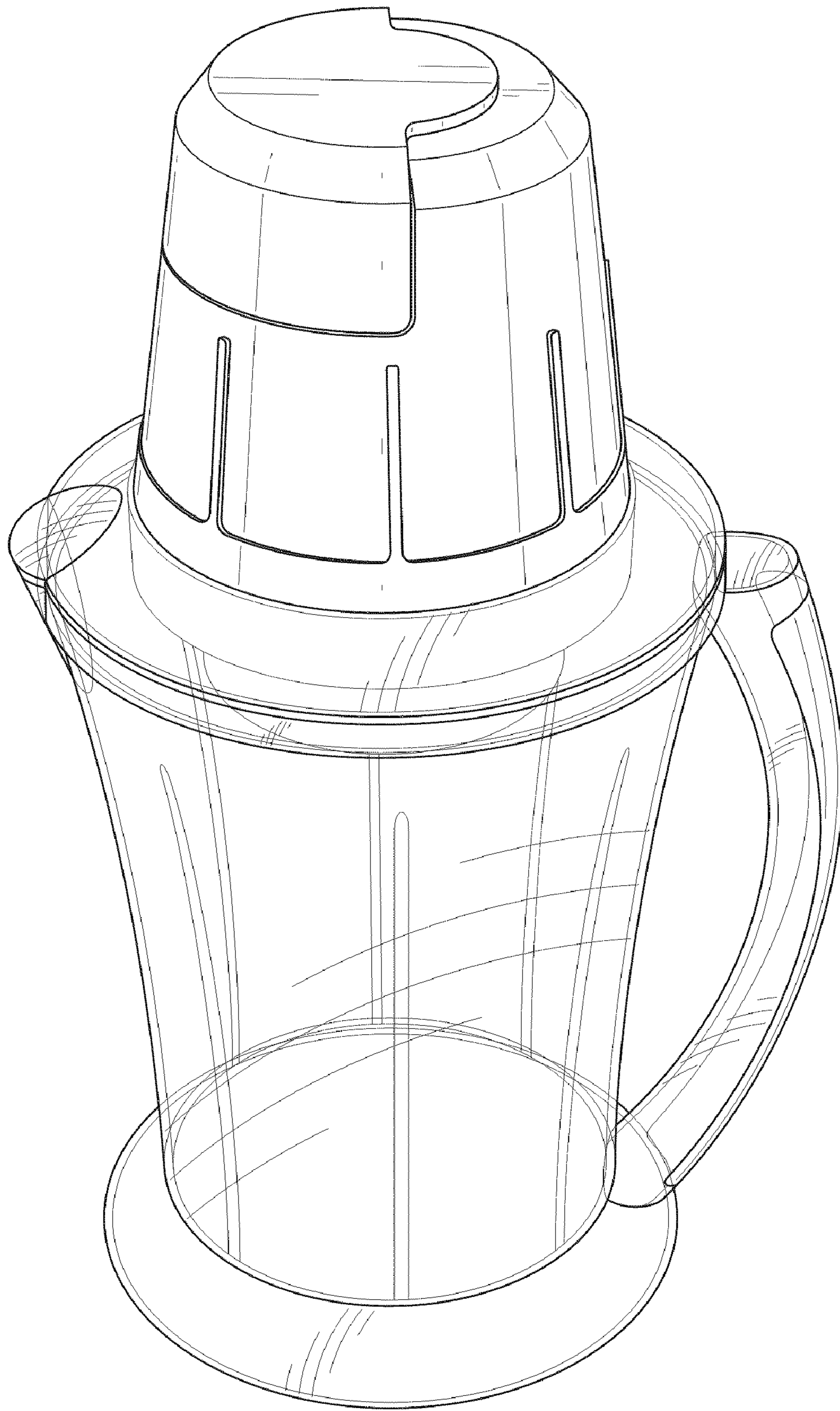


FIG. 1

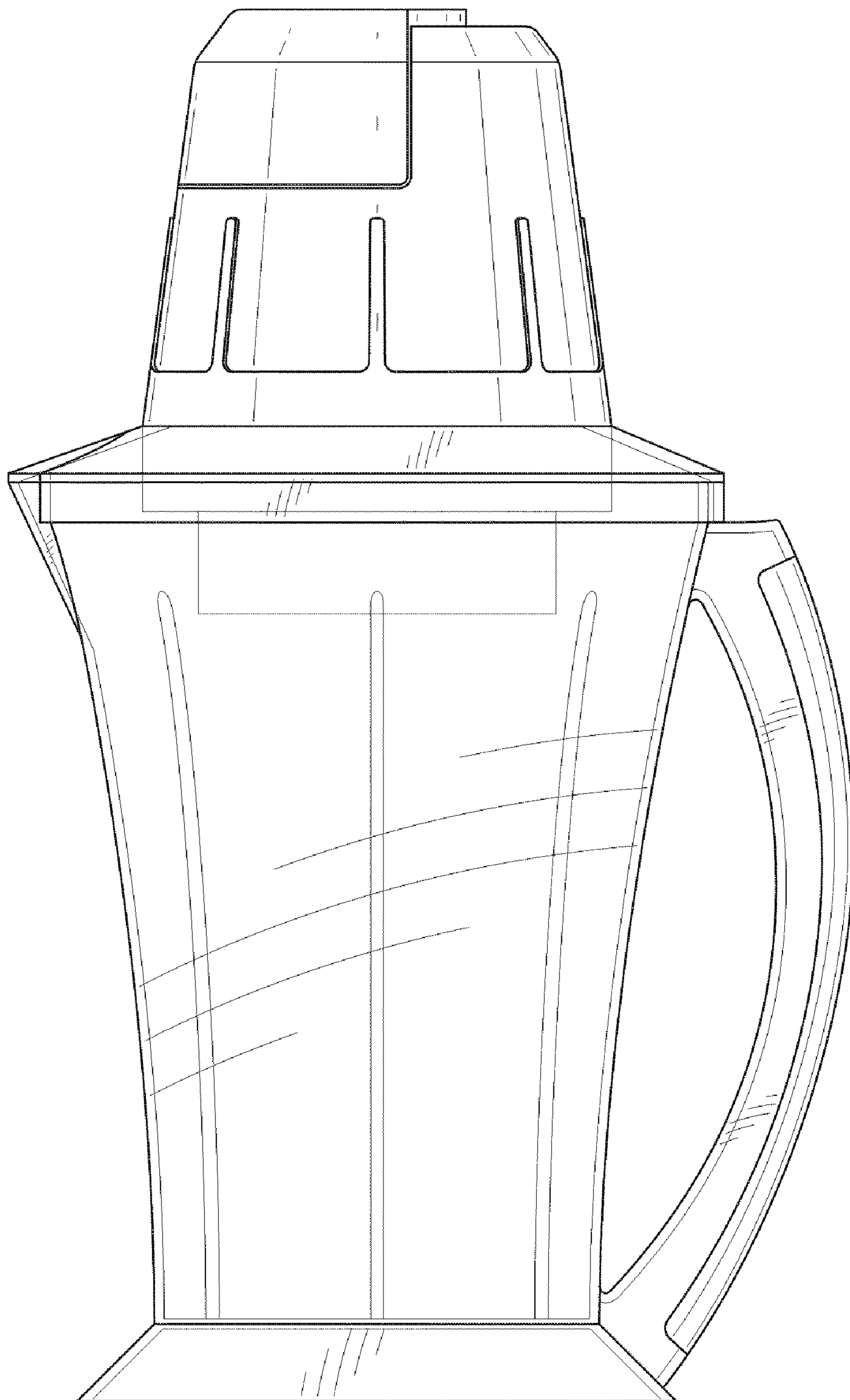


FIG. 2



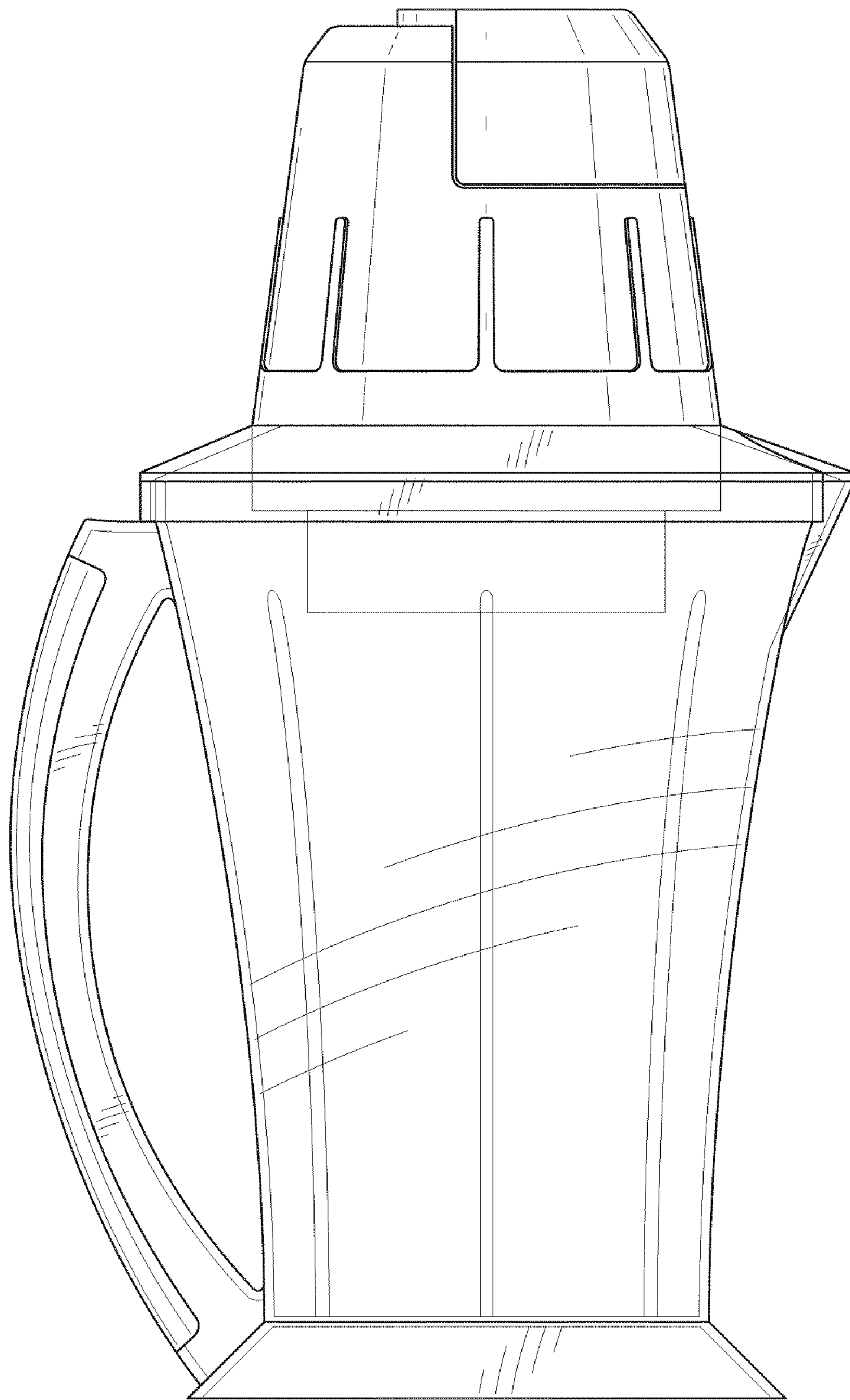


FIG. 3

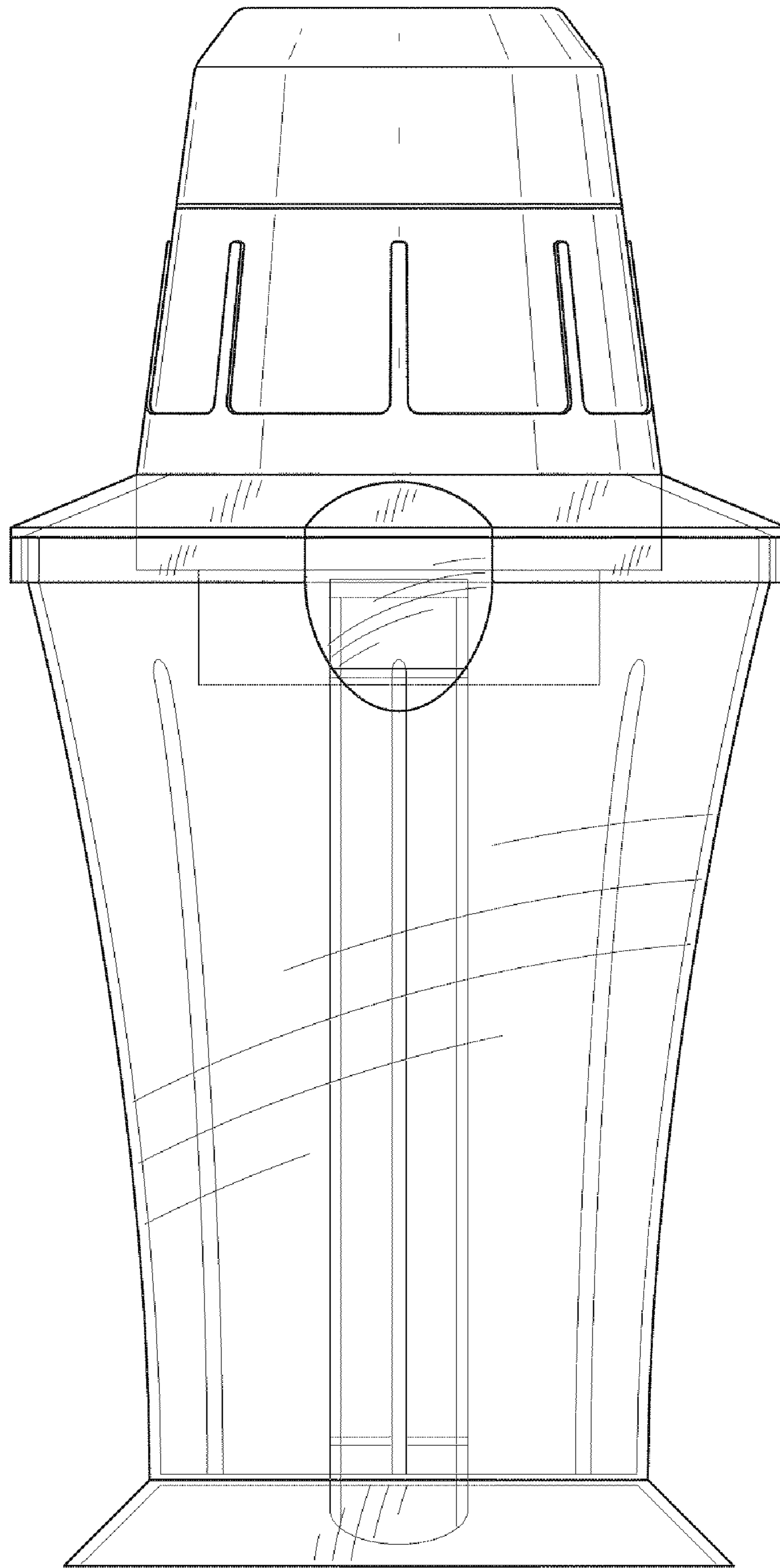


FIG. 4

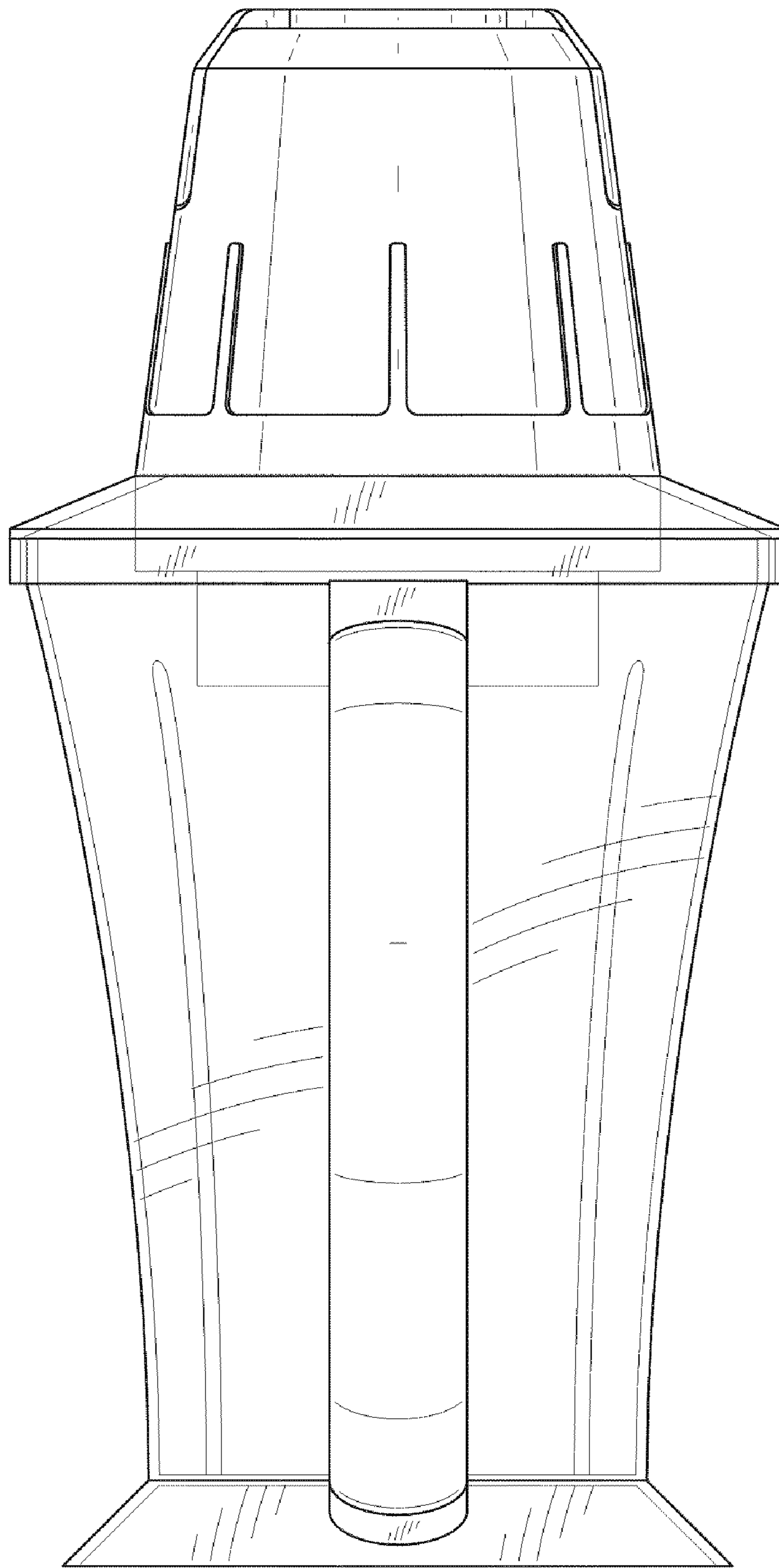


FIG. 5

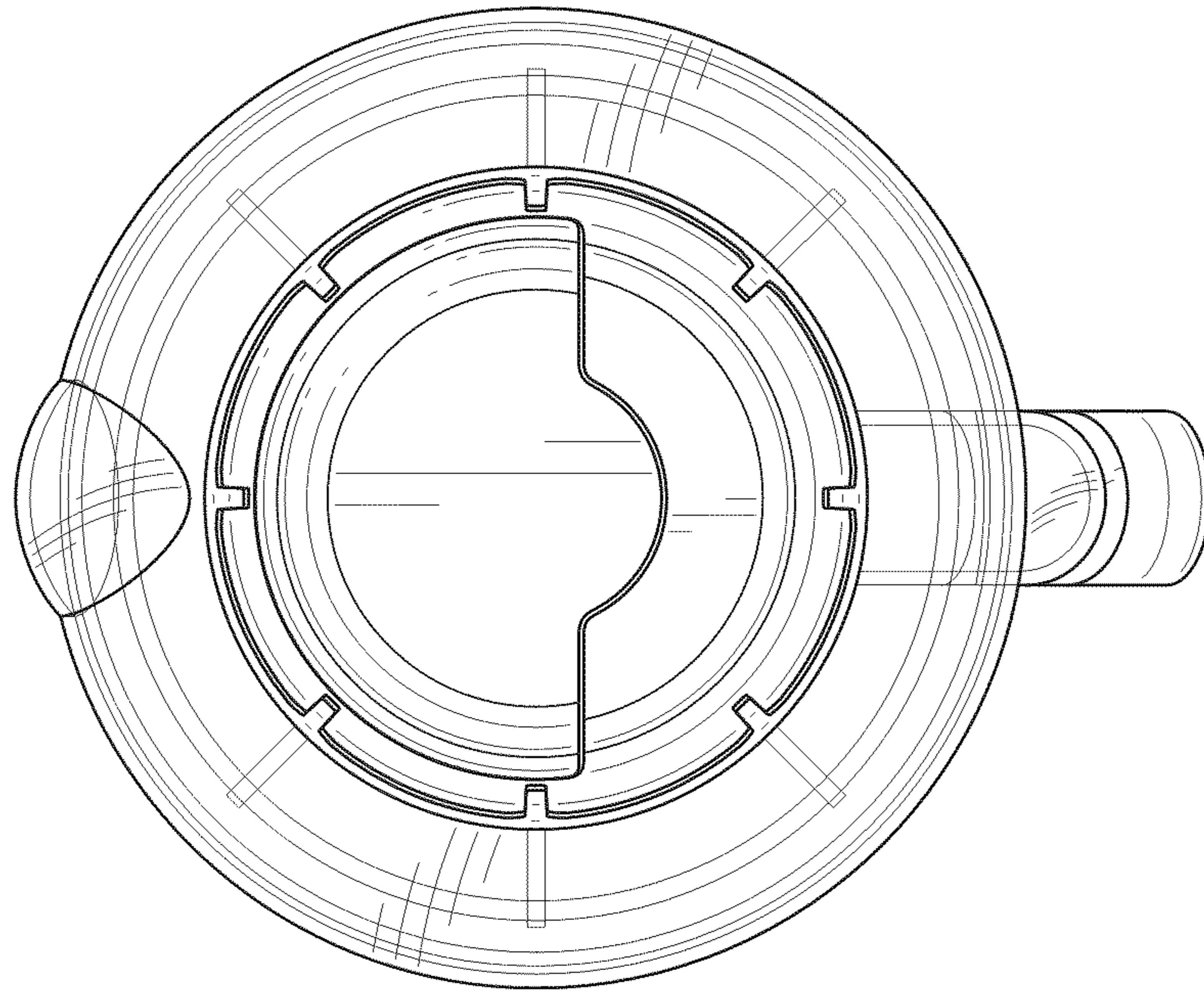


FIG. 6

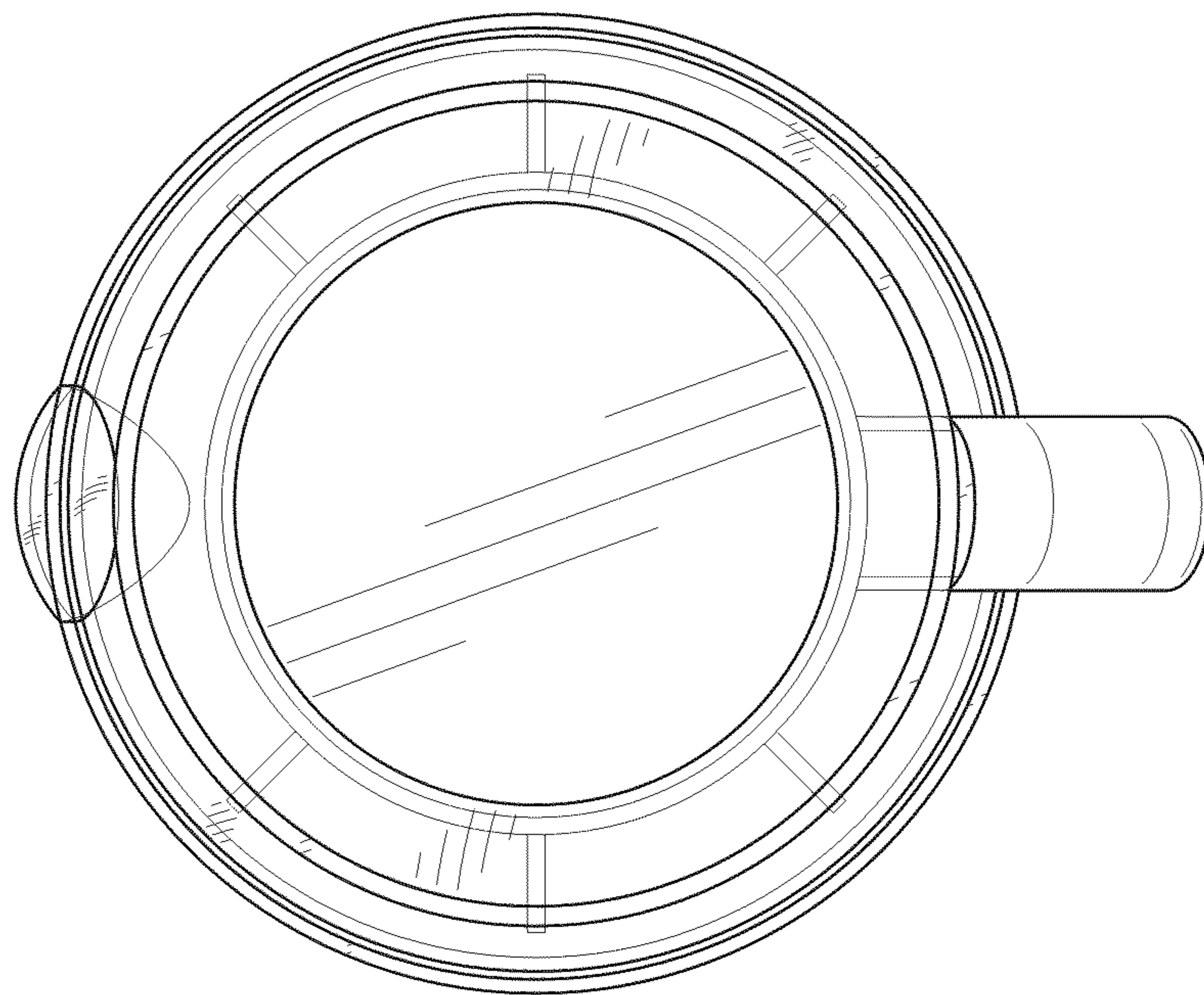


FIG. 7