



US00D651036S

(12) **United States Design Patent**
Kim et al.

(10) **Patent No.:** **US D651,036 S**
(45) **Date of Patent:** **** Dec. 27, 2011**

(54) **OVEN RANGE**

(75) Inventors: **Myungshik Kim**, Seoul (KR);
Sangmoon Jeong, Gyeonggi-do (KR);
Eugene Suh, Seoul (KR); **Inhyeuk Choi**, Seoul (KR)

(73) Assignee: **LG Electronics Inc.**, Seoul (KR)

(**) Term: **14 Years**

(21) Appl. No.: **29/385,307**

(22) Filed: **Feb. 11, 2011**

(30) **Foreign Application Priority Data**

Aug. 12, 2010 (KR) 30-2010-0035223

(51) **LOC (9) Cl.** **07-02**

(52) **U.S. Cl.** **D7/349**

(58) **Field of Classification Search** D7/339-348,
D7/402-408, 350.1-351; 126/19 R, 39 B,
126/39 C, 39 R, 273 R, 50

See application file for complete search history.

(56) **References Cited**

U.S. PATENT DOCUMENTS

D375,867 S * 11/1996 Sparks D7/340
D523,685 S * 6/2006 Jung et al. D7/340
D525,477 S * 7/2006 Kim D7/351
D526,527 S * 8/2006 Jung et al. D7/348

D538,581 S * 3/2007 Lee et al. D7/340
D538,582 S * 3/2007 Kim et al. D7/340
D541,577 S * 5/2007 Kim D7/340
D542,079 S * 5/2007 Kim D7/340
D552,920 S * 10/2007 Chung et al. D7/348
D580,698 S * 11/2008 Kim et al. D7/348
D610,863 S * 3/2010 Kim et al. D7/340
D627,593 S * 11/2010 Lee et al. D7/340

* cited by examiner

Primary Examiner — Holly Baynham
Assistant Examiner — Michelle E Wilson

(74) *Attorney, Agent, or Firm* — Birch, Stewart, Kolasch & Birch, LLP

(57) **CLAIM**

The ornamental design for an oven range, as shown and described.

DESCRIPTION

FIG. 1 is a top, front, perspective view of an oven range showing our new design;
FIG. 2 is a front view thereof;
FIG. 3 is a rear view thereof;
FIG. 4 is a left side view thereof;
FIG. 5 is a right side view thereof;
FIG. 6 is a top view thereof; and,
FIG. 7 is a bottom view thereof.

The broken lines shown are included for the purpose of illustrating the unclaimed portions of the article and form no part of the claim.

1 Claim, 7 Drawing Sheets

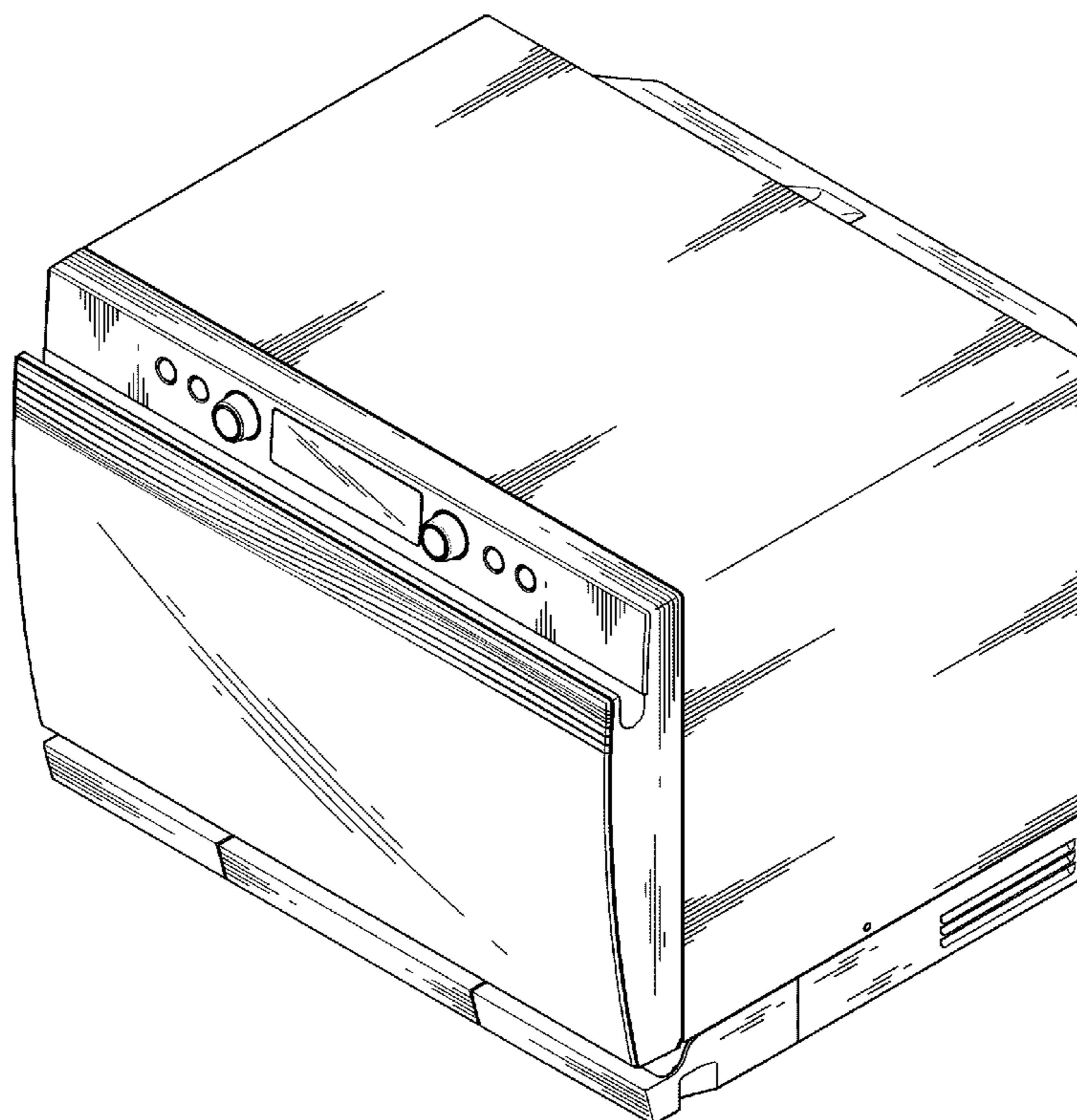


FIG. 1

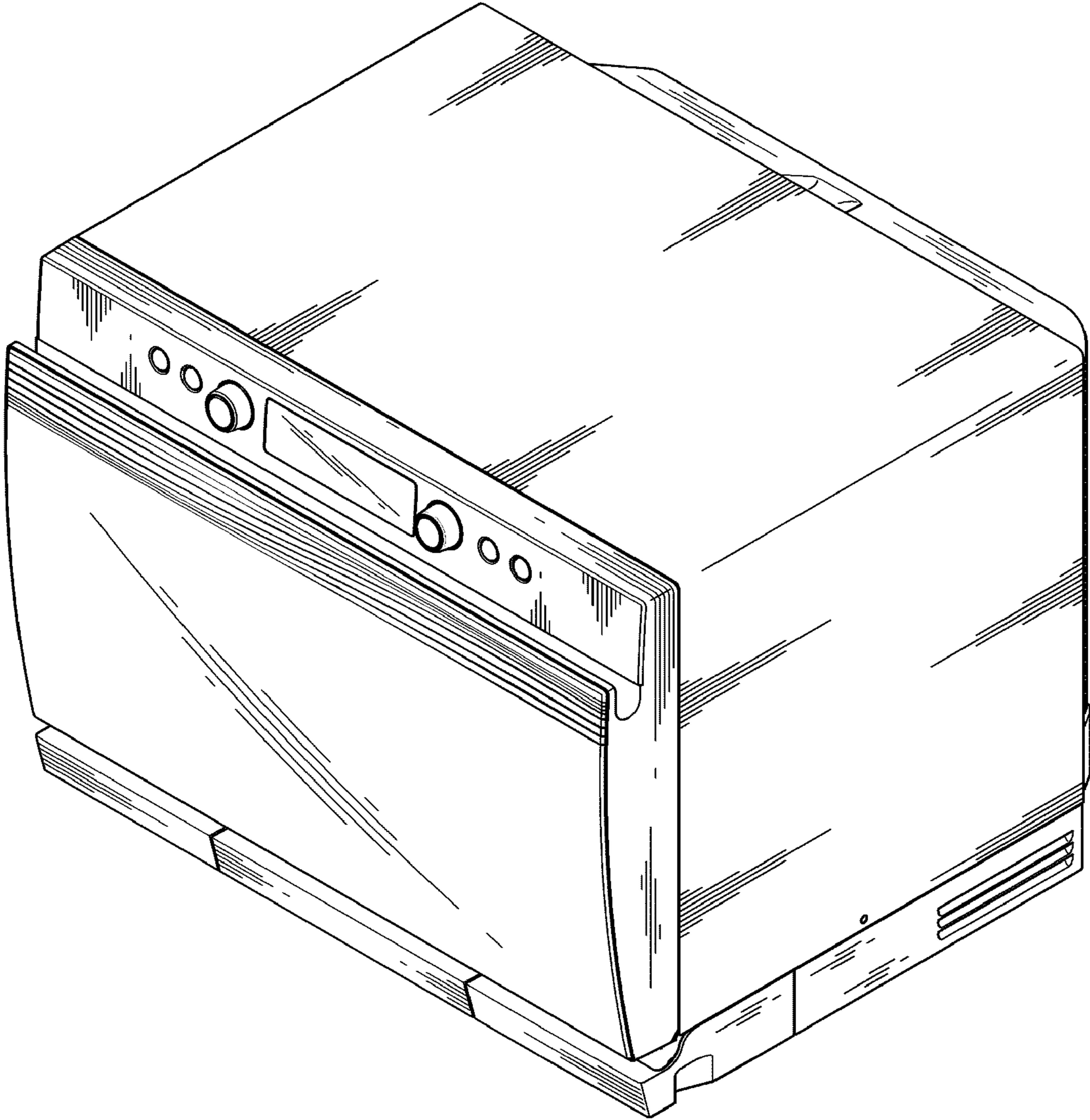


FIG. 2

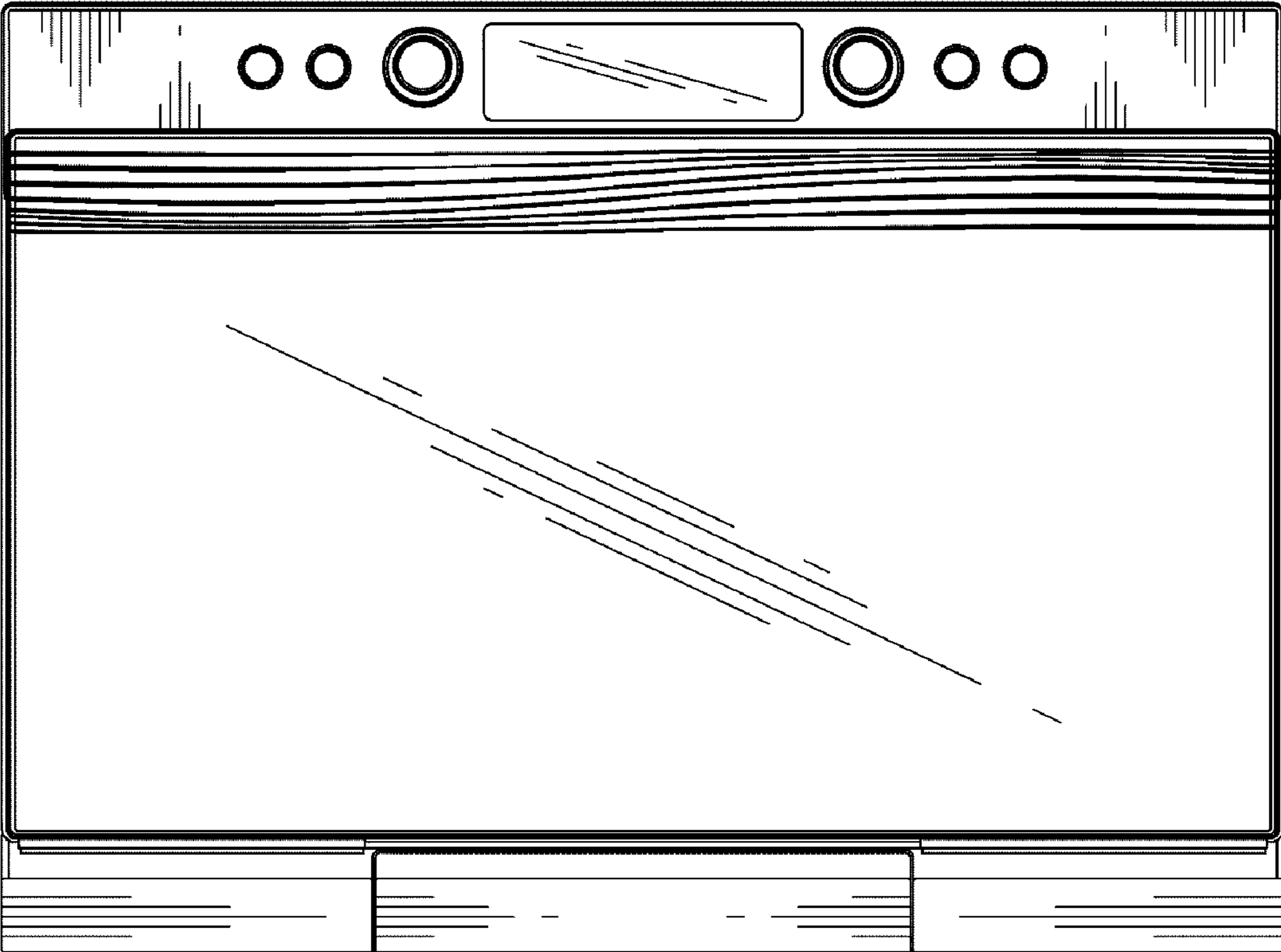


FIG. 3

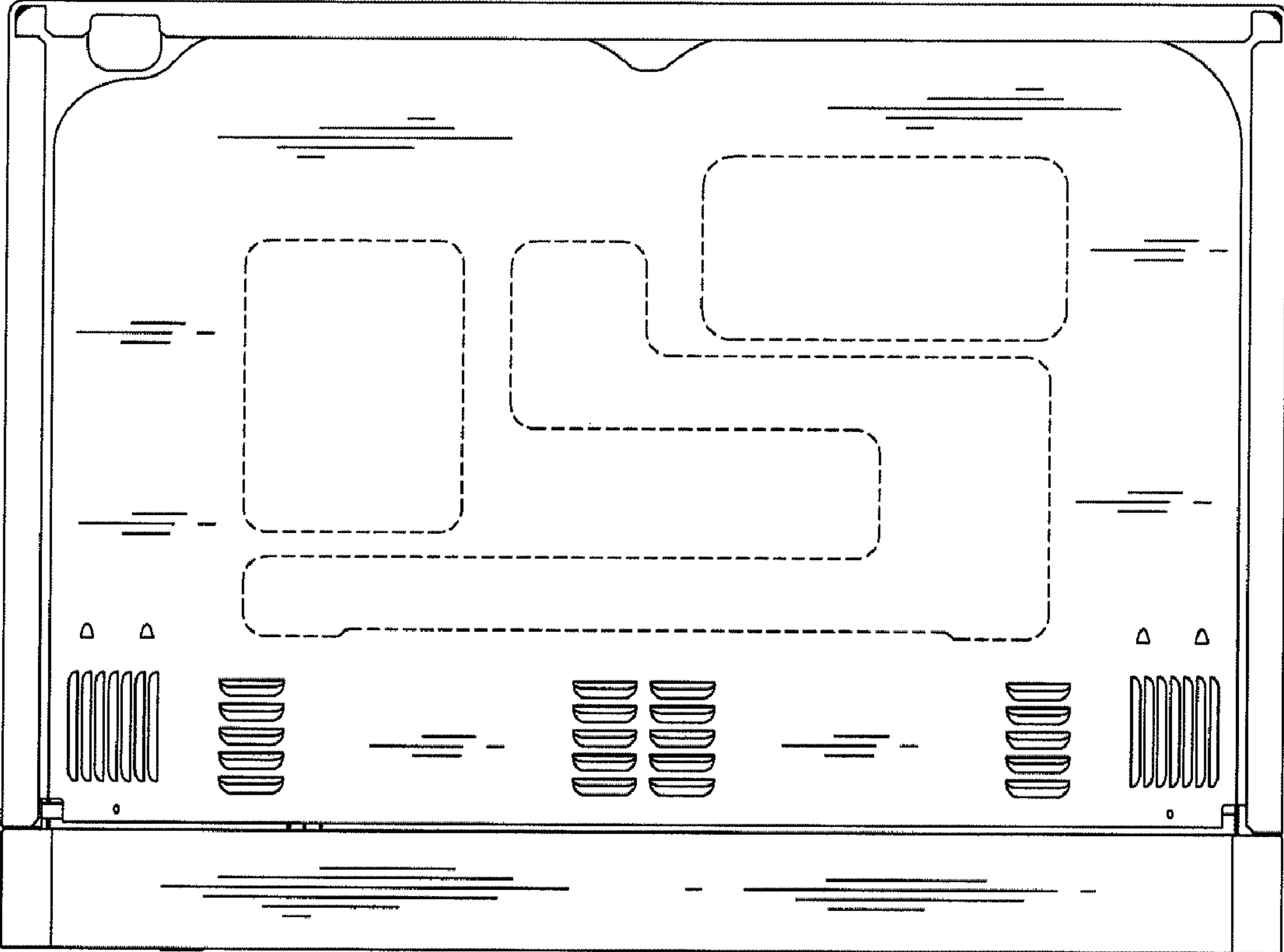


FIG. 4

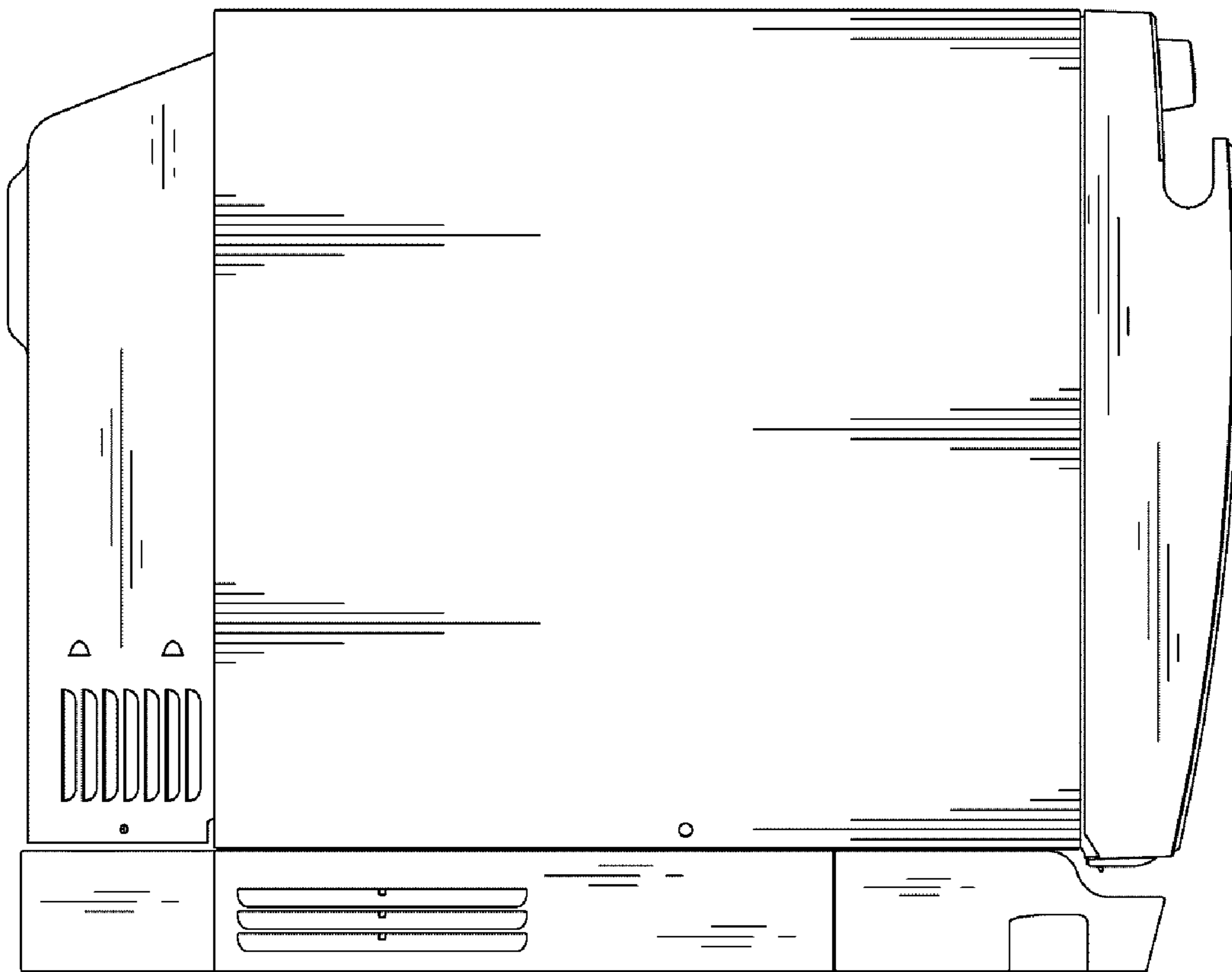


FIG. 5

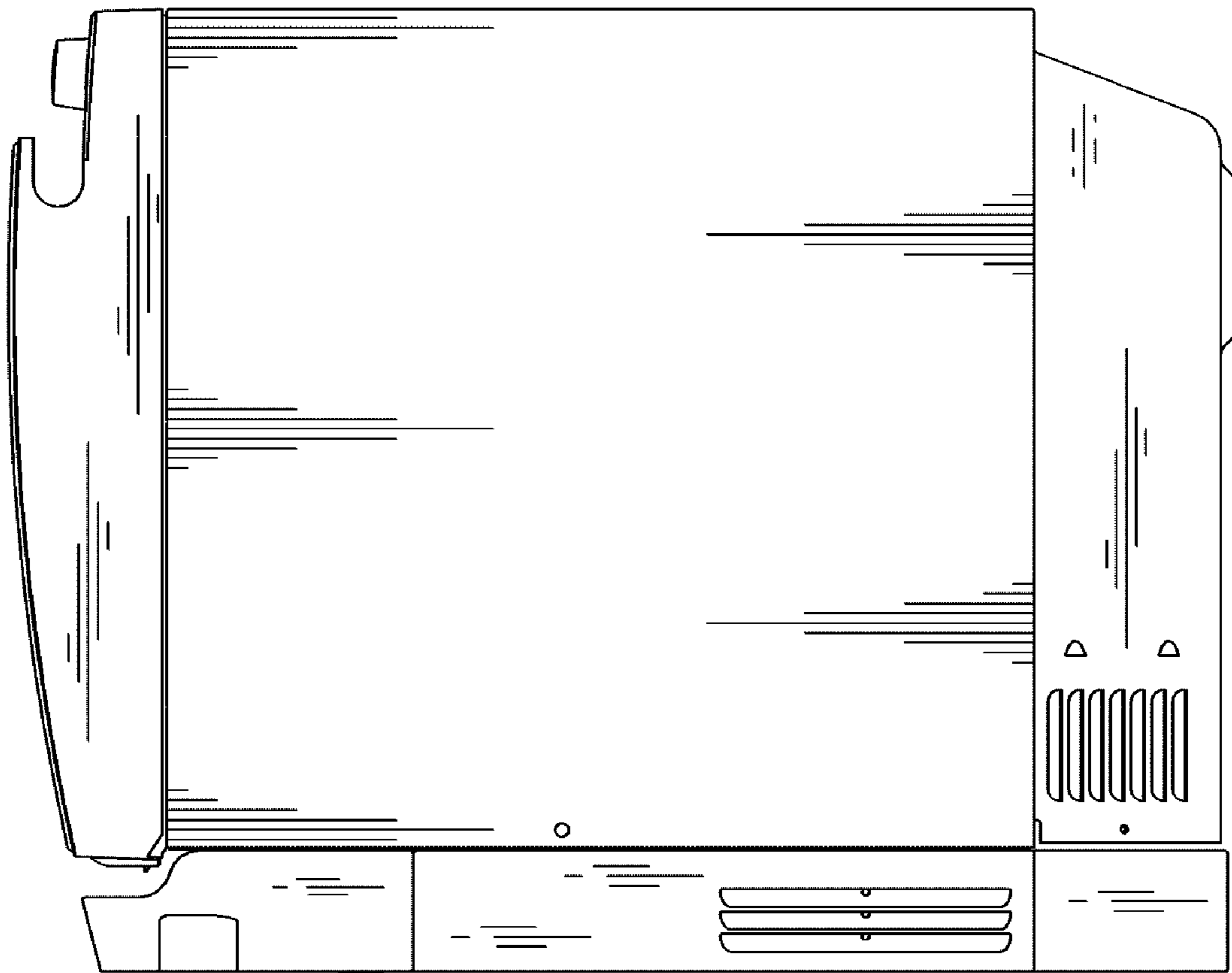


FIG. 6

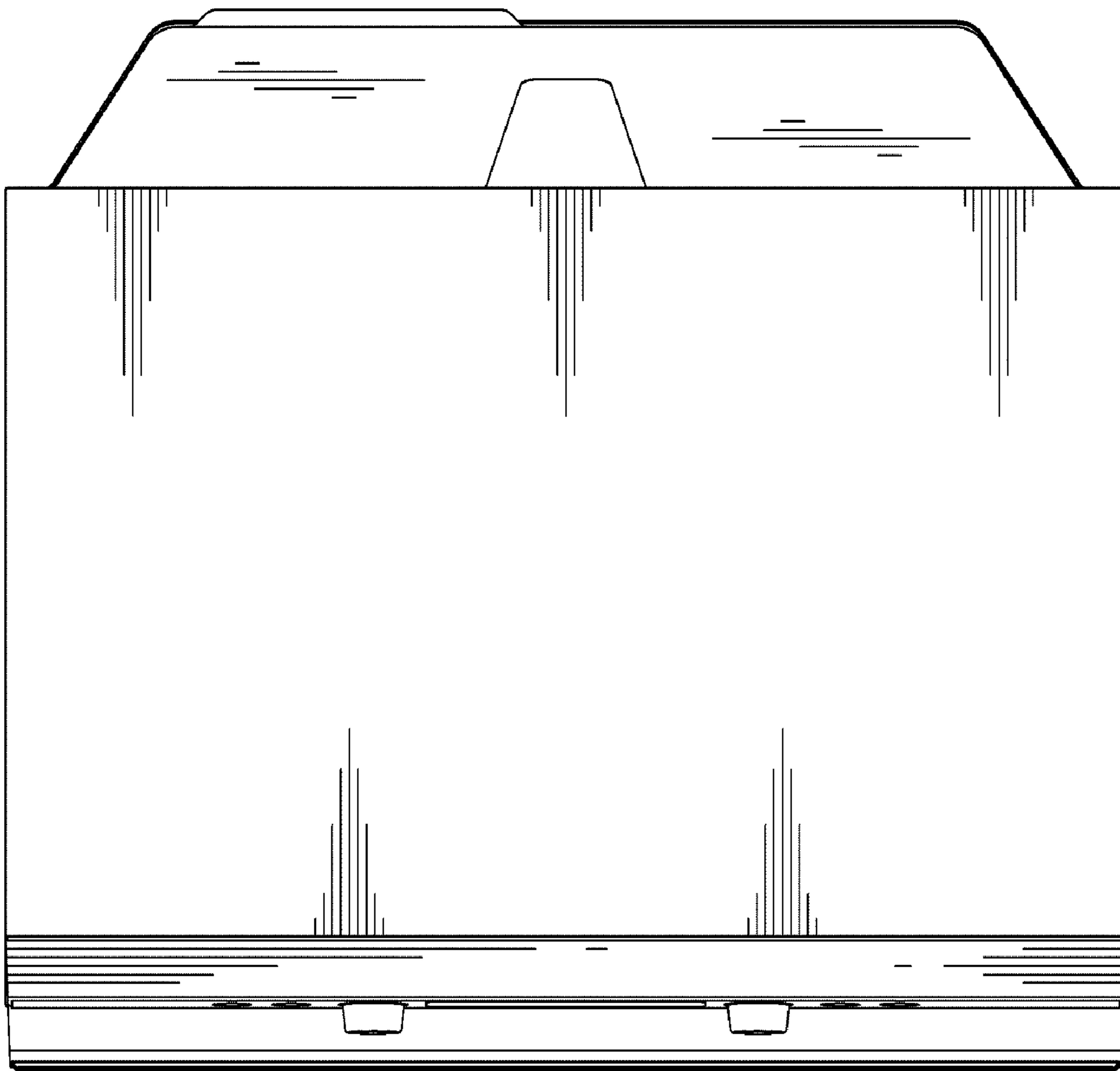


FIG. 7

