



US00D651035S

(12) **United States Design Patent**
Bleijenburg

(10) **Patent No.:** **US D651,035 S**

(45) **Date of Patent:** **** Dec. 27, 2011**

(54) **BASE UNIT FOR RECEIVING A BOTTLE**

(75) Inventor: **Gert Bleijenburg**, Bilthoven (NL)

(73) Assignee: **Difrax Beheer B.V.** (NL)

(**) Term: **14 Years**

(21) Appl. No.: **29/386,057**

(22) Filed: **Feb. 24, 2011**

(30) **Foreign Application Priority Data**

Aug. 26, 2010 (EM) 001747338-0001

(51) **LOC (9) Cl.** **07-02**

(52) **U.S. Cl.** **D7/326**

(58) **Field of Classification Search** D7/305-311,
D7/317, 323, 326, 372-373, 376-386, 412-415;
D23/356, 362; 126/261; 219/385-387, 429-436;
239/215; 241/30-37.5, 101.01-101.2, 166-169.1,
241/285.1-285.3; 261/130; 366/64-67,
366/142, 197-211, 241-254, 279-292, 341-347;
392/335

See application file for complete search history.

(56) **References Cited**

U.S. PATENT DOCUMENTS

D195,241 S * 5/1963 Chapman et al. D7/386
D195,914 S * 8/1963 Luedtke D23/356
D196,086 S * 8/1963 Stolarz D23/356
3,188,007 A * 6/1965 Myklebust 239/215
3,480,001 A * 11/1969 Briggin et al. 126/261
3,809,374 A * 5/1974 Schossow 261/130

4,288,684 A * 9/1981 Katou et al. 392/335
D279,216 S * 6/1985 Mango et al. D23/362
4,857,051 A 8/1989 Larsson
4,929,229 A 5/1990 Larsson
D309,009 S * 7/1990 Herritz D23/362
D364,676 S * 11/1995 Chiu et al. D23/356
5,616,125 A 4/1997 Jelks
D394,581 S * 5/1998 Paris D7/326
D449,877 S * 10/2001 Delmenico et al. D23/356
6,376,327 B2 4/2002 Sandhu et al.
6,440,100 B1 8/2002 Prentiss
6,673,036 B1 1/2004 Britto
2004/0199107 A1 10/2004 Nuesch
2005/0043677 A1 2/2005 Kelly et al.
2006/0270937 A1 11/2006 Koyrakh et al.
2008/0208116 A1 8/2008 Dao et al.

* cited by examiner

Primary Examiner — Ricky Pham

(74) *Attorney, Agent, or Firm* — Altera Law Group, LLC

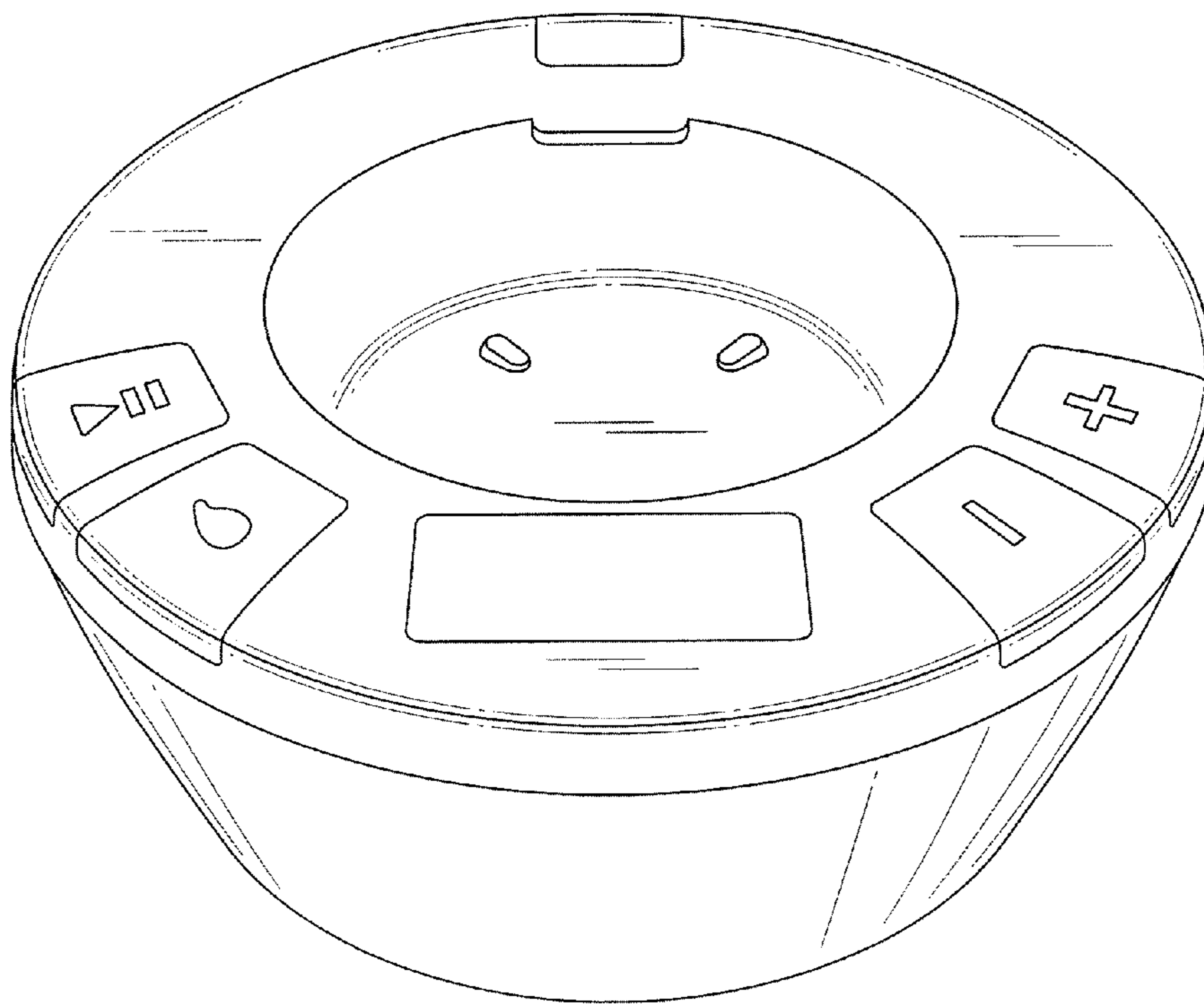
(57) **CLAIM**

The ornamental design for a a base unit for receiving a bottle,
as shown and described.

DESCRIPTION

FIG. 1 is a front view of the a base unit for receiving a bottle.
FIG. 2 is a back view thereof.
FIG. 3 is a side view thereof.
FIG. 4 is the other side view thereof.
FIG. 5 is a top view thereof.
FIG. 6 is a bottom view thereof. The white portions are not
ornamentation and form no part of the design; and,
FIG. 7 is a perspective view thereof.

1 Claim, 7 Drawing Sheets



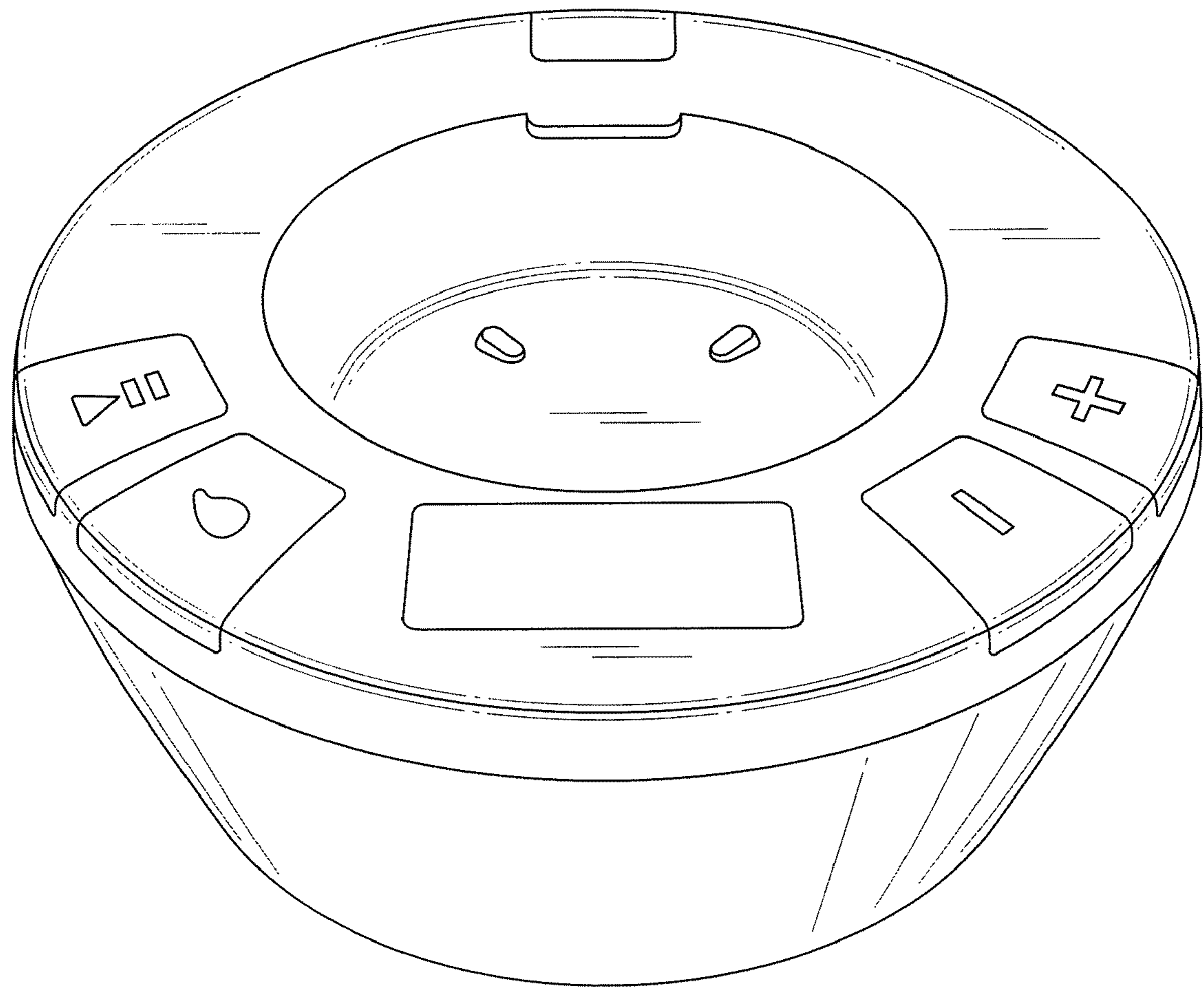


Fig. 1

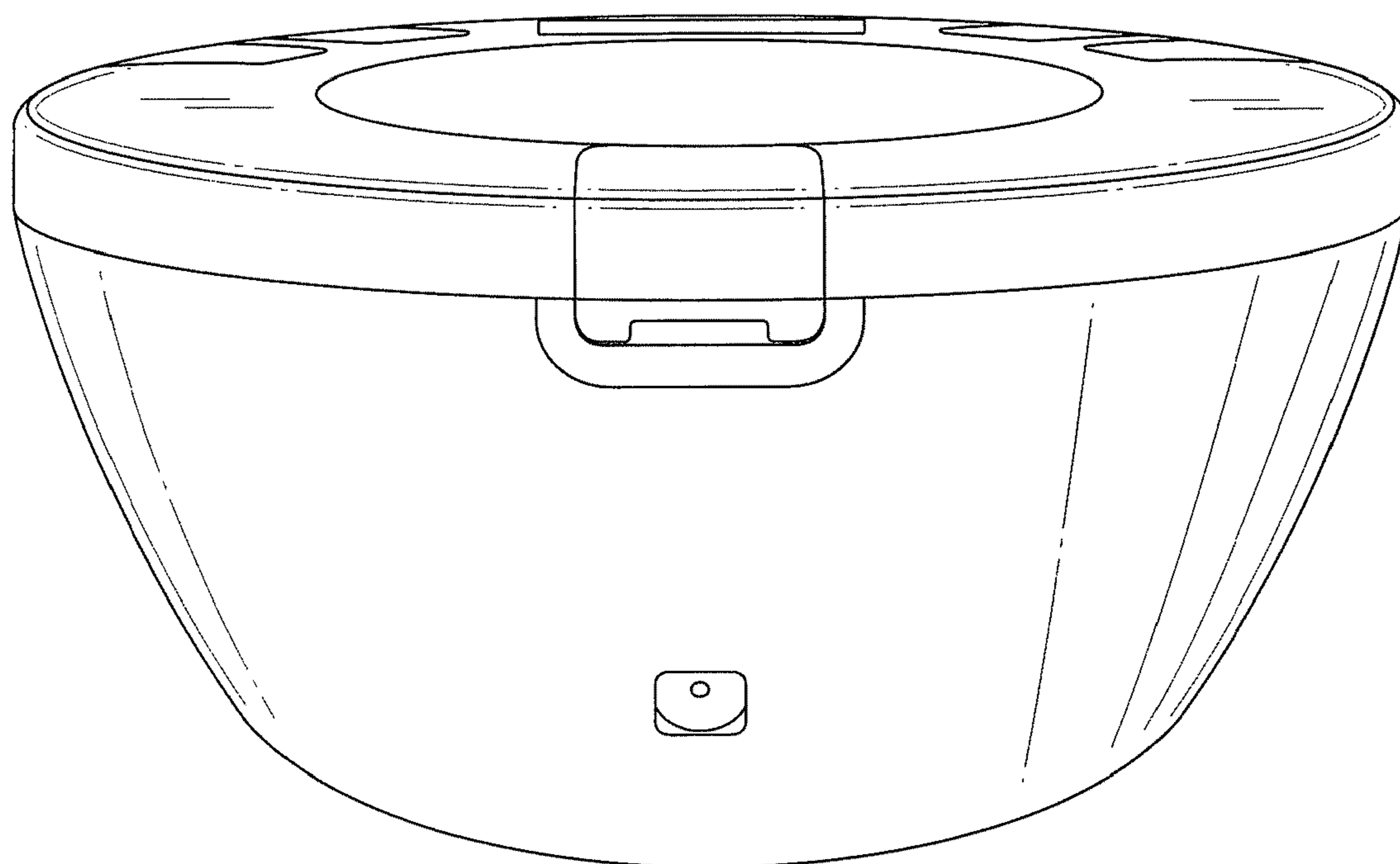


Fig. 2

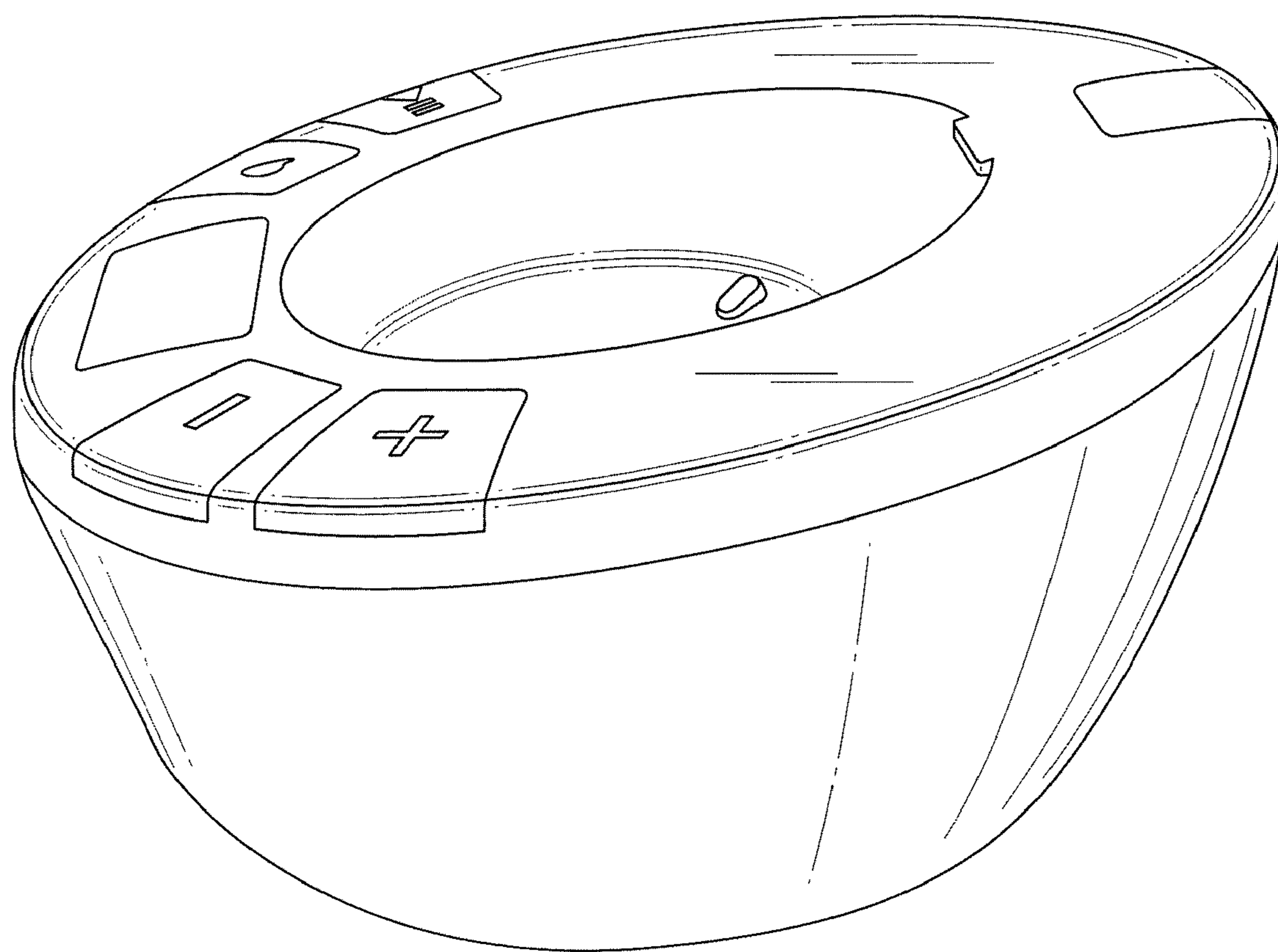


Fig. 3

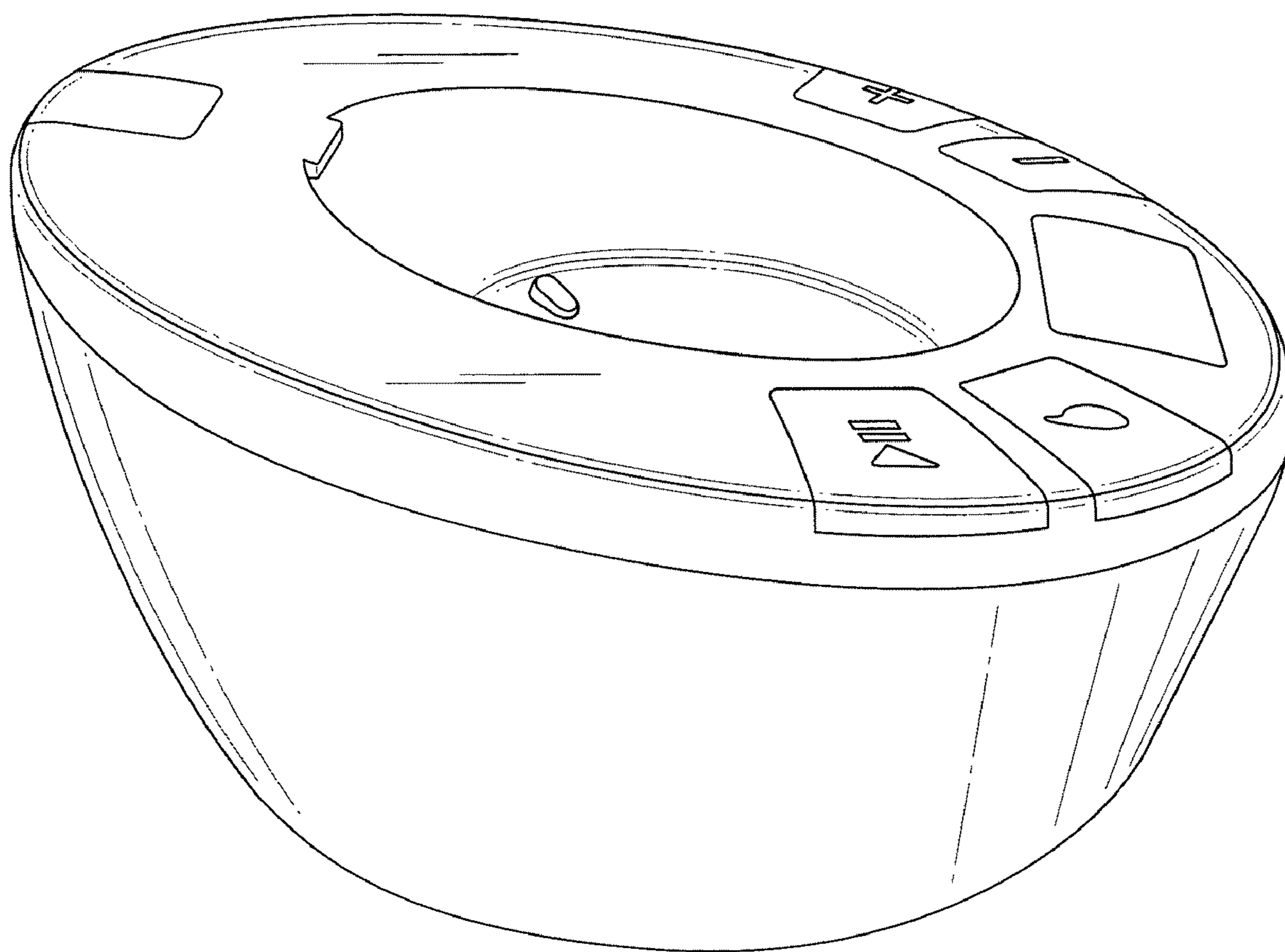


Fig. 4

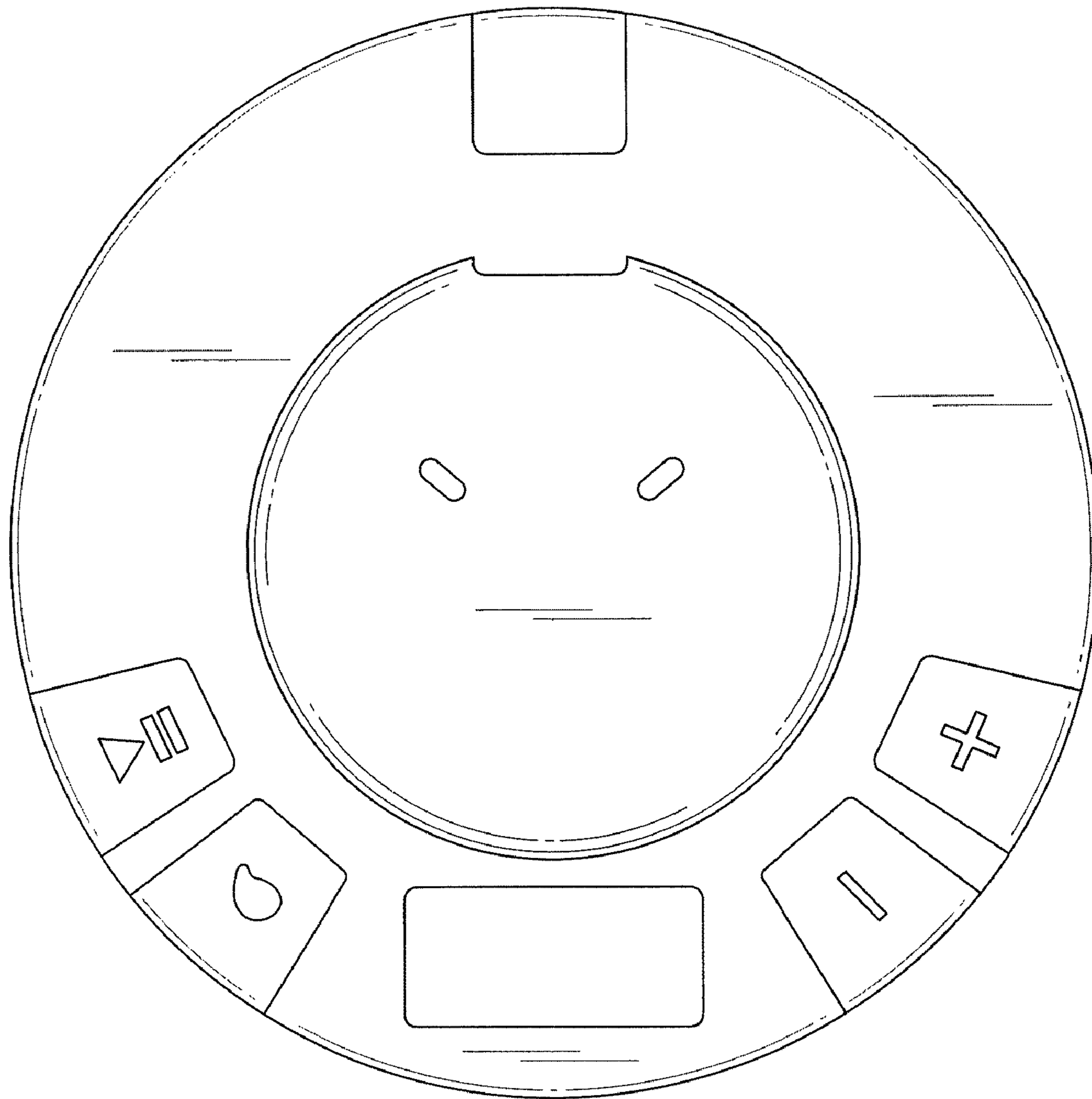


Fig. 5

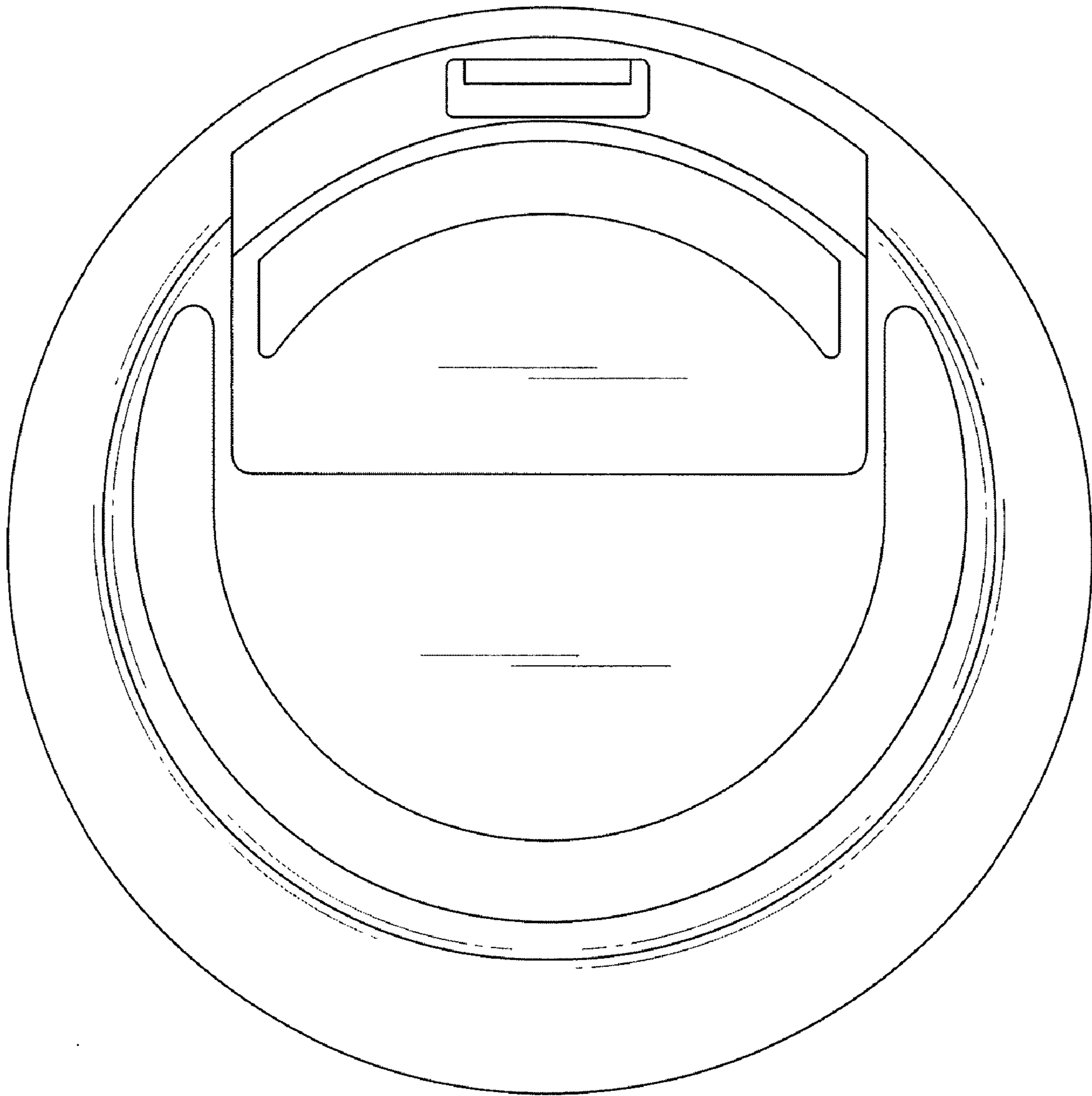


Fig. 6

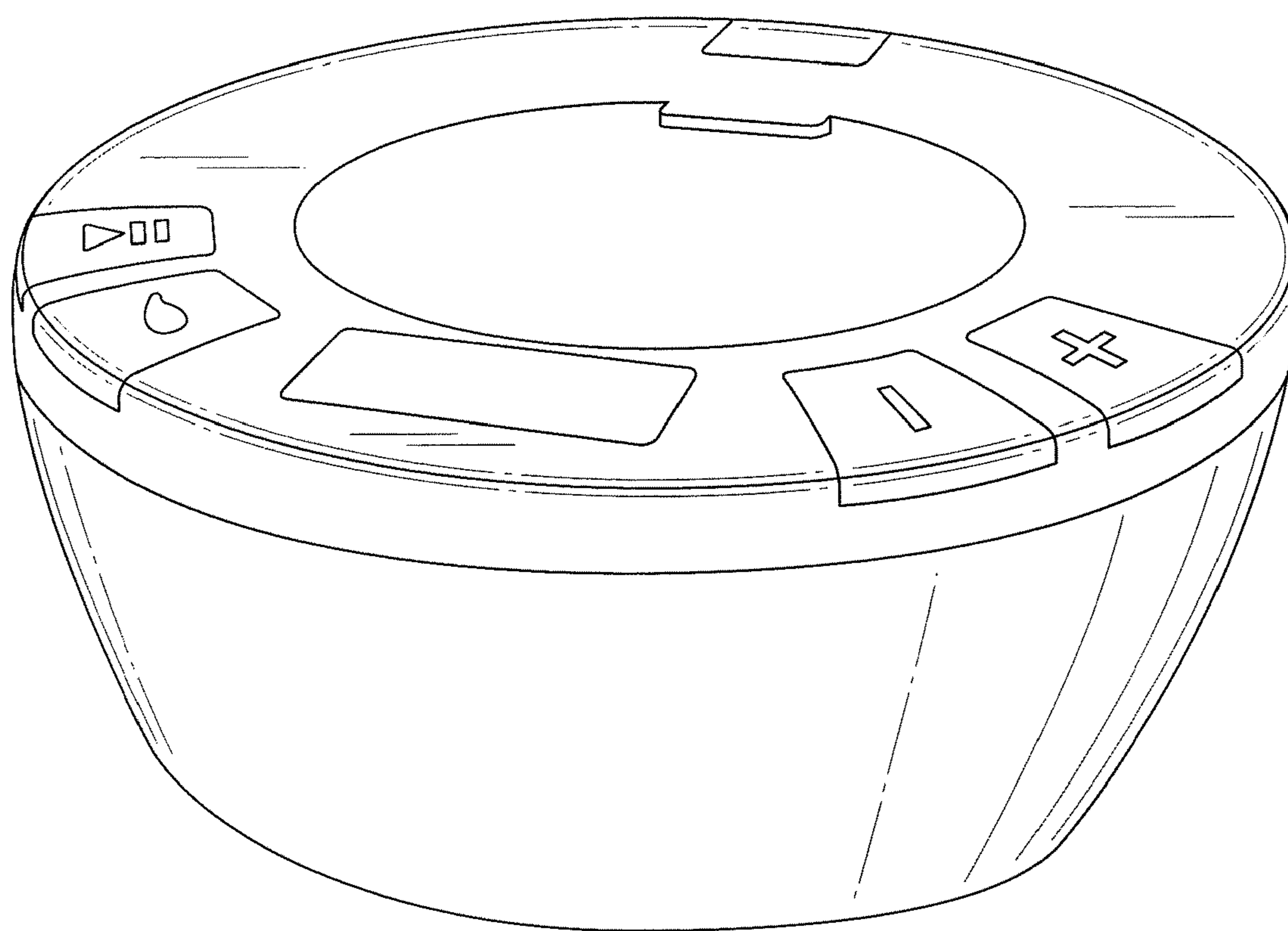


Fig. 7