



US00D651031S

(12) **United States Design Patent**  
**Kozak et al.**

(10) **Patent No.:** **US D651,031 S**

(45) **Date of Patent:** **\*\* Dec. 27, 2011**

(54) **PRODUCT DISPLAY RACK**

(76) Inventors: **Burton Kozak**, Chicago, IL (US); **Ira Kozak**, Riverwoods, IL (US)

(\*\*) Term: **14 Years**

(21) Appl. No.: **29/365,676**

(22) Filed: **Jul. 13, 2010**

(51) **LOC (9) Cl.** ..... **06-04**

(52) **U.S. Cl.** ..... **D6/566**

(58) **Field of Classification Search** ..... D6/512-514,  
D6/566, 553, 567, 569, 315, 320, 327; D8/349,  
D8/354, 367, 372; 248/301-304, 309.1,  
248/309.2; 211/13.1, 30, 32, 70.6, 56.01,  
211/87.01, 181.1

See application file for complete search history.

(56) **References Cited**

**U.S. PATENT DOCUMENTS**

- D418,349 S \* 1/2000 Schumacher ..... D6/566
- D457,014 S \* 5/2002 Miller ..... D6/566
- D462,220 S \* 9/2002 Battaglia et al. .... D6/566
- D533,002 S \* 12/2006 Recknagel et al. .... D6/566

- D533,745 S \* 12/2006 Rodrigue ..... D6/566
- D547,138 S \* 7/2007 Goodman et al. .... D6/566
- D547,955 S \* 8/2007 Johnson et al. .... D6/566

\* cited by examiner

*Primary Examiner* — Brian N Vinson

(74) *Attorney, Agent, or Firm* — Factor Intellectual Property Law Group

(57) **CLAIM**

The ornamental design of a product display rack, as shown.

**DESCRIPTION**

FIG. 1 is an isometric view from the front and to one side of a first embodiment of a product display rack;

FIG. 2 is a side elevation view of the right side (when viewed from the front) of the product display rack of FIG. 1;

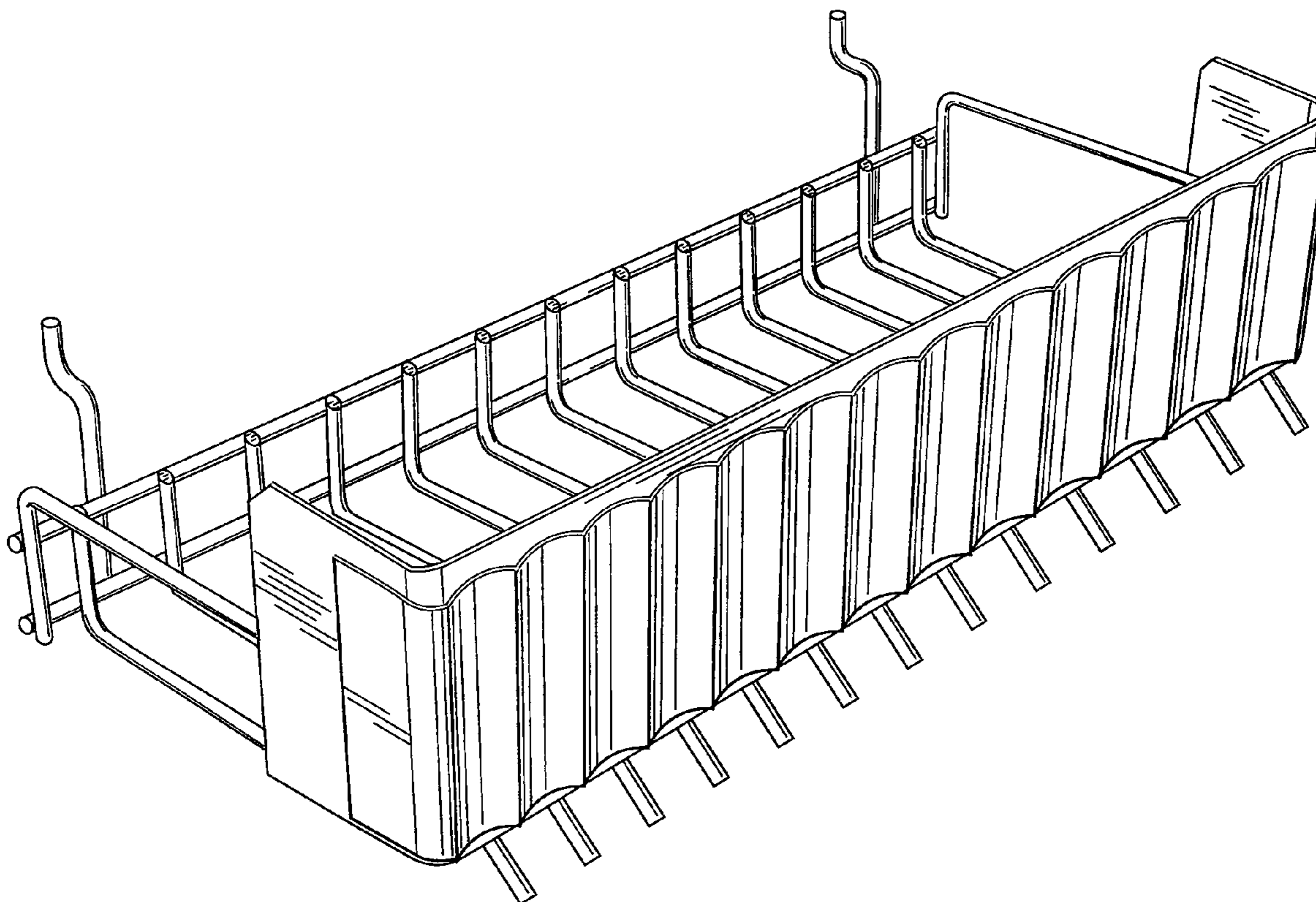
FIG. 3 is a front elevation view of the product display rack of FIG. 1;

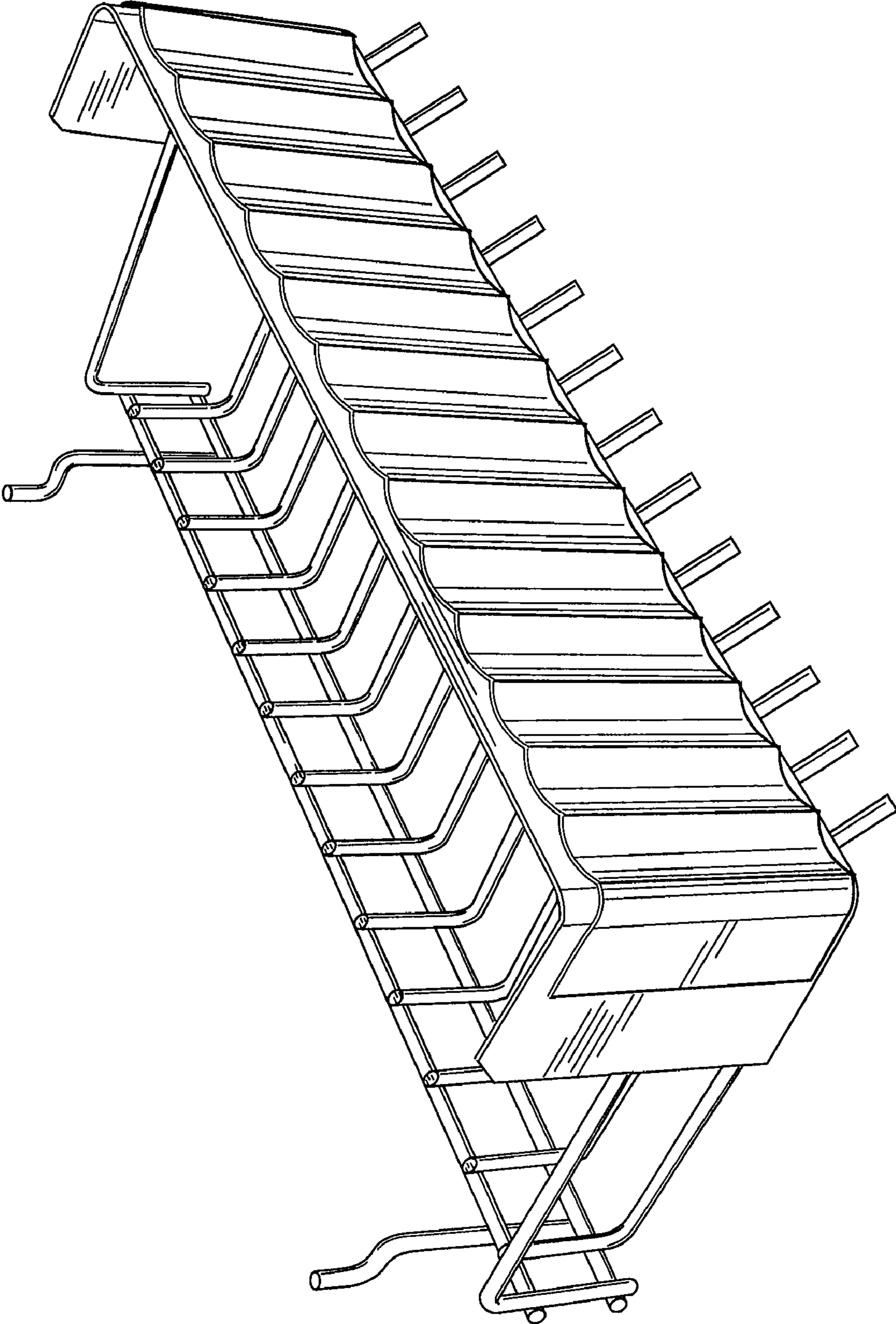
FIG. 4 is a rear elevation view of the of the product display rack of FIG. 1;

FIG. 5 is a top plan view of the product display rack of FIG. 1; and,

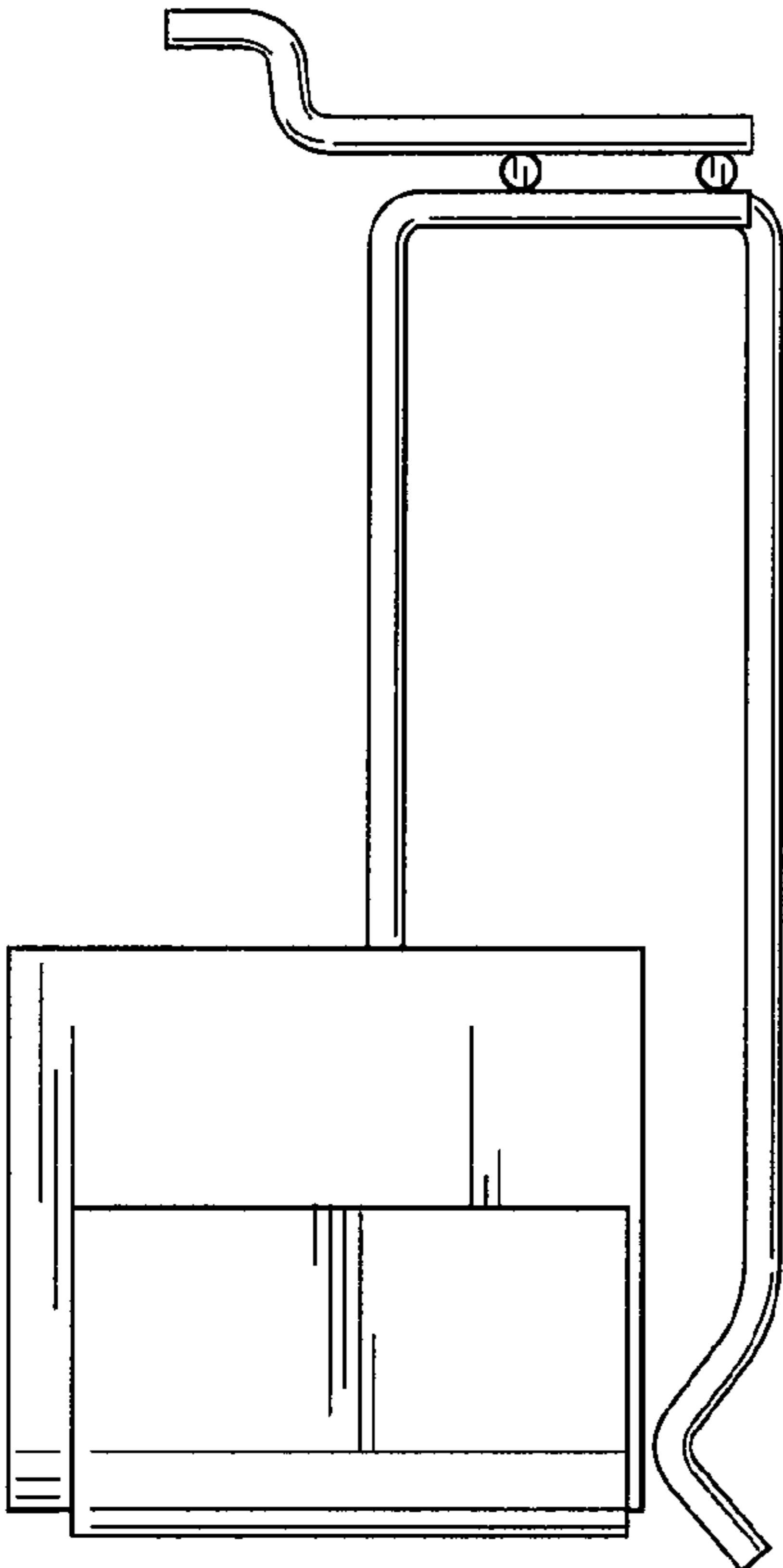
FIG. 6 is a bottom plan view of the product display rack of FIG. 1.

**1 Claim, 5 Drawing Sheets**

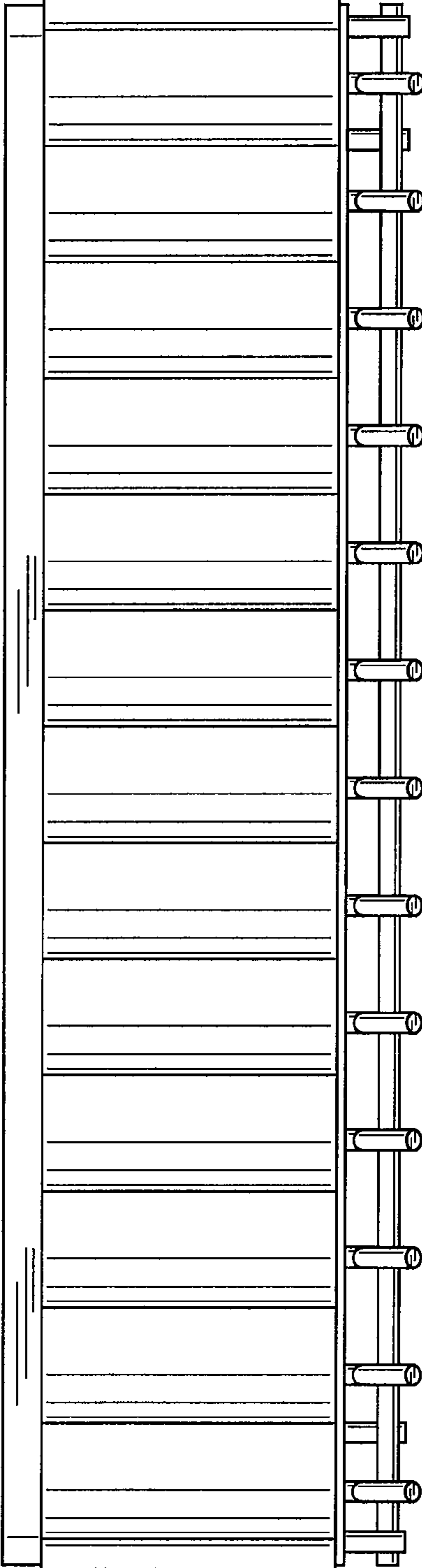




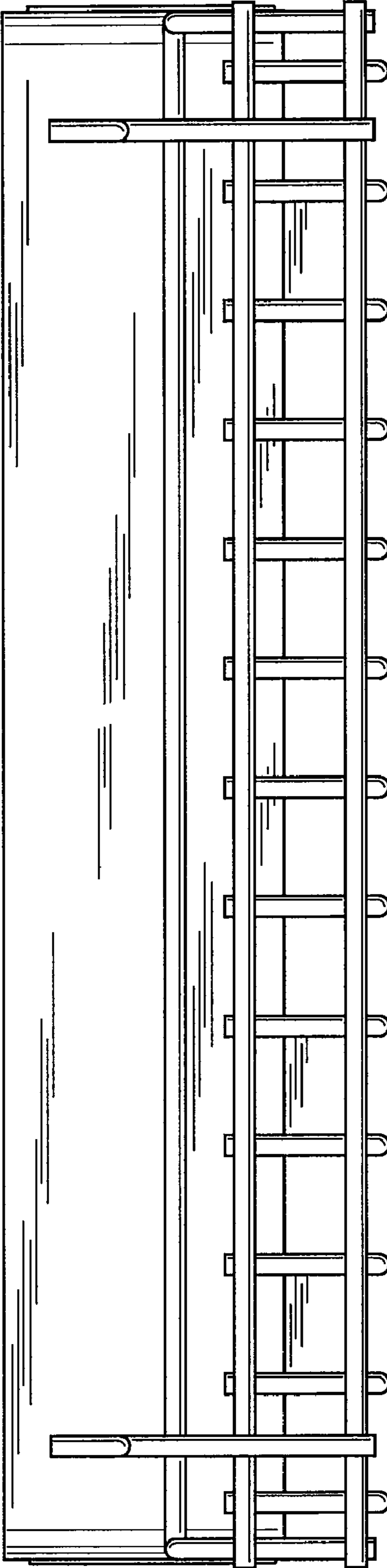
**FIG. 1**



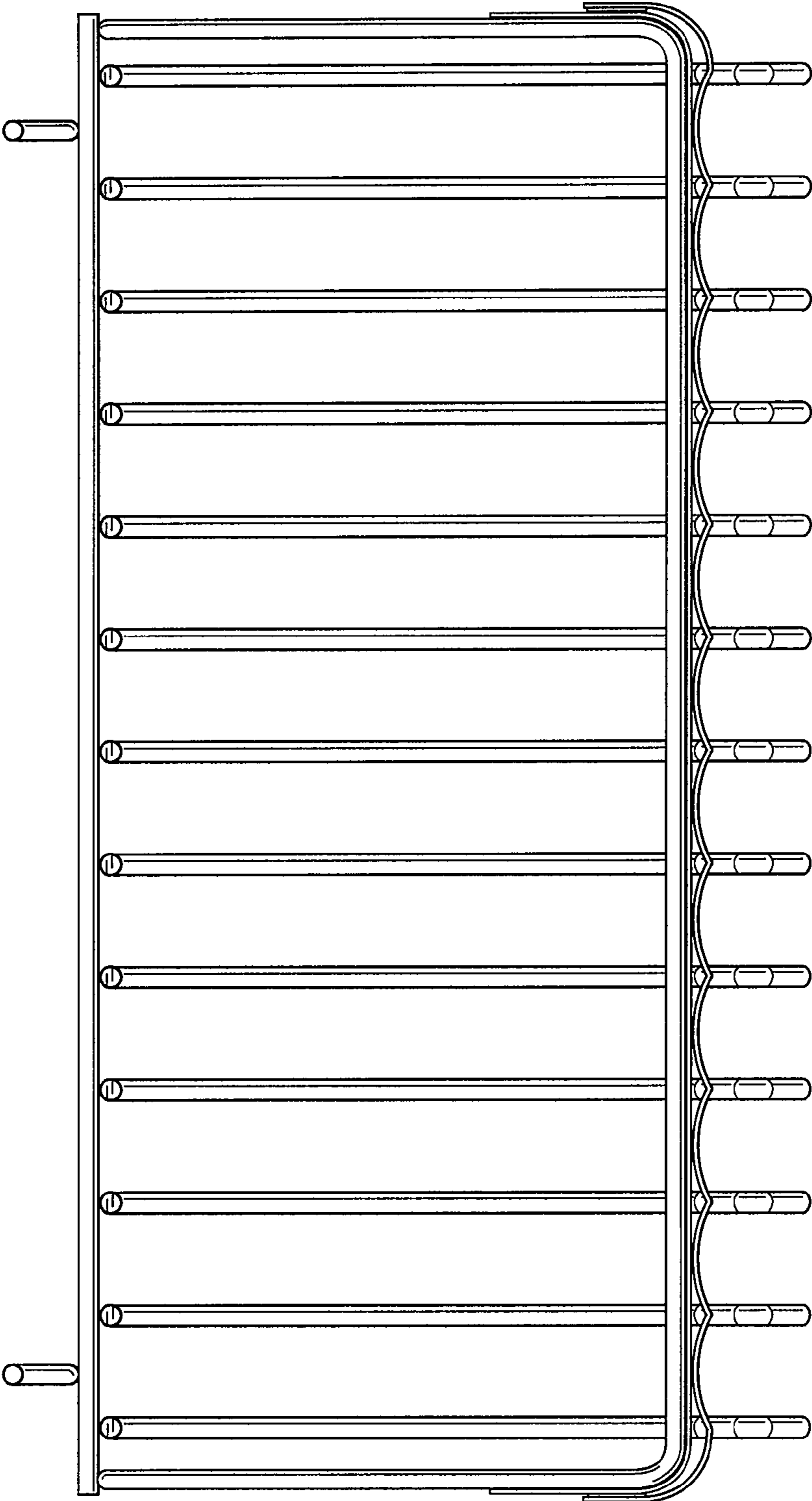
**FIG. 2**



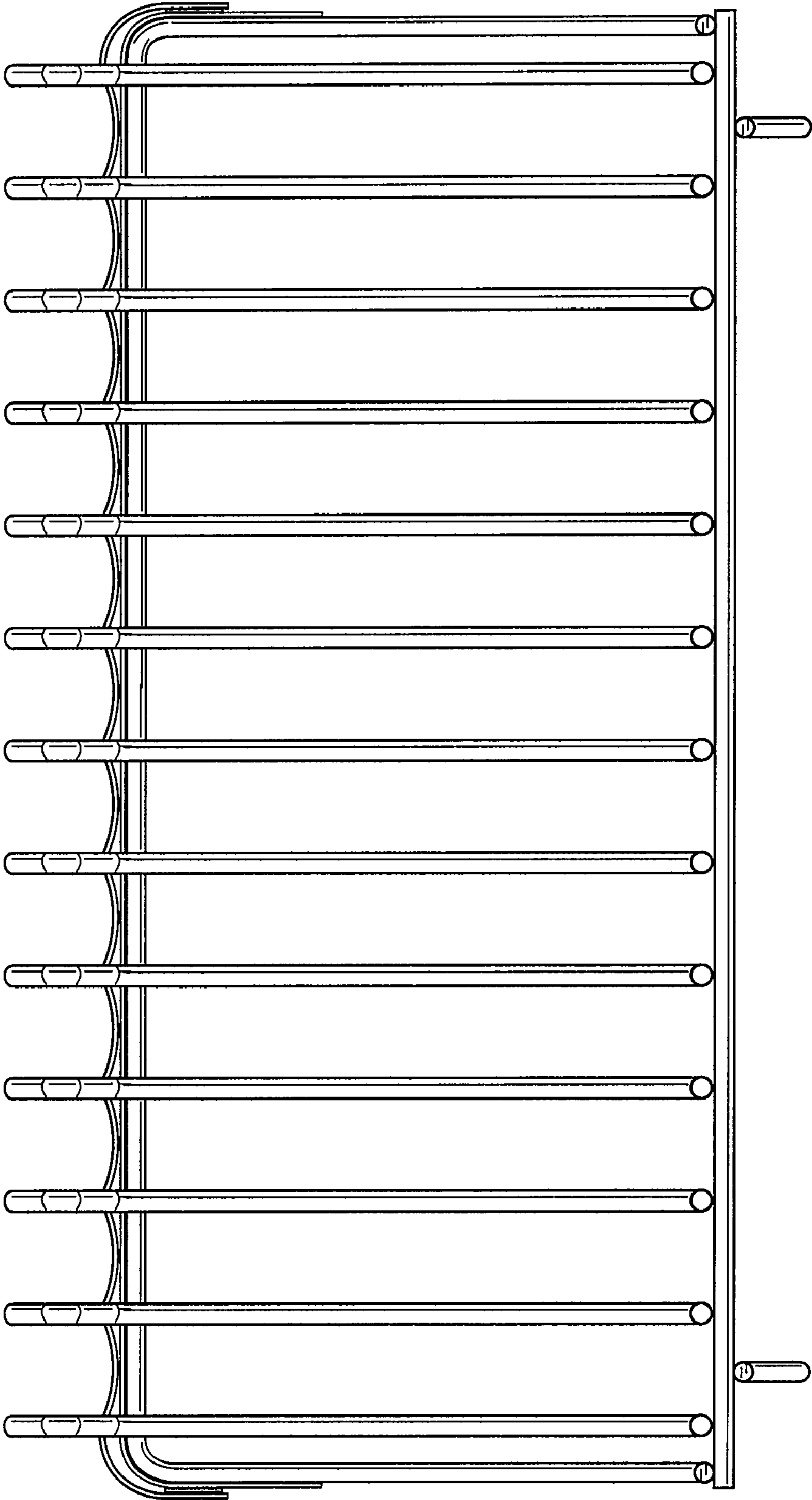
**FIG. 3**



**FIG. 4**



**FIG. 5**



**FIG. 6**