



US00D651030S

(12) **United States Design Patent**  
**Heroux**

(10) **Patent No.:** **US D651,030 S**

(45) **Date of Patent:** **\*\* Dec. 27, 2011**

(54) **COLLAPSIBLE OVER THE DOOR RACK**

*Primary Examiner* — Brian N Vinson

(75) Inventor: **Steve Heroux**, South Burlington, VT  
(US)

(73) Assignee: **HIP Innovations, LLC**, Willston, VT  
(US)

(\*\*) Term: **14 Years**

(21) Appl. No.: **29/372,240**

(22) Filed: **Nov. 1, 2010**

(51) **LOC (9) Cl.** ..... **06-04**

(52) **U.S. Cl.** ..... **D6/549; D6/513**

(58) **Field of Classification Search** ..... D6/512-514,  
D6/553, 567, 548, 549; 211/13.1, 34-39,  
211/85.31, 113; 248/309.1, 309.2

See application file for complete search history.

(56) **References Cited**

U.S. PATENT DOCUMENTS

D354,412 S *	1/1995	Emery .....	D6/514
D526,520 S *	8/2006	Clucas .....	D6/514
D542,065 S *	5/2007	Snell .....	D6/514
D579,247 S *	10/2008	Heroux .....	D6/513
D582,708 S *	12/2008	Goodman et al. ....	D6/513
D598,218 S *	8/2009	Siegel .....	D6/513
D618,023 S *	6/2010	Goodman et al. ....	D6/549

\* cited by examiner

(57) **CLAIM**

The ornamental design for a collapsible over the door rack, as shown and described.

**DESCRIPTION**

FIG. 1 is a perspective view of a collapsible over the door rack showing my new design;  
 FIG. 2 is a front view thereof;  
 FIG. 3 is a left side view thereof;  
 FIG. 4 is a right side view thereof;  
 FIG. 5 is a top view thereof;  
 FIG. 6 is a bottom view thereof;  
 FIG. 7 is a back view thereof;  
 FIG. 8 is an open perspective view thereof;  
 FIG. 9 is an open front view thereof;  
 FIG. 10 is an open left side view thereof;  
 FIG. 11 is an open right side view thereof;  
 FIG. 12 is an open top view thereof;  
 FIG. 13 is an open bottom view thereof; and,  
 FIG. 14 is an open back view.

**1 Claim, 14 Drawing Sheets**

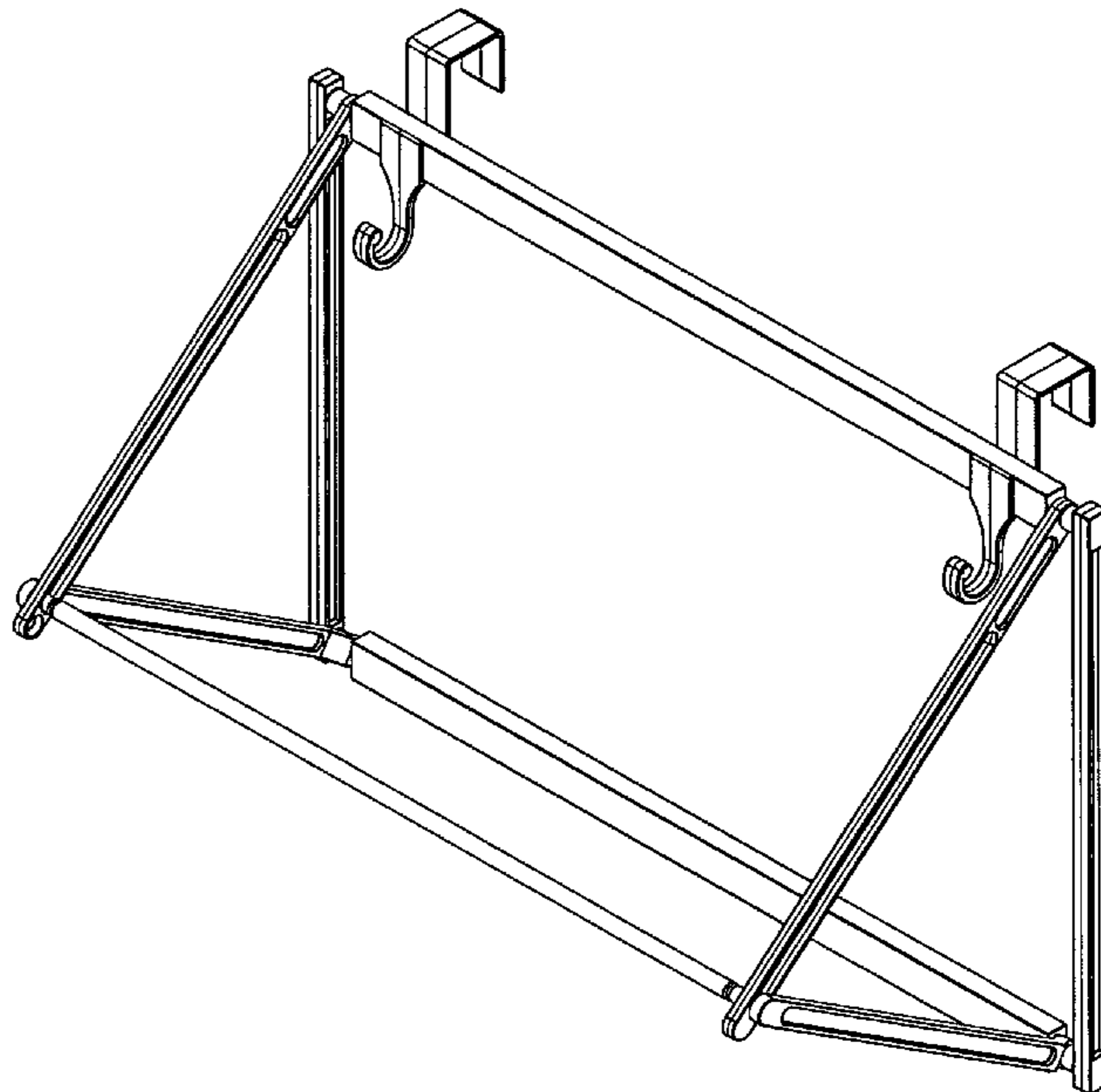
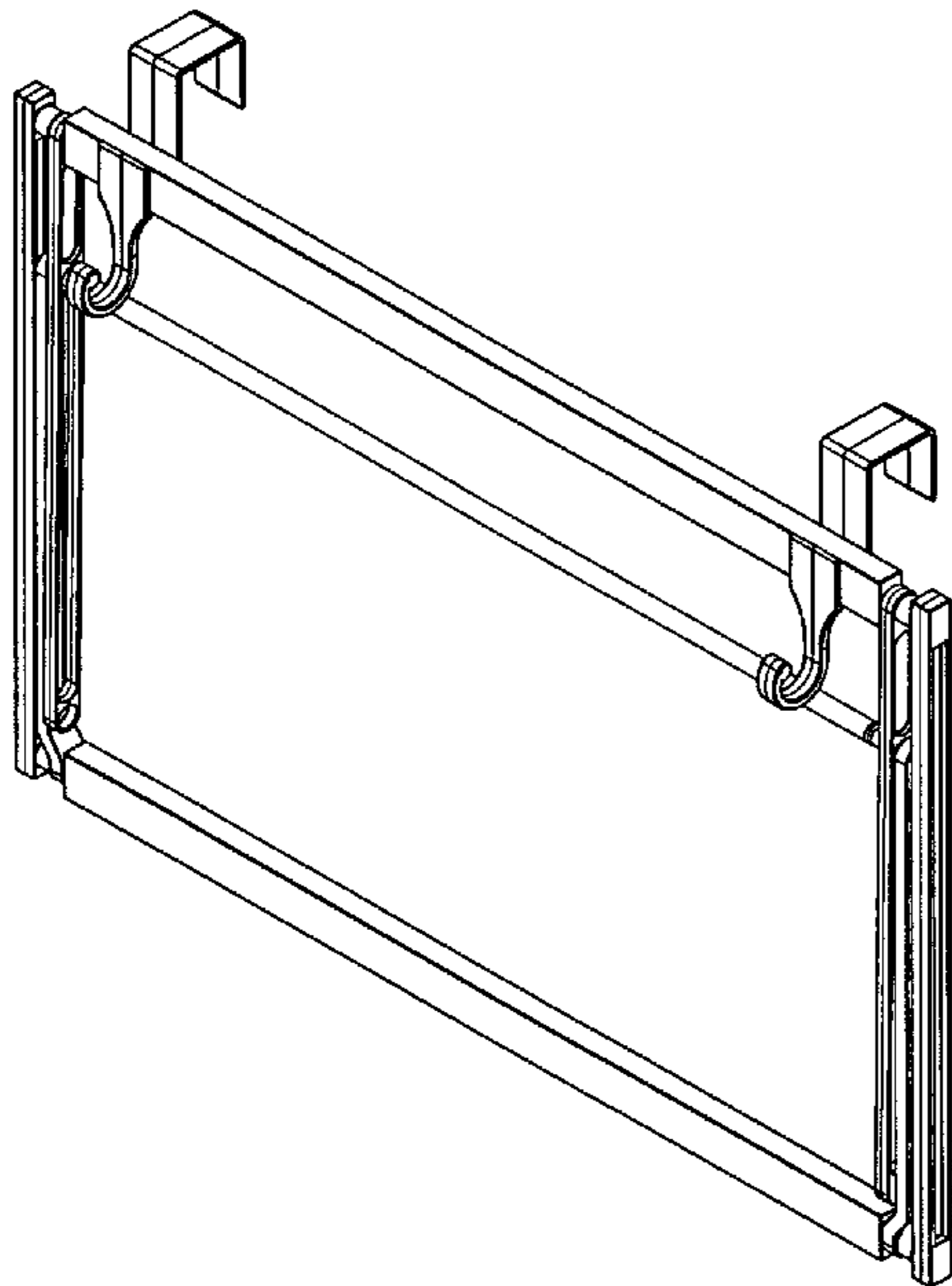


Fig 1

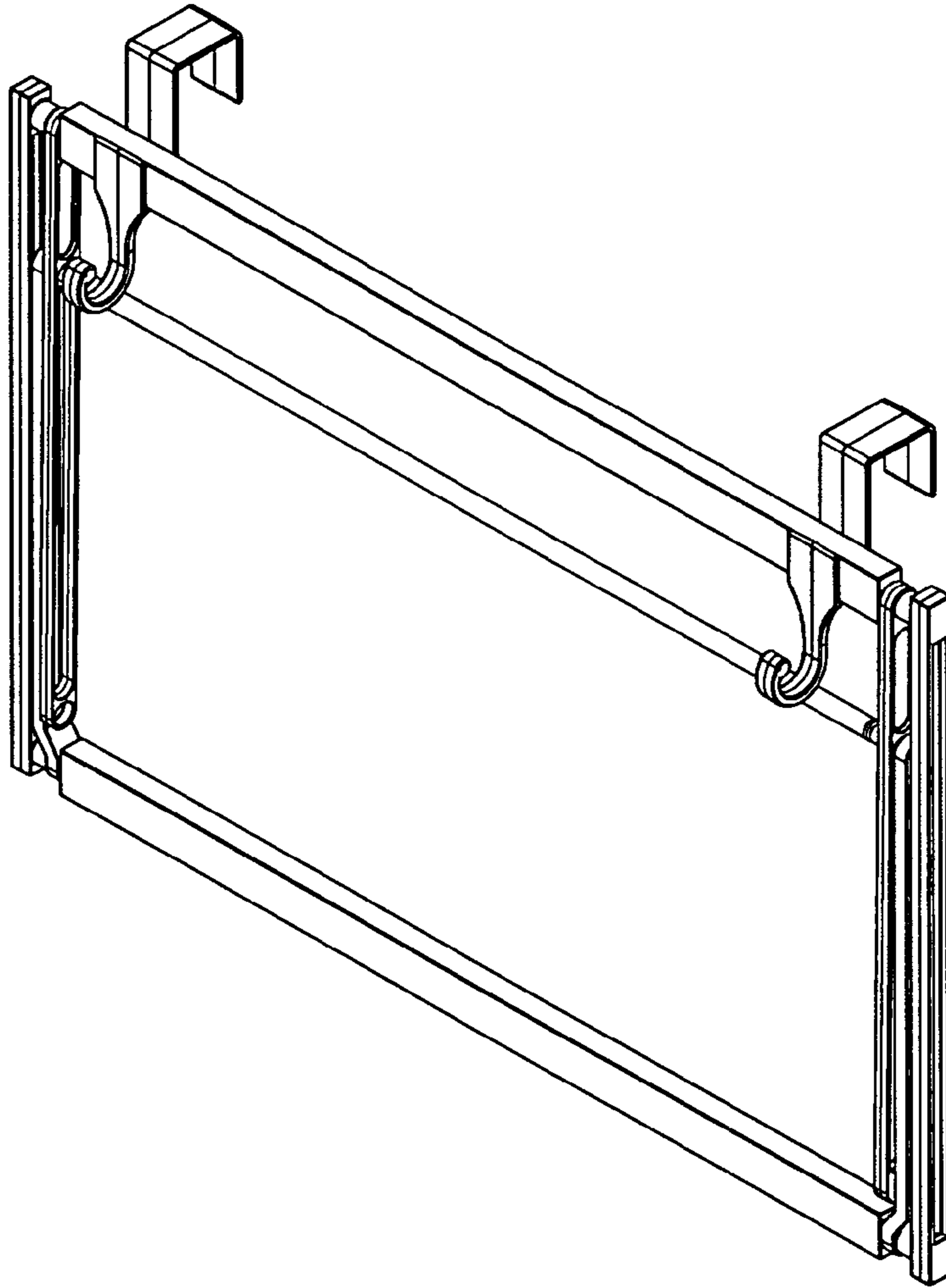


Fig 2

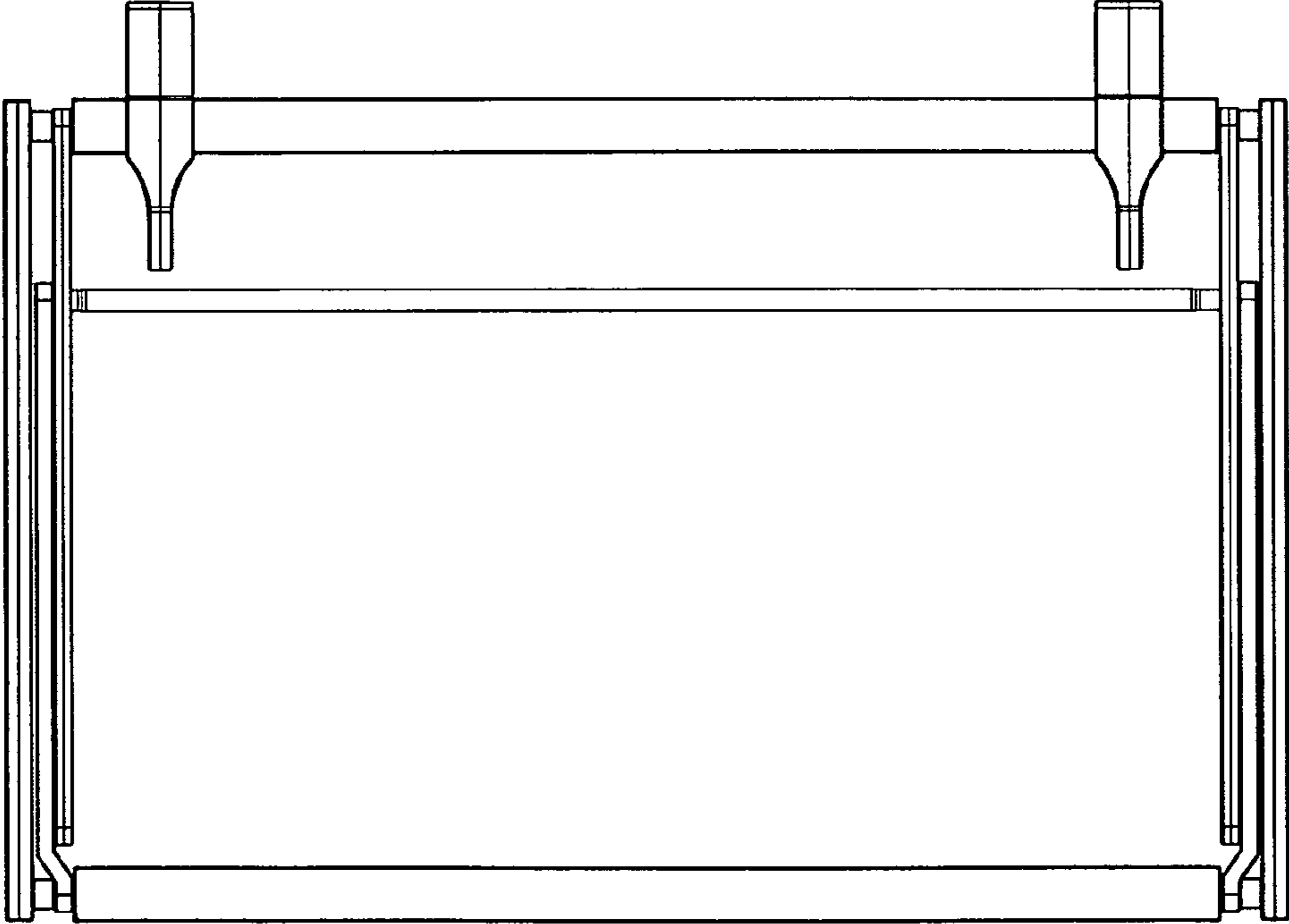


Fig 3

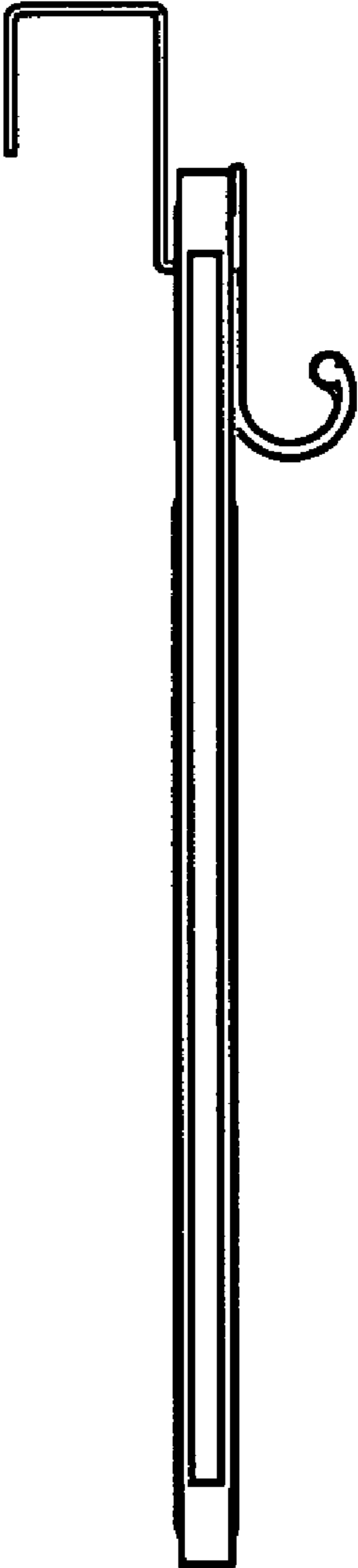


Fig 4

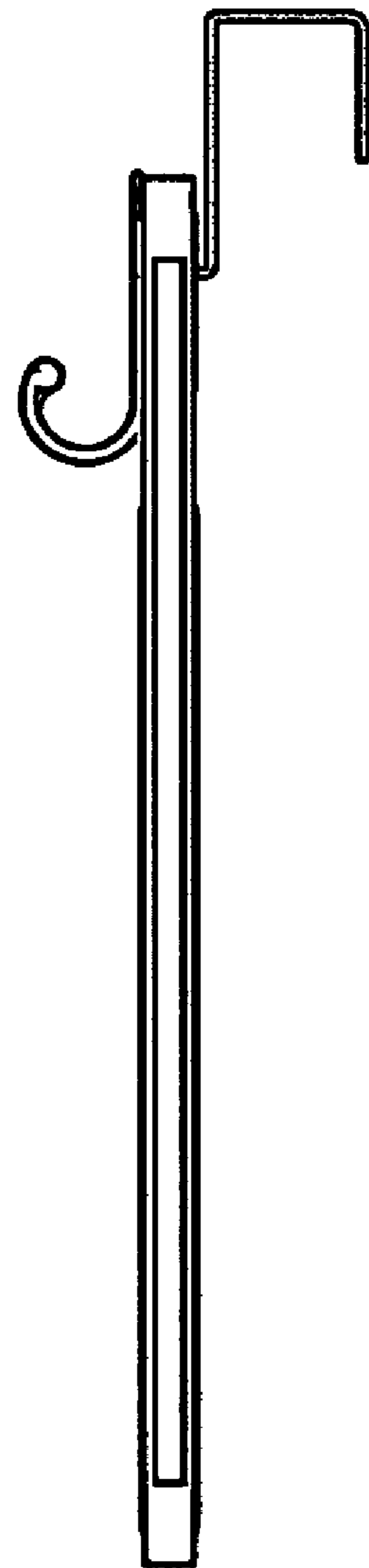


Fig 5

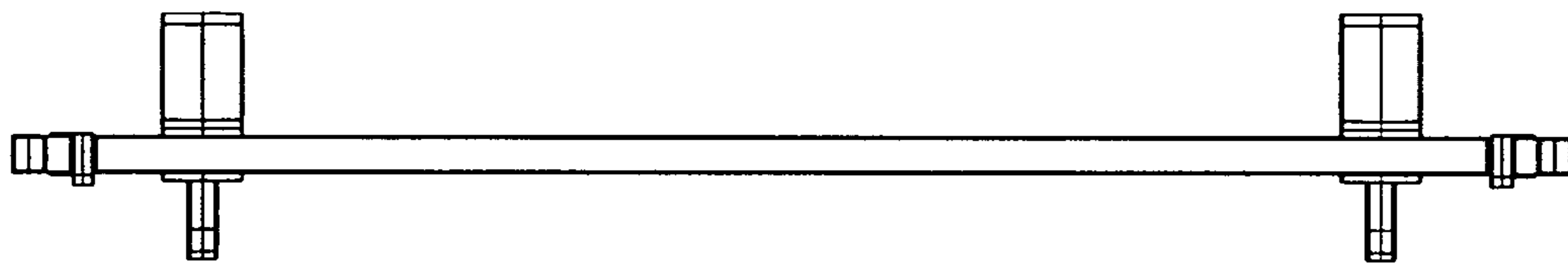


Fig 6

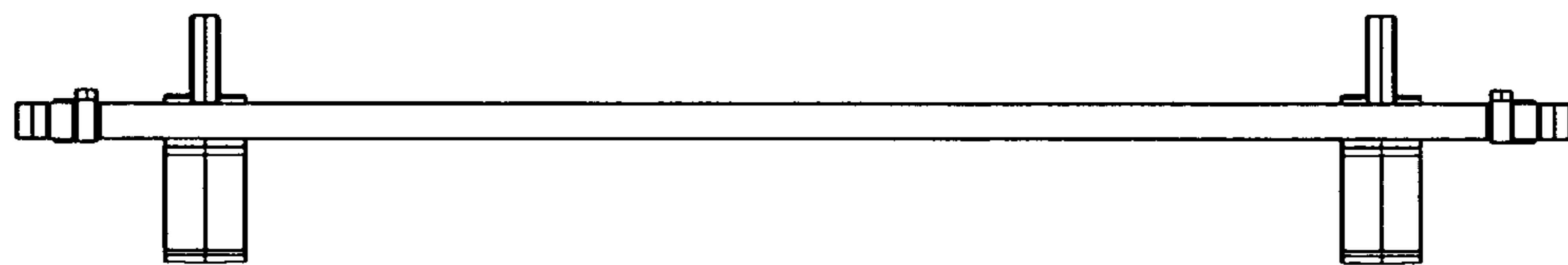


Fig 7

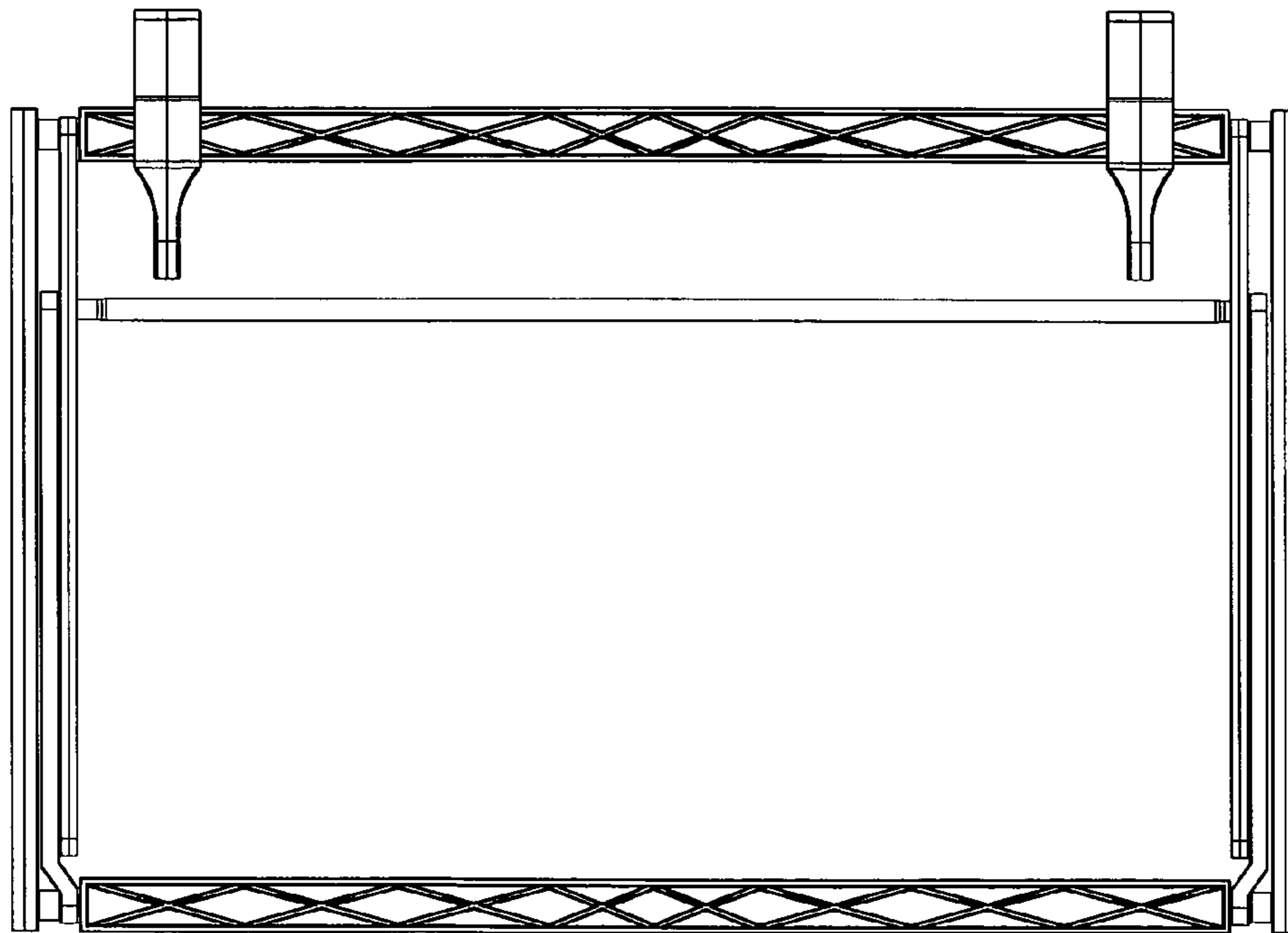




Fig 8

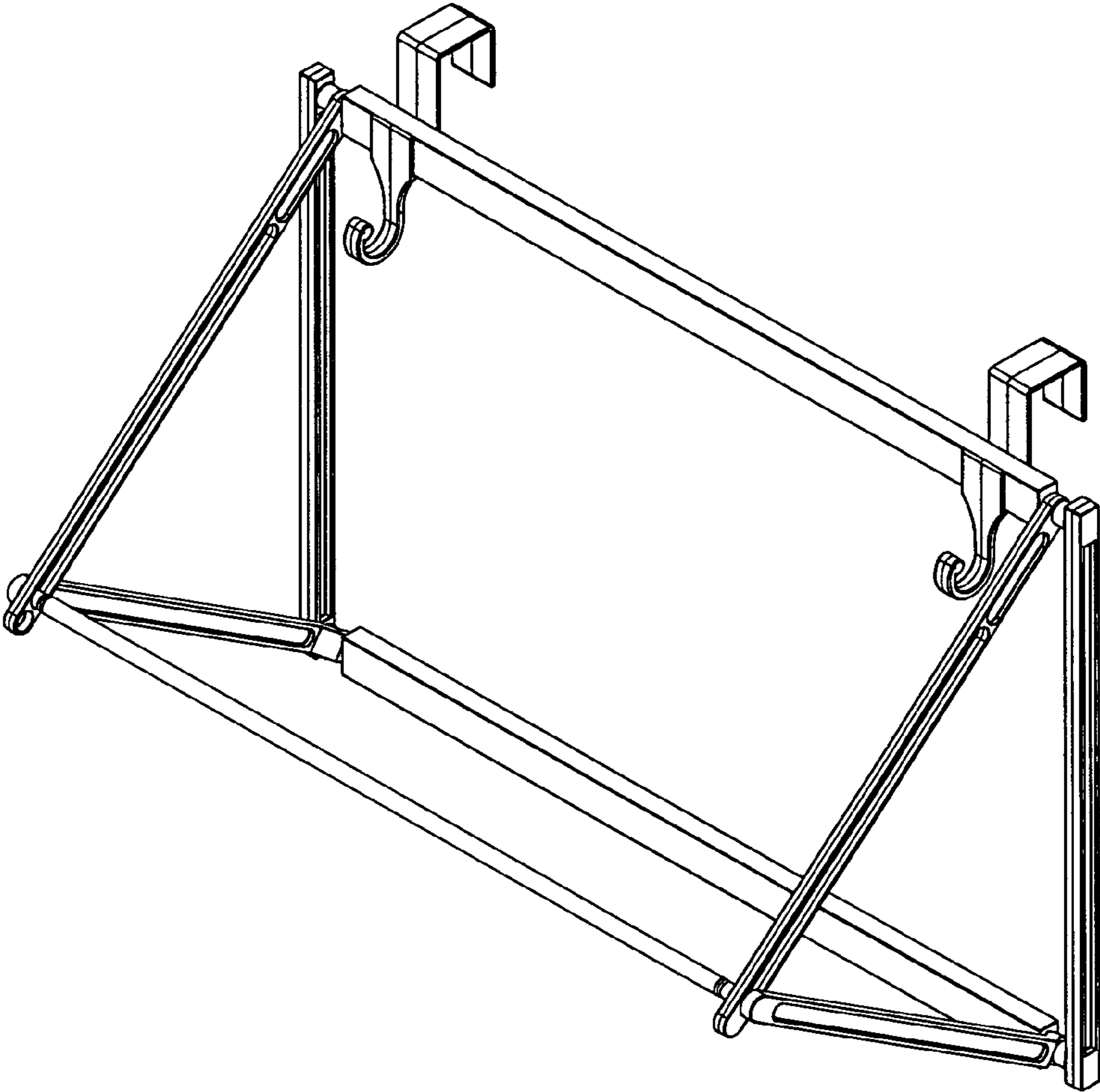


Fig 9

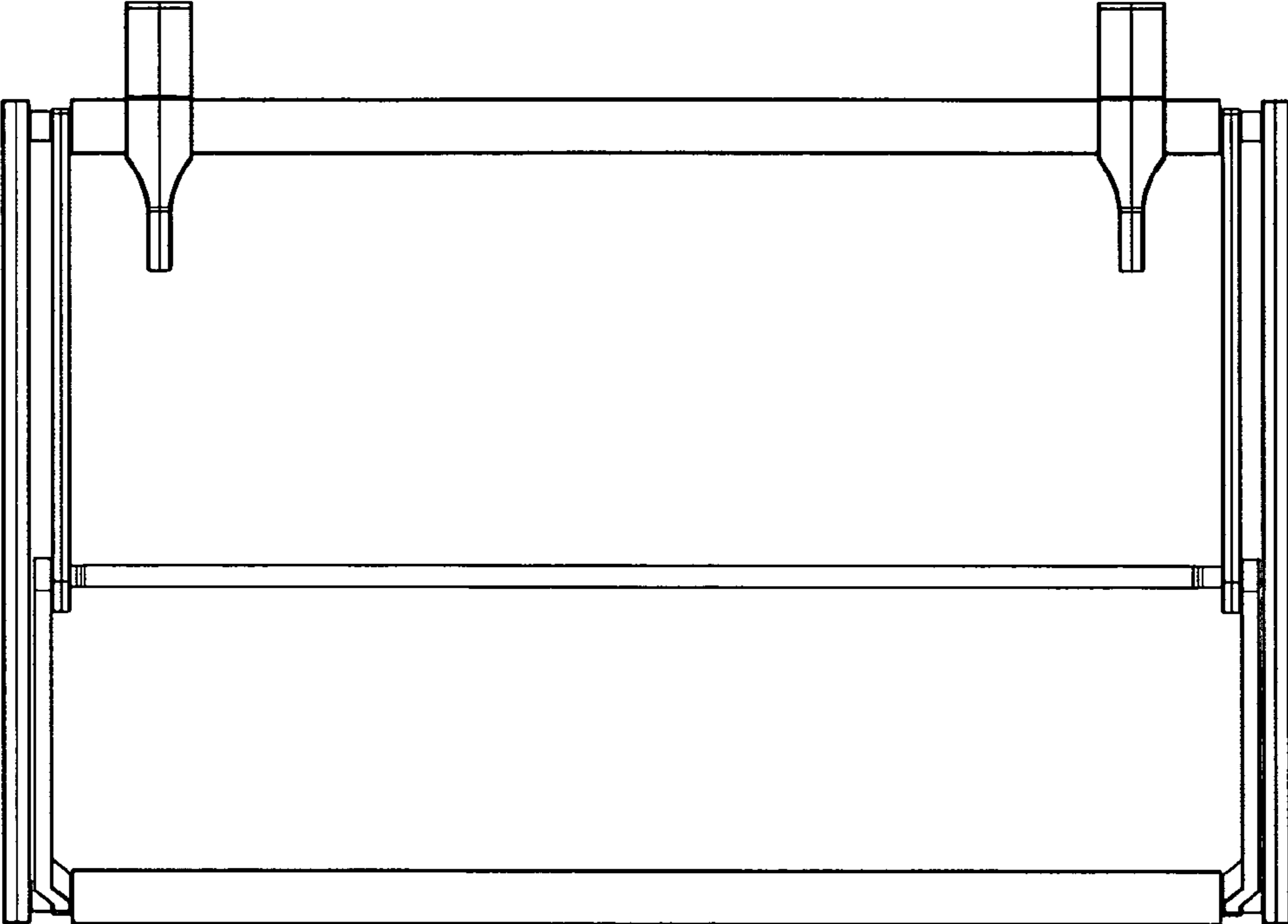


Fig 10

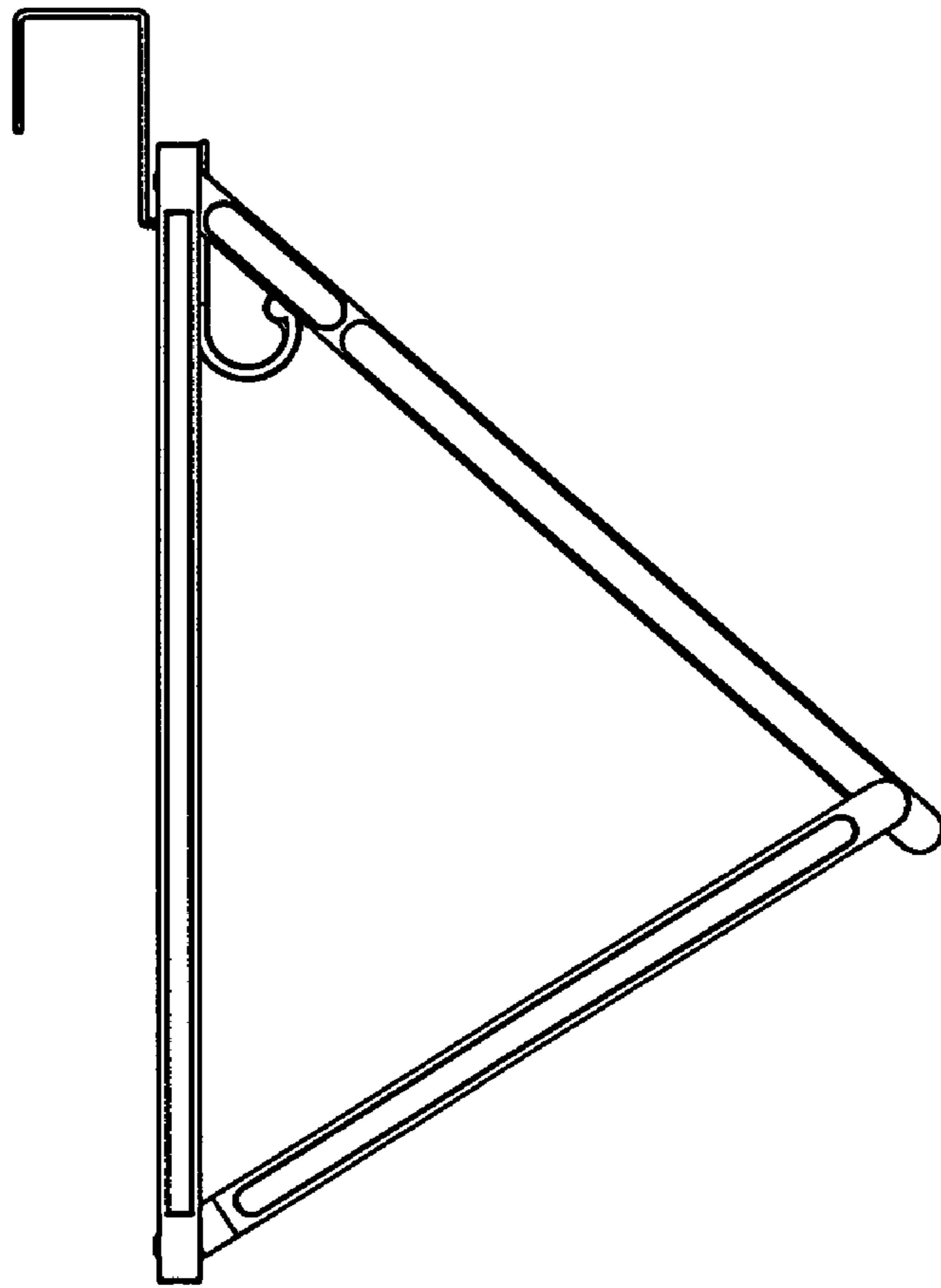


Fig 11

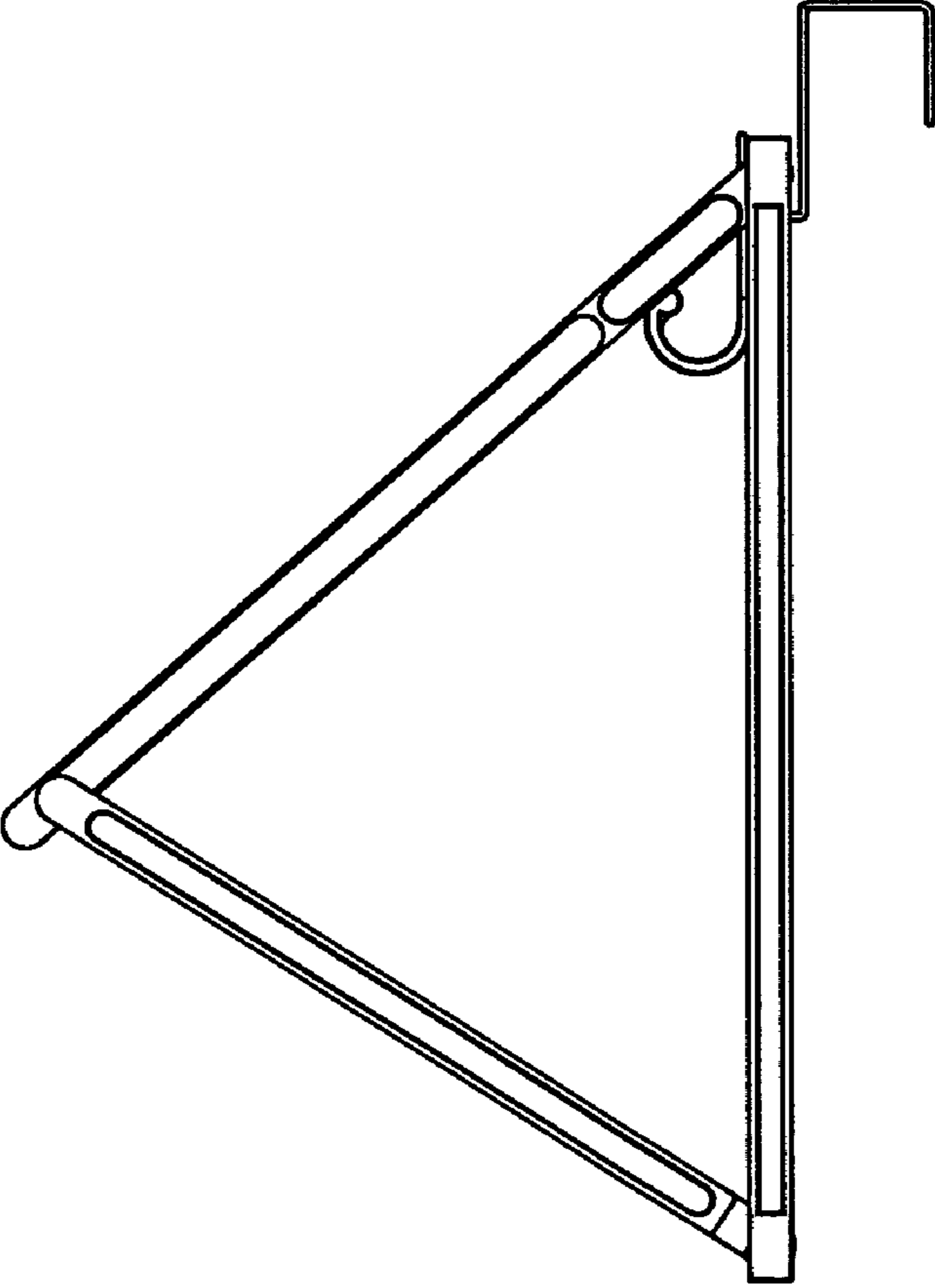
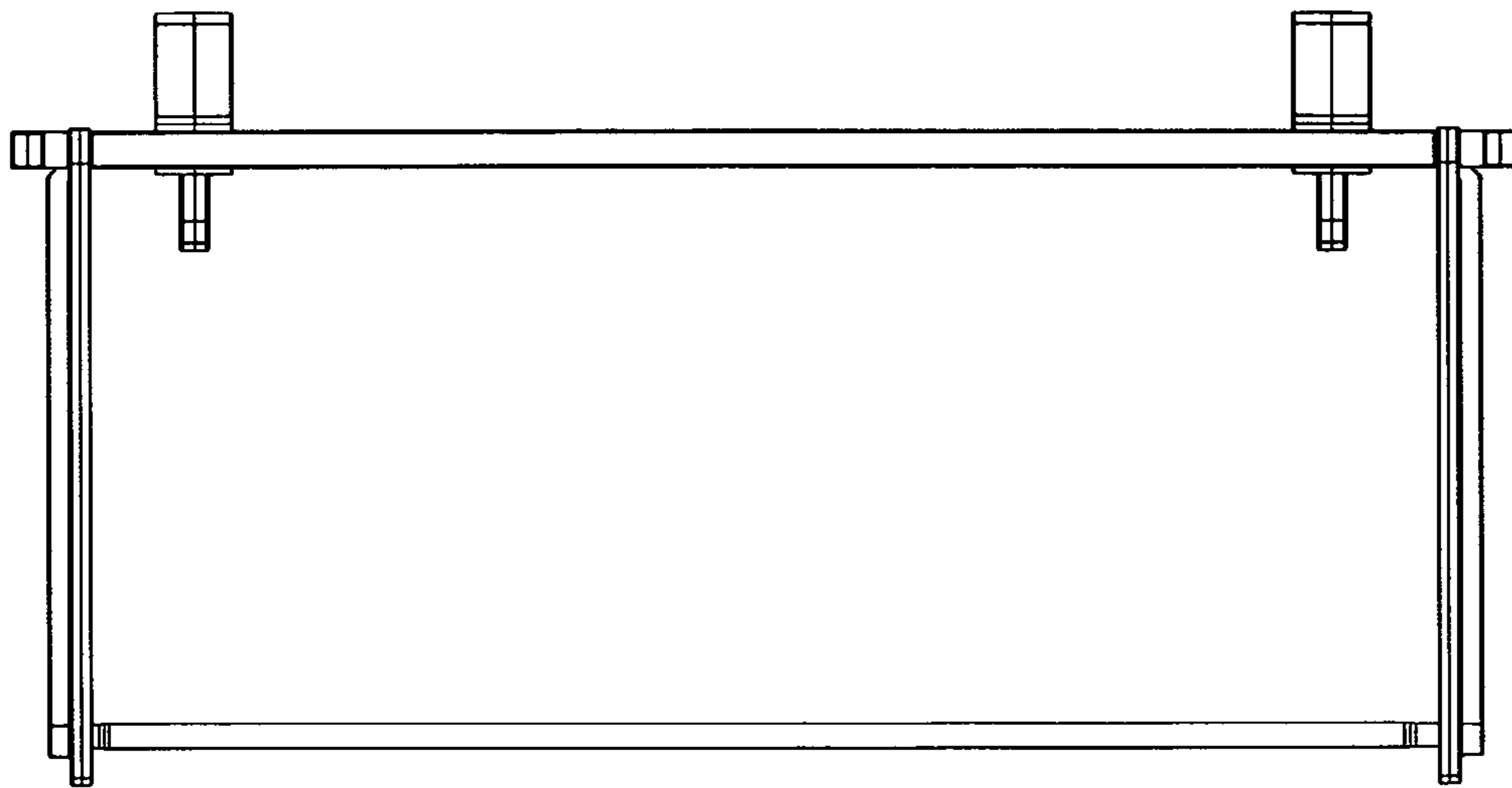


Fig 12



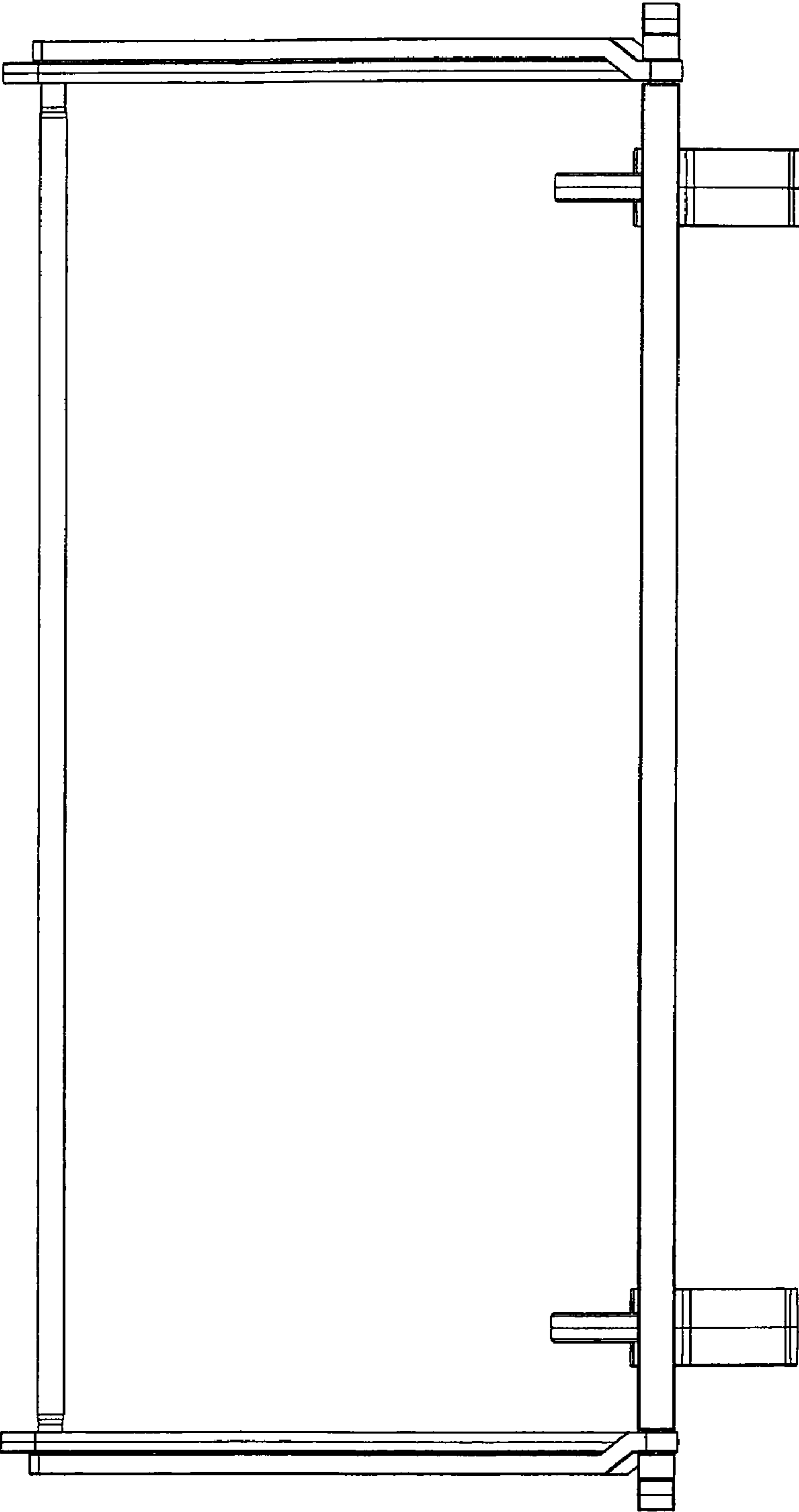


Fig 13

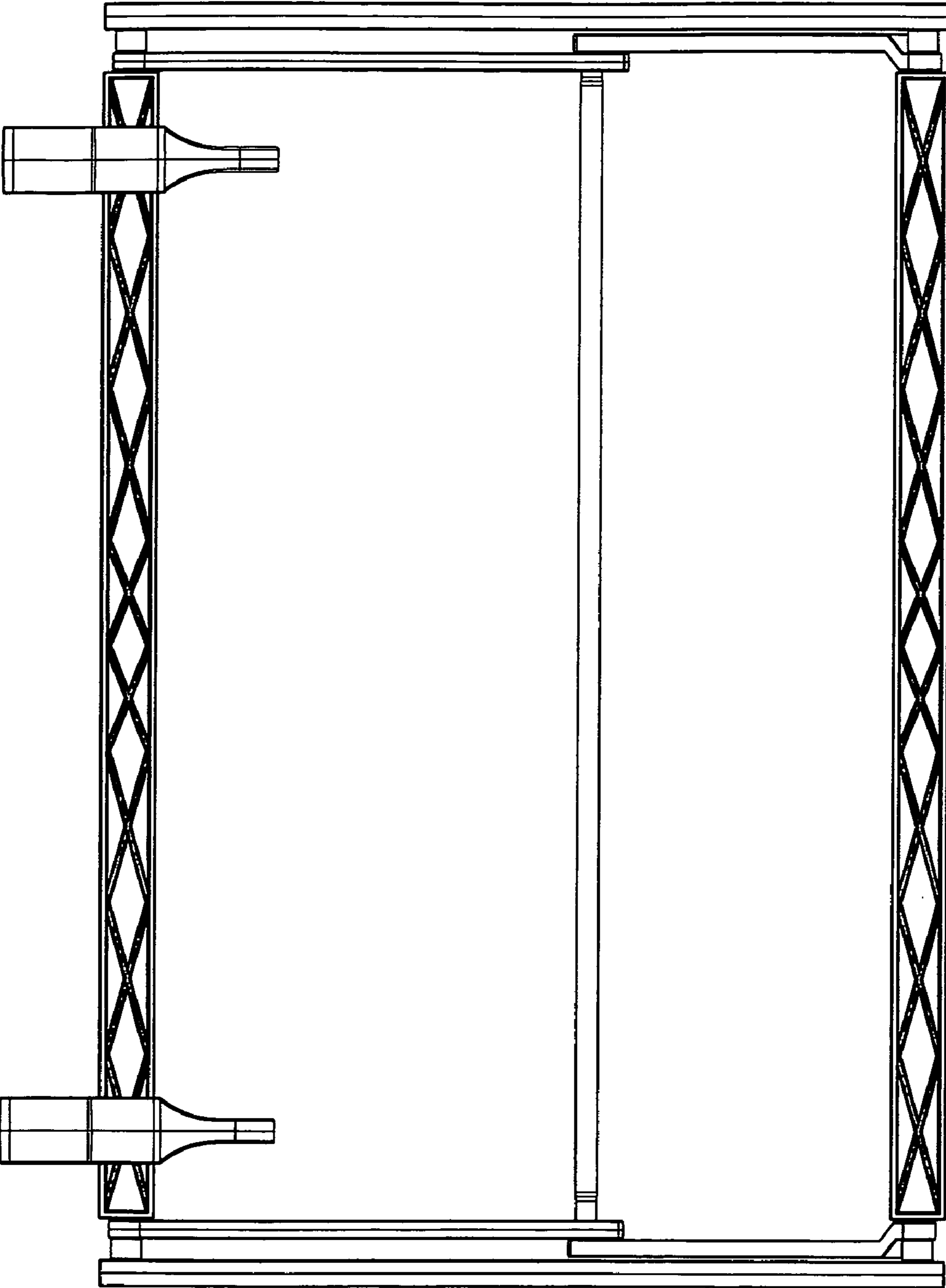


Fig 14